



## RDS

**Watts: 75W**  
**Type: IV, V**  
**Color Temp: 4000K (Neutral)**  
**CRI: 71**  
**L70: Lifespan: 100,000**  
**Lumens: 9075 Lumens**

### Listings

**UL Listing:**  
Suitable for wet locations

**DLC Listed:**  
This product is on the DESIGN Lights Consortium (DLC) Qualified Products List and is eligible for rebates from DLC Member Utilities.

**IESNA LM-79 & LM-80 Testing:**  
ORE LED luminaires and LED components have been tested by an independent laboratory in accordance with IESNA LM-79 and LM-80.

### Electrical

**Driver:**  
One Driver, Constant Current, Class I, 100-277V, 50-60Hz, Power Factor 99%, IP67

**THD:**  
20% at 100-277V. 10% at 220-240V.

**Surge Protection:**  
6kV line-line, 10kV line-earth.

### **LED Characteristics**

**Lifespan:**  
100,000 – hour LED lifespan based on IES LM-80 results and TM-21 calculations.

**LEDs:**  
Multi-chip, high-output, long-life LEDs

**Color Temp:**  
From 3000k (Warm), 4000k (Neutral) to 5000k (Cool)

**Color Uniformity:**  
ORE's range of CCT (Correlated Color Temperature) follows the guidelines of the American National Standard for Specifications for the Chromaticity of Solid State Lighting (SSL) Products.

### Construction

**IES Classification:**  
RDS is ideal for roadway, general parking and other area lighting applications where a larger pool of lighting is required. It is intended to be located near the side of the area, allowing the light to project outward, left and right to fill the area.

**Effective Projected Area:**  
N/A

**Maximum Ambient Temperature:**  
Suitable for use in 55°C (131°F) ambient temperatures.

**Cold Weather Starting:**  
Minimum starting temperature is -40°C (-104°F)

**Thermal Management:**  
Superior thermal management with external "Air-Flow" fins, nature transfer heat skin design.

**Lens:**  
Tempered glass lens and optical PC lens.

**Housing:**  
Die-cast aluminum alloy housing, lens frame and mounting arm

**IP Rating:**  
Ingress Protection rating of IP66 for dust and water

**Mounting Options:**  
Standard or decorative hook mount

**Gaskets:**  
High-temperature silicone gaskets

**Finish:**  
Powered Coat formulated for high-durability and long-lasting color

**Green Technology:**  
Mercury and UV-free. RoHS compliant components. Polyester powder coat finish formulated without the use of VOCs or toxic heavy metals.

### Other

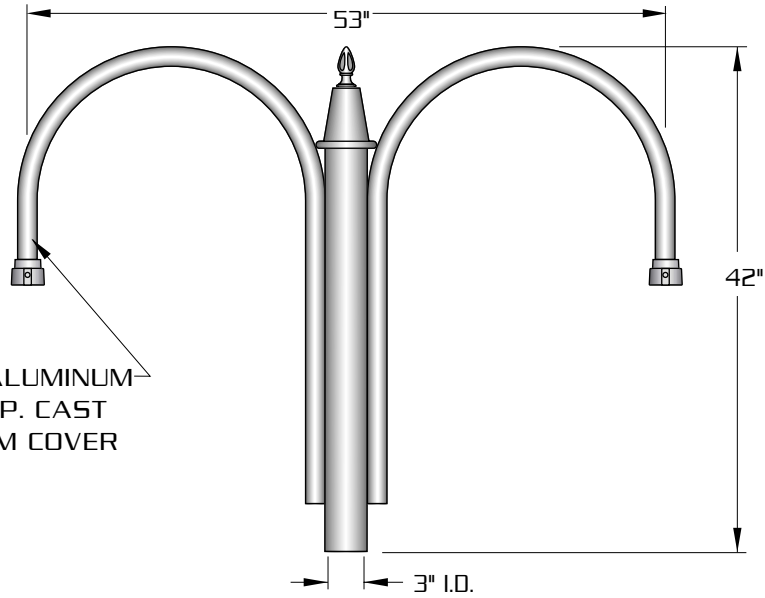
**Compatibility:**  
Compatible with Round Poles with a diameter of 2 3/8" to 2 7/8"

**Replacement:**  
Replaces above 400W Metal Halide

**Warranty:**  
ORE warrants that our LED products will be free from defects in materials and workmanship for a period of five (5) years from the date of delivery to the end user, including coverage of light output, color stability, driver performance and fixture finish. 10 Year Warranty available upon request.

FAMILY	OPTICS	WATTAGE	CCT	VOLTAGE	MOUNTING	FINISH
<b>RDS</b>	Type III <b>T3</b> Type IV <b>T4</b> Type V <b>T5</b>	75W <b>75</b> 100W <b>100</b> 150W <b>150</b>	<b>3K</b> 3000K Warm <b>4K</b> 4000K Neutral <b>5K</b> 5000K Cool	120-277V <b>MT</b> 480V <b>480V</b>	Standard Hook Mount <b>HAM</b> Decorative Hook Mount <b>DHAM</b>	Bronze <b>Blank</b> Aluminum Silver <b>AS</b> Black <b>BK</b>

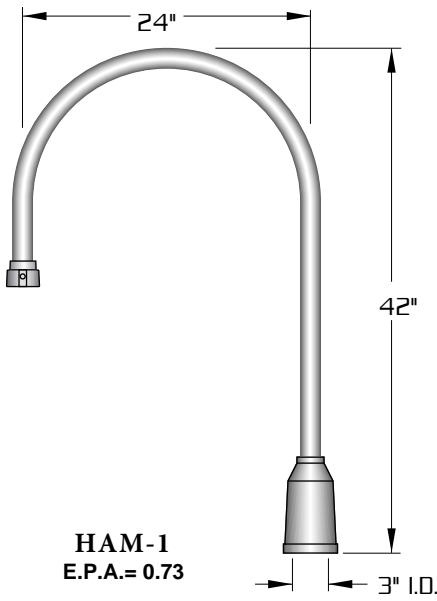
**HAM**



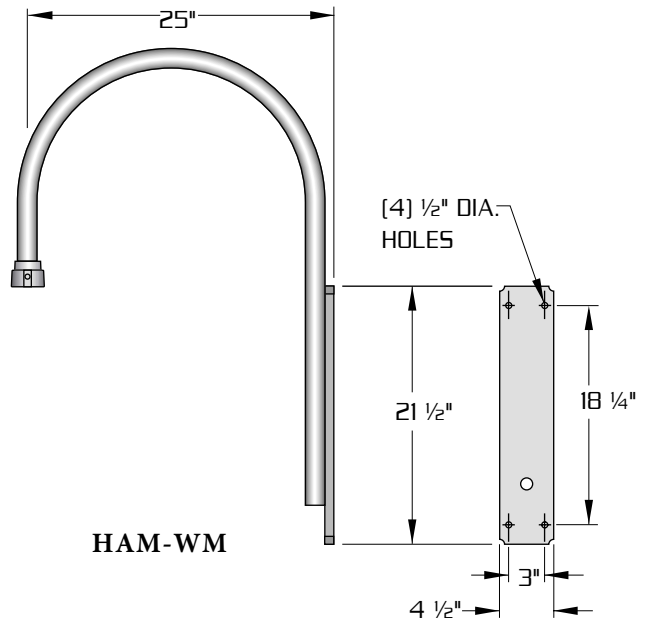
1<sup>5</sup>/<sub>8</sub>" O.D. ALUMINUM  
WITH W.P. CAST  
ALUMINUM COVER

**HAM-2-180**  
E.P.A.= 1.86

SCALE: 3/4"=1'-0"



**HAM-1**  
E.P.A.= 0.73

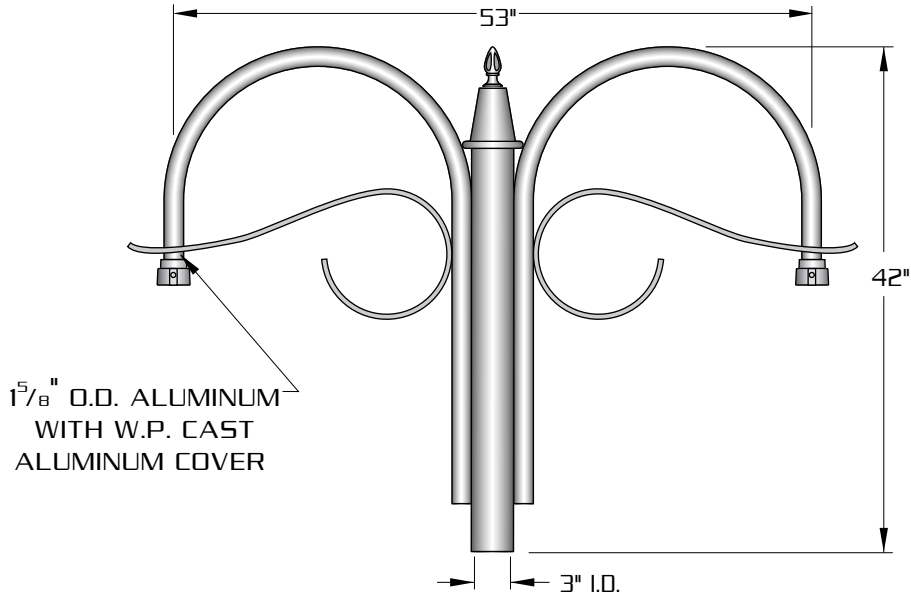


**HAM-WM**



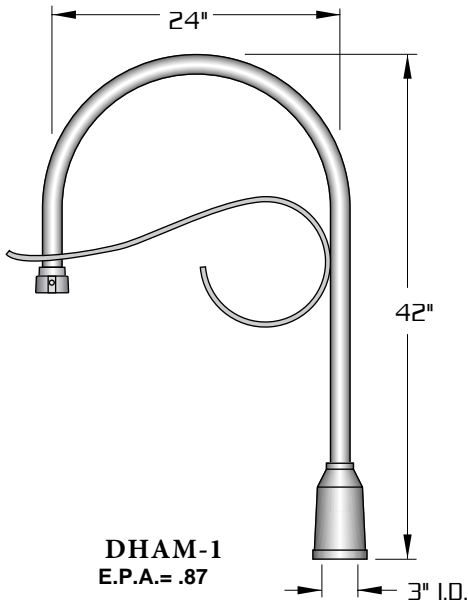
**DURABLE CORROSION RESISTANT, CAST AND EXTRUDED ALUMINUM CONSTRUCTION.**

**DHAM**

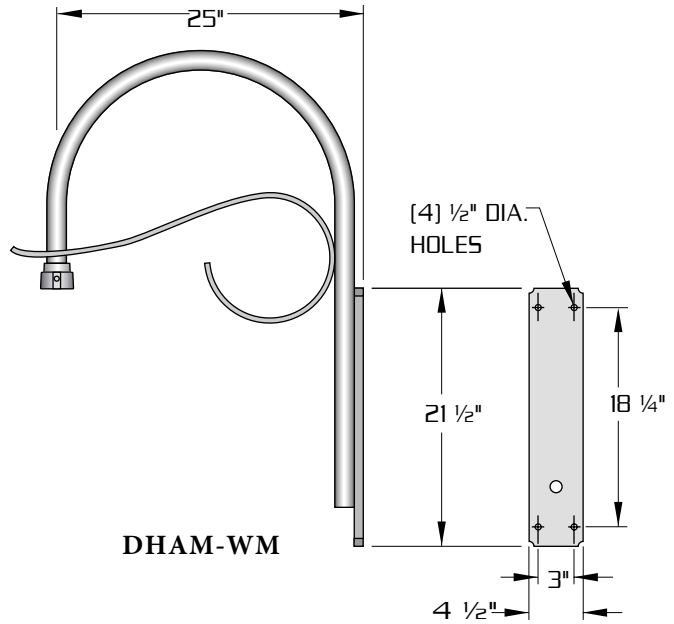


**DHAM-2-180**  
E.P.A.= 2.14

SCALE: 3/4"=1'-0"



**DHAM-1**  
E.P.A.= .87



**DHAM-WM**



DURABLE CORROSION RESISTANT, CAST AND EXTRUDED ALUMINUM CONSTRUCTION.