

ORE Lighting

45W LED Flood Light



Features

- Lumileds LED, high luminous efficiency and long working life.
- High efficiency LED Driver, the wide range input voltage AC100-277V.
- Die Cast aluminium cooling design, high quality and better cooling for LED $T_j < 85^\circ\text{C}$.
- Excellent Optics design, greatly improve the light utilization and evenness.

Product Applications

ORE LED Flood Lighting series can be widely used in indoor or outdoor lighting(Wet location), Excellent for Museums, Art Galleries, Shopping Malls, Office Buildings, The lawn, Walls, and many more applications.



ORE LIGHTING

Add: 814 Summer Park Dr Suite 550, Stafford, TX 77477

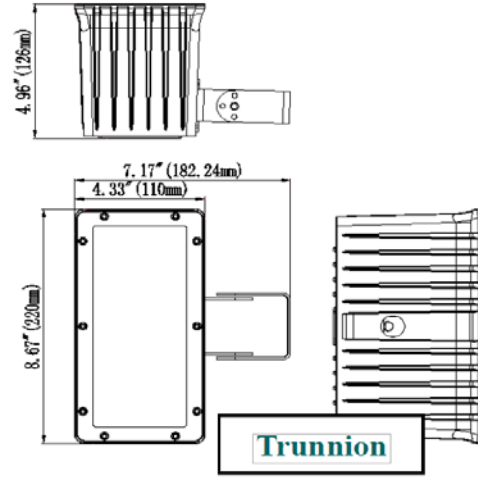
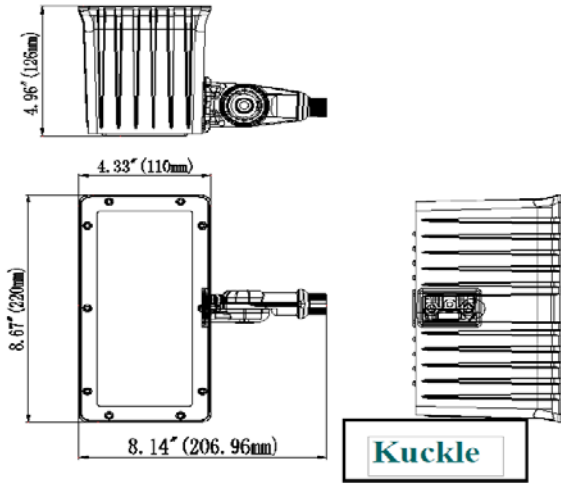
346-874-7955

www.orelighting.com

sales@orelighting.com

Specifications

Unit: inch(mm)



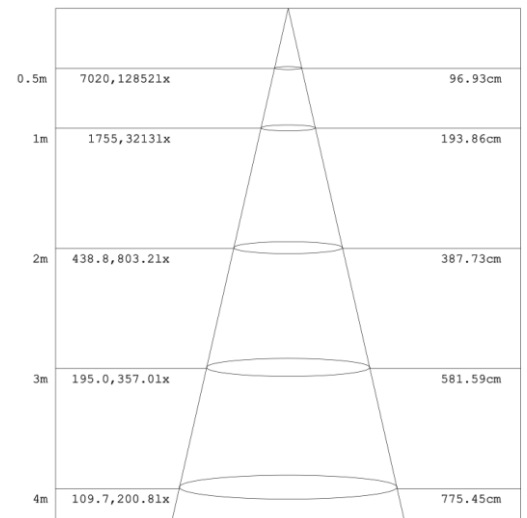
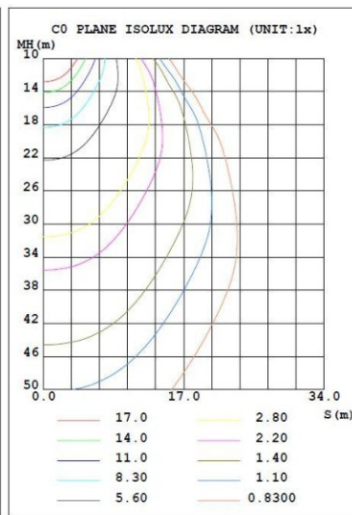
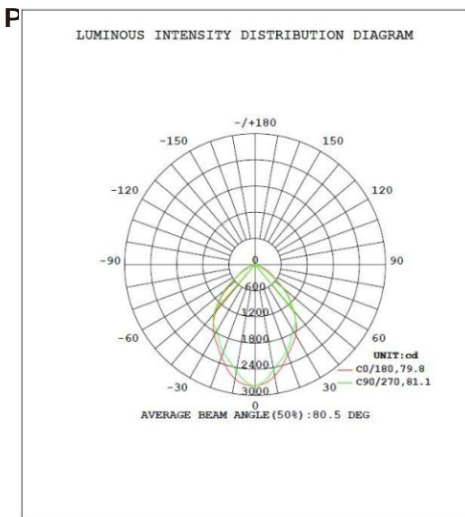
Structure Features

- Shell materials: Aluminum & Glass.
- Finish: Dark Bronze/White
- Net weight: 2.6Kg (5.73 lbs)
- Product Size: 220mm*182.24mm*110mm
- Carton Size: 265mm*190mm*180mm

Technical Parameters

ORE-FL45W27-XXK-Z[D,W,B]-M[K,T]

Power	45W	Lighting Angle	80°
Input Voltage	AC100-277V	LED Brightness Decay	<5%/6000 hrs
PF	>0.95	Working Life	>50000 hrs
Driver Efficiency	>90%	Working Temperature	-30 - +45°C
Luminous Flux	5400 Lm	Storage Temperature	-40 - +80°C
Color Temperature	4000K/5000K	Protection Level	Wet Location/IP65
CRI	Ra>70	Cable	Input Connect, 0.3m



Example: ORE-FL45W27-XXK-Z[D,W,B]-M[K,T]

ORE	FL	45W	27	XXK	Z	M
Company	Product	Power	Voltage	Color Temp	Finish	Mount
	FL	45W(45W)	27	40K(4000K)	D (Dark Bronze)	K
ORE	Flood Light		AC100-277V	50K(5000K) ±500K	W (White)	Knuckle
					B (Black)	T