



RDC

Watts: 150W

Type: III

Color Temp: 4000K (Neutral)

CRI: 71

L70: Lifespan: 100,000

Lumens: 20,600 Lumens

Listings

UL Listing:

Suitable for wet locations

DLC Listed:

This product is on the DESIGN Lights Consortium (DLC) Qualified Products List and is eligible for rebates from DLC Member Utilities.

IESNA LM-79 & LM-80 Testing:

ORE LED luminaires and LED components have been tested by an independent laboratory in accordance with IESNA LM-79 and LM-80.

Electrical

Driver:

One Driver, Constant Current, Class I, 100-277V, 50-60Hz, Power Factor 99%, IP67

THD:

20% at 100-277V. 10% at 220-240V.

Surge Protection:

6kV line-line, 10kV line-earth.

LED Characteristics

Lifespan:

100,000 – hour LED lifespan based on IES LM-80 results and TM-21 calculations.

LEDs:

Multi-chip, high-output, long-life LEDs

Color Temp:

From 3000k (Warm), 4000k (Neutral) to 5000k (Cool)

Color Uniformity:

ORE's range of CCT (Correlated Color Temperature) follows the guidelines of the American National Standard for Specifications for the Chromaticity of Solid State Lighting (SSL) Products.

Construction

IES Classification:

RDC Type III distribution is ideal for roadway, general parking and other area lighting applications where a larger pool of lighting is required. It is intended to be located near the side of the area, allowing the light to project outward, left and right to fill the area.

Effective Projected Area:

N/A

Maximum Ambient

Temperature:

Suitable for use in 55°C (131°F) ambient temperatures.

Cold Weather Starting:

Minimum starting temperature is -40°C (-104°F)

Thermal Management:

Superior thermal management with external "Air-Flow" fins, nature transfer heat skin design.

Lens:

Tempered glass lens and optical PC lens.

Housing:

Die-cast aluminum alloy housing, lens frame and mounting arm

IP Rating:

Ingress Protection rating of IP66 for dust and water

Mounting Options:

Standard or decorative hook mount

Gaskets:

High-temperature silicone gaskets

Finish:

Powered Coat formulated for high-durability and long-lasting color

Green Technology:

Mercury and UV-free. RoHS compliant components. Polyester powder coat finish formulated without the use of VOCs or toxic heavy metals.

Other

Compatibility:

Compatible with Round Poles with a diameter of 2 3/8" to 2 7/8"

Replacement:

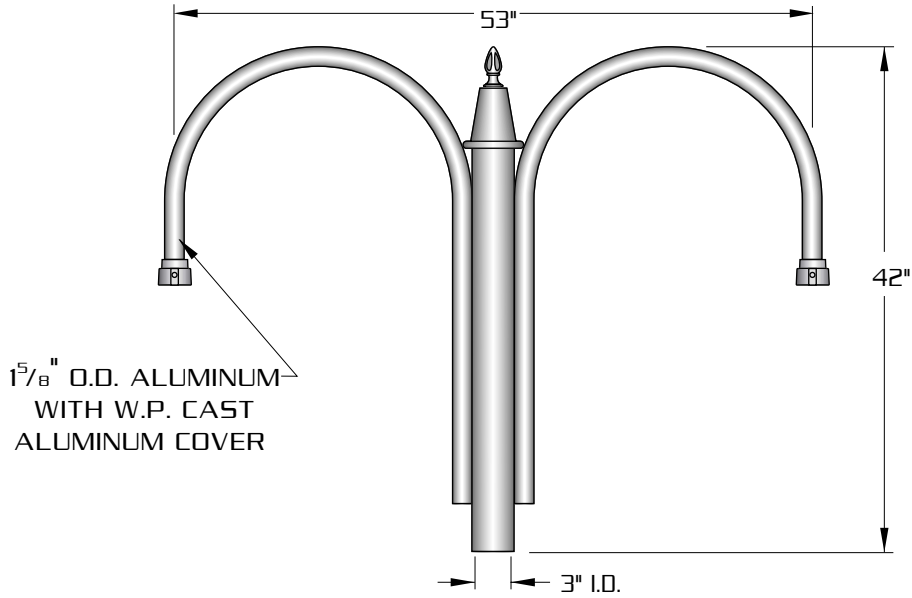
Replaces above 400W Metal Halide

Warranty:

ORE warrants that our LED products will be free from defects in materials and workmanship for a period of five (5) years from the date of delivery to the end user, including coverage of light output, color stability, driver performance and fixture finish. 10 Year Warranty available upon request.

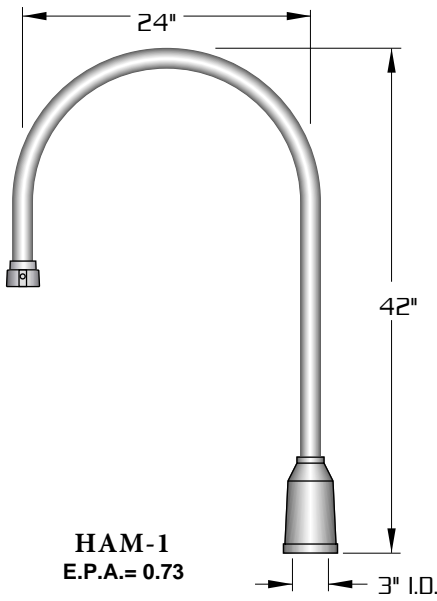
FAMILY	OPTICS	WATTAGE	CCT	VOLTAGE	MOUNTING	FINISH
RDC	Type III T3 Type IV T4 Type V T5	75W 75 100W 100 150W 150	3K 3000K Warm 4K 4000K Neutral 5K 5000K Cool	120-277V MT 480V 480V	Standard Hook Mount HAM Decorative Hook Mount DHAM	Bronze Blank Aluminum Silver AS Black BK

HAM

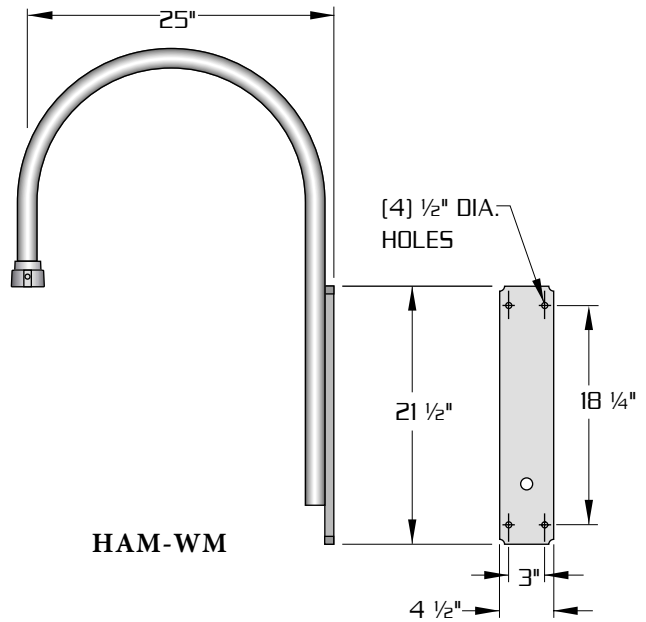


HAM-2-180
E.P.A.= 1.86

SCALE: 3/4"=1'-0"



HAM-1
E.P.A.= 0.73

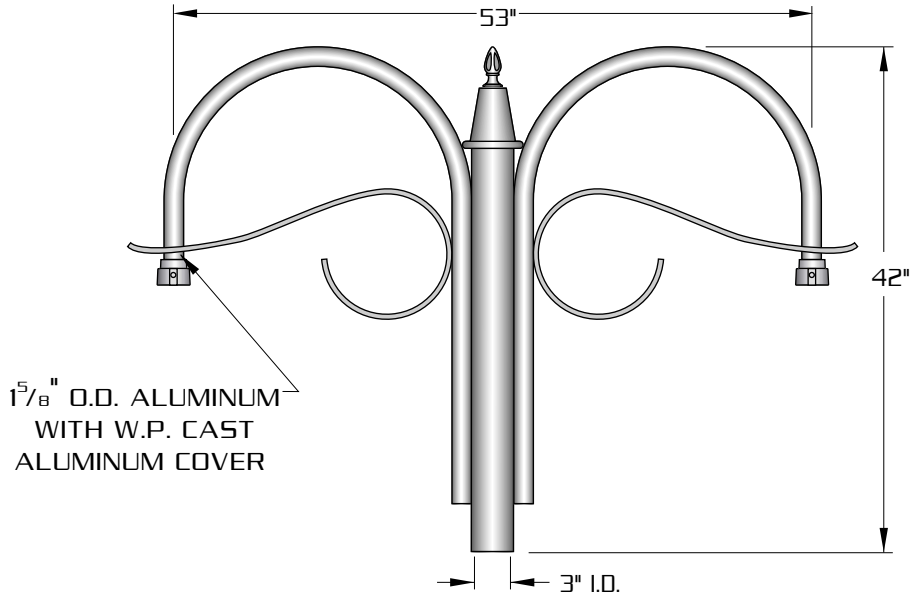


HAM-WM



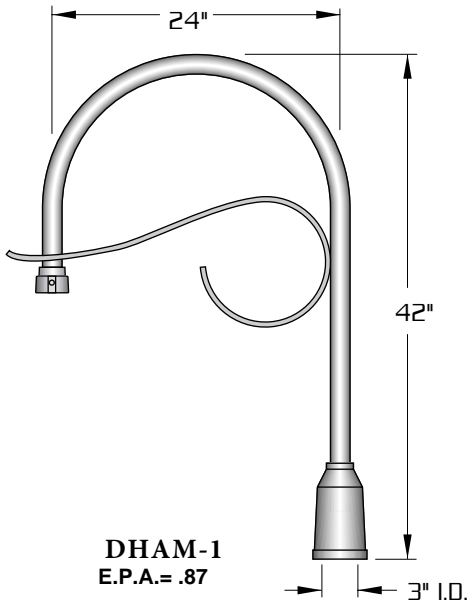
DURABLE CORROSION RESISTANT, CAST AND EXTRUDED ALUMINUM CONSTRUCTION.

DHAM

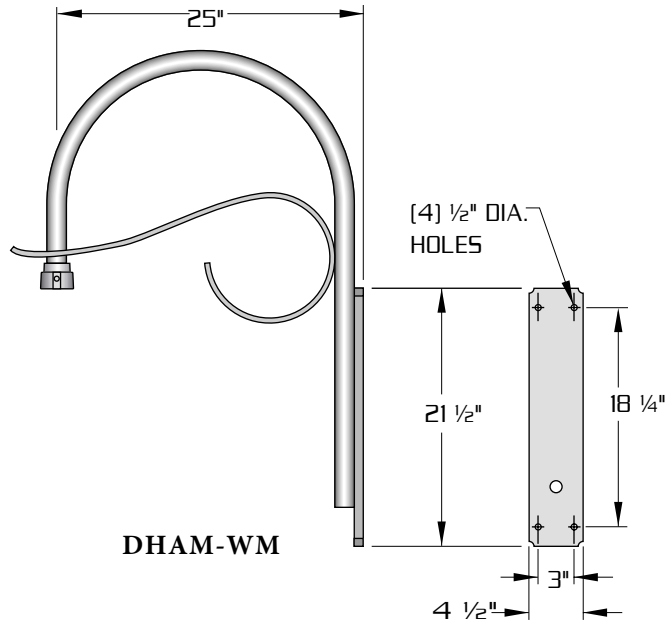


DHAM-2-180
E.P.A.= 2.14

SCALE: 3/4"=1'-0"



DHAM-1
E.P.A.= .87



DHAM-WM



DURABLE CORROSION RESISTANT, CAST AND EXTRUDED ALUMINUM CONSTRUCTION.