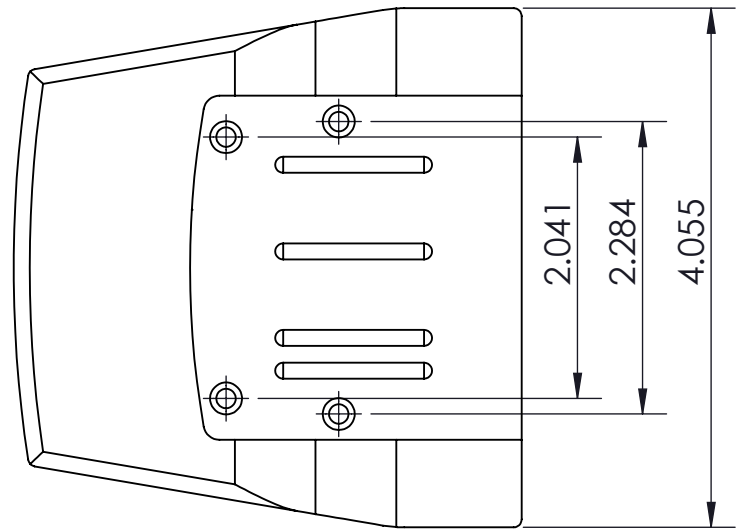
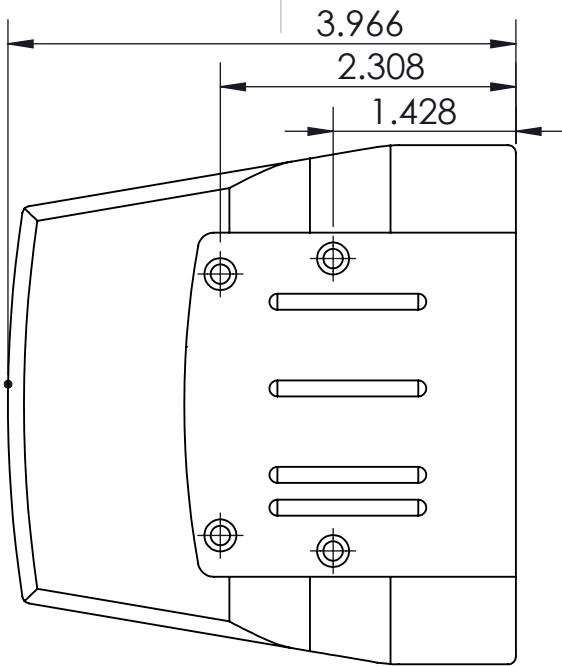
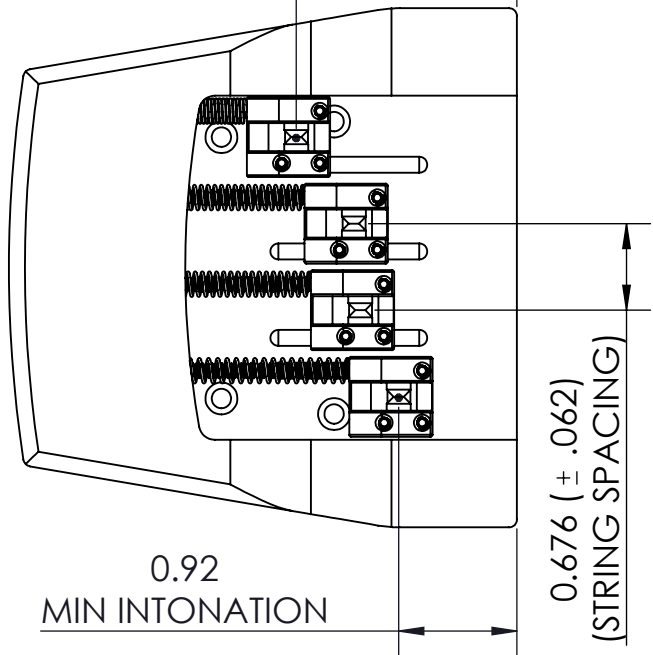
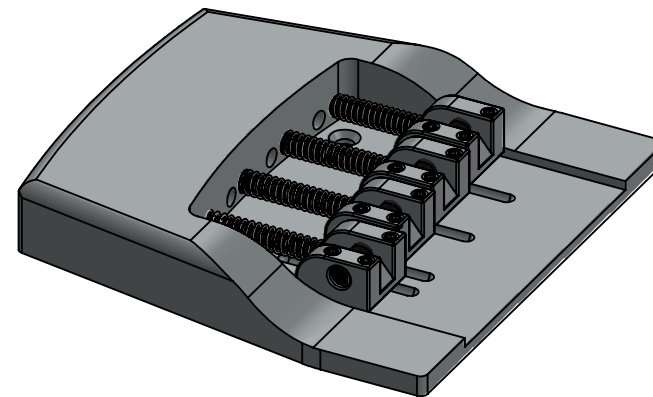
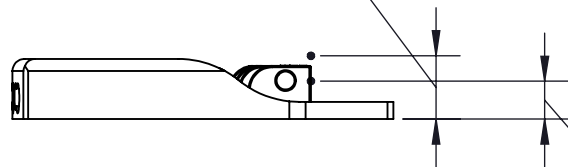


1.72
MAX INTONATION



0.660
MAX STRING HEIGHT



WEIGHT (WITH MOUNTING HARDWARE): 22oz (BRASS) 8.6OZ (ALUMINUM)

THIS DRAWING IS THE SOLE PROPERTY OF HIPSHOT PRODUCTS, INC.
ALL RIGHTS ARE RESERVED.
DIMENSIONS AND PRODUCT FEATURES ARE SUBJECT TO CHANGE
WITHOUT NOTICE.

UNLESS OTHERWISE SPECIFIED:
DIMENSIONS ARE IN INCHES
TOLERANCE: ± .005

IMAGE NOT DRAWN
TO SCALE



8248 STATE ROUTE 96
Interlaken, NY 14847 U.S.A.
TEL:607-532-9404 FAX:607-532-9530
E-MAIL: info@HipshotProducts.com

5RK400 RICKENBACKER
REPLACEMENT BRIDGE