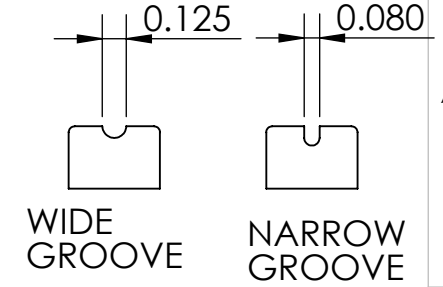
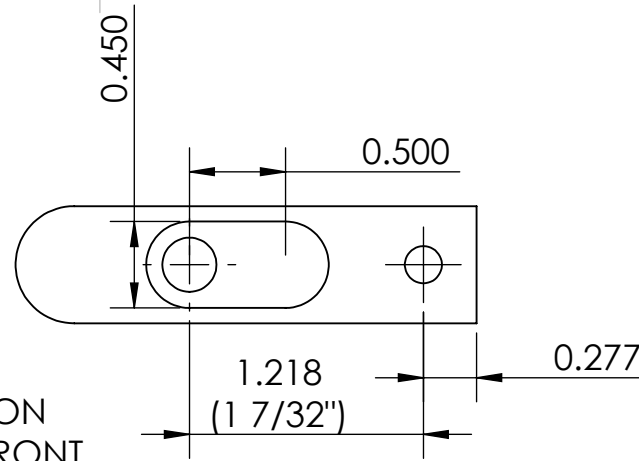


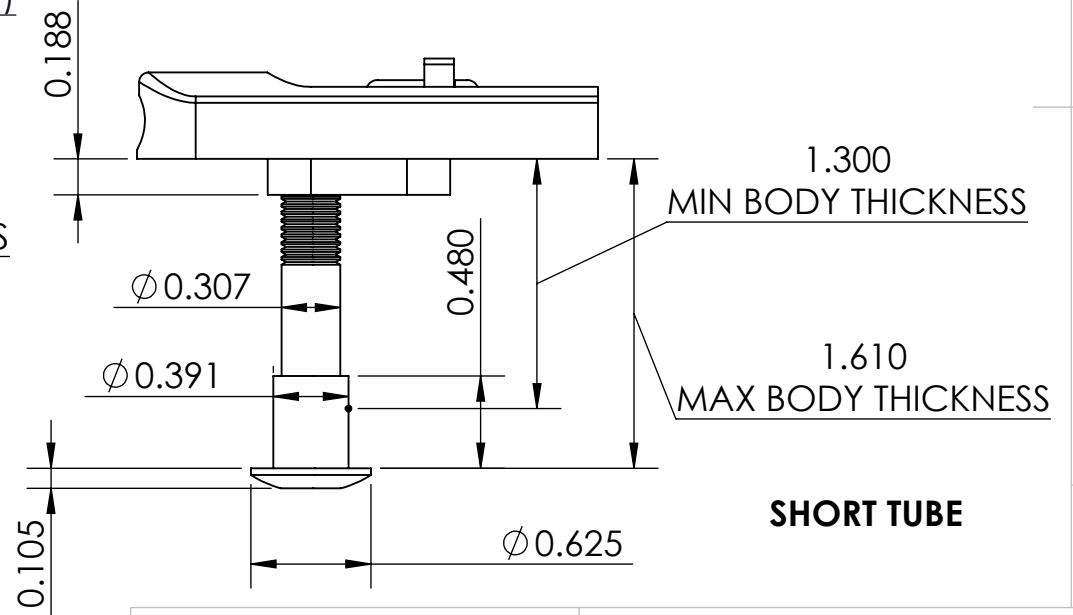
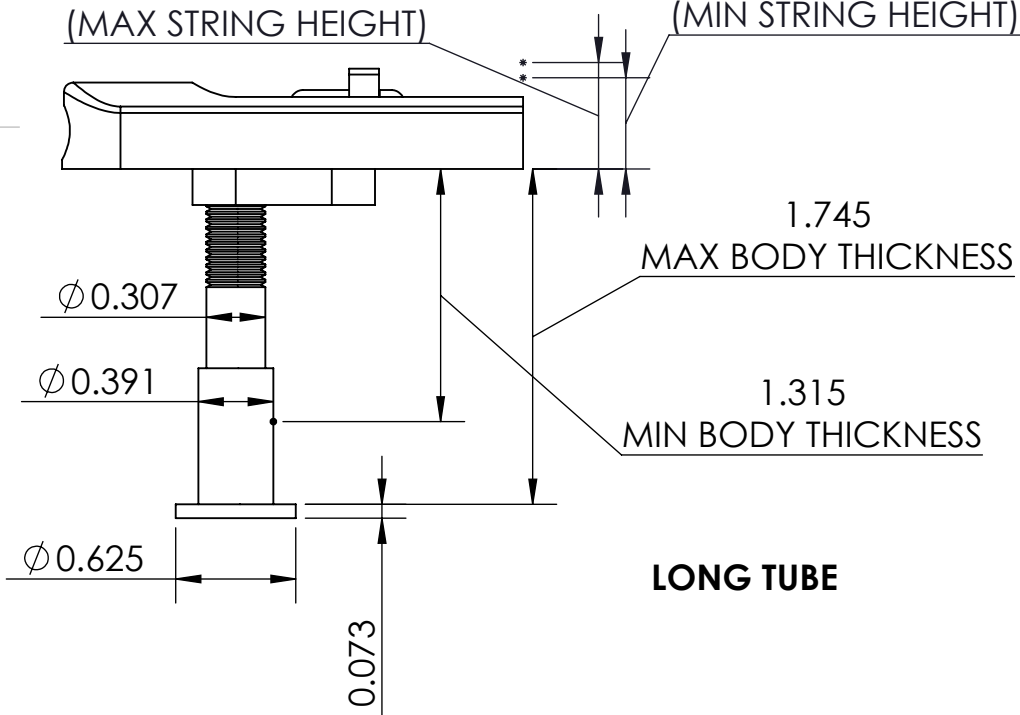
0.473
MAX INTONATION
TO MIDDLE OF FRONT
MOUNTING SCREW

0.152
MIN INTONATION
TO MIDDLE OF FRONT
MOUNTING SCREW



0.555
(MAX STRING HEIGHT)

0.475
(MIN STRING HEIGHT)



THIS DRAWING IS THE SOLE PROPERTY OF HIPSHOT PRODUCTS, INC.
ALL RIGHTS ARE RESERVED.
DIMENSIONS AND PRODUCT FEATURES ARE SUBJECT TO CHANGE
WITHOUT NOTICE.

UNLESS OTHERWISE SPECIFIED:
DIMENSIONS ARE IN INCHES
TOLERANCE: ± .005

IMAGE NOT DRAWN
TO SCALE



8248 STATE ROUTE 96
Interlaken, NY 14847 U.S.A.
TEL: 607-532-9404 FAX: 607-532-9530
E-MAIL: info@HipshotProducts.com

TRIPLE LOCK DOWN 5A100

WEIGHT (WITH MOUNTING HARDWARE): (W/ LONG TUBE) 2.1oz (W/ SHORT TUBE) 2.0oz