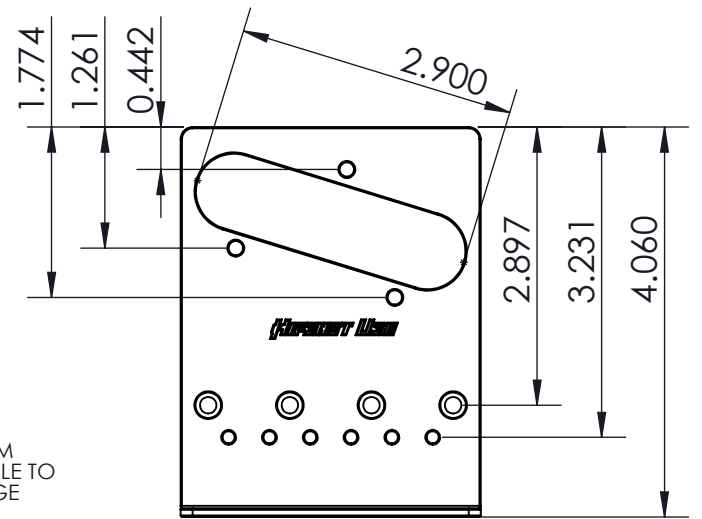
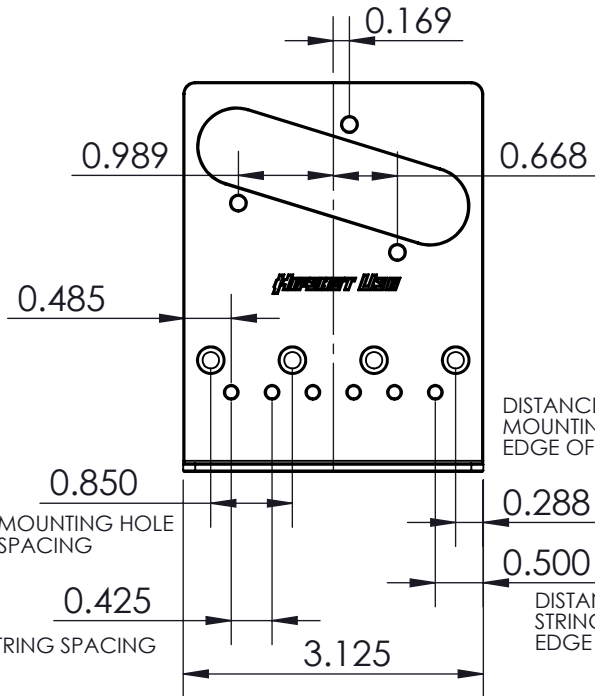
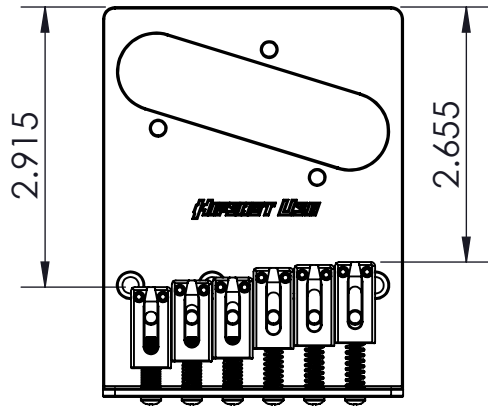


1 2 3 4 5 6

MAX INTONATION FROM FRONT EDGE

MIN INTONATION FROM FRONT EDGE

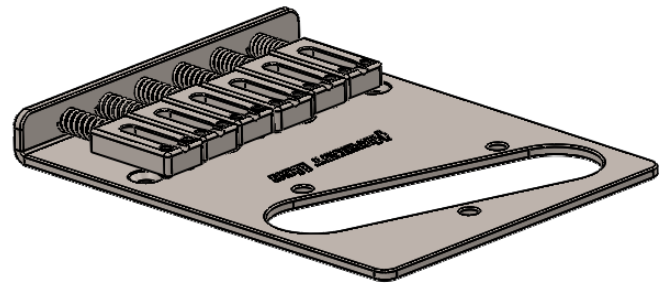


DISTANCE FROM MOUNTING HOLE TO EDGE OF BRIDGE

DISTANCE FROM STRING HOLE TO EDGE OF BRIDGE

MAX HEIGHT (BOTTOM OF STRINGS TO FACE OF GUITAR)

MIN HEIGHT (BOTTOM OF STRINGS TO FACE OF GUITAR)



WEIGHT (WITH MOUNTING HARDWARE): 6.067oz

THIS DRAWING IS THE SOLE PROPERTY OF HIPSHOT PRODUCTS, INC. ALL RIGHTS ARE RESERVED. DIMENSIONS AND PRODUCT FEATURES ARE SUBJECT TO CHANGE WITHOUT NOTICE.

UNLESS OTHERWISE SPECIFIED: DIMENSIONS ARE IN INCHES TOLERANCE: ± .005

IMAGE NOT DRAWN TO SCALE

4 HOLE 6 SADDLE TELECASTER BRIDGE



8248 STATE ROUTE 96  
Interlaken, NY 14847 U.S.A.  
TEL: 607-532-9404 FAX: 607-532-9530  
E-MAIL: info@HipshotProducts.com

1 2 3