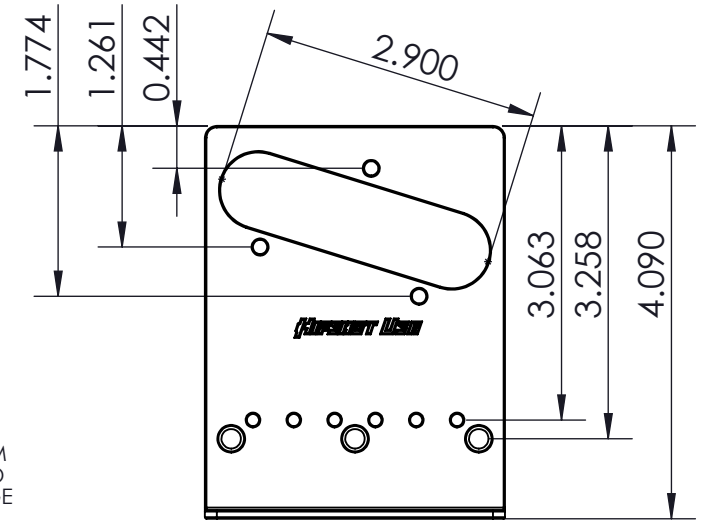
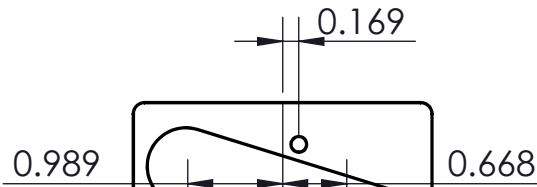
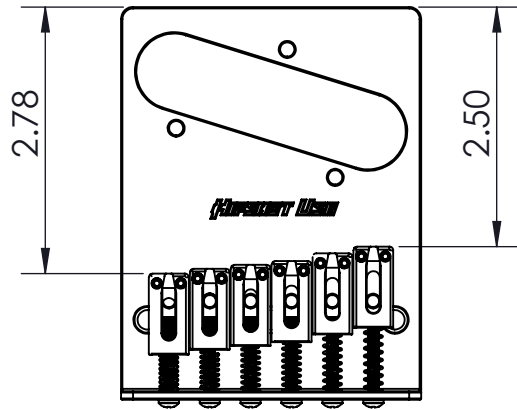


MAX INTOANTION
FROM FRONT EDGE

MIN INTOANTION
FROM FRONT EDGE



STRING SPACING

0.425

DISTANCE FROM
STRING HOLE TO
EDGE OF BRIDGE

0.500

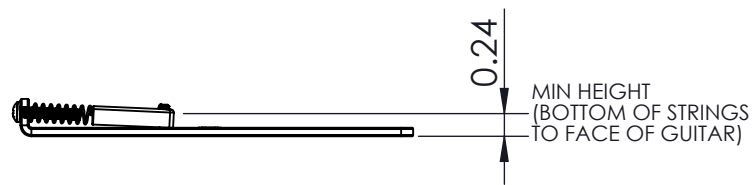
1.289

MOUNTING HOLE
SPACING

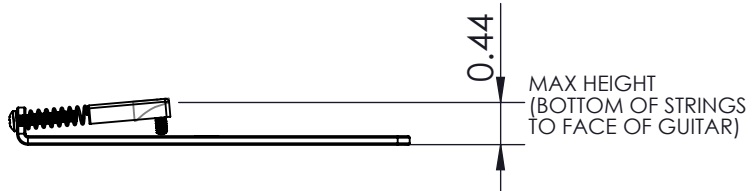
0.274

DISTANCE FROM
MOUNTING HOLE TO
EDGE OF BRIDGE

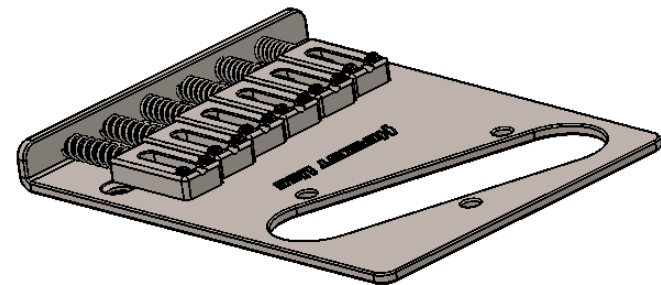
3.125



MIN HEIGHT
(BOTTOM OF STRINGS
TO FACE OF GUITAR)



MAX HEIGHT
(BOTTOM OF STRINGS
TO FACE OF GUITAR)



WEIGHT (WITH MOUNTING HARDWARE): 6.21oz

THIS DRAWING IS THE SOLE PROPERTY OF HIPSHOT PRODUCTS, INC.
ALL RIGHTS ARE RESERVED.
DIMENSIONS AND PRODUCT FEATURES ARE SUBJECT TO CHANGE
WITHOUT NOTICE.

UNLESS OTHERWISE SPECIFIED:
DIMENSIONS ARE IN INCHES
TOLERANCE: ± .005

IMAGE NOT DRAWN
TO SCALE



8248 STATE ROUTE 96
Interlaken, NY 14847 U.S.A.
TEL: 607-532-9404 FAX: 607-532-9530
E-MAIL: info@HipshotProducts.com

3 HOLE 6 SADDLE TELECASTER BRIDGE