

FIG. 1

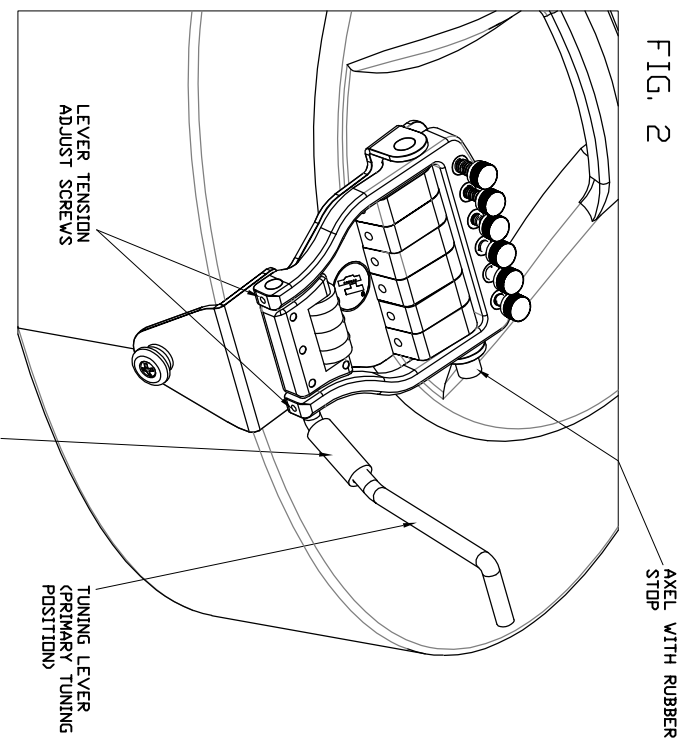


FIG. 2

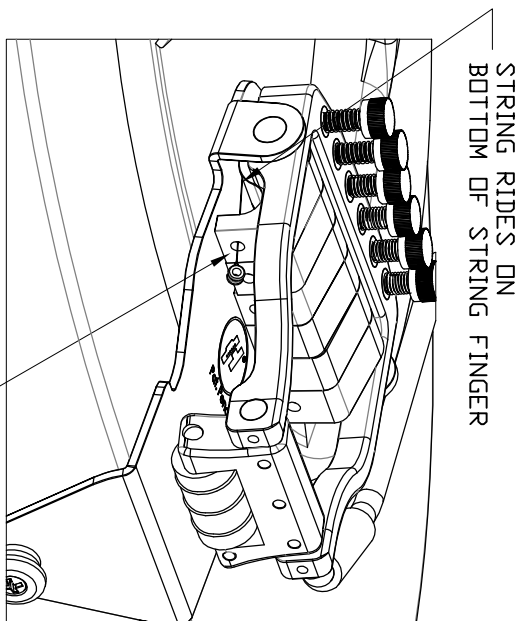


FIG. 3

FEED STRING THROUGH HOLE IN BACK OF STRING FINGER

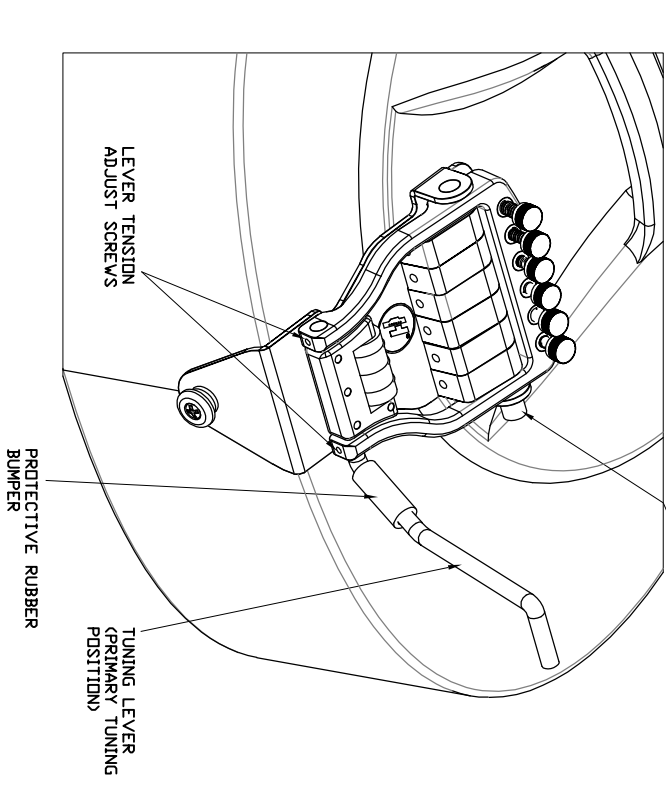


FIG. 4

MARK DRILL DEPTH AT 3/4" FROM END OF DRILL BIT, DRILL & PIN FIRST HOLE, THEN REPEAT FOR 2ND HOLE.

3/4" x 5/64" DOWEL PIN

APPLY A DROP OF LITE OIL BETWEEN ROLLERS & AXEL TWICE YEARLY