

# 12" Double Bevel Mitre Saw



Please dispose of packaging for the product in a responsible manner. It is suitable for recycling. Help to protect the environment, take the packaging to the local amenity tip and place into the appropriate recycling bin.



Never dispose of electrical equipment or batteries in with your domestic waste. If your supplier offers a disposal facility please use it or alternatively use a recognised re-cycling agent. This will allow the recycling of raw materials and help protect the environment.



**01504**

**FOR HELP OR ADVISE ON THIS PRODUCT PLEASE CONTACT YOUR DISTRIBUTOR,  
OR SIP DIRECTLY ON:  
TEL: 01509500400  
EMAIL: [sales@sip-group.com](mailto:sales@sip-group.com) or [technical@sip-group.com](mailto:technical@sip-group.com)  
[www.sip-group.com](http://www.sip-group.com)**

**Please read and fully understand the instructions in  
this manual before operation. Keep this manual  
safe for future reference**

# DECLARATION OF CONFORMITY

## Declaration of Conformity

We

SIP (Industrial Products) Ltd  
Gelders Hall Road  
Shepshed  
Loughborough  
Leicestershire  
LE12 9NH  
England

As the manufacturer's authorised representative within the EC  
declare that the

12" Double Bevel Mitre Saw - SIP Pt. No. 01504

**Conforms to the requirements of the following directive(s), as indicated.**

2006/95/EC	Low Voltage Directive
2006/42/EC	Machinery Directive
2004/108/EC	EMC Directive
2002/95/EC	ROHS Directive
As Amended By 2008/35/EC	

**And the following harmonised standard(s)**

EN 55014-1+A1:2009  
EN 55014-2+A2:2008  
EN 61000-3-2+A2:2009  
EN 61000-3-11:2000  
EN 61029-1:2009+A11  
EN 61029-2-9:2009

Signed:



Mr P. Ippaso - Managing Director - SIP (Industrial Products) Ltd  
Date: 14/09/2012.



<b>Page No.</b>	<b>Description</b>
4.	General Safety Instructions
6.	Specific Safety Instructions
8.	Technical Specifications
9.	Electrical Connection
10.	Guarantee
10.	Contents and Accessories
11.	Getting To Know Your Saw
12.	Assembly Instructions
13.	Operating Instructions
17.	Maintenance
20.	Exploded Diagram
21.	Parts List
25.	Notes
27.	Declaration of Conformity

## GENERAL SAFETY INSTRUCTIONS

Please read the following instructions carefully, **failure to do so could lead to serious personal injury.**

When using electric tools, basic safety precautions should always be followed to reduce the risk of fire, electric shock and personal injury.

Read all these instructions before operating the tool and save this user manual for future reference.

**SIP** recommends that this tool should **not** be modified or used for any application other than that for which it was designed. If you are unsure of its relative applications do not hesitate to contact us and we will be more than happy to advise you.

**KNOW YOUR POWER TOOL:** Read and understand the owner's manual and labels affixed to the tool. Learn its applications and limitations, as well as the potential hazards specific to this tool.

**KEEP WORK AREA CLEAN AND WELL LIT:** Cluttered work benches and dark areas invite accidents. Floors must not be slippery due to oil, water or sawdust etc.

**DO NOT USE THE TOOL IN DANGEROUS ENVIRONMENTS:** Do not use power tools in damp or wet locations, or expose them to rain. Provide adequate space surrounding the work area. Do not use in environments with a potentially explosive atmosphere.

**KEEP CHILDREN AND UNTRAINED PERSONNEL AWAY FROM THE WORK AREA:** All visitors should be kept at a safe distance from the work area.

**STORE TOOLS SAFELY WHEN THEY ARE NOT IN USE:** All tools should be stored in a dry, locked cupboard wherever possible and out of the reach of children.

**WEAR THE CORRECT CLOTHING:** Do not wear loose clothing, neckties, rings, bracelets, or other jewellery, which may get caught in moving parts. Non-slip footwear is recommended. Wear protective hair covering to contain long hair. Roll long sleeves up above the elbow.

**USE SAFETY GOGGLES AND EAR PROTECTION:** Wear CE approved safety goggles at all times, Normal spectacles only have impact resistant lenses, they are **NOT** safety glasses. A face or dust mask should be worn if the operation is dusty and ear protectors (plugs or muffs) should be worn, particularly during extended periods of operation.

**PROTECT YOURSELF FROM ELECTRIC SHOCK:** When working with power tools, avoid contact with any earthed items (e.g. pipes, radiators, hobs and refrigerators, etc.). It is advisable wherever possible to use an RCD (residual current device) at the mains socket.

**STAY ALERT:** Always watch what you are doing and use common sense. Do not operate a power tool when you are tired or under the influence of alcohol or drugs.

**DISCONNECT THE TOOL FROM THE MAINS SUPPLY:** When not in use, before servicing and when changing accessories such as cutters, blades etc.

**AVOID UNINTENTIONAL STARTING:** Make sure the switch is in the **OFF** position before connecting the tool to the mains supply.

**NEVER LEAVE THE TOOL RUNNING / CONNECTED WHILST UNATTENDED:** Turn off the tool and disconnect it from the mains supply between jobs. Do not leave machine until it

## NOTES

## PARTS LIST...cont

Ref No.	Description	SIP Part No.	Ref No.	Description	SIP Part No.
188	Screw	WD01-00351	206	Washer	WD01-00369
189	Lock handle	WD01-00352	207	Shield lock piece	WD01-00370
190	Fixture	WD01-00353	208	Shield lock sheet	WD01-00371
191	Locked nut	WD01-00354	209	Spring	WD01-00372
192	Pin	WD01-00355	210	Washer	WD01-00373
193	Role pin	WD01-00356	211	Locknut	WD01-00374
194	Lock bolt	WD01-00357	212	Washer	WD01-00375
195	Pressure plate	WD01-00358	213	Spring washer	WD01-00376
196	Washer	WD01-00359	214	Screw	WD01-00377
197	Screw	WD01-00360	215	Spring washer	WD01-00378
198	Lock washer	WD01-00361	216	Wave washer	WD01-00379
199	Head sunk screw	WD01-00362	217	Nut	WD01-00380
200	Orientation board	WD01-00363	218	Dust bag	WD01-00381
201	Spring washer	WD01-00364	116-123	Complete laser assembly	WD01-00382
202	Socket head screw	WD01-00365	2,3,19,41-57	Complete motor assembly	WD01-00383
203	Spring	WD01-00366	2,62-73	Complete gear box assembly	WD01-00384
204	Capacitor	WD01-00367	53-54	Complete brush set	WD01-00385
205	Screw	WD01-00368			

## GENERAL SAFETY INSTRUCTIONS...cont

comes to a complete stop.

**DO NOT ABUSE THE MAINS LEAD:** Never carry the tool by the mains lead or pull it to remove the plug from the mains socket. Keep the mains lead away from heat, oil and sharp edges. If the mains lead is damaged, it must be replaced by the manufacturer or its service agent or a similarly qualified person in order to avoid unwanted hazards.

**CHECK FOR DAMAGED PARTS:** Before every use of the tool, a guard or other part that is damaged should be carefully checked to determine that it will operate correctly and perform its intended function. Check for alignment of moving parts, free running of moving parts, breakage of parts, and any other conditions that may affect its operation. A guard or other part that is damaged should be correctly repaired or replaced by an authorized service centre unless otherwise indicated in this instruction manual. Have defective switches replaced by an authorized service agent. Do not use the tool if the switch does not turn it on and off.

**KEEP ALL GUARDS IN PLACE:** And in full working order.

**MAINTAIN TOOLS WITH CARE:** Keep tools sharp and clean for the best and safest performance. Follow instructions for lubricating and changing accessories. All extension cables must be checked at regular intervals and replaced if damaged. Always keep the hand grip on the tool clean, dry and free of oil and grease.

**USE ONLY RECOMMENDED ACCESSORIES:** Consult this user manual for recommended accessories. Follow the instructions that accompany the accessories. The use of improper accessories may cause hazards and will invalidate any warranty you may have.

**REMOVE ADJUSTING KEYS AND WRENCHES:** Form a habit of checking to see that keys and adjusting wrenches are removed from the tool before every use.

**SECURE THE WORKPIECE:** Use clamps or a vice to hold the work-piece. This frees up both hands to operate the tool.

**DO NOT OVERREACH:** Keep proper footing and balance at all times.

**USE THE RIGHT TOOL:** Do not use the tool or attachment to do a job for which it was not designed.

**DO NOT FORCE THE TOOL:** It will do the job better and more safely at the rate which it was designed.

**DO NOT OPERATE POWER TOOLS IN EXPLOSIVE ATMOSPHERES:** Do not use the tool in the presence of flammable liquids, gases, dust or other combustible sources. Power tools may create sparks which can ignite the dust or fumes.

**DO NOT EXPOSE THE TOOL TO RAIN OR USE IT IN WET CONDITIONS:** Water entering a power tool will greatly increase the risk of electric shock.

**HAVE YOUR TOOL REPAIRED BY A QUALIFIED PERSON:** The tool is in accordance with the relevant safety requirements. Repairs should only be carried out by qualified persons using original spare parts, otherwise this may result in considerable danger to the user.

## SPECIFIC SAFETY INSTRUCTIONS

- Use only the blade flange specified for this tool.
- Be careful not to damage the arbor, flange (especially the installing surface). Damage to these parts could result in blade breakage. And / or operator injury.
- Make sure that the table base is properly secured so it will not move during operation.
- For your safety; remove the chippings and work debris etc. from the table top and from inside the extraction port before each operation.
- Avoid cutting nails / screws etc.; Remove all obstructions from the work-piece before cutting.
- Make sure that all keys and wrenches are removed before switching on the saw.
- Be sure that the blade does not come into contact with the table and / or table insert when the blade is in operation.
- Keep hands out of path of saw blade, never reach around saw blade.
- Make sure the blade is clear of the work-piece before the switch is turned on.
- Before making the first cut using the saw, turn the blade by hand to ensure nothing is catching, then turn the saw on and let it run for a while; Watch for vibration or wobbling that could indicate poor installation or a poorly balanced blade. Adjust or replace as necessary.
- Allow the blade to run up to full speed before cutting.
- Stop operation immediately if you notice anything abnormal.
- Wait for the saw blade to stop completely and remove from mains supply before servicing or adjusting tool.
- Be alert at all times, especially during repetitive, monotonous operations. Don't be lulled into a false sense of security. Blades are extremely unforgiving.
- Use of improper accessories such as abrasive wheels may cause damage to the saw and surrounding area as well as increasing the risk of injury.
- Turn off the saw and wait for it to complete stop before moving work-piece or changing settings.
- Do not modify the saw to do tasks other than those intended.
- Do not perform any operation freehand. The work-piece must be secured firmly against the base and guide fence with the clamp during all operations; Using your hand may cause severe injury.



**Warning:** The laser beam can potentially cause severe eye damage. Never look or stare directly into the laser beam.

**Warning:** During use, do not point the laser beam at people, directly or indirectly through reflecting surfaces.

## PARTS LIST...cont

Ref No.	Description	SIP Part No.	Ref No.	Description	SIP Part No.
125	Arm	WD01-00289	156	Lock boot	WD01-00320
126	Rubber ring	WD01-00290	158	Lock bolt	WD01-00321
127	Slide	WD01-00291	159	Support bar	WD01-00322
128	Bevel lock handle	WD01-00292	160	Lock handle	WD01-00323
129	Washer	WD01-00293	161	Screw	WD01-00324
130	Locknut	WD01-00294	162	Lock handle cap	WD01-00325
131	Washer	WD01-00295	163	Base	WD01-00326
132	Nut	WD01-00296	164	Rubber foot	WD01-00327
133	Socket head screw	WD01-00297	165	Mitre scale	WD01-00328
134	Bevel pointer	WD01-00298	166	Detent Roll	WD01-00329
135	Screw	WD01-00299	167	Detent Spring	WD01-00330
136	Bevel scale	WD01-00300	168	Hex grub screw	WD01-00331
137	Straight cut setting pin	WD01-00301	169	Bolt knurled	WD01-00332
138	Stud	WD01-00302	170	Screw	WD01-00333
139	Stud	WD01-00303	171	Support bar	WD01-00334
140	Locknut	WD01-00304	172	Fence	WD01-00335
141	Washer	WD01-00305	173	Socket head screw	WD01-00336
142	Socket head screw	WD01-00306	174	Left attach fence	WD01-00337
143	Screw	WD01-00307	175	Screw	WD01-00338
144	Orientation board	WD01-00308	176	Clamp	WD01-00339
145	Screw	WD01-00309	177	Support arm	WD01-00340
146	Cutting insert	WD01-00310	178	Knob (short)	WD01-00341
147	Screw	WD01-00311	179	Work-piece knob	WD01-00342
148	Turntable	WD01-00312	180	Support pole	WD01-00343
149	Mitre pointer	WD01-00313	181	Socket head screw	WD01-00344
150	Screw	WD01-00314	182	Knob (short)	WD01-00345
151	Turntable bolt	WD01-00315	183	Knob (long)	WD01-00346
152	Turntable bolt cover	WD01-00316	184	Right attach fence	WD01-00347
153	Screw	WD01-00317	185	Socket head screw	WD01-00348
154	Knob (long)	WD01-00318	186	Slide stopper	WD01-00349
155	Safety foot	WD01-00319	187	Lock handle cap	WD01-00350

## PARTS LIST...cont

Ref No.	Description	SIP Part No.	Ref No.	Description	SIP Part No.
63	Gear case cover	WD01-00227	94	Linkage (B)	WD01-00258
64	Bearing	WD01-00228	95	Torsion spring	WD01-00259
65	Shaft gear	WD01-00229	96	Spring bushing	WD01-00260
66	Flat key	WD01-00230	97	Trench depth bracket	WD01-00261
67	Bearing	WD01-00231	98	Spring piece	WD01-00262
68	Key	WD01-00232	99	Wave washer	WD01-00263
69	Spindle	WD01-00233	100	Screw	WD01-00264
70	C clip	WD01-00234	101	Pivot shaft	WD01-00265
71	Bearing	WD01-00235	102	Steel wire baffle ring	WD01-00266
72	Gear	WD01-00236	103	Bracket	WD01-00267
73	Bearing	WD01-00237	104	Linear bearing	WD01-00268
74	Fixed guard	WD01-00238	105	Bearing cover	WD01-00269
75	Dust pipe run	WD01-00239	106	Screw	WD01-00270
76	Sunk screw	WD01-00240	107	Linear bearing	WD01-00271
77	Nut	WD01-00241	108	Spring loop	WD01-00272
78	Plate guarding (big)	WD01-00242	109	Knob (long)	WD01-00273
79	Plate guarding (small)	WD01-00243	110	Socket head screw	WD01-00274
80	Moving guard plate	WD01-00244	111	Lock pin	WD01-00275
81	Big washer	WD01-00245	112	Rolled pin	WD01-00276
82	Screw	WD01-00246	113	Lock pin spring	WD01-00277
83	Spring	WD01-00247	114	Lock pin cap	WD01-00278
84	Cast centre	WD01-00248	115	Bearing cover	WD01-00279
85	Screw	WD01-00249	116	Laser fixed plate	WD01-00280
86	Rivet	WD01-00250	117	Screw	WD01-00281
87	Screw	WD01-00251	118	Dual laser carrier	WD01-00282
88	Moving guard	WD01-00252	119	Screw	WD01-00283
89	Moving guard cover	WD01-00253	120	Laser	WD01-00284
90	Shoulder Screw	WD01-00254	121	Screw	WD01-00285
91	Linkage (A)	WD01-00255	122	Laser case	WD01-00286
92	Rivet	WD01-00256	123	Laser window	WD01-00287
93	Socket head screw	WD01-00257	124	Hex grub screw	WD01-00288

## SPECIFIC SAFETY INSTRUCTIONS...cont

- This laser complies with class 2 according to EN 60825-1:2007.
- The unit includes no servicing components. Do not open the housing for any reason. If the unit is faulty/damaged, have it repaired/replaced by an authorized repair agent.
- Do not stare directly at the laser beam, never aim the beam at any person or an object other than the work-piece.
- Do not deliberately aim the beam at personnel and ensure that it is not directed towards the eye of a person.
- Always ensure the laser beam is aimed at a sturdy work-piece without reflective surfaces. Wood or rough coated surfaces are acceptable. Bright shiny reflective surfaces are not suitable for laser use as the reflective surface could direct the beam back at the operator.
- Always remember to switch off the laser on/off switch (2) after finishing a job, only turn the laser beam on when the work-piece is on the mitre saw table.



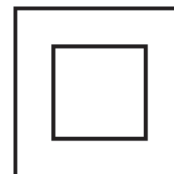
When using the saw always ensure the operator as well as those in the area wear ear protection.



When using the saw always ensure the operator as well as those in the area wear eye protection.



Some wood and wood composites have the potential to be highly toxic; always wear a face mask when operating saw.



This mitre saw is double insulated; This means the operator is separated from the tool's electrical system by two complete sets of electrical insulation. This extra layer of insulation is intended to protect the user from electrical shock due to a break in the wiring insulation. All exposed metal parts are isolated from the internal metal motor components with protecting insulation. Double insulated tools do not need to be grounded (earthed). Servicing of a tool with double insulation requires extreme care and knowledge of the system and should be performed only by a suitably qualified person.

## SPECIFIC SAFETY INSTRUCTIONS...cont



**Caution:** The warnings and cautions mentioned in this user manual can not cover all possible conditions and situations that may occur. It must be understood by the operator that common sense and caution are factors which cannot be built into this product, but must be applied.

## TECHNICAL SPECIFICATIONS

<b>Part number</b>	01504
<b>Input voltage</b>	230v ~ 50hz
<b>Power</b>	2000 w
<b>No load speed</b>	4500 rpm
<b>Blade Ø</b>	305 mm
<b>Blade bore</b>	30 mm
<b>Blade teeth</b>	40 TCT
<b>Minimum blade thickness</b>	2mm
<b>Maximum blade thickness</b>	4mm
<b>Mitre table angles</b>	-45°/0°/45°
<b>Straight cut at 0° x 0°</b>	340mm x 102mm
<b>Mitre cut at 45° x 0°</b>	240mm x 102mm
<b>Left bevel cut at 0° x45°</b>	340mm x 55mm
<b>Right bevel cut at 0° x45°</b>	340mm x 40mm
<b>Left compound mitre cut at 45° x 45°</b>	240mm x 55mm
<b>Right compound mitre cut at 45° x 45°</b>	240mm x 40mm
<b>Weight</b>	18kg
<b>Sound Pressure Level (LpA) *</b>	101 dB(A)
<b>Sound Pressure Level (LpA) * (at operators ear)</b>	96 dB(A)
<b>Sound Power Level (LwA) **</b>	114 dB(A)

\*Tested according to EN ISO 11201

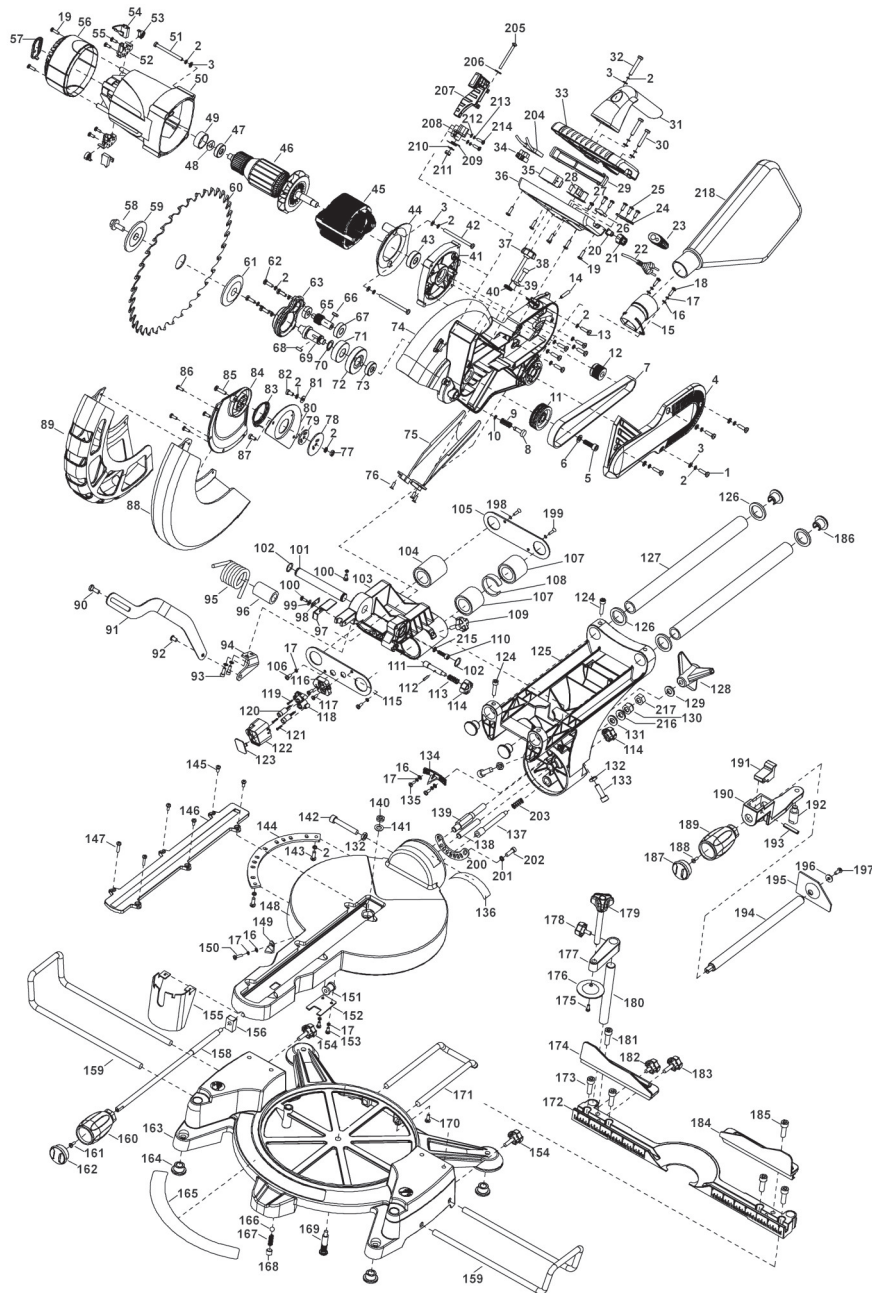
\*\*Tested according to EN ISO 4871: 3dB uncertainty

## PARTS LIST

Ref No.	Description	SIP Part No.	Ref No.	Description	SIP Part No.
1	Screw	WD01-00165	32	Screw	WD01-00196
2	Spring washer	WD01-00166	33	Upper handle	WD01-00197
3	Washer	WD01-00167	34	Binding post	WD01-00198
4	Belt cover	WD01-00168	35	Switch	WD01-00199
5	Socket head screw	WD01-00169	36	Lower handle	WD01-00200
6	Washer	WD01-00170	37	Depth of cut knob	WD01-00201
7	Belt	WD01-00171	38	Socket head screw	WD01-00202
8	Gear lock pin	WD01-00172	39	Nut	WD01-00203
9	Gear lock pin spring	WD01-00173	40	Knurled thin nut	WD01-00204
10	E clip	WD01-00174	41	Motor support	WD01-00205
11	Belt pulley (big)	WD01-00175	42	Screw	WD01-00206
12	Belt pulley (small)	WD01-00176	43	Bearing	WD01-00207
13	Screw	WD01-00177	44	Fan baffle	WD01-00208
14	Hex grub screw	WD01-00178	45	Stator	WD01-00209
15	Exhaust port	WD01-00179	46	Armature	WD01-00210
16	Washer	WD01-00180	47	Bearing	WD01-00211
17	Spring washer	WD01-00181	48	Wave washer	WD01-00212
18	Screw	WD01-00182	49	Rubber boot	WD01-00213
19	Screw	WD01-00183	50	Motor housing	WD01-00214
20	Laser switch	WD01-00184	51	Screw	WD01-00215
21	Laser switch cap	WD01-00185	52	Brush hold	WD01-00216
22	Cable plug	WD01-00186	53	Brush spring	WD01-00217
23	Cord protector	WD01-00187	54	Brush	WD01-00218
24	Cold clamp	WD01-00188	55	Screw	WD01-00219
25	Screw	WD01-00189	56	Motor cover	WD01-00220
26	Cold clamp	WD01-00190	57	Logo cap	WD01-00221
27	Screw	WD01-00191	58	Blade bolt	WD01-00222
28	Transformer	WD01-00192	59	Blade flange outer	WD01-00223
29	Trigger	WD01-00193	60	Blade	WD01-00224
30	Screw	WD01-00194	61	Blade flange inner	WD01-00225
31	Carry handle	WD01-00195	62	Screw	WD01-00226



## EXPLODED DIAGRAM



## ELECTRICAL CONNECTION



This mitre saw is double insulated. This means the operator is separated from the tool's electrical system by two complete sets of electrical insulation.

This saw is fitted with a standard UK type 230v ~ plug. Before using the tool inspect the cable and plug to ensure that neither are damaged. If any damage is visible have the tool inspected / repaired by a suitably qualified person. If it is necessary to replace the plug a heavy duty impact resistant plug would be preferable.

**The wires for the plug are coloured in the following way:**

Blue	Neutral
Brown	Live

As the colours of the wires may not correspond with the markings in your plug, proceed as follows:

- The wire which is coloured blue, must be connected to the terminal marked with N or coloured black.
- The wire which is coloured brown, must be connected to the terminal, which is marked L or coloured red.
- Always secure the wires in the plug terminal carefully and tightly. Secure the cable in the cord grip carefully.



**Warning:** Never connect live or neutral wires to the earth terminal of the plug. Only fit an approved plug with the correct rated fuse. If in doubt consult a qualified electrician.



**Note:** Always make sure the mains supply is of the correct voltage and the correct fuse protection is used. In the event of replacing the fuse always replace the fuse with the same value as the original.



**Note:** If an extension lead is required in order to reach the mains supply; ensure that this too is rated for the correct voltage and fuse rating.



**Note:** The cross section of the extension lead should be checked so that it is of sufficient size so as to reduce the chances of voltage drops.

## GUARANTEE

### Guarantee:

This SIP 12" double bevel saw is covered by a 12 month parts and labour warranty covering failure due to manufacturers defects. This does not cover failure due to mis-use or operating the saw outside the scope of this manual - any claims deemed to be outside the scope of the warranty may be subject to charges including, but not limited to parts, labour and carriage costs. Consumable items such as fuses and blades are not covered by the warranty.

In the unlikely event of warranty claims, contact your distributor as soon as possible. Proof of purchase will be required before any warranty can be honoured.



**Note:** Proof of purchase will be required before any warranty can be honoured.

## CONTENTS AND ACCESSORIES

- Dust Bag
- Work Clamps
- Blade Socket Wrench
- Side Support Bar (x 2)
- 6mm Hex. Key
- Instruction Manual



**Note:** If any parts are missing, contact your distributor for the missing parts to be replaced.

## MAINTENANCE...cont

### GENERAL INSPECTION:

Cleaning and maintenance of this saw is mainly common sense some points for guidance are as follows:

- Regularly check that all the fixing screws are tight, particularly the outer flange. They may vibrate loose over time.
- The mains lead of the saw and any extension cord used should be checked frequently for damage. If damaged, have the mains lead replaced by an authorised service facility. Replace the extension cord if necessary.
- Keep the air vents of the saw clear at all times.
- After each use brush off any wood chippings with a soft brush. Pay special attention to the inside of the dust extraction port (where the dust bag fits to the saw) as this is where there will be a large build up if left for extended periods.
- The motor of the saw should be cleared of any wood chippings as there would be a risk of fire if they are allowed to build up over time (a soft brush or dry air could be used to clear the motor).
- Empty the bag at least after each use; the bag should be emptied before it gets half full to ensure its efficiency. There is a zip on the bag to allow for easy disposal of wood chippings.
- Ensure the blade guard is kept clean with a damp cloth (do not clean the guard or any part of the saw with a corrosive solvent) to reduce the risk of injury. Periodically oil all the moving parts on the saw to extend the life of the saw.
- Inspect the carbon brushes (in the motor) at frequent intervals (depending on the amount of use) and change them if the wear reaches the worn limit line or is below 10mm, they should also be checked to ensure that the brushes move in and out easily.



**Caution!** Water must never come into contact with the tool.

### LUBRICATION:

As well as oiling the moving parts regularly, the grease in the gearbox will require replacement after extensive use of the saw. Refer to an authorised service agent to provide this service.

## MAINTENANCE...cont

- Loosen the locking nut on one of the bevel adjustment screws (33 or 34).
- Loosen the bevel lock (16).
- Pull out the bevel positive stop knob (39) whilst pushing the saw head to 45° either left or right depending on which adjustment screw has been loosened.
- Place a set square with an accurate 45° angle against the main table of the saw and the blade.
- Use a hex wrench to adjust the screw until the blade is at 45°.
- Re-tighten the locking nut ensuring that the angle is kept.
- If required loosen the screw on the angle pointer and adjust so that it reads 45°. Re-tighten the screw.

Follow these instructions on the opposite side to ensure that the blade is set to 45° in both directions.

### CHANGING THE BLADE:



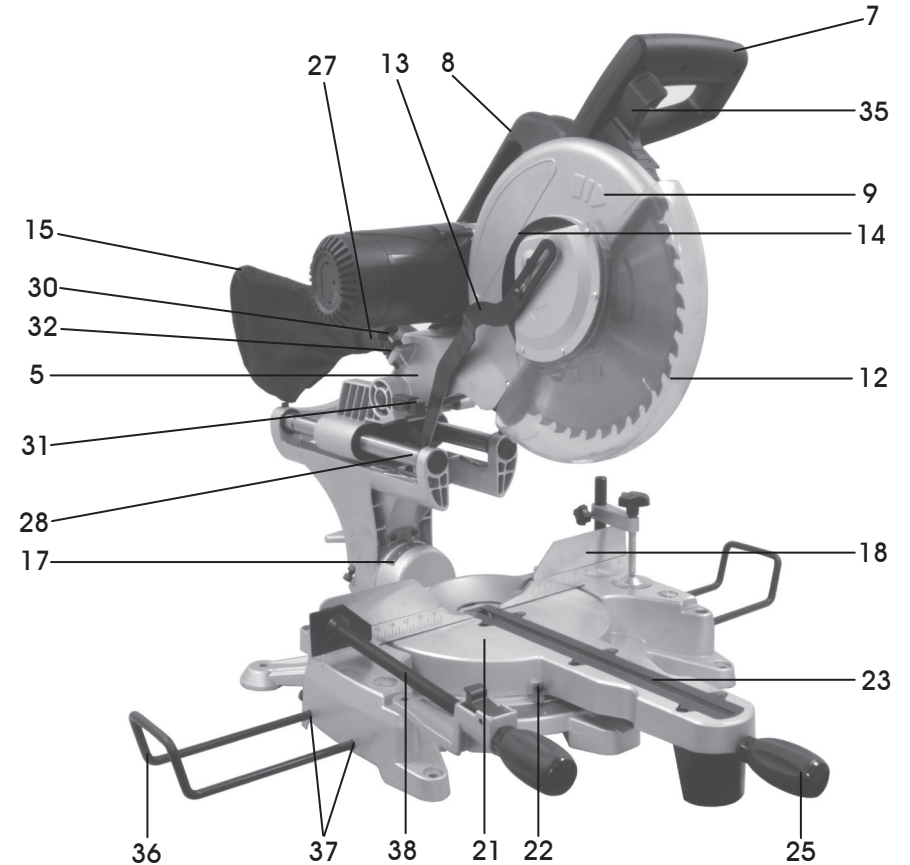
**Caution:** Always ensure that the replacement blade matches the specifications, as shown on page 8. **Never** fit a blade which is smaller or bigger than that stated.

- Pull on the release knob (6) and turn it through 90° to lock it "open"
- lift the saw arm (5) to its full height.
- Press the release latch (35) and slide the blade guard above the blade.
- With the blade guard held in place; remove the blade guard screw (14).
- Slide the black plate up to reveal the blade retaining bolt and flange.
- Press and hold the spindle lock button (26) whilst slowly turning the blade until the lock locates and stops the blade from spinning.
- Turn the blade retaining bolt clockwise (the bolt has a left handed thread) to loosen and remove.
- Slide the flange and the blade from the spindle and fit the new blade.
- Follow these instructions in reverse to secure the blade, ensuring that the blade direction is correct and that the contact surfaces of the blade and flange are flat and clean.



**Caution:** Ensure all screws / bolts are completely tight and that the blade guard works correctly before re-using the saw.

## GETTING TO KNOW YOUR SAW



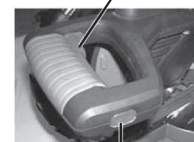
11 24 10



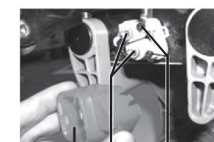
33 16 39 34



26



2



3

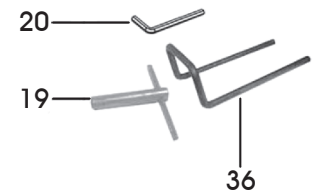
1

4



6

29



20

19

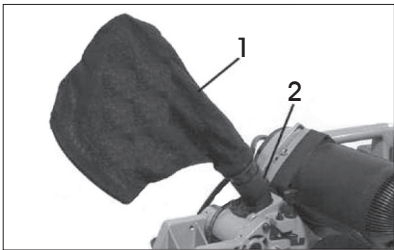
36

## GETTING TO KNOW YOUR SAW...cont

1	Laser assembly	21	Mitre table
2	Laser light on/off switch	22	Mitre scale
3	Laser cover	23	Table insert
4	Laser pitch control	24	Switch trigger
5	Saw arm	25	Mitre lock
6	Release knob	26	Spindle lock button
7	Operating handle	27	Dust extraction port
8	Carrying handle	28	Slide bars
9	Upper fixed blade guard	29	Slide lock
10	Clamp assembly	30	Trenching depth adjustment screw
11	Clamp assembly lock	31	Trenching stop
12	Moving blade guard	32	Trenching depth lock nut
13	Guard retraction arm	33	Bevel adjustment screw
14	Blade guard screw	34	Bevel adjustment screw
15	Dust bag	35	Release latch
16	Bevel lock	36	Side support bars
17	Bevel scale	37	Side support bar location holes
18	Fence	38	Clamp assembly
19	Blade wrench	39	Positive stop knob
20	Hex key (6mm)		

## ASSEMBLY INSTRUCTIONS

### Fitting The Dust Bag:



The dust bag (1) fits in the dust extractor port (2).



**Note:** For efficient operation, empty the dust bag when it is no more than half full, this allows better air flow through the bag.

## MAINTENANCE



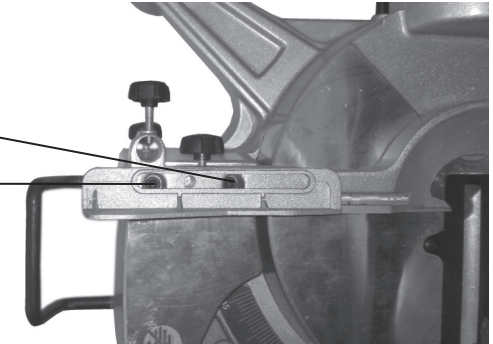
**Warning!** Always ensure that the saw is turned off and that the plug is disconnected from the mains supply before carrying out any adjustments, repairs or maintenance.

This saw is set up at the factory and should need no adjustment; however time and careless use can affect the angles and some adjustment may be required.

### CHECKING AND SETTING THE MITRE ANGLE:

- Loosen the slide lock (29); push the saw head back as far as it will go and re-tighten the slide lock (29).
- Loosen the mitre lock (25); turn the main table until the positive stop for 0° engages and the angle guide pointer is close to 0°.
- Re-tighten the mitre lock.
- If the pointer is not exactly set to 0° loosen the screw and turn the pointer until it is.
- Loosen the 4 (2 on each side of the saw) rear fence locking bolts and lower the blade to its lowest point; lock the saw head down with the release knob (6).

### Rear Fence Locking Bolts



- Place a square against the blade and rear fence and adjust the fence until an angle of exactly 90° is achieved.
- Proceed to tighten the rear fence locking bolts whilst ensuring that an angle of 90° is maintained.

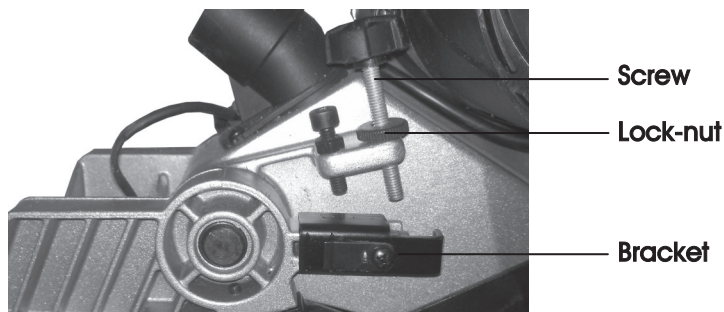
### CHECKING AND SETTING THE BEVEL ANGLE:

- Loosen the slide lock (29); push the saw head back as far as it will go and re-tighten the slide lock (29).
- Loosen the mitre lock (25); turn the main table until the positive stop for 0° engages and the angle guide pointer shows 0°.
- Re-tighten the mitre lock.

## OPERATING INSTRUCTIONS...cont

A compound mitre cut involves using a mitre angle and a bevel angle at the same time. It is used in making picture frames, to cut mouldings, making boxes with sloping sides and for roof framing. It is a good idea to make a test cut on a piece of scrap wood before cutting into the good material. Use the slide action when cutting wide work-pieces.

### USING THE DEPTH STOP:



- Slide the depth stop bracket to the right to engage the depth stop.
- Loosen the lock-nut.
- Adjust screw to the required depth.
- Once set to the desired depth; Tighten the lock-nut against the retaining bracket to lock the depth stop and ensure there is no movement due to vibration etc.

### Function:

Once the depth stop is set; the blade will not cut all the way through the work-piece (depending on the depth that it is set to). This will allow the operator to easily cut slots out of the work-piece if used in conjunction with the sliding function of the saw, it is advisable to check the cut depth on a scrap piece of wood.

Make a cut as explained in the main instruction manual then raise the main saw head above the work-piece. Move the work-piece (left or right) slightly and make another cut until the desired amount of wood is removed and the slot is complete.



**Note:** It may be necessary to clean the slot with a sharp chisel or by sanding.

## OPERATING INSTRUCTIONS



**Warning:** Do not stare into the laser beam as this is dangerous and will damage your eyes.

- Do not stare directly at the laser beam, never aim the beam at any person or an object other than the work-piece.
- Do not deliberately aim the beam at personnel and ensure that it is not directed towards the eye of a person.
- Always ensure the laser beam is aimed at a sturdy work-piece without reflective surfaces. Wood or rough coated surfaces are acceptable. Bright shiny reflective surfaces are not suitable for laser use as the reflective surface could direct the beam back at the operator.
- Always remember to switch off the laser on/off switch (2) after finishing a job, only turn the laser beam on when the work-piece is on the mitre saw table.

### CROSS-CUTTING (WITHOUT SLIDE ACTION):



**Note:** When cutting a narrow piece of wood it is not necessary to use the slide mechanism. In these cases ensure that the saw head is pushed back and the slide lock (29) is tight to prevent the saw arm from sliding.

A crosscut is made by cutting across the work-piece, a 90° crosscut is made with the mitre table set at 0°. Mitre crosscuts are made with the table set at any other angle.

- Pull on the release knob (6) and turn it through 90° to lock it "open"
- Lift the saw arm (5) to its full height.
- Loosen the mitre lock (25).
- Rotate the mitre table (21) until the pointer aligns with the desired angle.
- Retighten the mitre lock (25).



**Warning!** Be sure to tighten the mitre lock before making a cut. Failure to do so could result in the table moving during the cut and cause serious personal injury.

- Place the work-piece flat on the table with one edge securely against the fence (18).
- Turn on the laser by pressing the laser On/Off switch (2).
- Use the clamp assembly (10) to secure the work-piece.

## OPERATING INSTRUCTIONS...cont



**Note:** It is possible to remove the clamp assembly (10) by loosening the clamp assembly lock (11) and moving it to the other side of the table. Make sure the clamp assembly lock is tight before using the clamp.



**Note:** When cutting long pieces of timber, support the opposite end of the timber with the side support bars (36), a roller stand or a work surface that is level with the saw table.

- Hold the operating handle (7) firmly and squeeze the switch trigger (24); allow the blade to reach maximum speed.
- Press the release latch (35) and slowly lower the blade into and through the work-piece.
- Release the switch trigger (24) and allow the saw blade to stop rotating before raising the blade away from the work-piece.
- Ensure that the blade has stopped and that the saw head is returned to a position so that the guard is covering the blade before removing the work-piece.

### CROSS-CUTTING (WITH SLIDE ACTION):

- Unscrew the slide lock (29).
- Pull on the release knob (6), raise the saw arm (5) to its highest position and slide (pull) it towards you.
- Loosen the mitre lock (25).
- Rotate the mitre table (21) until the pointer aligns with the desired angle.
- Retighten the mitre lock (25).
- Place the work-piece flat on the table with one edge securely against the fence (18).
- Turn on the laser by pressing the laser On/Off switch (2).
- Use the clamp assembly (10) to secure the work-piece.
- Hold the operating handle (7) firmly and squeeze the switch trigger (24); allow the blade to reach maximum speed.
- Press the release latch (35) and slowly lower the blade onto and through the work-piece whilst sliding (pushing) it away from you at the same time until the work-piece is cut.
- Release the switch trigger (24) and allow the saw blade to stop rotating before raising the blade out of the work-piece.
- Ensure that the blade has stopped and that the saw head is returned to a position so that the guard is covering the blade before removing the work-piece.

## OPERATING INSTRUCTIONS...cont

### MAKING A BEVEL CUT:

A bevel cut of up to 45° (to the left or to the right) can be achieved by using the following method:

- Loosen the bevel lock handle (16) which is situated at the rear of the saw.
- Pull the positive stop knob (39) whilst pushing the saw head to the left or right, depending on the angle required.



**Note:** The positive stop knob (39) will stop the saw head at popular angles 15°, 30° & 45° left and right when released, but any angle between 0 and 45 can be selected by locking the bevel lock.

- Use the bevel scale (17) and pointer to set the head to the desired angle.
- Tighten the bevel lock handle (16) to secure the head at the desired angle.

Follow the previous instructions to perform the cut depending on the dimensions of the work-piece (see "cross cut with sliding action" or "cross cut without sliding action").

### MAKING A MITRE CUT:

A mitred angle of 45° left or right can be obtained using the following method.

- Loosen the mitre lock (25).
- Turn the table until the desired angle is indicated by the mitre scale (22).



**Note:** The mitre angle guide has positive stops at popular angles 15°, 22.5°, 30° & 45° left and right, but any angle between 0 and 45 can be selected by tightening the mitre lock (25).

- Tighten the mitre lock (25) to hold the desired angle.

Follow the previous instructions to perform the cut depending on the dimensions of the work-piece (see "cross cut with sliding action" or "cross cut without sliding action").

### MAKING A COMPOUND MITRE CUT:



**Note:** A compound mitre cut can also be performed by adjusting both angles (bevel and mitre) away from 90°