



12" Heavy Duty Table Saw



Please dispose of packaging for the product in a responsible manner. It is suitable for recycling. Help to protect the environment, take the packaging to the local amenity tip and place into the appropriate recycling bin.



Never dispose of electrical equipment or batteries in with your domestic waste. If your supplier offers a disposal facility please use it or alternatively use a recognised re-cycling agent. This will allow the recycling of raw materials and help protect the environment.

**FOR HELP OR ADVISE ON THIS PRODUCT PLEASE CALL OUR
CUSTOMER SERVICE HELP LINE : 01509 500359**

Ref:060406

**Please read and fully understand the instructions in this
manual before operation. Keep this manual safe for
future reference**

DECLARATION OF CONFORMITY

DECLARATION OF CONFORMITY

WE
SIP LTD
GELDERS HALL ROAD
SHEPSHED
LOUGHBOROUGH
LEICESTERSHIRE
LE12 9NH

Declare that the
12" Heavy Duty Table Saw SIP Pt No: 01446

Complies with the following EEC Directives their supporting Statutory
Instruments and the relevant standard where applicable:

98/37/EC	Machinery Directive
73/23/EEC as amended by 93/68/EEC	Low Voltage Directive
89/336/EEC as amended by 93/68/EEC	EMC Directive EN 55014-1+A1+A2 EN 61000-3-2:2000 EN 61000-3-11:2000 EN 55014-2:1997+A1

Signed:



Joint Managing Director

Date: 15 February 2006



PARTS LIST (C)

Ref. No.	Description	Qty.
C-30	Square Nut M6	4
C-31	Cross Recessed Pan Head Screw M6 X 16	4
C-32	Board Instead Of Nut	1
C-33	Cross Recessed Countersunk Screw	6
C-34	Left End Cap For Scale Indicator Housing	1
C-35	Scale Indicator Housing	1
C-36	Right End Cap For Scale Indicator Housing	1
C-37	Scale Indicator	1
C-38	External Teeth Lock Washer 5	3
C-39	Cross Recessed Pan Head Screw M5 X 10	3
C-40	Square Nut M5	3
C-41	Small Gear	1
C-42	Gear Rod	1
C-43	Eccentric Wheel	1
C-44	Gear Rod Frame	1
C-45	Spring For Gear Rod	1
C-46	Hexagon Socket Set Screw With Flat Point M6 X 5	2
C-47	Rip Fence Handle	1
C-48	Rear Board	1
C-49	Pin 5 X 16	2
C-50	Rear Block	1
C-51	Lock Eccentric Rod	1
C-52	Lock Eccentric	2
C-53	Rip Fence Lock Rod	1
C-54	Rip Fence Handle	1
C-55	Rip Fence Cover	1
C-56	L-Shape Fence	1
C-57	Step Bolt M6 X 70	2
C-58	Large Washer 6	2
C-59	Wing Nut M6	2

CONTENTS

Page No.	Description
3.	Contents
4.	General Safety Instructions
6.	Specific Safety Instructions
7.	Safety Devices
7.	Safety Symbols
8.	Safety Symbols Used Throughout This Manual
8.	Technical Specifications
9.	Accessories
10.	Getting To Know Your Saw
11.	Specified Conditions Of Use.
11.	Guarantee
12.	Electrical Connection
13.	Assembly Instructions
22.	Operating Instructions
25.	Care And Maintenance
29.	Troubleshooting
31.	Optional extras
32.	Exploded diagram (A)
33.	Parts list (A)
35.	Exploded diagram (B)
36.	Parts list (B)
40.	Exploded diagram (C)
41.	Parts list (C)
43.	Declaration Of Conformity

GENERAL SAFETY INSTRUCTIONS

Please read the following instructions carefully, **failure to do so could lead to serious personal injury.**

When using electric tools, basic safety precautions should always be followed to reduce the risk of fire, electric shock and personal injury.

Read all these instructions before operating the tool and save this user manual for future reference.

SIP recommends that this tool should **not** be modified or used for any application other than that for which it was designed. If you are unsure of its relative applications do not hesitate to contact us using the telephone number on the back of this user manual, and we will be more than happy to advise you.

KNOW YOUR POWER TOOL: Read and understand the owner's manual and labels affixed to the tool. Learn its applications and limitations, as well as the potential hazards specific to this tool.

KEEP WORK AREA CLEAN AND WELL LIT: Cluttered work benches and dark areas invite accidents. Floors must not be slippery due to oil, water or sawdust etc.

DO NOT USE THE TOOL IN DANGEROUS ENVIRONMENTS: Do not use power tools in damp or wet locations, or expose them to rain. Provide adequate space surrounding the work area. Do not use in environments with a potentially explosive atmosphere.

KEEP CHILDREN AND UNTRAINED PERSONNEL AWAY FROM THE WORK AREA: All visitors should be kept at a safe distance from the work area.

STORE TOOLS SAFELY WHEN THEY ARE NOT IN USE: All tools should be stored in a dry, locked cupboard wherever possible and out of the reach of children.

WEAR THE CORRECT CLOTHING: Do not wear loose clothing, neckties, rings, bracelets, or other jewellery, which may get caught in moving parts. Non-slip footwear is recommended. Wear protective hair covering to contain long hair. Roll long sleeves up above the elbow.

USE SAFETY GOGGLES AND EAR PROTECTION: Wear CE approved safety goggles at all times, Normal spectacles only have impact resistant lenses, they are **NOT** safety glasses. A face or dust mask should be worn if the operation is dusty and ear protectors (plugs or muffs) should be worn, particularly during extended periods of operation.

PROTECT YOURSELF FROM ELECTRIC SHOCK: When working with power tools, avoid contact with any earthed items (e.g. pipes, radiators, hobs and refrigerators, etc.). It is advisable wherever possible to use an RCD (residual current device) at the mains socket.

STAY ALERT: Always watch what you are doing and use common sense. Do not operate a power tool when you are tired or under the influence of alcohol or drugs.

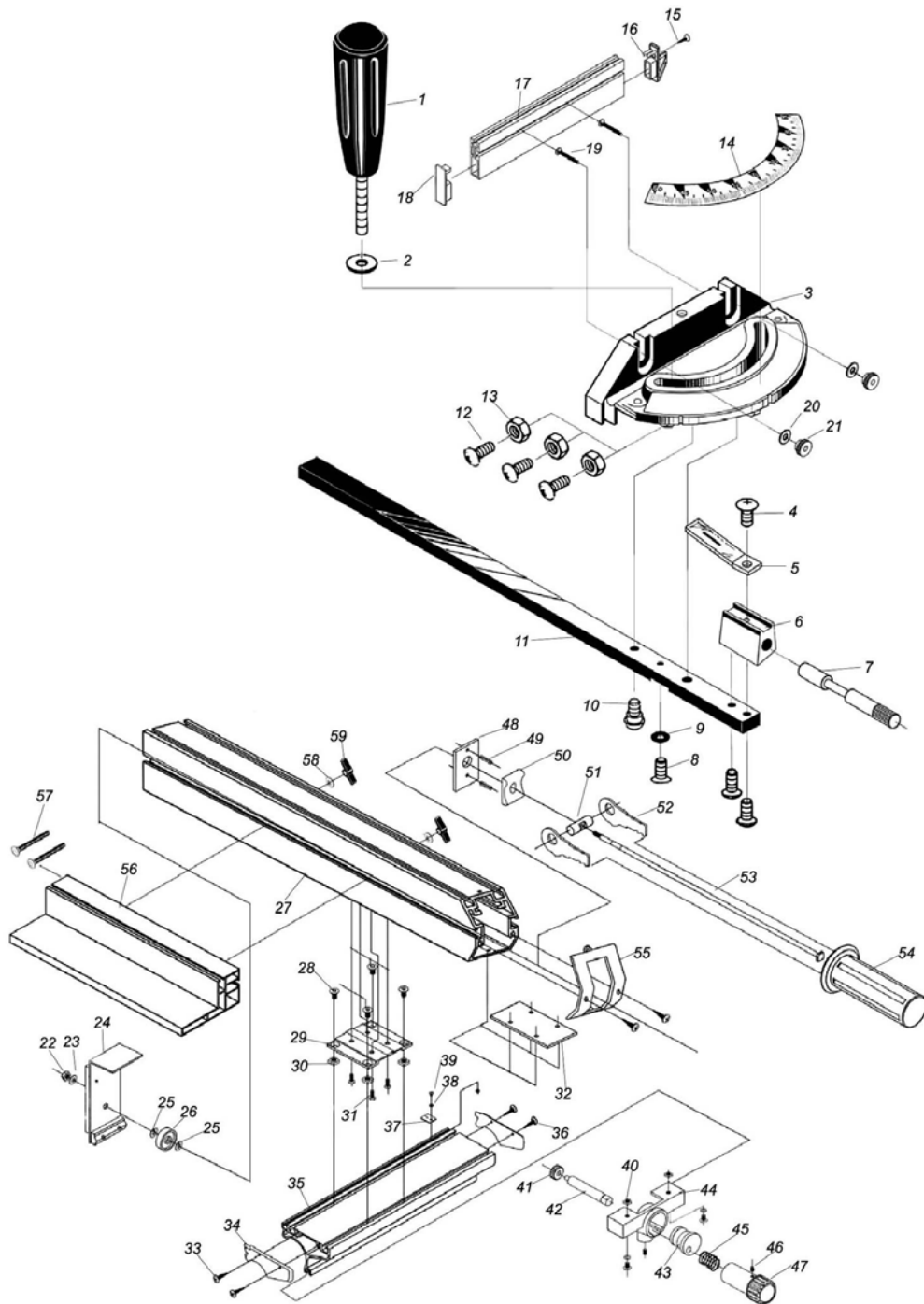
DISCONNECT THE TOOL FROM THE MAINS SUPPLY: When not in use, before servicing and when changing accessories such as cutters, blades etc.

AVOID UNINTENTIONAL STARTING: Make sure the switch is in the **OFF** position before connecting the tool to the mains supply.

PARTS LIST (C)

Ref. No.	Description	Qty.
C-1	Lock Handle For Miter Gauge	1
C-2	Large Washer 8	1
C-3	Miter Gauge	1
C-4	Cross Recessed Pan Head Screw M5 X 10	3
C-5	Miter Gauge Pointer	1
C-6	Miter Gauge Block	1
C-7	Stop Pin	1
C-8	Cross Recessed Countersunk Head Screw M5 X 8	1
C-9	Guide Board Washer	1
C-10	Shoulder Screw	1
C-11	Guide Board	1
C-12	Cross Recessed Pan Head Screw M4 X 8	3
C-13	Hexagon Nut M4	3
C-14	Scale	1
C-15	Cross Recessed Countersunk Screw	1
C-16	End Cap A For Dial Fence	1
C-17	Dial Fence	1
C-18	End Cap B For Dial Fence	1
C-19	Step Bolt M6 X 35	2
C-20	Washer 6	2
C-21	Flower Nut	2
C-22	Hexagon Nut M8	1
C-23	Washer 8	1
C-24	End Lock Plate	1
C-25	Spring Ring D6	2
C-26	Rolling Wheel	1
C-27	Rip Fence	1
C-28	Cross Recessed Countersunk Head Screw M6 X 12	4
C-29	Fence Plate	1

EXPLODED DIGRAM (C)



GENERAL SAFETY INSTRUCTIONS....cont

NEVER LEAVE THE TOOL RUNNING / CONNECTED WHILST UNATTENDED:

Turn off the tool and disconnect it from the mains supply between jobs. Do not leave machine until it comes to a complete stop.

DO NOT ABUSE THE MAINS LEAD: Never carry the tool by the mains lead or pull it to remove the plug from the mains socket. Keep the mains lead away from heat, oil and sharp edges. If the mains lead is damaged, it must be replaced by the manufacturer or its service agent or a similarly qualified person in order to avoid unwanted hazards.

CHECK FOR DAMAGED PARTS: Before every use of the tool, a guard or other part that is damaged should be carefully checked to determine that it will operate correctly and perform its intended function. Check for alignment of moving parts, free running of moving parts, breakage of parts, and any other conditions that may affect its operation. A guard or other part that is damaged should be correctly repaired or replaced by an authorized service centre unless otherwise indicated in this instruction manual. Have defective switches replaced by an authorized service agent. Do not use the tool if the switch does not turn it on and off.

KEEP ALL GUARDS IN PLACE: And in full working order.

MAINTAIN TOOLS WITH CARE: Keep tools sharp and clean for the best and safest performance. Follow instructions for lubricating and changing accessories. All extension cables must be checked at regular intervals and replaced if damaged. Always keep the hand grip on the tool clean, dry and free of oil and grease.

USE ONLY RECOMMENDED ACCESSORIES: Consult this user manual for recommended accessories. Follow the instructions that accompany the accessories. The use of improper accessories may cause hazards and will invalidate any warranty you may have.

REMOVE ADJUSTING KEYS AND WRENCHES: Form a habit of checking to see that keys and adjusting wrenches are removed from the tool before every use.

SECURE THE WORKPIECE: Use clamps or a vice to hold the work-piece. This frees up both hands to operate the tool.

DO NOT OVERREACH: Keep proper footing and balance at all times.

USE THE RIGHT TOOL: Do not use the tool or attachment to do a job for which it was not designed.

DO NOT FORCE THE TOOL: It will do the job better and more safely at the rate which it was designed.

DO NOT OPERATE POWER TOOLS IN EXPLOSIVE ATMOSPHERES: Do not use the tool in the presence of flammable liquids, gases, dust or other combustible sources. Power tools may create sparks which can ignite the dust or fumes.

DO NOT EXPOSE THE TOOL TO RAIN OR USE IT IN WET CONDITIONS: Water entering a power tool will greatly increase the risk of electric shock.

HAVE YOUR TOOL REPAIRED BY A QUALIFIED PERSON: The tool is in accordance with the relevant safety requirements. Repairs should only be carried out by qualified persons using original spare parts, otherwise this may result in considerable danger to the user.

SPECIFIC SAFETY INSTRUCTIONS

1. Use only the blade flange specified for this tool.
2. Be careful not to damage the arbor, flange (especially the installing surface) or bolt. Damage to these parts could result in blade breakage.
3. Make sure that the table base is properly secured so it will not move during operation.
4. For your safety; remove the chippings and work debris etc. from the table top and from inside the extraction port before each operation.
5. Avoid cutting nails / screws etc; Remove all obstructions from the work-piece before cutting.
6. Make sure the arbor lock is released before switching on the saw.
7. Be sure that the blade does not come into contact with the base when the blade is in the lowest position.
8. Hold the handle firmly.
9. Do not perform any operation freehand. The work-piece must be secured firmly against the base and guide fence with the clamp during all operations; Using your hand may cause severe injury.
10. Keep hands out of path of saw blade, never reach around saw blade.
11. Make sure the blade is clear of the work-piece before the switch is turned on.
12. Before making the first cut using the saw, let it run for a while; Watch for vibration or wobbling that could indicate poor installation or a poorly balanced blade. Adjust or replace as necessary.
13. Allow the blade to run up to full speed before cutting.
14. Stop operation immediately if you notice anything abnormal.
15. Do not attempt to lock the trigger in the **ON** position.
16. Wait for the saw blade to stop completely and remove from mains supply before servicing or adjusting tool.
17. Be alert at all times, especially during repetitive, monotonous operations. Don't be lulled into a false sense of security. Blades are extremely unforgiving.
18. Use of improper accessories such as abrasive wheels may cause damage to the saw and surrounding area as well as increasing the risk of injury.
19. Turn off the saw and wait for it to complete stop before moving work-piece or changing settings.
20. To reduce the risk of injury, return, carriage to the full rear position after each crosscut operation.
21. Do not modify the saw to do tasks other than those intended.



CAUTION: The warnings and cautions mentioned in this user manual can not cover all possible conditions and situations that may occur. It must be understood by the operator that common sense and caution are factors which cannot be built into this product, but must be applied.

PARTS LIST (B)

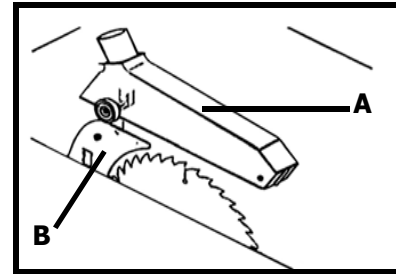
Ref. No.	Description	Qty.
B-94	Elastic Lock	2
B-95	Lock Nail Bush	1
B-96	Hexagon Socket Cap Head Screw M6 X 25	1
B-97	Active Board	1
B-98	Active Board Block	1
B-99	Lock Handle	1
B-100	Handle Sleeve	1
B-101	Lock Handle Spring	1

PARTS LIST (B)

Ref. No.	Description	Qty.
B-63	Motor Wheel	1
B-64	Hexagon Socket Cap Head Screw M8X24	7
B-65	Single Coil Spring Lock Washer 8	7
B-66	Rotation Press Block	2
B-67	Adjusting Cradle	1
B-69	Hexagon Nut M12	1
B-70	Single Coil Spring Lock Washer 12	1
B-71	Worm- Wheel	1
B-72	Eccentric Sleeve	1
B-73	Hexagon Socket Cap Head Screw M8X30	1
B-74	Worm- Wheel Shaft Nail	1
B-75	Locking Block	1
B-76	Large Washer 8	2
B-77	Flower Bolt	1
B-78	Cross Recessed Pan Head Screw M5X12	2
B-79	Pointer Bracket	1
B-80	Pointer	1
B-81	Flat Washer 4	1
B-82	Single Coil Spring Lock Washer 4	1
B-83	Cross Recessed Pan Head Screw M4X10	1
B-84	Adjusting Worm-Wheel Bracket	1
B-85	Dust Collection Cover	1
B-86	Hexagon Socket Cap Head Screw M6X18	3
B-87	Neck Chain	1
B-88	Hexagon Head Bolt M6X25	2
B-89	Dust Collection Tube	1
B-90	Elliptic Neck Chain	1
B-91	Cross Recessed Countersunk Head Tapping Screw	5
B-92	Spanner Shaft	1
B-93	Hexagon Nut M5	1

SAFETY DEVICES

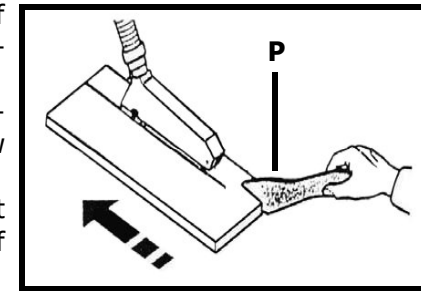
Blade guard:



- The blade guard (a) protects against unintentional contact with the saw blade and from airborne chips / debris.
- The riving knife (b) prevents the work-piece from being caught on the rising teeth of the saw blade and being thrown against the operator.

Note: Always have riving knife and blade guard installed during operation.

- The push stick (p) serves as an extension of the hand and protects against accidental contact with the saw blade.
- Use push stick particularly if distance between rip fence and the saw blade is below 120 mm.
- In order for the push stick to be always at hand, it should be stored within easy reach of the machine.



SAFETY SYMBOLS



When using the saw always ensure the operator as well as those in the area wear ear protection.



When using the saw always ensure the operator as well as those in the area wear eye protection.



Some wood and wood composites have the potential to be highly toxic; always wear a face mask when operating saw.

SAFETY SYMBOLS USED THROUGHOUT THIS MANUAL



Danger / Caution: Indicates risk of personal injury and/or the possibility of damage.



Warning: Risk of electrical injury or damage!



Note: Supplementary information.



Drawing-in / trapping hazard! Risk of personal injury to body parts or clothing by being drawn into the rotating saw blades.

TECHNICAL SPECIFICATIONS

Part number	01446
Input voltage	230v / 50 hz
Input fuse rating	16 amps
Power	3000 watts
Maximum speed (no load)	4000 rpm
Blade outside Ø	315 mm
Blade bore Ø	30 mm
Blade tilt	0° - 45°
Main table size	800 mm (D) x 600 mm (W)
Table working height	860 mm
Extension table size	800 mm (D) x 440 mm (W)
Cutting capacity @ 0°	100 mm
Cutting capacity @ 45°	80 mm

PARTS LIST (B)

Ref. No.	Description	Qty.
B-32	Cross Recessed Countersunk Head Screw M8 X 30	1
B-33	Hexagon Head Bolt M8 X 65	1
B-34	Locking Nut For Motor Base	2
B-35	Motor Base	1
B-36	Hexagon Socket Cap Head Screw M5 X 12	2
B-37	Large Washer 5	4
B-38	Hand Wheel	2
B-39	Handle	2
B-40	Handle Bolt	2
B-41	Hexagon Socket Pan Head Screw M6 X 16	4
B-42	Flat Washer 6	12
B-43	Ball Bracket	1
B-44	Thread Rod Ball	1
B-45	Spring Dowel 4 X 28	1
B-46	Adjusting Thread Rod	1
B-47	Worm-Wheel Connecting Rod Nail A	1
B-48	Worm-Wheel Connecting Rod	1
B-49	Worm-Wheel Connecting Rod Nail B	1
B-50	Connecting Rod Bush	1
B-51	Hexagon Nut M6	6
B-52	Adjusting Frame	1
B-53	Cir-clip For Shaft D=24	2
B-54	Knuckle	1
B-55	Thin Nut M12	2
B-56	Height Adjustment Rod	1
B-57	Cross Recessed Countersunk Head Screw M5 X 32	1
B-58	Motor	1
B-59	Hexagon Head Bolt M8 X 40	6
B-60	Key 8X7X50	1
B-61	Hexagon Socket Set Screw With Flat Point M6X9	1
B-62	Hexagon Socket Set Screw With Flat Point M6X6	1

PARTS LIST (B)

Ref. No.	Description	Qty.
B-1	Blade Nut M16 (Left Hand)	1
B-2	Outer Blade Washer	1
B-3	Blade	1
B-4	A-Belt	1
B-5	Pulley	1
B-6	Key (A-Type)	1
B-7	Arbor Shaft	1
B-8	Bearing 80203	2
B-9	Arbor Shaft Sleeve	1
B-10	Arbor Shaft Bush	1
B-11	Cir-clip For Hole D=40	2
B-12	Arbor Shaft End Bush	1
B-13	Press Wheel	1
B-14	Single Coil Spring Lock Washer 6	1
B-15	Hexagon Head Bolt M6 X 16	1
B-16	Hexagon Head Bolt M8 X20	4
B-17	Flat Washer 8	18
B-18	Press Board For Riving Knife	1
B-19	Riving Knife	1
B-20	Flower Nut	1
B-21	Large Washer 6	1
B-22	Step Bolt M6 X 46	1
B-23	Blade Guard	1
B-24	Hexagon Nut M8	11
B-25	Hexagon Socket Set Screw With Flat Point M8 X 25	4
B-26	Hexagon Socket Cap Head Screw M10 X 30	1
B-27	Locking Nut With Plastic Insert M8	2
B-28	Riving Knife Bracket	1
B-29	Connecting Rod	1
B-30	Cross Recessed Countersunk Screw M8 X 20	1
B-31	Bush	1

ACCESSORIES



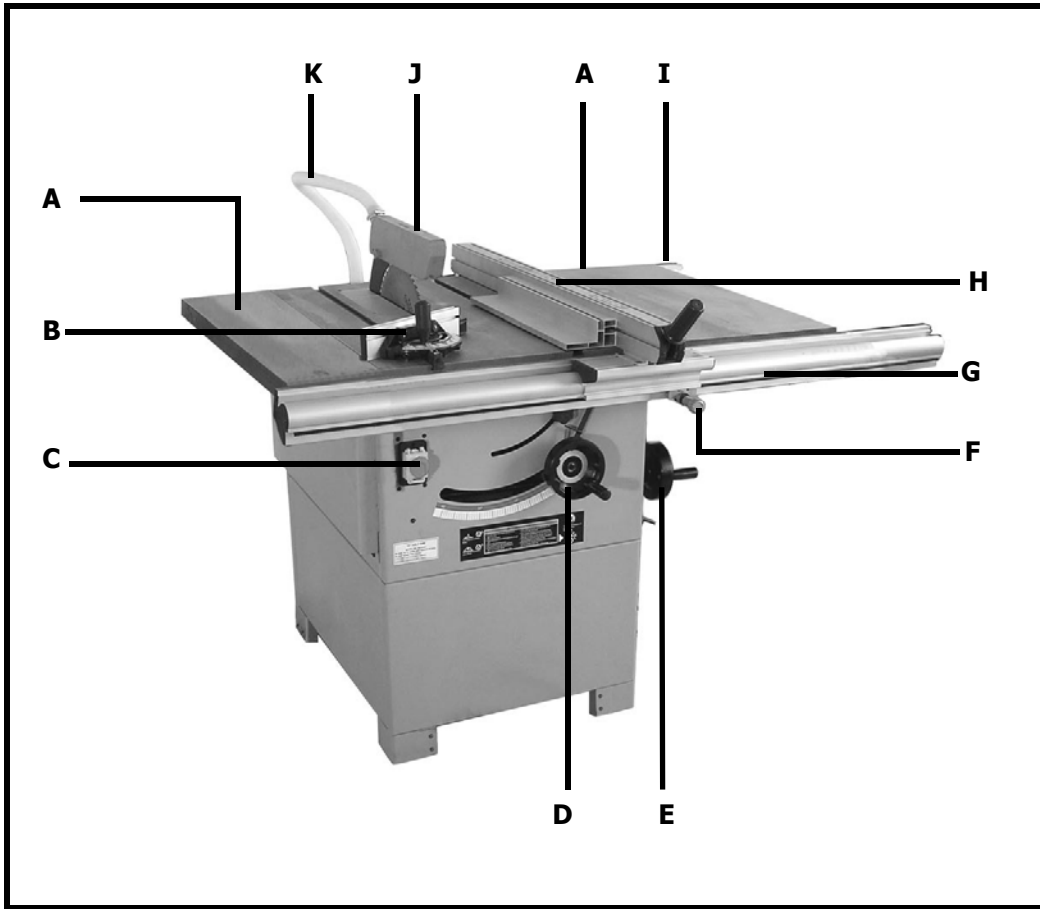
Caution: To avoid damage or injury, do not attempt to assemble or use the saw if any parts are missing or damaged.

Main saw assembly.
 Main saw base (4 pieces, 2 x side panels, 1x front panel and 1 x rear panel = 1 set).
 Feet (4 pieces = 1 set).
 2 x Table extensions.
 Mitre gauge.
 Auxiliary fence (mitre gauge).
 Rip fence.
 Auxiliary fence (rip-fence).
 Rip-fence micro adjust assembly (inc. fixing bolts).
 Front rail.
 Rear rail.
 Blade guard.
 Fixing kit.
 Extraction hose outlet adaptor (inc. 4 x screws, nuts and bolts).
 Internal extraction hose (larger Ø).
 Outlet to blade guard extraction hose (smaller Ø).
 2 x Pipe clips (larger Ø).
 2 x Pipe clips (smaller Ø).
 Arbor nut wrench.
 Arbor lock shaft.
 Push stick.
 Mounting plate for mobile wheel kit (SIP Part no. 06920) *
 Fixing kit (nuts, bolts etc).

* The wheel kit is an optional extra and is not supplied with this saw as standard equipment.

IF ANY OF THE ABOVE ITEMS ARE MISSING or DAMAGED; CONTACT YOUR DISTRIBUTOR IMMEDIATELY.

GETTING TO KNOW YOUR SAW



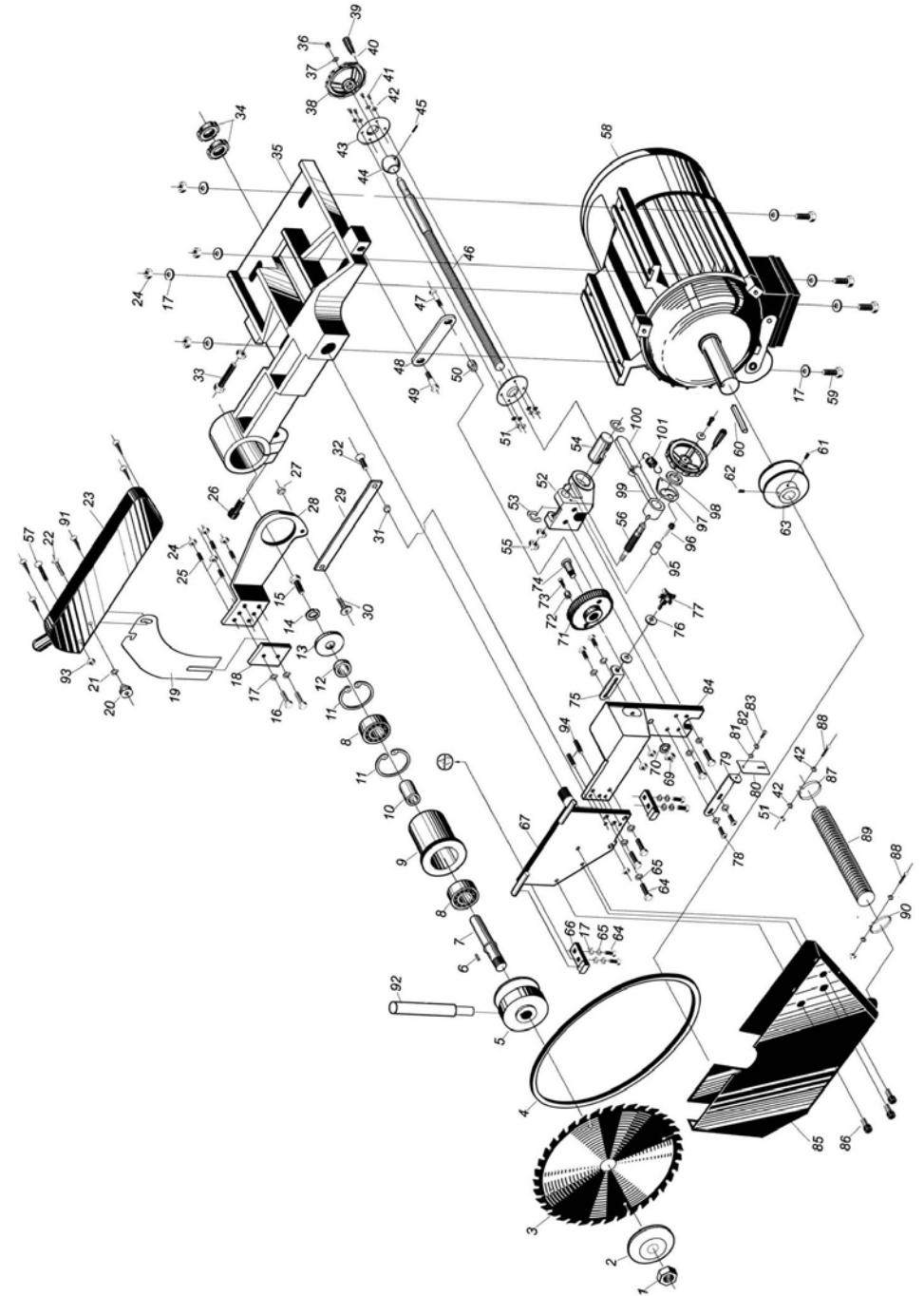
Ref: Description

- A.** Extension Table
- B.** Mitre Gauge
- C.** Main ON/OFF (NVR) Switch
- D.** Blade Height Adjustment
- E.** Blade Angle Adjustment
- F.** Fence Micro Adjust

Ref: Description

- G.** Front Fence Rail
- H.** Rip-Fence
- I.** Rear Fence Rail
- J.** Blade guard
- K.** Extraction Hose

EXPLODED DIAGRAM (B)



PARTS LIST (A)

Ref. No.	Description	Qty.
A-43	Switch House	1
A-44	Switch	1
A-45	Washer 4	9
A-46	Cross Recessed Pan Head Screw M4 X 10	7
A-47	Tie-In	1
A-48	Hexagon Nut M6	4
A-49	Hexagon Head Bolt M8 X 12	28
A-50	Washer 8	57
A-51	Hexagon Nut M8	28
A-52	Stand Level Foot	4
A-53	Front Panel For Stand	1
A-54	Rear Panel For Stand	1
A-55	Left Side Panel For Stand	1
A-56	Right Side Panel For Stand	1
A-57	Cross Recessed Countersunk Head Screw M6 X 16	4
A-58	Cross Recessed Countersunk Screw	2
A-59	Switch Bottom Board	1
A-60	Lock Nut M8	1
A-61	Knob	1
A-62	Copper Washer 6	2
A-63	Strain Relief M20	1
A-64	Wire Strain	1
A-65	Washer 5	1
A-66	Cross Recessed Countersunk Head Screw M5 X 18	1
A-67	External Teeth Lock Washer 5	1
A-68	Earth-Plate	1
A-69	Hexagon Nut M6	1
A-70	Mounting plate for mobile wheel kit	1

SPECIFIED CONDITIONS OF USE

- This machine is intended to rip and crosscut grown timber, faced boards, chip board, wood-core plywood sheets and similar wood-derived materials.
- Do not cut round stock without suitable jigs or fixtures, the rotating saw blade could turn the work-piece.
- When sawing thin stock on edge, a suitable guide must be used for firm support.
- The use of wobble (or similar) type saw blades is not permitted on this machine.



Caution: Use, other than that specified is not permitted.

- Use not specified, alteration of the saw or use of parts that are not approved by the equipment manufacturer can cause unforeseen damage and / or personal injury to the operator as well as those in the working area.

GUARANTEE

Guarantee:

This sip "pro" table saw is covered by a 24 month parts and labour warranty covering failure due to manufacturers defects. This does not cover failure due to misuse or operating the machine outside the scope of this manual.

In the unlikely event of warranty claims, contact your distributor or contact our help line on the back page of this manual.



Note: Proof of purchase will be required before any warranty can be honoured.


ELECTRICAL CONNECTION

Connecting to the power supply:

This sip "pro" table saw is supplied without a plug fitted; due to the fuse rating (16 amps) the saw is not classed as a "domestic item". A plug with a rating of at least 16 amps (and an adequate supply) will have to be fitted prior to use, alternatively the saw could be hard wired into an adequate supply. Each time you use your saw inspect the cable and plug to ensure that neither are damaged. If any damage is visible have the tool inspected / repaired by a suitably qualified person.

The wires for the plug are coloured in the following way:

Yellow / green	Earth
Blue	Neutral
Brown	Live

As the colours of the wires may not correspond with the markings in your plug, proceed as follows: The wire which is coloured blue, must be connected to the terminal marked with N or coloured black. The wire which is coloured brown, must be connected to the terminal, which is marked L or coloured red. The wire which is coloured yellow / green should be connected to the terminal which is coloured the same or marked 

Always secure the wires in the plug terminal carefully and tightly. Secure the cable in the cord grip carefully.



Warning: Never connect live or neutral wires to the earth terminal of the plug. Only fit an approved plug with the correct rated fuse (16 amp). If in doubt consult a qualified electrician.



Note: Always make sure the mains supply is of the correct voltage and the correct fuse protection is used. In the event of replacing the fuse always use a 16A fuse.



Note: If an extension lead is required in order to reach the mains supply; ensure that this too is rated for the correct voltage and fuse rating (16 amps).

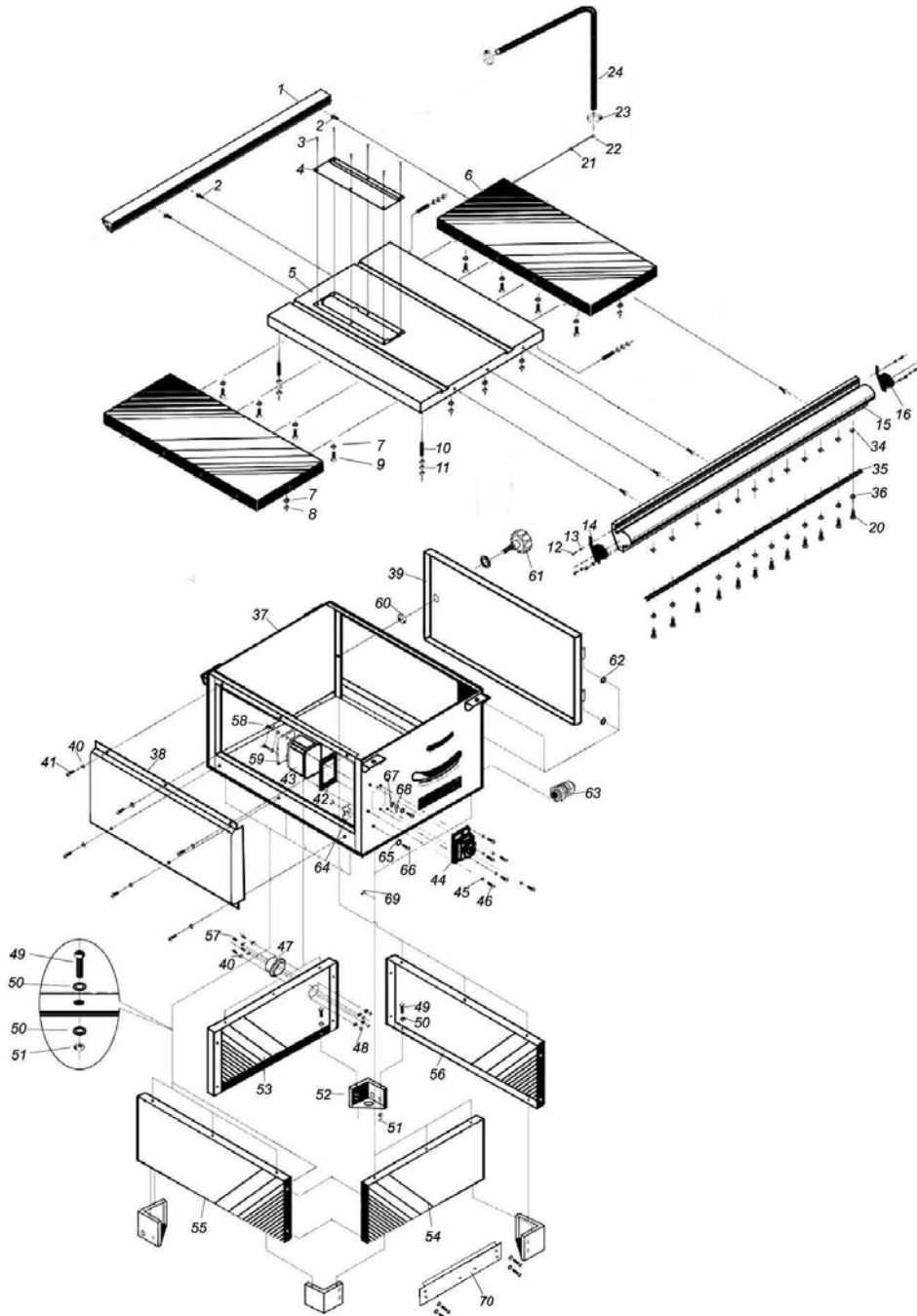


Note: The cross section of the extension lead should be checked so that it is of sufficient size so as to reduce the chances of voltage drops.

PARTS LIST (A)

Ref. No.	Description	Qty.
A-1	Rear Rail	1
A-2	Step Bolt M8 X 25	9
A-3	Cross Recessed Countersunk Head Screw M5 X 6	5
A-4	Insert	1
A-5	Worktable	1
A-6	Extension Table	2
A-7	Washer 8	16
A-8	Hexagon Nut M8	7
A-9	Hexagon Head Bolt M8 X 20	8
A-10	Slotted Set Screw With Flat Point M10 X 80	4
A-11	Hexagon Nut M10	12
A-12	Cross Recessed Pan Head Screw	6
A-13	Washer 4	6
A-14	Left End Cap For Front Rail	1
A-15	Front Rail	1
A-16	Right End Cap For Front Rail	1
A-20	Cross Recessed Pan Head Screw M5 X 8	12
A-21	Washer 6	1
A-22	Hexagon Socket Cap Head Screw M6 X 15	1
A-23	Neck Chain	2
A-24	Dust Collection Tube	1
A-29	Nut Board	2
A-34	Square Nut M5	12
A-35	Rack	4
A-36	External Teeth Washer 5	12
A-37	Base	1
A-38	Left Side Panel For Base	1
A-39	Right Side Panel For Base	1
A-40	Washer 6	14
A-41	Hexagon Socket Cap Head Screw M6X20	6
A-42	Rubber Washer Of Switch House	1

EXPLODED DIAGRAM (A)



ASSEMBLY INSTRUCTIONS

- Remove the sides and top of the packing container (leave the saw inverted and on the bottom of the container).
- Remove all the other packaging and loose parts of the saw and check them against the list on page 8 of this user manual to ensure that all of the parts are accounted for.

Fitting the stand:

- Locate the 2 x side sections and the 1 x front and 1 x rear sections of the saw stand and the fixing kit.



Note: Although the front and rear panels are the same size, the rear panel is the one with the hole to allow the extraction outlet to be fitted.

- Fix all of the panels in their appropriate locations to the main body of the saw by means of:-

- ⇒ 8 x M8 x 12 mm bolts.
- ⇒ 16 x 8 mm washers (one above and one below the panel / main body).
- ⇒ 8 x M8 nuts.



Note: Do not fully tighten the nuts / bolts at this time.

- Fix all the panels together by means of :-

- ⇒ 8 x M8 x 12 mm bolts.
- ⇒ 16 x 8 mm washers.
- ⇒ 8 x M8 nuts.

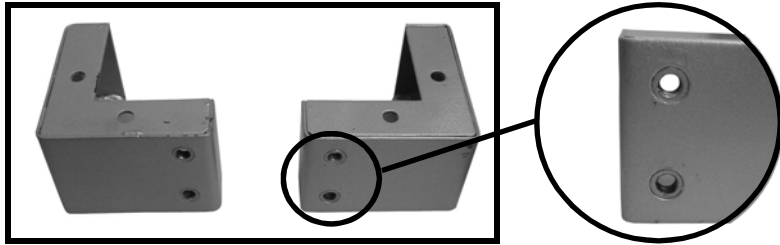
Fitting the feet:

- Locate the 4 x feet.



Note: Although all 4 feet look similar, there are some differences that mean that each foot should only be fitted in its correct position. This is to allow you to fit the optional wheel kit (SIP Part no. 06920) should you wish to at a later date.

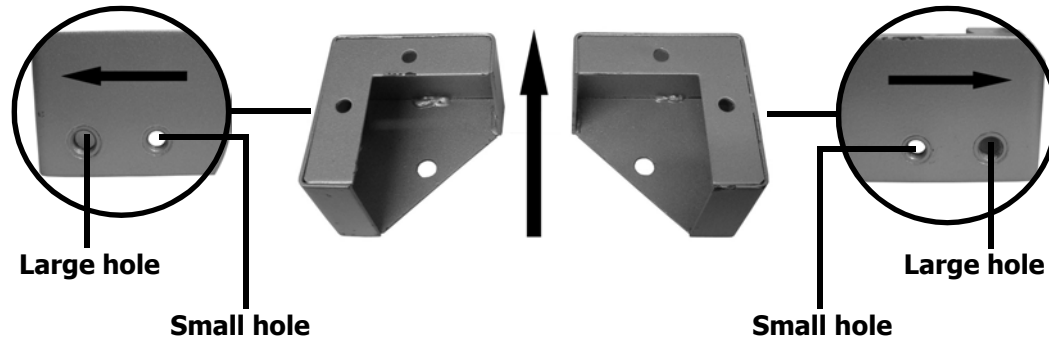
ASSEMBLY INSTRUCTIONS...cont



Fit the 2 x front feet by means of:-

- ⇒ 4 x M8 x 12 mm bolts.
- ⇒ 8 x 8 mm washers.
- ⇒ 4 x M8 nuts.

- The 2 x identical threaded holes (as shown above) should be vertical and on the front edge of the saw if they have been fitted correctly.



Fit the 2 x rear feet by means of:-

- ⇒ 4 x M8 x 12 mm bolts.
- ⇒ 8 x 8 mm washers.
- ⇒ 4 x M8 nuts.

- There are 2 x differently sized threaded holes on the rear feet, the arrows above should be facing towards the rear of the saw with the larger threaded hole furthest back if the feet have been fitted correctly.
- Proceed to fully tighten all the nuts / bolts to fully secure the panels to the main saw body, the panels to each other and the feet to the panels.



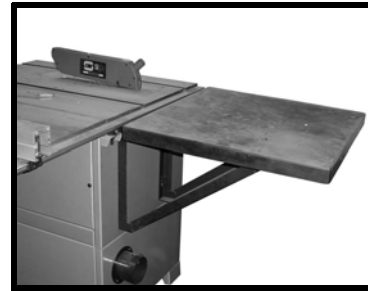
Note: The pictures are shown as if the saw was the correct way up rather than upside down.

OPTIONAL EXTRAS

There are a number of optional extras available for this SIP Pro table saw. They have been designed to make the saw as adaptable and as user friendly as possible.

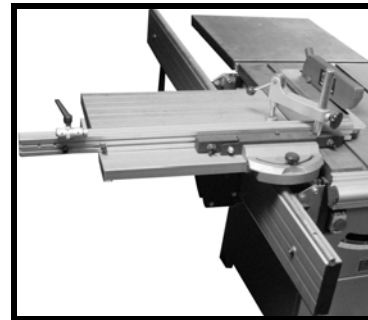
Rear Extension Table - SIP part number: 01448.

The rear extension table provides extra support to larger work-pieces.



Sliding Carriage - SIP part number: 01447.

The sliding carriage makes cutting larger work-pieces easier and safer by providing extra support (particularly useful when cutting large sheets such as plywood etc).



Wheel kit - SIP part number: 06920.

The wheel kit allows the saw to be effortlessly moved from point to point, The same kit also fits most of the other SIP Pro woodworking products. *

* Please note that a retro fit kit may be required to allow the wheel kit to fit some older versions of the SIP Pro range.

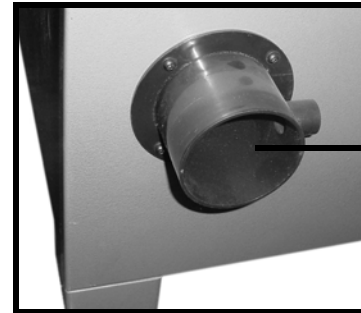
TROUBLESHOOTING....cont

Problem	Possible cause	Possible solution
Table saw vibrates excessively:	<ul style="list-style-type: none"> • Floor surface is uneven. • V-belt is damaged. • Saw blade is damaged. • Loose bolt, Screws, Nuts. 	<ul style="list-style-type: none"> • Sit the saw on a level surface. • Replace the V-belt. • Replace the Saw Blade. • Tighten all Hardware.
Table saw does not start:	<ul style="list-style-type: none"> • Mains lead is not connected to the mains supply. • Circuit fuse is blown. • Circuit breaker has tripped. • Mains lead or Switch is damaged. 	<ul style="list-style-type: none"> • Connect the mains lead to the electrical outlet. • Replace circuit fuse. • Reset circuit breaker. • Have the Mains lead or Switch checked, repaired or replaced.
Power Switch does not operate:	<ul style="list-style-type: none"> • Power Switch contacts are burned out. • Capacitor is defective. • Wiring connections are loose or damaged. 	<ul style="list-style-type: none"> • Have the Power Switch checked, repaired or replaced. • Have the Capacitor checked, repaired or replaced. • Have the wiring connections checked / repaired.
Fuses or circuit breakers blow or open frequently:	<ul style="list-style-type: none"> • Motor is overloaded. • Fuses or circuit breakers are wrong size or defective. • Dull saw blade. • Power Switch or motor is defective. 	<ul style="list-style-type: none"> • Feed work-piece more slowly. • Replace fuses or circuit breakers. • Replace the saw blade. • Have the Power Switch or motor checked, repaired or replaced.
Table Saw is noisy when running:	<ul style="list-style-type: none"> • Motor is loose or defective. 	<ul style="list-style-type: none"> • Have the Motor checked /repaired.

ASSEMBLY INSTRUCTIONS....cont

Fitting the extraction assembly:

- Fit the extraction hose outlet adaptor to the rear panel of the saw stand by means of:-
 - ⇒ 4 x cross head M6 x 16 mm screws.
 - ⇒ 8 x 6 mm washers.
 - ⇒ 4 x M6 nuts.

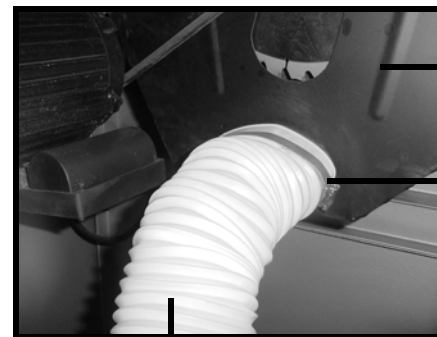


Extraction hose outlet adaptor



Note: The pictures show the saw the correct way up rather than upside down.

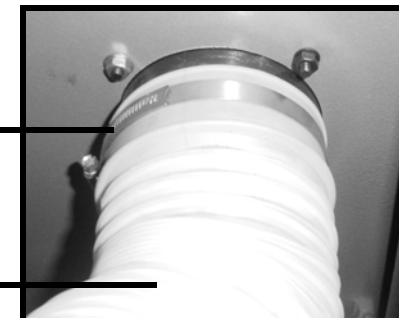
- Slide the 2 pipe clips (larger Ø) over the ends of the internal extraction hose.
- Fit the internal extraction hose from the back of the adaptor to the internal dust collection cover.



dust collection cover

Pipe clips

Internal extraction hose



- Tighten the pipe clips to secure the extraction hose in place.

ASSEMBLY INSTRUCTIONS....cont

- The saw can now be turned the correct way up and completely removed from it's packaging.



Caution: Due to the weight of the saw 2, or more persons will be required to safely lift and turn the saw, and to fit the extension tables (see below).

Fitting the extension tables:



Note: The saw can be used without the extension tables fitted, with one fitted to the left of the main table, one fitted to the right of the main table or with both tables fitted (left and right).

- Set the extension table to the side of the main saw bed of the saw.
- Ensure the 4 holes on the extension table line up with the 4 threaded holes on the main bed of the saw.
- Secure the extension table by means of :-
 - ⇒ 4 x M8 x 20 mm bolts.
 - ⇒ 4 x 8 mm washers.



Note: Ensure the bolts are fairly tight but not fully tightened at this point as some adjustments are still required to ensure the table is correctly located. It will make setting the extension table easier if the top of the extension table sits just higher than the main table after this operation is complete.



- The above instructions should be followed until both the left and right hand extension tables (if required) are fitted (but not correctly set).

Setting the extension table / tables:

- A soft mallet is required (not supplied) to safely carry-out the operation of setting the extension tables. If one is not available, a scrap piece of wood and a hammer will suffice.

TROUBLESHOOTING

Problem

Possible cause

Possible solution

Motor is slow or weak:

- Voltage from source is low.
- Windings are burned out or open.
- NVR Switch is defective.
- Circuit is overloaded with appliances lights or other electrically powered equipment

- Request a voltage check from local power company.
- Have the Motor checked, repaired or replaced.
- Have the NVR checked, repaired or replaced.
- Do not use other appliances or electrically powered equipment on the same circuit when using the Table Saw.

Motor regularly overheats:

- Voltage from source is low.
- Dull saw blade.
- Sawdust inside table saw is blocking airflow.

- Request a voltage check from the local power company.
- Replace the saw blade.
- Clean out the saw base.

When ripping, the cut burns the work-piece, or stalls the motor:

- blade teeth are dull.
- Work-piece is warped.
- Rip fence is not parallel with the saw blade.

- Sharpen or replace the blade.
- Replace the work-piece.
- Re-align the rip fence, and lock it in position.

Miter-gauge does not move freely:

- Miter gauge assembly is dirty.

- Loosen the miter gauge knob, clean and lubricate the Miter Gauge Rod.

Rip Fence does not move smoothly:

- Rip Fence is mounted incorrectly.

- Remove, and reposition the Rip Fence and lock it in position

Bevel & Height Handles are hard to turn:

- Sawdust has collected on the mechanisms inside the base.

- Clean and lubricate the mechanisms inside the base.

Saw blade does not lower when turning the Height Handle:

- Height Lock Handle is not fully released.

- Fully release the height Lock Handle.

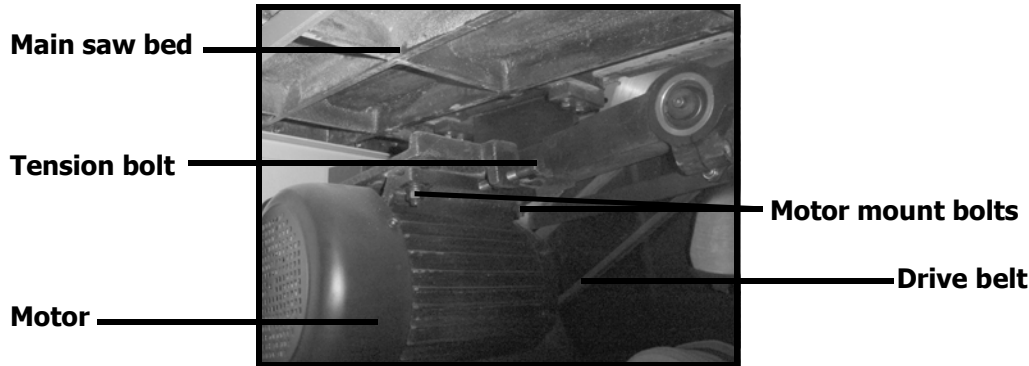
CARE AND MAINTENANCE....cont

Replacing / tensioning the drive belt:

The main drive belt is set at the factory to the correct tension, but time and use may mean that the belt needs to be re-tensioned.

To re-tension the drive belt:

- Open the main side door of the saw and make yourself familiar with the internal components (see picture below).



- Loosen the 4 x (2 on each side) motor mount bolts.
- Turn the tension bolt whilst checking the tension of the belt.
- Once the correct tension has been achieved (approximately 1"-1¹/₂"), re-tighten the motor mount bolts to secure.

To replace the drive belt:

- Release the tension from the belt by following the instructions above.
- Remove the blade (see instructions on page 24).
- The belt can now be removed and replaced.
- Follow all previous instructions in reverse to re-fit the blade, blade guard etc.



Caution: Check for alignment of moving parts, free running of moving parts, breakage of parts, and any other conditions that may affect its operation Before restarting the saw.

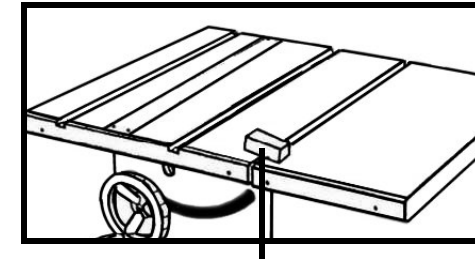
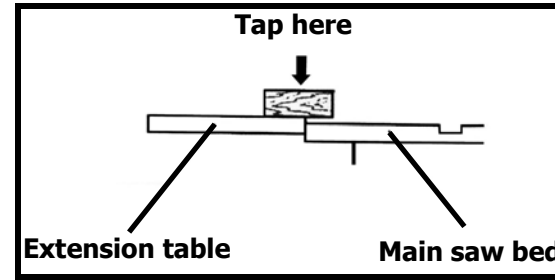
ASSEMBLY INSTRUCTIONS....cont

- Sit a straight edge across the extension table, or tables depending on how long your straight edge is, and across the main saw bed.



Tip: The rip fence (inverted) makes a good straight edge.

- Using the straight edge as a guide, tap the joints between the extension table / tables and the main saw bed with the mallet or scrap of wood until all tables are level.
- Tap at the front and the back of the tables to ensure that they are correctly set in all directions.



Scrap piece of wood (if a soft mallet is not available)

- Once you are happy that all the tables are correctly set and level proceed to tighten all the bolts to ensure that the tables stay in place.

Fitting the front fence rail:



Caution! The front and rear rails must be carefully aligned to reduce the risk of kickback, which can cause serious injury.

- To install the front rail will require the following hardware:

- ⇒ 5 x square head bolt.
- ⇒ 5 x 8 mm flat washer.
- ⇒ 5 x M8 hex nuts.
- ⇒ Right and left end cap for front rail.
- ⇒ 6 x self-tapping screw.

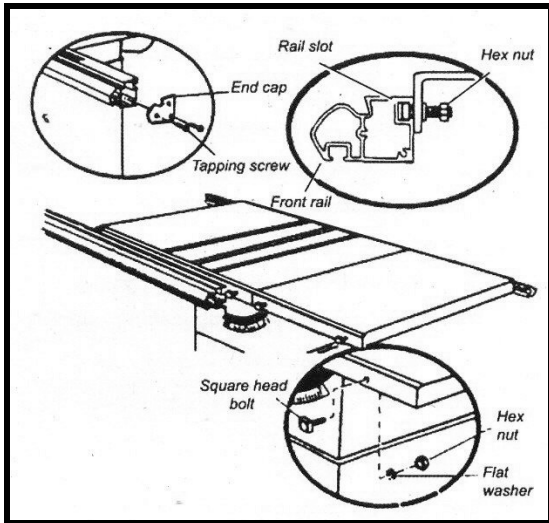
ASSEMBLY INSTRUCTIONS....cont

- Insert the 5 square head bolts into the holes on the front of the main table and extension tables, so the bolt heads extend out 6 mm.
- Loosely attach a flat washer and a hex nut to each bolt.
- Slide the slot on the front fence rail over bolts until the rail is in its correct position.
- Adjust each bolt to fit the rail closely to the table.
- Push the rear fence rail against table and hand tighten each hex nut.



Note: Ensure there are no gaps between the rail and the edge of the main table or extensions.

- Fit the end caps on the rail ends, secure them with the self-tapping screws and tighten with Phillips screwdriver.



Fitting the rear fence rail:



Caution! The front and rear rails must be carefully aligned to reduce the risk of kickback, which can cause serious injury.

- To install the rear rail will require the following hardware:
 - ⇒ 5 x square head bolt.
 - ⇒ 5 x 8 mm flat washer.
 - ⇒ 5 x M8 hex nuts.

CARE AND MAINTENANCE....cont

- Adjust the distance between the blade and the riving knife (b).



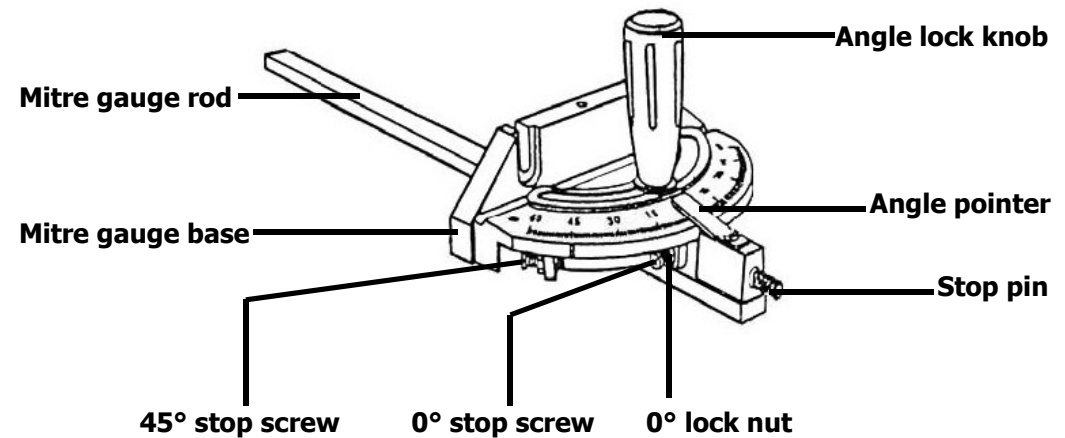
Note: The gap should be between 3 mm and 8 mm.

- Once the gap has been correctly set, re-tighten the nut (a).
- Re-install the table insert and blade guard.

Adjusting the mitre gauge angle:

The mitre gauge has quick set stops at 0° and +/- 45° with the mitre gauge stop pin and adjustable stop screws. The stop screws are factory set for accuracy but after time and use, the gauge may need to be re-set, this can be achieved by the following:-

- Loosen the angle lock knob and pull out the stop pin.
- rotate the mitre gauge until the stop pin rests against the 0° stop screw.
- Place a 90° square against the mitre gauge rod and the mitre gauge base.
- If the rod is not square, Loosen the lock nut of the 0° stop screw 8 mm wrench.
- Adjust the 0° stop screw until a true 90° angle is achieved.
- Tighten the lock nut to secure, and adjust the angle pointer to read 0°.
- Adjust the plus and minus 45° stop screws using a 45° triangle and the steps above.



Note: The mitre gauge provides close accuracy for angled cuts, for very close tolerances, test cuts are recommended.

CARE AND MAINTENANCE....cont



Note: The arbor nut has a left handed thread.

- Remove the outer blade flange and blade from the saw.
- Check that the clamping surfaces are smooth and flat, clean or replace as necessary.



Caution: Do not use cleaning agents (e.g. for removing resin residue) that could corrode the light metal components of the saw.

- Fit the new saw-blade ensuring that the direction of rotation is correct.



Caution: Do not use:-

- ⇒ Incorrectly sized blades, either inner or outer diameter.
- ⇒ Damaged blades, parts could be thrown from the blade by centrifugal force.

- Replace the outer flange.
- Fit and tighten the arbor nut.

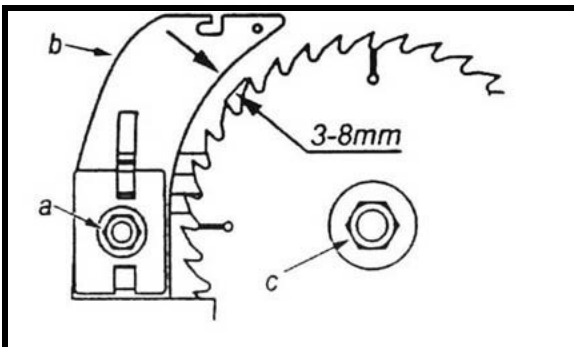


Caution: Do not over-tighten the arbor nut, but ensure it is tight enough.

- ⇒ Do not tighten the arbor nut by "tapping" it with a hammer or similar item.
- ⇒ Do not forget to remove the arbor wrench and lock bar once the nut has been tightened.

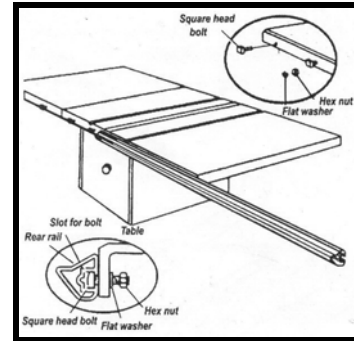
Setting the distance between the blade and the riving knife:

- Loosen nut (a) of the riving knife bracket.



ASSEMBLY INSTRUCTIONS....cont

- Insert the 5 square head bolts into the holes to the rear of the main table and extension tables so the bolt heads extend out approximately 6 mm.
- Loosely attach a flat washer and a hex nut to each bolt.
- Slide the slot on the rear fence rail over bolts until the rail is in its correct position.
- Adjust each bolt to ensure that the rail is as close as possible to the table.



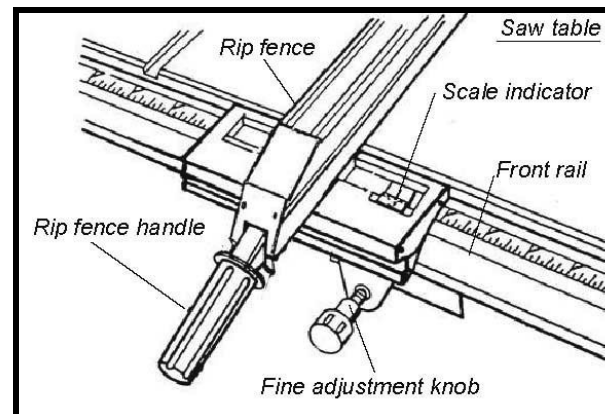
- Push the rear fence rail against table and hand tighten each nut.



Note: The rails have only been secured by hand tightening the nuts at this point because some adjustment may be required once the rip-fence is fitted.

Fitting the rip-fence:

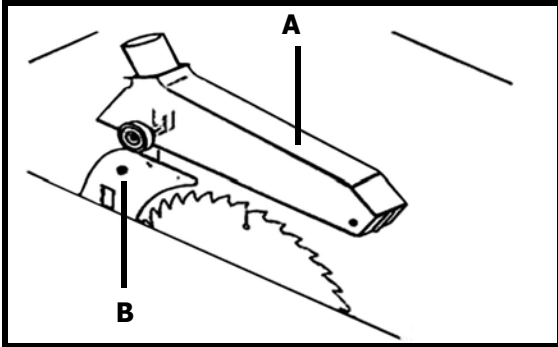
- Fit the rip fence assembly onto the scale mount.
- If needed, attach the "L" shape extension to the rip fence.
- Slide the rip fence onto the rear and front rails.
- Adjust the height of the rear and front rails to keep the rip fence approximately 1 mm above the table.



ASSEMBLY INSTRUCTIONS....cont

- Slide the rip fence against the saw blade, check that the red line of scale mount lens lines up with the "0" on the scale which is located on the front rail.
- If it does not, slide the front fence rail left / right until it does.
- Once you are happy that the rails are correctly set, proceed to tighten all of the bolts to ensure that the rails stay in their correct positions.
- Fit the micro adjust feature to the right hand side and below the scale housing.

Fitting the blade guard:



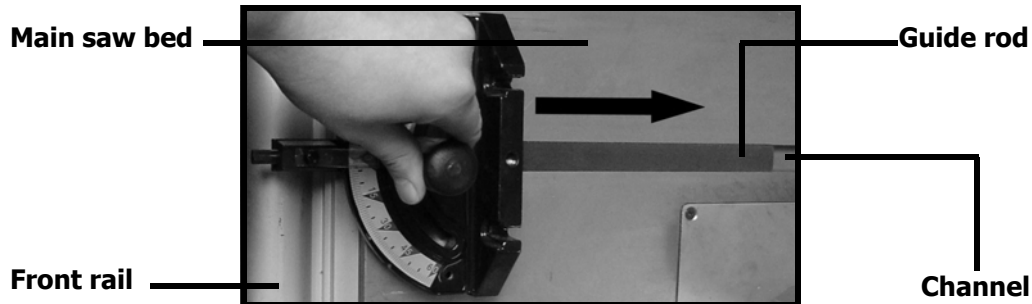
- Line up the 2 slots on the riving knife with the 2 screws on the rip fence and push down.
- Once the rip fence is positioned correctly the 2 screws should be tightened.



Note: do not over tighten the screws, the guard should move up easily and fall back over the blade with gravity.

Fitting the mitre gauge:

- To fit the mitre gauge, simply slide the mitre gauge guide rod into the channel on the main saw bed.



CARE AND MAINTENANCE



Caution!

Prior to all adjustments and maintenance:

- ⇒ Switch the machine OFF.
- ⇒ Unplug the mains lead.
- ⇒ Wait until the saw has come to a complete stop.

After all adjustments and maintenance:

- ⇒ Check that all safety devices are operational.
- ⇒ Check for abnormalities, which may have been caused during the maintenance procedure.



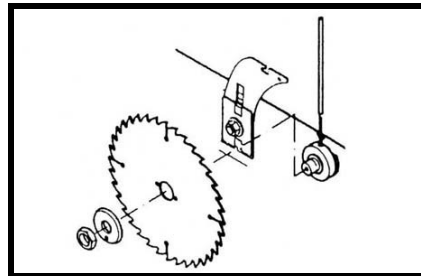
Note: Adjustments and maintenance procedures should only be carried out by suitably qualified persons.

Changing the saw-blade:



Caution: Risk of injury by the blade's teeth; Always wear the appropriate safety gloves when handling blades.

- Remove the blade guard.
- Undo the table insert screws and remove it.
- Raise the saw-blade fully.
- Lock the saw-blade by turning it until the hole on the inner flange lines up with the cut-out on the main saw bed.
- Insert the lock bar.



- Whilst using the lock-bar to hold the arbor shaft in-place, loosen and remove the arbor nut with the wrench supplied.

OPERATING INSTRUCTIONS....cont

Making cuts with the rip-fence:

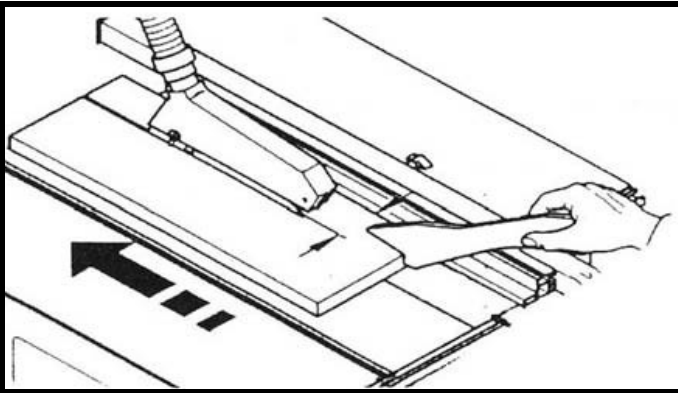


Use the push stick if distance between rip fence and saw blade is less than 120 mm.
The push stick should be used to avoid working with hands close to the saw-blade.
Push blocks should be used when cutting small work-piece and in circumstance where it is necessary to push the work-piece against the fence.
Push blocks should be between 300 mm and 400 mm long, 80 mm to 100 mm wide and 15 mm to 20 mm deep.

- Move the rip-fence to the desired position and lock in place with the rip-fence handle.

Reposition auxiliary fence extrusion if necessary:

- ⇒ Low edge (as shown) for cutting thin stock, and / or with a tilted saw-blade.
- ⇒ High edge is for cutting thick stock (max. 65 mm).



- Set the blade tilt angle to the desired angle and lock into position.
- Start the saw and allow it to reach its full speed.
- Cut work-piece in a single pass.
- Switch machine off immediately if no further cuts are required.

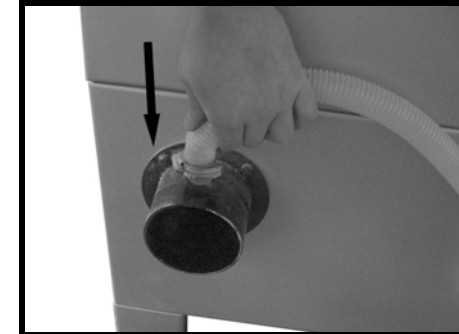
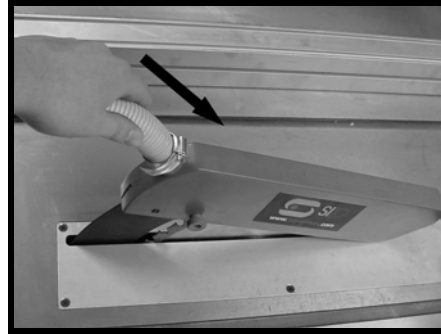


Note: There is a thermal overload inside the motor, this device is to protect the motor from being damaged in high temperature conditions. When the motor's temperature is too high the overload will shut off automatically, you should check the reasons that caused the high temperature at once. The thermal overload will return to normal automatically once the temperature reaches a safe operating temperature.

ASSEMBLY INSTRUCTIONS....cont

Fitting the outlet to blade guard extraction hose:

- Fit 1 small \emptyset hose clip over 1 end of the outlet to blade guard.
- Slide the hose over the extraction outlet of the blade guard.
- Fit a hose clip over the opposite end of the hose.
- Slide the hose over the small outlet on the extraction hose outlet adaptor.



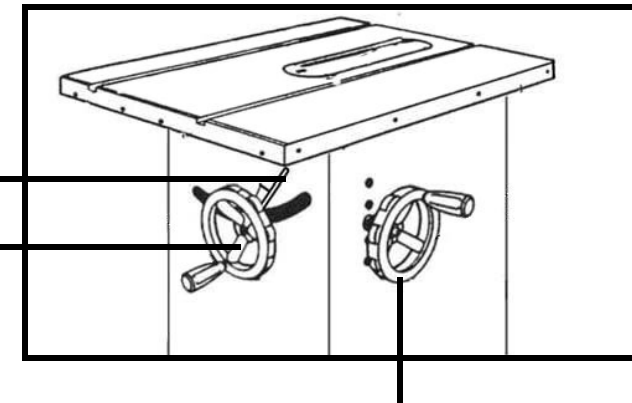
Caution: Dust of certain wood or wood by-products can be extremely harmful to health if inhaled. Use a suitable dust collector particularly when working in enclosed spaces or for extended periods.

Fitting the blade rise / fall and blade tilt hand-wheels:

- Slide the blade rise / fall and blade tilt hand-wheels over their respective shafts.
- Secure allen bolts and washers.

Blade height lock lever

blade rise / fall hand-wheel



blade tilt hand-wheel

OPERATING INSTRUCTIONS



Caution: This saw may only be operated by one person at a time. Other persons should stay a safe distance from the saw.

Before starting work, pay particular attention to ensure that the following are in correct working order and that you understand all of the safety instructions:

Power source range: 230v +/- 10%, 50hz +/- 2%.

Always check safe operation of and that there is no damage to:

- Mains lead and plug.
- ON/OFF (NVR) switch.
- Riving knife.
- Blade guard.
- Push stick.

Use personal protection gear:

- Dust respirator.
- Hearing protection.
- Safety goggles.

Assume the correct operating position:

- At the front of the saw.
- Not in-line with the blade.

Avoid typical operator mistakes:

- Do not attempt to stop the saw blade by pushing the work-piece against its side.

Risk of kickback:

- Always hold the work-piece down on the table and do not jam it.
- Never cut several work-pieces at the same time - and also no bundles containing several individual pieces, there is a risk of personal injury if individual pieces are caught by the saw blade.



Drawing-in/trapping hazard!

- Never cut stock to which ropes, cords, strings, cables or wires are attached or that contain such material.

OPERATING INSTRUCTIONS....cont

Making straight cuts:



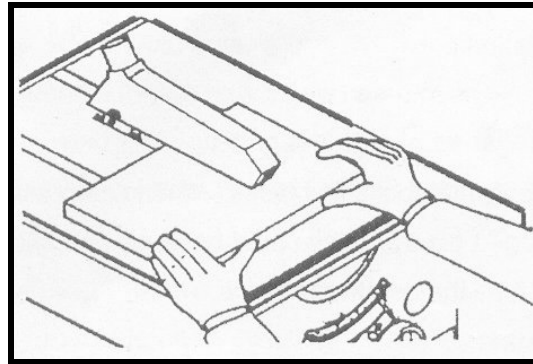
Caution: For safe operation, do not force the work-piece into the blade, feed it slowly and evenly and let the saw do the work.

- Set the correct depth of cut and lock the height by means of the height locking lever.



Note: The blade height should be set so that it is just slightly higher than the work-piece.

- Set blade tilt angle as required and lock securely into position.
- Mount the rip fence, if required.
- Set the work-piece onto the main table of the saw so that the blade guard rests with its front edge on the work-piece.
- Start the saw and allow it to reach its full speed.
- Cut work-piece in a single pass.
- Switch machine off immediately if no further cuts are required.



Making mitre cuts:

- Slide the mitre gauge into the table slot (see page 19).
- Loosen the lock knob of the mitre gauge and set it to desired angle with the indicator and re-tighten the lock knob to secure.
- Set the work-piece firmly against the mitre gauge.
- Cut work-piece by pushing the mitre gauge forwards.