



DIAMONDBACK

DiamondBackCovers.com / 800 935 4002

HINGES

REPLACEMENT GUIDE

MISC-8

60 minutes
Normal install time

Keep an eye out for these icons:

! IMPORTANT!
Important installation information

★ Helpful Hints
Tips to assist installation

PARTS INCLUDED:

	Slip Joint Hinges	Drop-On Hinges	1.5" Gasket Tape	5/16" x 1" Flanged Black Button Head Bolts	5/16" Lock Nuts	5/16" Washers
BHK-2833A01-4	2	2	18"	16	16	16
BHK-2833A01-6	3	3	24"	24	24	24

TOOLS REQUIRED:



Utility Knife



Drill



5/16" Bit



Ratchet Wrench



1/2" Socket



3/16" Hex Key

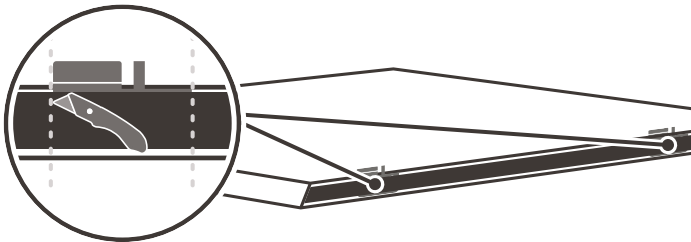
PRE-INSTALLATION NOTE:

It's possible for one person to upgrade the hinges solo, but it's much easier if you have two people.

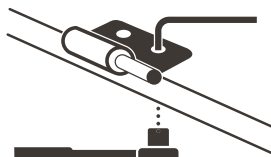
INSTRUCTIONS

1 Remove the tail panel by detaching its gas springs, tilting it past 90° and sliding it off its hinges. Set it on a table or other flat surface so that you have easy access to the hinge face.

2 Cut and remove the segments of gasket tape that cover the tail-panel hinge leaves.

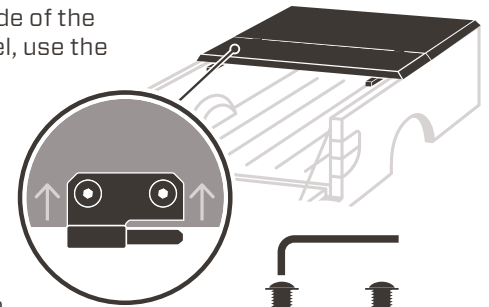


3 Use a 3/16" hex key and a ratchet wrench with a 1/2" socket to remove the tail-panel hinge leaves.

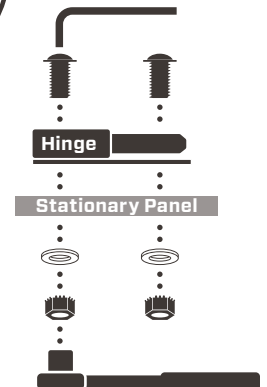


4 Remove the corresponding stationary-panel hinge leaves.

5 On the driver side of the stationary panel, use the existing bolt holes, two flanged bolts, two washers, two lock nuts, the hex key, and the 1/2" socket to attach the male leaf of a new, **slip joint hinge** parallel to the edge of the panel. Fully tighten.

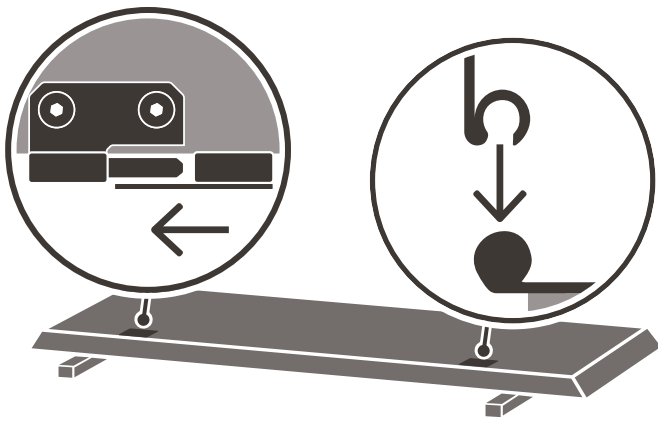


! The existing holes are overlarge. Bolt the male leaves as far removed from the edge of the panel as the holes allow.



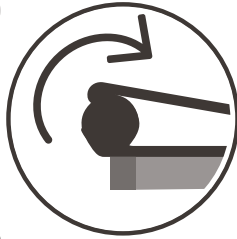
6 Repeat step 5 on the passenger side of the center panel using the male half of a **drop-on hinge**.



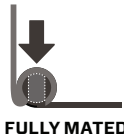


7 Join the loose, female half of the slip joint hinge to the bolted, male half. Lay the female leaf back onto the male leaf.

8 Repeat step 7 for the drop-on hinge by angling its loose, female half 90° from the male leaf and dropping the C-shaped knuckle onto the pin.

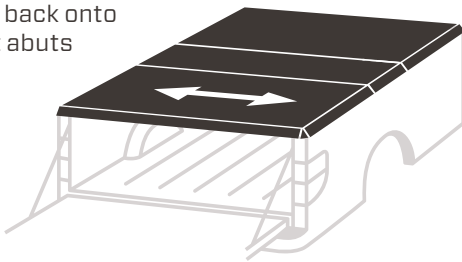


! It's crucial that both hinges be fully mated.



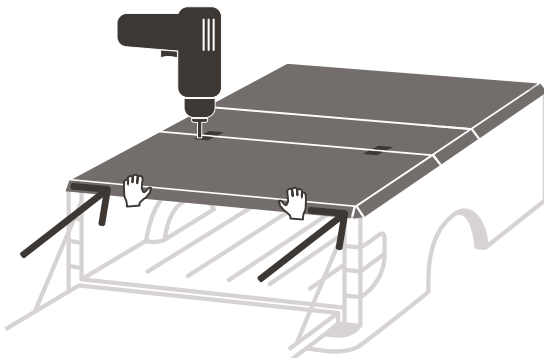
9 On the tail panel, fill the gap created by the removal of the hinge leaves by splicing in replacement **gasket tape**.

10 Set the tail panel back onto the bed rails so it abuts the stationary panel and the weatherstrip between them is firmly compressed. Align the panels' sides.



11 Flip the female leaves over onto the tail panel.

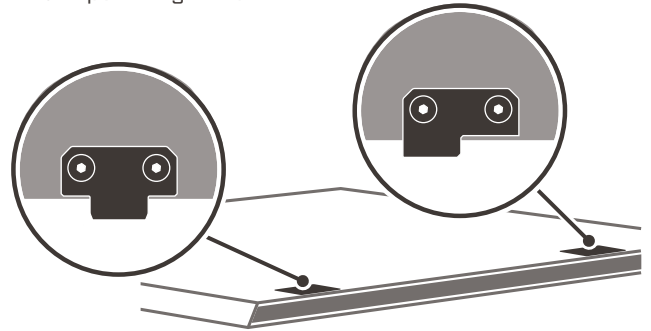
12 Have a second person push the tail panel to maintain pressure against the stationary panel while you use the holes in the female leaves as templates to drill bolt holes in the tail panel with a 5/16" bit.



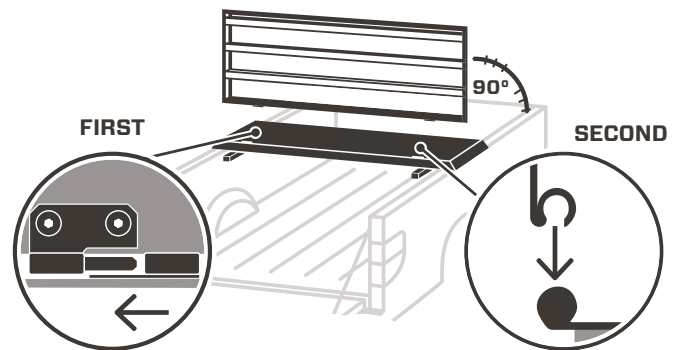
13 Remove the tail panel from the truck again and put it back onto a table or other flat surface.

14 Bolt the female hinge leaves to the tail panel, parallel to the panel edge. Tighten, but not so firmly that the gasket on the leaf underside is compressed.

! Remember that for the tail panel, the slip joint hinge leaf goes on the driver side, and the drop-on hinge leaf on the passenger side.



15 Attach the tail panel to the stationary panel by angling it 90° from the bed rails, sliding its driver-side, slip joint hinge together, then dropping its passenger-side, drop-on hinge together.



16 Lower the tail panel into the closed position. Confirm that the hinges operate smoothly and the hinge-seam weatherstrip gets fully compressed.

17 If the hinges catch or the hinge-seam weatherstrip doesn't get fully compressed, adjust the position of the tail-panel hinge leaves to compensate.

★ You may need to ream the tail-panel bolt holes.

18 If hinge operation is smooth and the weatherstrip is fully compressed upon panel closure, then fully tighten the tail-panel hinge-leaf bolts.

19 Repeat steps 1-18 for cab panel(s), making the slip joint hinge(s) the left hand hinge(s) when facing the stationary panel.

★ This'll mean the slip joint hinge is the passenger-side hinge on a DiamondBack SE, the forward hinge on the driver side of a DiamondBack 270 or 180, and the aft hinge on the passenger side of a 270 or 180.

★ If you have a DiamondBack 270 or DiamondBack 180, you may need to remove the whole cover from the truck in order to have enough clearance remove the panels.