



TAILGATE SEAL

Seals tailgate sides & bottom with **Taper Seal®**

Made of Long-Lasting Automotive Grade EPDM Rubber



+ Easy Install: No Drilling

Just Cut, Peel & Stick

+ Keeps Out Dust & Water



Scan for Installation

Detailed Photo Instructions

+ Universal Truck Size

Fits almost all makes & models

Trucks Excluded:

- Chevrolet Silverado w/Multi-Flex Tailgate
- 2020 & Newer Silverado 2500/3500
- GMC Sierra w/MultiPro Tailgate
- 2020 & Newer Sierra 2500/3500
- Nissan Titan
- Ram w/RamBox
- Ford Maverick



Taper Seal® is a registered trademark of Extruded Solutions, Inc. Patent No.: US 10,099,544



DB-TGSL-10DB-30K

TAILGATE SEAL INSTALLATION



Scan For Detailed
Instructions & Images



ITEMS REQUIRED: Scissors, clean rag and soap solution.

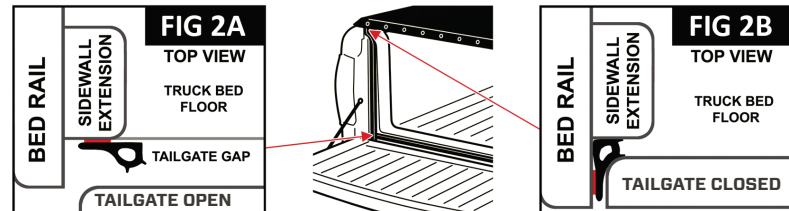
Extreme temperatures will result in poor adhesive performance. Apply only if air and surface temperature is between 55° - 105°F (13° - 40°C). Avoid touching adhesive after peeling red liner. Repositioning of seal should not be done more than 3 times and only 1 time if the temperature is above 80°F (13°C).

STEP 1

Clean area thoroughly with soap and water solution and wipe completely dry. Use alcohol pad to prep the tape application area and let dry. Wait until after STEP 4 to apply very firm pressure (25 lbs.) to secure adhesive bond. If necessary, seal can be removed and repositioned prior to STEP 5.

STEP 2: ATTACHING TO THE SIDEWALLS

Start 1" (2.5cm) below truck bed floor and attach seal to the rear corner edge of the left sidewall extension (FIG 2A). When nearing top of sidewall, gradually rotate seal 90° counter clockwise so that bulb is facing in-ward and the taped side of seal is flush with the sidewall at the top (FIG 2B). For trucks with a rubber stop, flush seal to bottom of rubber and cut to fit. Continue from the top of rubber stop to the top of sidewall and attach so that bulb is facing inward and the taped side of seal is flush with the sidewall at the top (FIG 2B). Cut to fit. Apply light pressure to adhesive. Duplicate for right sidewall.



STEP 2 FOR THE FOLLOWING TRUCKS: Go to TailgateSeal.com for Step 2 instructions.

- 2019 Ram (new body, not classic)
- Ram classic 1500, 2500, 3500
- Ram with MultiFunction tailgate
- Ford F150, 250, 350, 450
- Honda Ridgeline w/dual action tailgate
- Jeep Gladiator
- Nissan Frontier

STEP 3

Close tailgate. If you see light through the sidewalls, make adjustments by removing the seal and repositioning. If there is still light then cut pieces of seal as needed and attach to sidewalls and/or tailgate (view positioning of smaller Standard and Large Tailgate Seal cut pieces at TailgateSeal.com). Do not attach adhesive to seal. Open tailgate. Apply very firm pressure (25 lbs.) to secure adhesive bond.

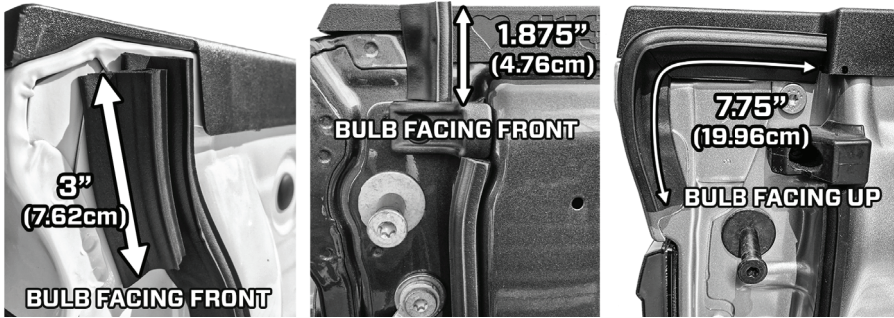
STEP 4: ATTACHING TO THE TAILGATE GAP - One minute help video available at TailgateSeal.com (See QR code above.)

To evaluate the best positioning for the tailgate gap, cut a 1" (2.5cm) test piece and align the top of bulb with the truck bed floor. Stand to the side of truck and raise tailgate until the bulb makes contact with tailgate. If the bulb rolls downwards just before closing the tailgate, so that you can see the tape, then seal has rolled and compressed too much. This can cause added stress to the adhesive and possible separation. If compressing too much, then invert 1" piece so that bulb side is down. Raise tailgate again and make sure no light is visible through the 1" piece. Adjust 1" piece higher or lower in the gap, as needed, to block the light. After determining if bulb should be up or down and how high or low, remove 1" piece and pick up one end of the continuous seal. Start at either end, peel back liner and flush to tailgate seal on the sidewall. Attach in sections, apply light pressure to adhesive should you need to reposition. Flush to seal on other sidewall and cut to fit. Apply very firm pressure (25 lbs.) to secure adhesive bond.

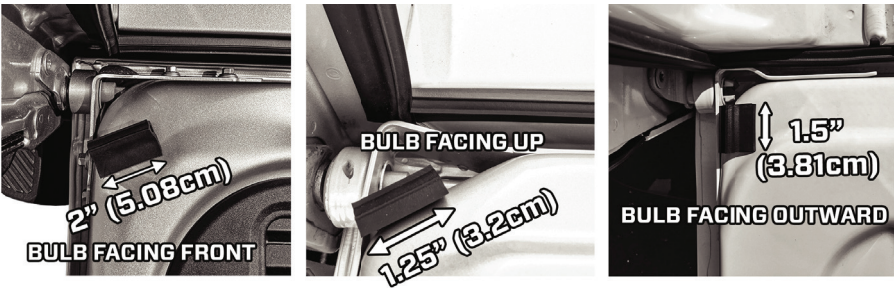
STEP 5

After seal is in place, apply very firm pressure (25 lbs.) to secure the entire adhesive bond. Leave tailgate open for 30 minutes. If air temperature will fall below 50°F (10°C) within the next 24 hours or, if applying to a surface other than paint, such as plastic or spray-on bed liners, then leave tailgate open for 24 hours.

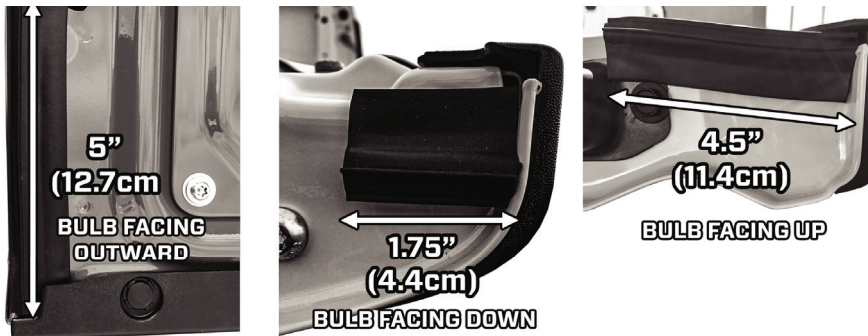
3 MOST COMMON POSITIONS FOR **TOP OF SIDEWALLS**



3 MOST COMMON POSITIONS FOR **INSIDE OF TAILGATE**



3 MOST COMMON POSITIONS FOR **TOP OF TAILGATE**



Taper Seal® is a registered trademark of Extruded Solutions, Inc.
Patent No.: US 10,099,544