



DIAMONDBACK

DiamondBackCovers.com / 800 935 4002

CROSS BIN

WITH DIAMONDBACK HD & SE

INSTALLATION GUIDE

AX-4

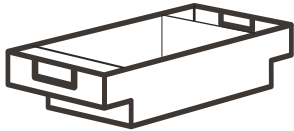
10 minutes
Normal install time

Keep an eye out for these icons:

! IMPORTANT!
Important installation information

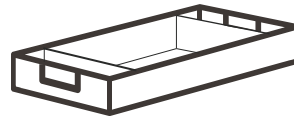
★ Helpful Hints
Tips to assist installation

PARTS INCLUDED:



13" Cross Bin

or



8" Cross Bin

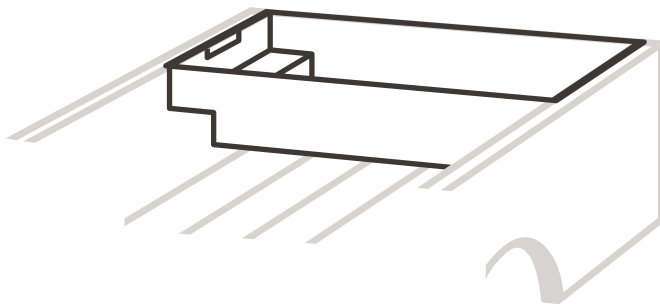
PRE-INSTALLATION NOTE:

Install your DiamondBack cover before installing the Cross Bin.

INSTRUCTIONS

1 Open the cab panel of the cover. Detach the bottom ends of its gas springs from their ball studs. Fold the panel completely back until it rests on the closed portion of the cover.

2 Place the **bin** into the cargo bed so that its support flanges rest on the bed rails.

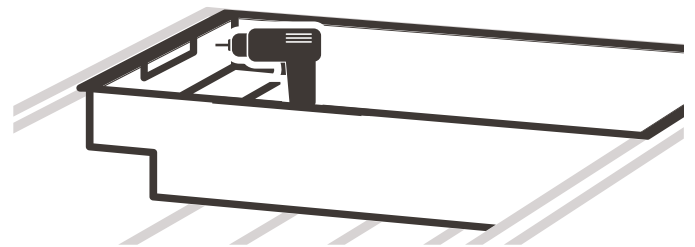


★ Many pickup truck cargo beds are tapered, which means that many Cross Bins have a front and back. If your bin appears to not fit, rotate it 180° and try again.

3 Move the bin as far forward as possible.

4 Optional: For bumpy driving conditions, fasten the bin to the bed rail lips using self-drilling sheet metal screws.

! To fasten the bin to a current-generation F-Series pickup, use rivet nuts and bolts.



5 If you just installed the bin under a DiamondBack cover you've had for a while, you may find that your cab-panel lock rods are now more difficult to operate. If so, use the rod guide brackets and a 7/16" socket to lower the rods slightly.



DIAMONDBACK

DiamondBackCovers.com / 800 935 4002

CROSS BIN
WITH DIAMONDBACK 270 & 180

INSTALLATION GUIDE

AX-4

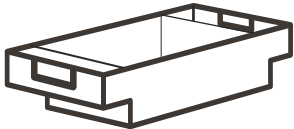
20 minutes
Normal install time

Keep an eye out for these icons:

IMPORTANT!
Important installation information

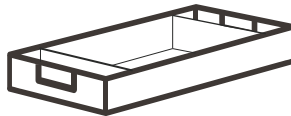
Helpful Hints
Tips to assist installation

PARTS INCLUDED:



13" Cross Bin

or



8" Cross Bin

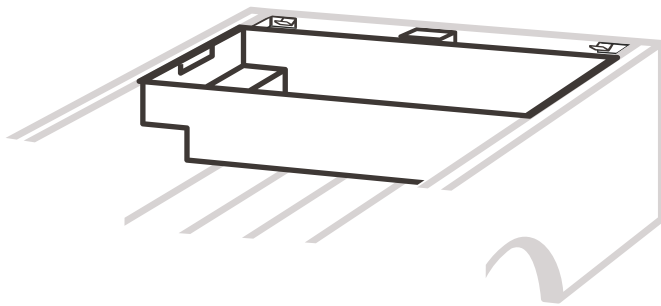
PRE-INSTALLATION NOTES:

If your DiamondBack cover is already installed, you must detach and slide the cover back about two feet to allow room for you to install the Cross Bin.

If you haven't yet installed your DiamondBack cover and it came with lock rod striker brackets, a clamp bracket, or a bulkhead angle, you should install those prior to installing the Cross Bin.

INSTRUCTIONS

- 1** Place the **bin** into the cargo bed so that its support flanges rest of the bed rails.



Many pickup truck cargo beds are tapered, which means that many Cross Bins have a front and back. If your bin appears to not fit, rotate it 180° and try again.

- 2** Finish installing or re-installing the DiamondBack cover.

With the bin in place, you won't be able to attach the front clamps or adjust the cab-panel lock rods of your cover from inside the truck as instructed. You'll need to do this from the side of the truck, which will take additional time.

- 3** Move the bin as far forward as possible.

- 4** Optional: For bumpy driving conditions, fasten the bin to the bed rail lips using self-drilling sheet metal screws.

To fasten the bin to a current-generation F-Series pickup, use rivet nuts and bolts.

