



DIAMONDBACK

DiamondBackCovers.com / 800 935 4002



INSTALLATION GUIDE

CVR-1

45 minutes
Normal install time

Keep an eye out for these icons:

IMPORTANT!
Important installation information

Helpful Hints
Tips to assist installation

PARTS INCLUDED:



Cab Panel



Center Panel



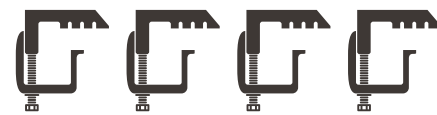
Tail Panel



Bed-Rail Edge Trim (4)



1/8" Hex Key



Cap Clamps (4)



Gas Springs (4)

TOOLS REQUIRED:



Ratchet Wrench



9/16" Socket



Utility Knife



7/16" Socket

PRE-INSTALLATION NOTES:

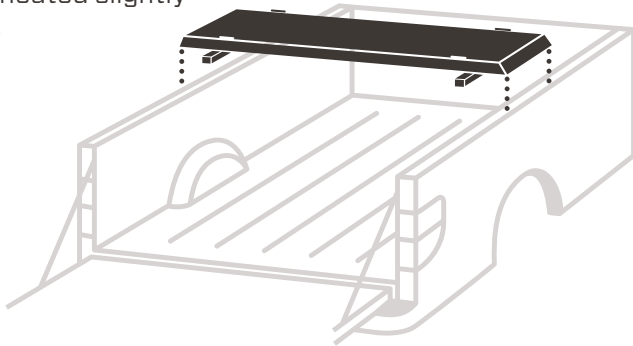
If you are installing a **cab guard** or **headache rack**, you should mount it prior to mounting your DiamondBack cover. Refer to its installation guide for details.

It's possible for one person to install a DiamondBack solo, but the whole process, especially positioning the panels, adjusting the lock rods, and connecting the cab-panel tethers, is easier with two people.

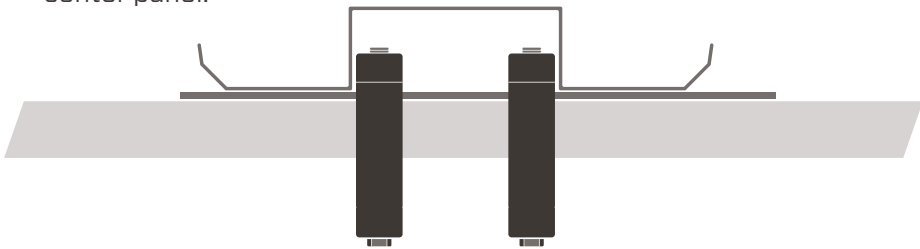
MOUNT THE PANELS

1 Place the **center panel** across the center of the bed, cheated slightly toward the tailgate.

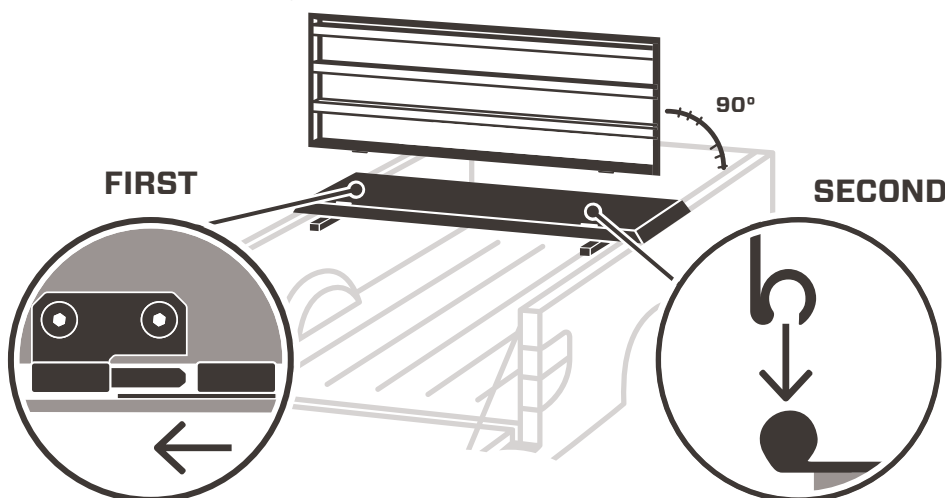
! Since the cover is slightly tapered, make sure the arrow sticker on the underside of the center panel is pointing toward the tailgate.



2 Loosely affix the center panel to the truck by finger-tightening a **cap clamp** at each of the four interior corners of the underside of the center panel.

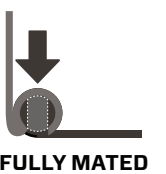


3 Attach the **tail panel** by angling it 90° from the bed rails, sliding its driver-side, loop-shaped hinge knuckle fully onto the corresponding center-panel hinge pin, then dropping its passenger-side, C-shaped hinge knuckle fully onto its corresponding pin.

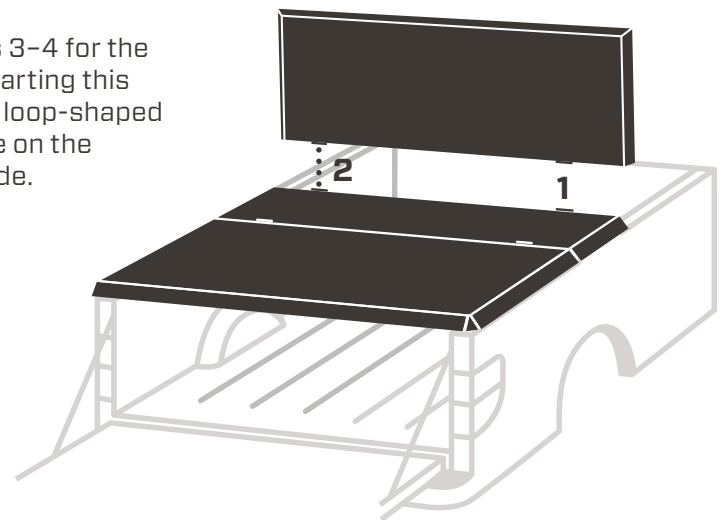


4 Lower the tail panel into the closed position.

! To avoid hinge damage, make sure the drop-on hinge is fully mated before beginning to close the panel.

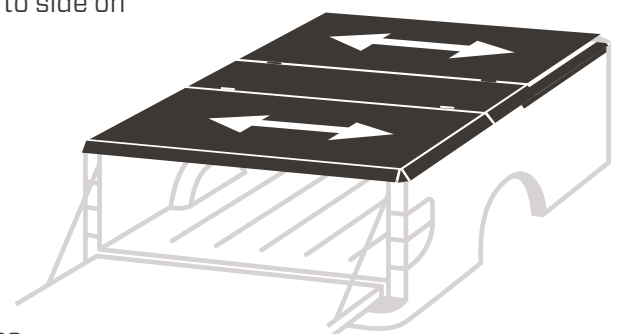


5 Repeat steps 3-4 for the **cab panel**, starting this time with the loop-shaped hinge knuckle on the passenger side.



6 Position the cover front to back so that the leading edge of the closed cab panel lines up with the outside edge of the center of the bulkhead.

7 Center the cover side to side on the truck.



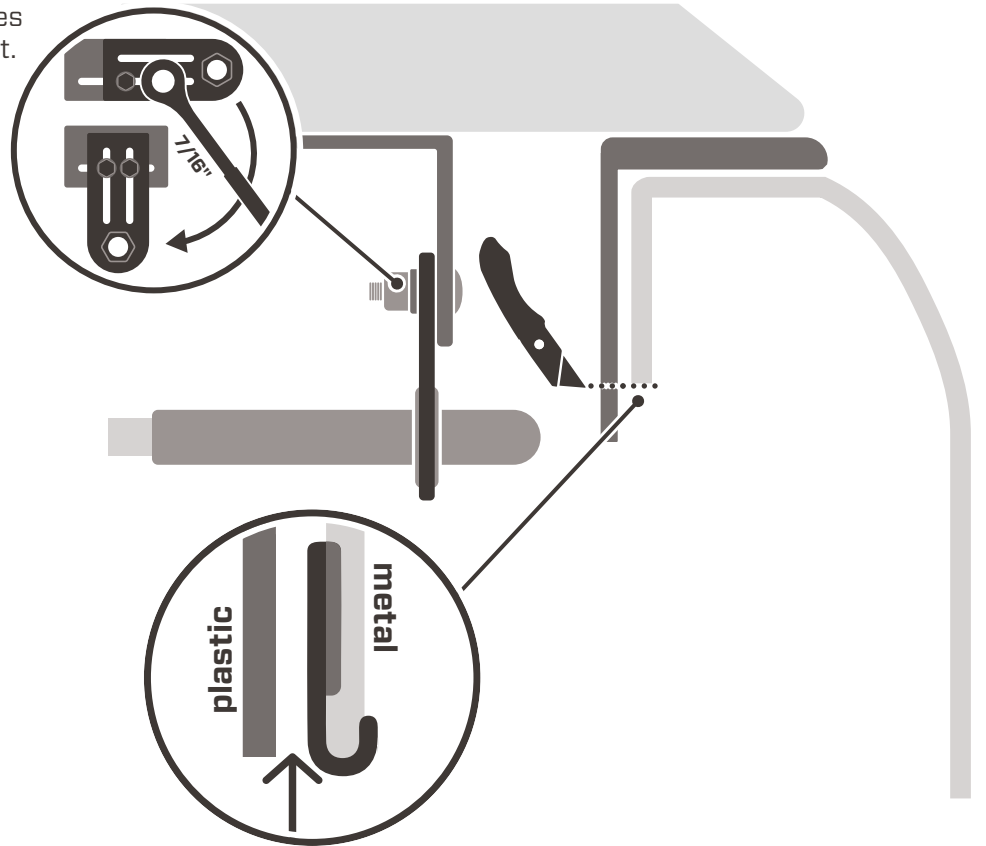
8 Tighten the cap clamps with a 9/16" socket.

! Road vibration can loosen your clamps. Retighten them after 100 miles. Check them every time you haul on top.

CONTINUED ON REVERSE >

PREP FOR THE LOCK RODS

- 9** If a DiamondBack HD, unpin each of the four lock-rod guide-bracket slide plates by using a 7/16" socket to move one of its bolts to the second, unoccupied slot.
- 10** If plastic extends beyond the bottom of the vertical face of the metal bed rails, trim a two-inch length of it flush with the bed rail's bottom edge at each of the four points where a lock rod will pass under the rails.
- 11** Peel the red adhesive backing from the edge trim pieces. Affix them to the metal bed rail at the four points where a rod will pass underneath, the bottom curl of their 'j's touching the bottom edge of the rail.
- ★ Step 11 is unnecessary on '07-13 Silverados and Sierras.
 - ! Affix the edge trim to the painted metal only, *behind* the plastic bed liner or bed rail cap, if present.
 - ★ You may need to pull the plastic bed rail cap away from the metal bed rail to provide enough clearance to get the edge trim on.
 - ★ Using a tool to widen the curl of the 'j' can make this step easier.



ADJUST THE LOCK RODS

- 12** Loosen the set screws on the tailgate-panel lock-rod linkages.
-
- 13** Adjust the lock rods and retighten their set screws so that
- with the lock handle in the open position, the rod tips clear the bed rails,
 - with the handle in the closed position, the rod tips do not strike the bed walls, and
 - the first bend in the rods points downward.
-

- 14** Position the lock rods tight against the underside of the bed rails so that they'll draw the panels down and compress the weatherstrip. Tighten the rod guide brackets with a 7/16" socket.
-
- ! For best weather protection, have a second person press down on the cover while you adjust the lock rods.
 - ★ Using the access panels is easiest when you press down as you open or close them.
- 15** Repeat steps 12 through 14 for the cab panel.
- ★ Your panels should be hard to operate at first. After finishing install below, leave the panels closed as much as possible for 3-4 days to break in the weatherstrip. After that period, you should find that the panels open and close without difficulty.
 - ★ If you are also installing a **Cross Bin**, do so now. Refer to the **Cross Bin Installation Guide** for details.

ATTACH THE SAFETY CATCH & GAS SPRINGS

- 16** Open the cab panel. Have a second person support it in the open position.
- 17** Slip the looped ends of the cable tethers that are attached to the underside of the cab panel around the center-panel ball stud arms, well past the ball studs.
-
- 18** Fit the safety catch, which is hanging from the driver side of the cab panel, around the bottom ball stud.
-

- 19** Attach a **gas spring** to the ball studs alongside the safety catch.
- ★ If some of your gas springs have heavier poundage printed on their sides than others, use the stronger ones on the cab panel.
 - ! To avoid premature failure of your gas springs, attach them barrel up, shaft down.
-
- 20** Attach the three remaining gas springs (barrel up, shaft down).
- 21** If your truck has bed rail caps, affix the included **bulkhead weatherstrip**. Refer to the **Bulkhead Prep Kit Installation Guide** for details.
- 22** Leave the cover closed and locked for 24 hours to allow the weatherstrip adhesive, which is pressure-sensitive, to fully cure.
- 24 hours**
Adhesive cure time