



DIAMONDBACK

DiamondBackCovers.com / 800 935 4002

'07-up Tundra, '05-up Tacoma w/73" bed,
'04-up Titan & '05-up Frontier
w/Deck Rail System or Utili-track



INSTALLATION GUIDE

CVR-2

45 minutes
Normal install time

Keep an eye out for these icons:

IMPORTANT!
Important installation information

Helpful Hints
Tips to assist installation

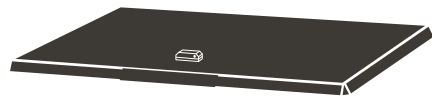
PARTS INCLUDED:



Cab Panel



Center Panel



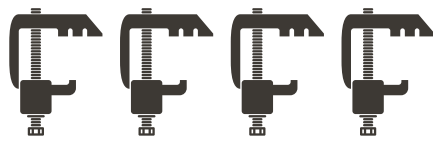
Tailgate Panel



1/8" Hex Key



Bed-Rail Edge
Trim (4)
(Frontiers only)



Cap Clamps (4)



Gas
Springs (4)

TOOLS REQUIRED:



Ratchet Wrench



9/16" Socket



Utility Knife



7/16" Socket

PRE-INSTALLATION NOTES:

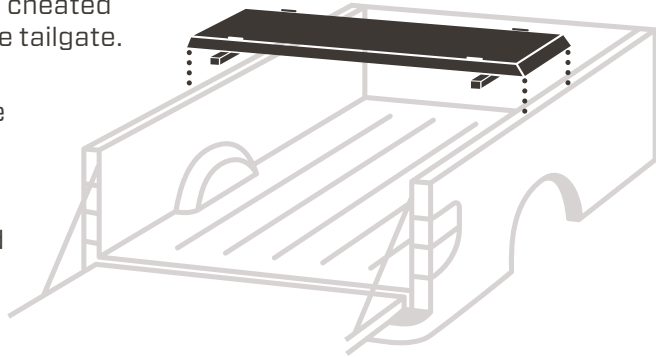
If you are installing a **cab guard** or **headache rack**, you should mount it prior to mounting your DiamondBack cover. Refer to its installation guide for details.

It's possible for one person to install a DiamondBack solo, but the whole process, especially positioning the panels and adjusting the lock rods, is much easier with two people.

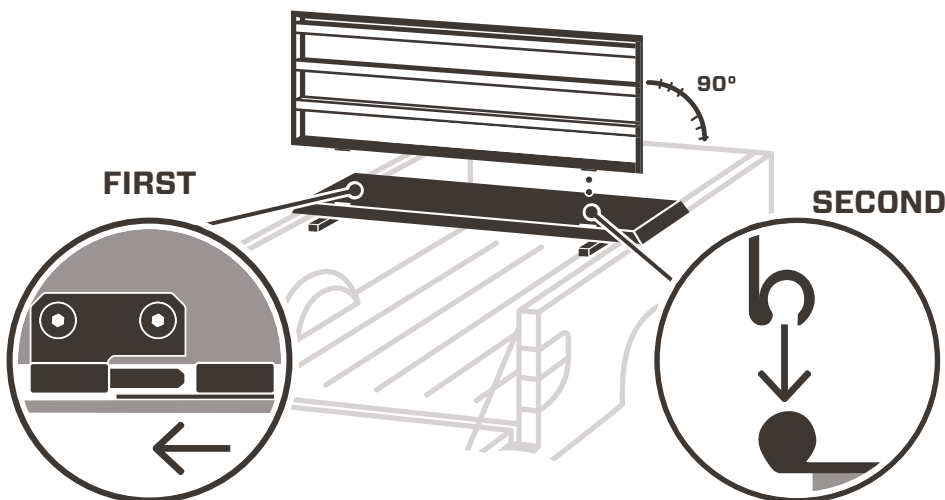
MOUNT THE PANELS

1 Place the **center panel** across the center of bed, cheated slightly toward the tailgate.

! Make the sure the arrow sticker on the underside of the center panel is pointing toward the tailgate.

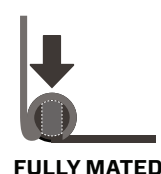


2 Attach the **tail panel** by angling it 90° from the bed rails, sliding its driver-side, loop-shaped hinge knuckle fully onto the corresponding center-panel hinge pin, then dropping its passenger-side, C-shaped hinge knuckle fully onto its corresponding pin.



! To avoid hinge damage, make sure the C-shaped hinge knuckle is fully engaged with its pin before tilting the panel.

3 Lower the tail panel into the closed position.

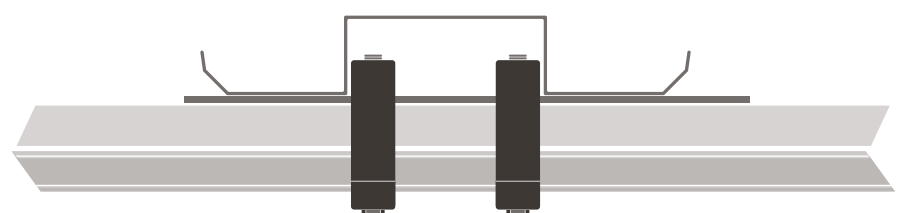


4 Repeat steps 2-3 for the **cab panel**, starting this time with the loop-shaped hinge knuckle on the passenger side.

5 Position the cover front to back so that the leading edge of the closed cab panel lines up with the outside edge of the center of the bulkhead.

6 Center the cover side to side on the truck.

7 Affix the center panel to the truck by placing a **cap clamp** at each of the four interior corners of the underside of the center panel and tightening them with a 9/16" socket.



! The bottom halves of the cap clamps should be in the Utili-track or deck rail system.

! On Toyotas, don't tighten the clamps so much that they deform the plastic bed rail caps.

! Road vibration can loosen your clamps. Retighten them after 100 miles. Check them every time you haul on top.

CONTINUED ON REVERSE >

ADJUST THE LOCK RODS

8 If a DiamondBack HD, unpin each of the four lock-rod guide-bracket slide plates by using a 7/16" socket to move one of its bolts to the second, unoccupied slot.

9 If a Tundra, Tacoma, or Titan, skip to step 11. If a Frontier, then if plastic extends beyond the bottom of the vertical face of the metal bed rails, trim a two-inch length of it flush with the bed rail's bottom edge at each of the four points where a lock rod will pass under the rails.

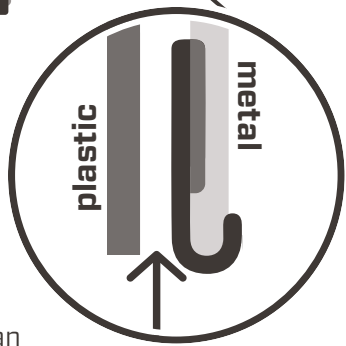
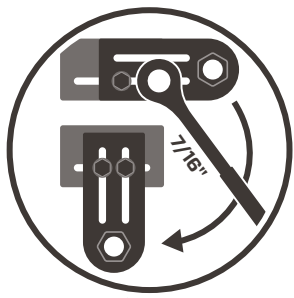
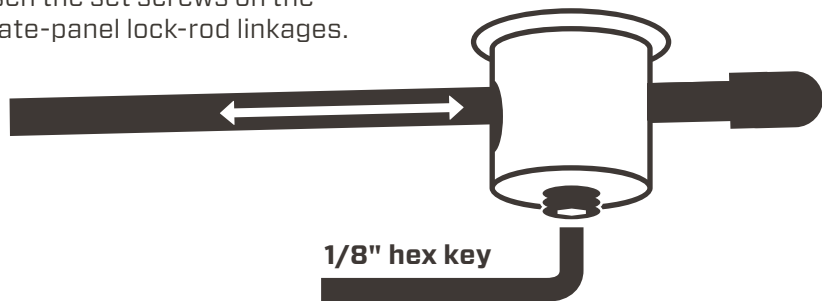
10 Peel the red adhesive backing from the **edge trim pieces**. Affix them to the metal bed rail at the four points where a rod will pass underneath, the bottom curl of their 'j's touching the bottom edge of the rail.

! Affix the edge trim to the painted metal only, *behind* the plastic bed liner or bed rail cap.

★ You may need to pull the plastic bed rail cap away from the metal bed rail to provide enough clearance to get the edge trim on.

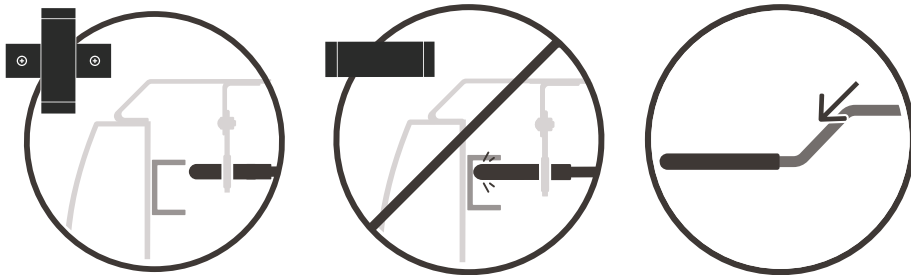
★ Using a tool to widen the curl of the 'j' can make this step easier.

11 Loosen the set screws on the tailgate-panel lock-rod linkages.



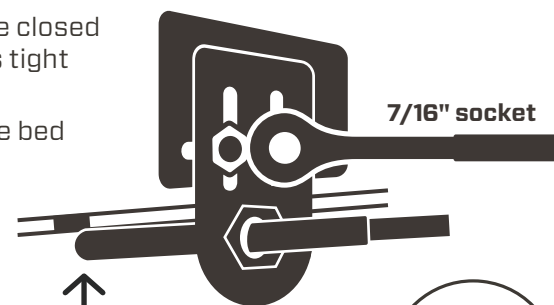
12 Adjust the lock rods and retighten their set screws so that

- with the lock handle in the open position, the rod tips stop about 1/4" short of the bed rail (Frontier), Utili-track (Titan), or deck rail system (Tundra & Tacoma),
- with the handle in the closed position, the rod tips do not strike the bed walls, and
- the first bend in the rods points downward.



13 With the lock handle in the closed position, set the lock rods tight against:

- the underside of the bed rails on Frontiers and
- the inside of the deck rail or Utili-track on other trucks.



Tighten the rod guide brackets with a 7/16" socket.

! For best weather protection, have a second person press down on the cover while you adjust the lock rods.

★ Using the access panels is easiest when you press down as you open or close them.



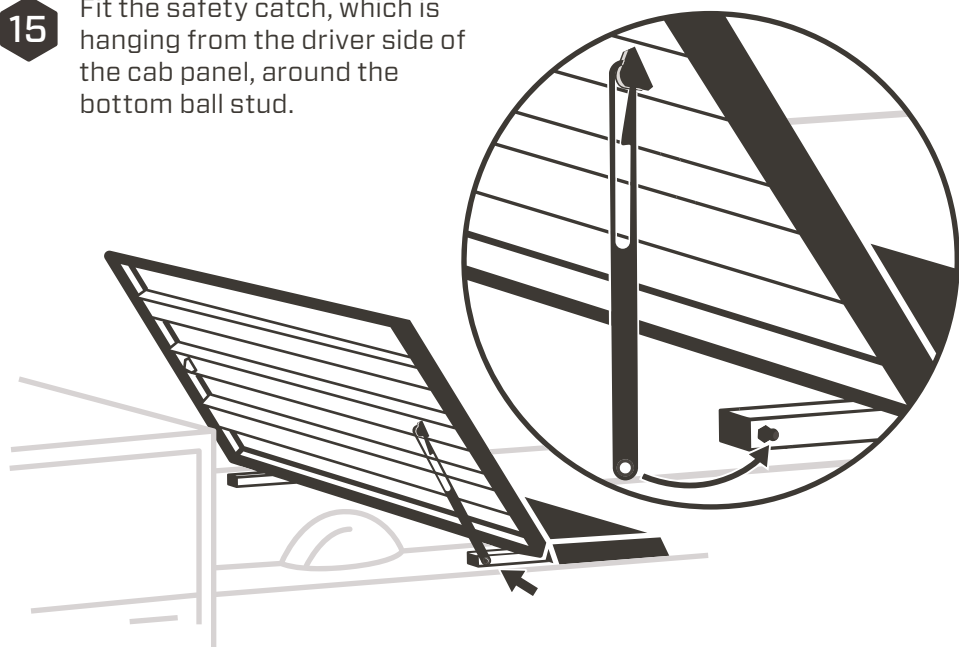
14 Repeat steps 11 through 13 for the cab panel.

★ Your panels should be hard to operate at first. After finishing install below, leave the panels closed as much as possible for 3-4 days to break in the weatherstrip. After that period, you should find that the panels open and close without difficulty.

★ If you are also installing a **Cross Bin**, do so now. Refer to the **Cross Bin Installation Guide** for details.

ATTACH THE SAFETY CATCH & GAS SPRINGS

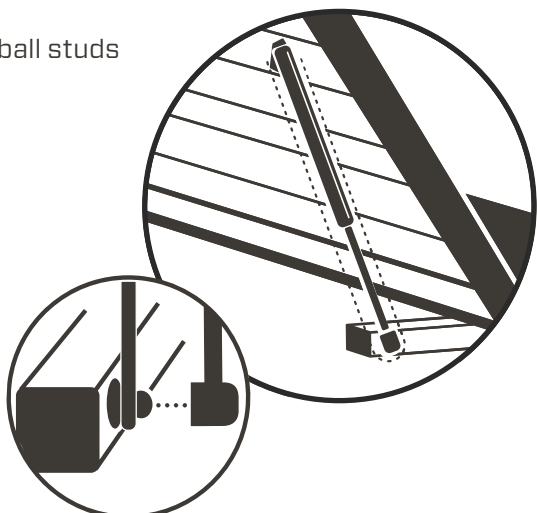
15 Fit the safety catch, which is hanging from the driver side of the cab panel, around the bottom ball stud.



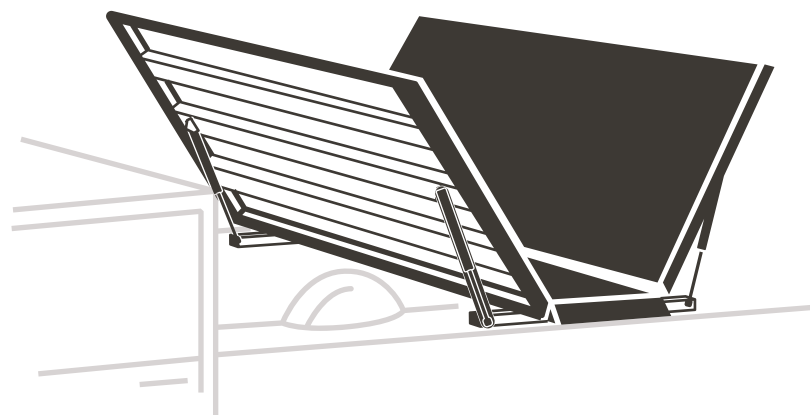
16 Attach a **gas spring** to the ball studs alongside the safety catch.

★ If some of your gas springs have heavier poundage printed on their sides than others, use the stronger ones on the cab panel.

! To avoid premature failure of your gas springs, attach them barrel up, shaft down.



17 Attach the three remaining gas springs (barrel up, shaft down).



18 If your truck has bed rail caps, affix the included **bulkhead weatherstrip**. Refer to the **Bulkhead Prep Kit Installation Guide** for details.

19 Leave the cover closed and locked for 24 hours to allow the weatherstrip adhesive, which is pressure-sensitive, to fully cure.

24 hours
Adhesive cure time