



DIAMONDBACK

DiamondBackCovers.com / 800 935 4002

'15-up Colorado & Canyon
with the 61.7" Cargo Box



INSTALLATION GUIDE

CVR-3

45 minutes
Normal install time

Keep an eye out for these icons:

IMPORTANT!
Important installation information

Helpful Hints
Tips to assist installation

PARTS INCLUDED:



Cab Panel



Center Panel



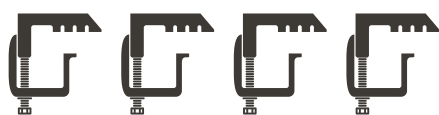
Tail Panel



1/8" Hex Key



Edge Trim (4)



Cap Clamps (4)



Gas Springs (4)



Ratchet Wrench



9/16" Socket



7/16" Socket

TOOLS REQUIRED:

PRE-INSTALLATION NOTES:

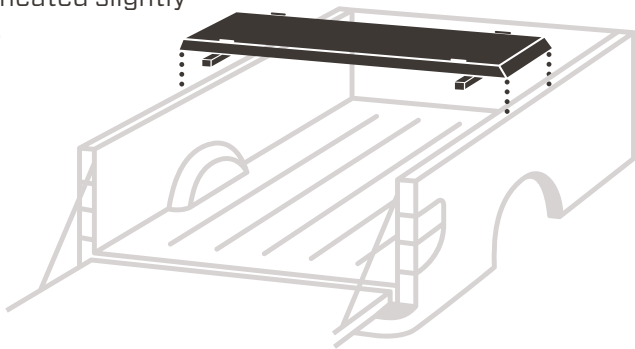
If you are installing a **cab guard** or **headache rack**, you should mount it prior to mounting your DiamondBack cover. Refer to its installation guide for details.

It's possible for one person to install a DiamondBack solo, but the whole process, especially positioning the panels, adjusting the lock rods, and connecting the cab-panel tethers, is easier with two people.

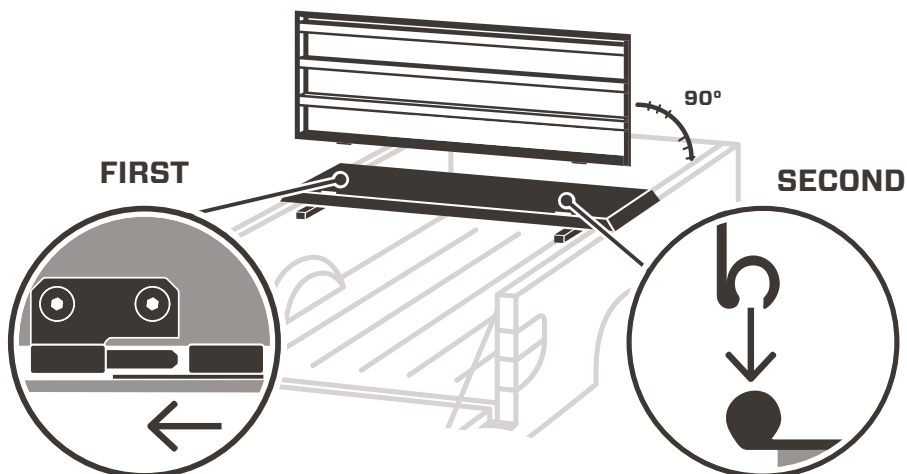
MOUNT THE PANELS

1 Place the **center panel** across the center of the bed, cheated slightly toward the tailgate.

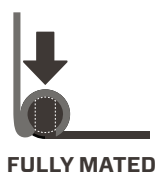
! Since the cover is slightly tapered, make sure the arrow sticker on the underside of the center panel is pointing toward the tailgate.



2 Attach the **tail panel** by angling it 90° from the bed rails, sliding its driver-side, loop-shaped hinge knuckle fully onto the corresponding center-panel hinge pin, then dropping its passenger-side, C-shaped hinge knuckle fully onto its corresponding pin.

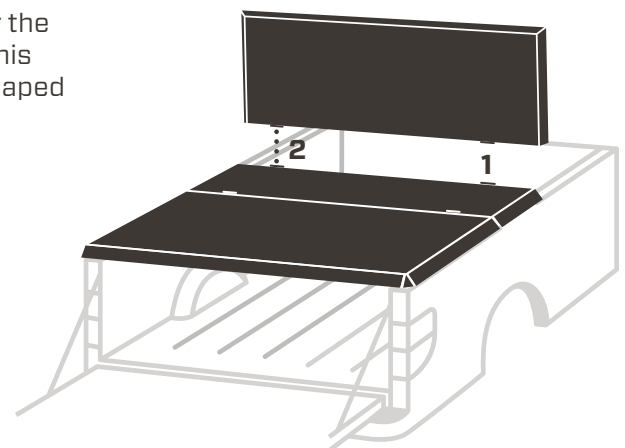


! To avoid hinge damage, make sure the C-shaped hinge knuckle is fully engaged with its pin before tilting the panel.



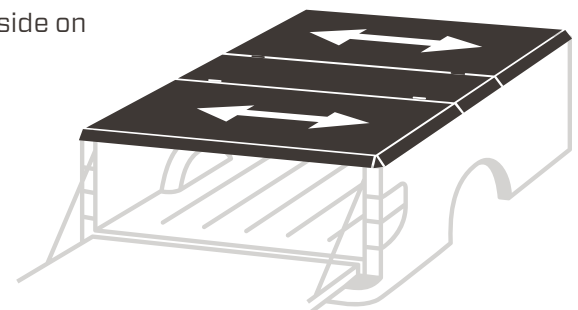
3 Lower the tail panel into the closed position.

4 Repeat steps 2-3 for the **cab panel**, starting this time with the loop-shaped hinge knuckle on the passenger side.

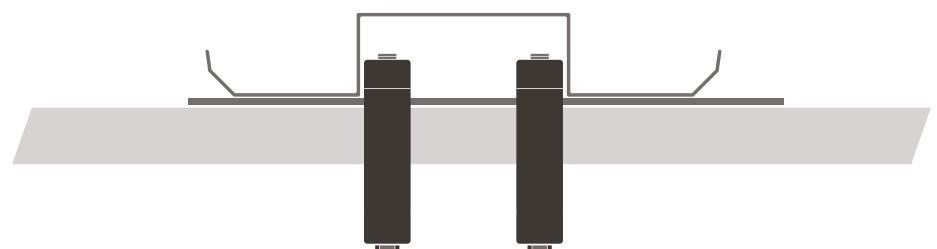


5 Position the cover front to back so that the leading edge of the closed cab panel lines up with the outside edge of the center of the bulkhead.

6 Center the cover side to side on the truck.



7 Affix the center panel to the truck by placing a **cap clamp** at each of the four interior corners of the underside of the center panel and tightening them with a 9/16" socket.

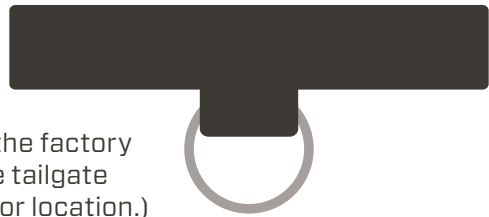


! Road vibration can loosen your clamps. Retighten them after 100 miles. Check them every time you haul on top.

CONTINUED ON REVERSE >

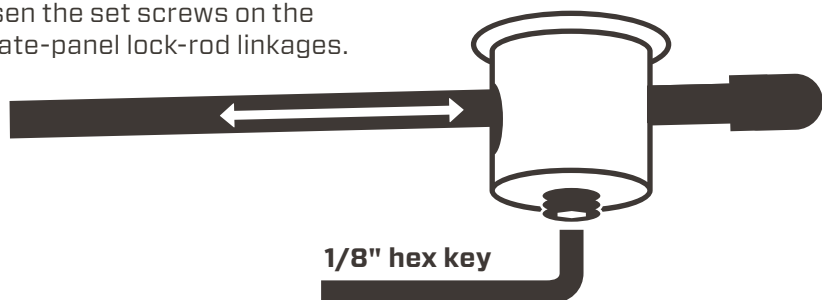
ADJUST THE LOCK RODS

- 8** Peel the red adhesive backing from two of the pieces of **edge trim** and affix one as far up as possible onto the top rim of each of the factory holes in the bed walls under the tailgate panel. (See step 11 illustration for location.)

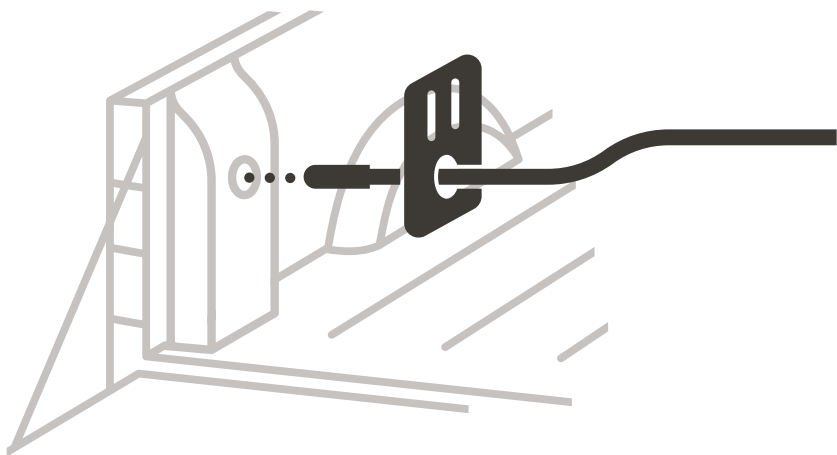


- ★ There may be plastic plugs in the factory holes. Remove them.

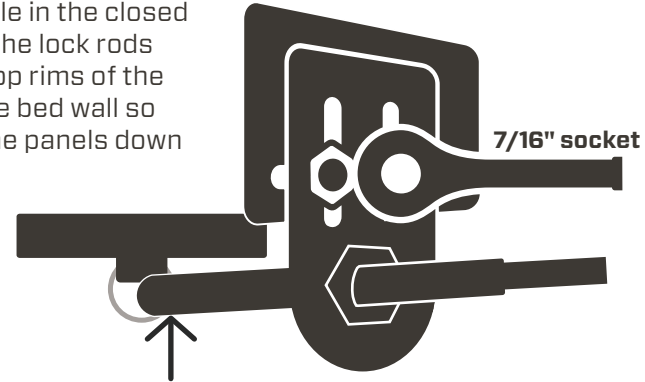
- 9** Loosen the set screws on the tailgate-panel lock-rod linkages.



- 10** With the lock handle in the open position, adjust the length of the lock rods so that their tips stop about 1/4" short of the factory holes.

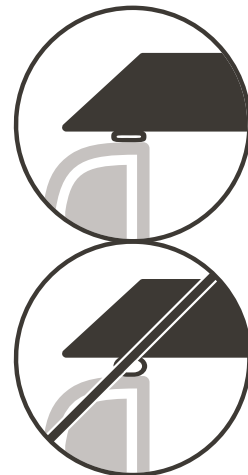


- 11** With the lock handle in the closed position, position the lock rods tight against the top rims of the factory holes in the bed wall so that they'll draw the panels down and compress the weatherstrip. Tighten the rod guide brackets with a 7/16" socket.



- ! For best weather protection, have a second person press down on the cover while you adjust the lock rods.

- ★ Using the access panels is easiest when you press down as you open or close them.



- 12** Repeat steps 8 through 11 for the cab panel.

- ★ Your panels should be hard to operate at first. After finishing install below, leave the panels closed as much as possible for 3-4 days to break in the weatherstrip. After that period, you should find that the panels open and close without difficulty.

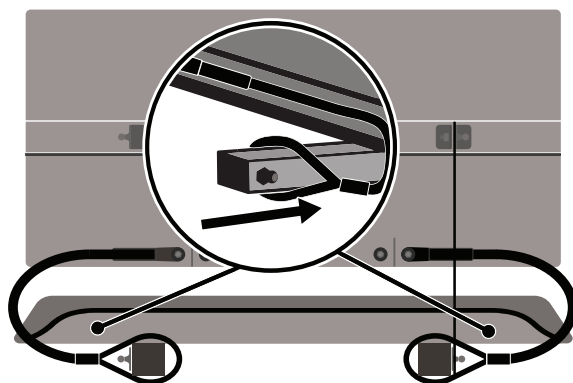
- ★ If the lock rods are still difficult to operate after the break-in period, rub a small amount of petroleum jelly on the top of their rubber end caps.

- ★ If you are also installing a **Cross Bin**, do so now. Refer to the **Cross Bin Installation Guide** for details.

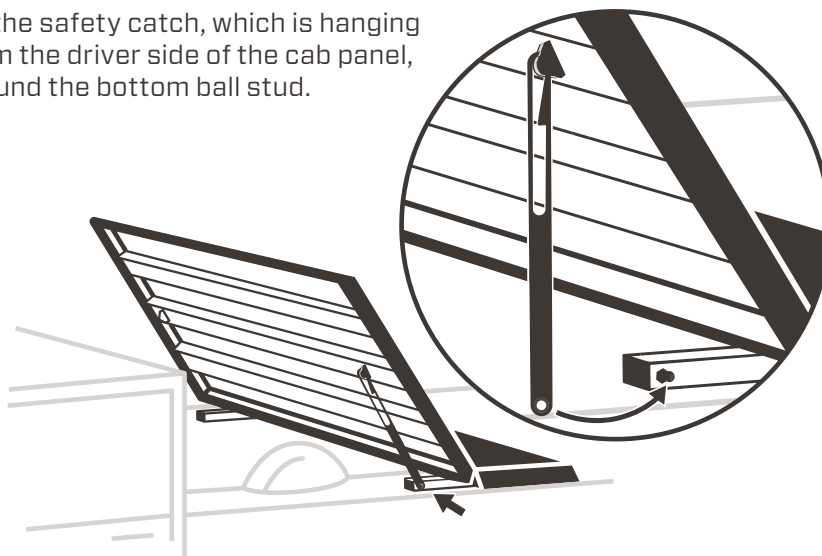
ATTACH THE SAFETY CATCH & GAS SPRINGS

- 13** Open the cab panel. Have a second person support it in the open position.

- 14** Slip the looped ends of the cable tethers that are attached to the underside of the cab panel around the center-panel ball stud arms, well past the ball studs.



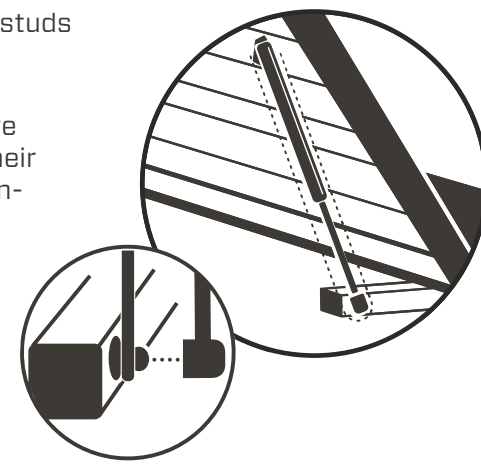
- 15** Fit the safety catch, which is hanging from the driver side of the cab panel, around the bottom ball stud.



- 16** Attach a **gas spring** to the ball studs alongside the safety catch.

- ★ If some of your gas springs have heavier poundage printed on their sides than others, use the stronger ones on the cab panel.

- ! To avoid premature failure of your gas springs, attach them barrel up, shaft down.



- 17** Attach the three remaining gas springs (barrel up, shaft down).

- 18** If your truck has bed rail caps, affix the included **bulkhead weatherstrip**. Refer to the **Bulkhead Prep Kit Installation Guide** for details.

- 19** Leave the cover closed and locked for 24 hours to allow the weatherstrip adhesive, which is pressure-sensitive, to fully cure.

24 hours
Adhesive cure time