



DIAMONDBACK

DiamondBackCovers.com / 800 935 4002

Nissans Without Utili-Tracks

270

INSTALLATION GUIDE

CVR-270.6

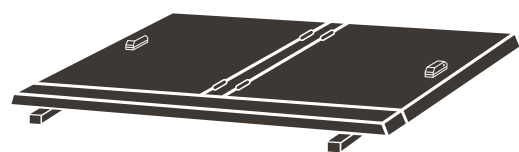
75 minutes
Normal install time

Keep an eye out for these icons:

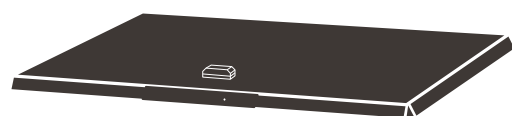
IMPORTANT!
Important installation information

Helpful Hints
Tips to assist installation

PARTS INCLUDED:



Cab & T Panels Assembly



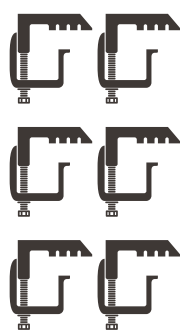
Tail Panel



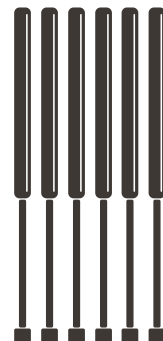
Bed-Rail Edge Trim (2)



1/8" Hex Key



Cap Clamps (6)



Gas Springs (6)

TOOLS REQUIRED:



Ratchet Wrench



Utility Knife



9/16" Socket



7/16" Socket

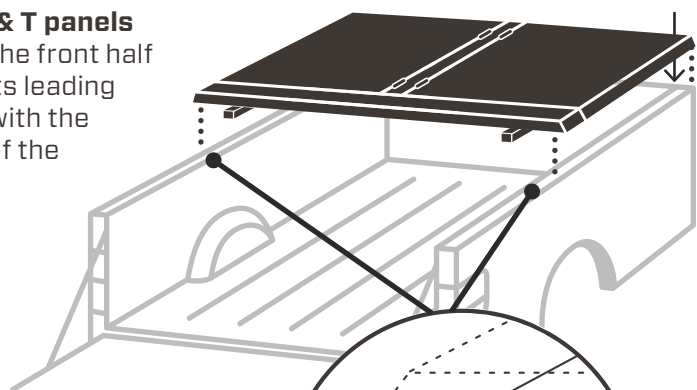
PRE-INSTALLATION NOTES:

You should mount the included **bulkhead prep kit** prior to installing the cover. Refer to the Bulkhead Prep Kit Installation Guide for details.

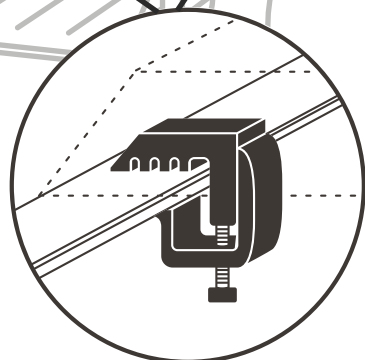
If you are also installing a **Cross Bin**, do so now. Refer to page 2 of v Cross Bin Installation Guide for details.

MOUNT THE COVER

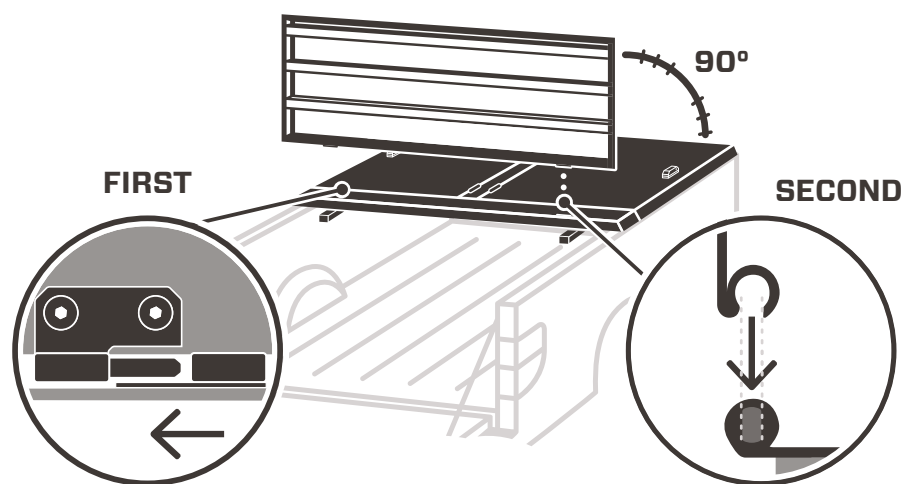
1 Place the **cab & T panels assembly** on the front half of the bed so its leading edge lines up with the outside edge of the bulkhead.



2 Loosely affix the T panel to the truck by finger-tightening two **cap clamps** under both side ends of the T panel.

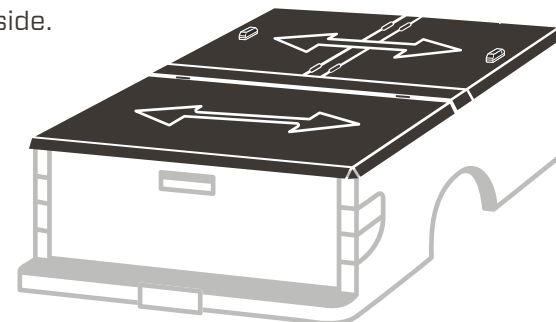


3 Attach the **tail panel** by angling it 90° from the bed rails, sliding its driver-side, loop-shaped hinge knuckle fully onto the corresponding center-panel hinge pin, then dropping its passenger-side, C-shaped hinge knuckle fully onto its corresponding pin.



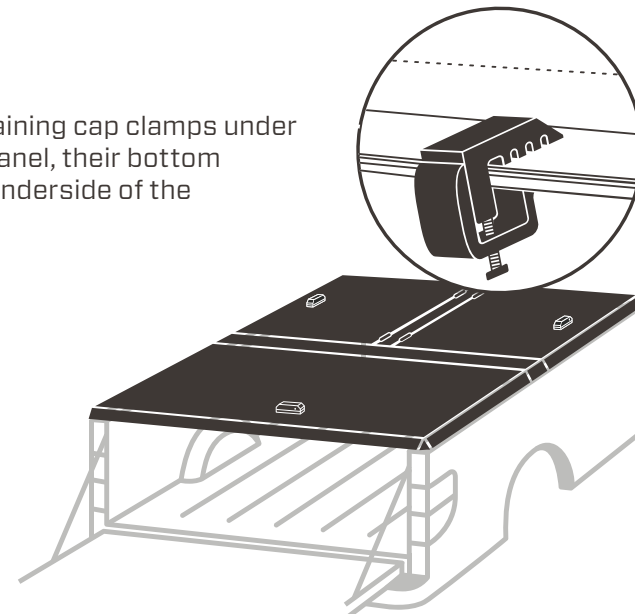
4 Lower the tail panel into the closed position.

5 Center the cover side to side.



6 Confirm the leading edge of the cover still lines up with the outside edge of the bulkhead.

7 Place the two remaining cap clamps under the nose of the T panel, their bottom jaws gripping the underside of the



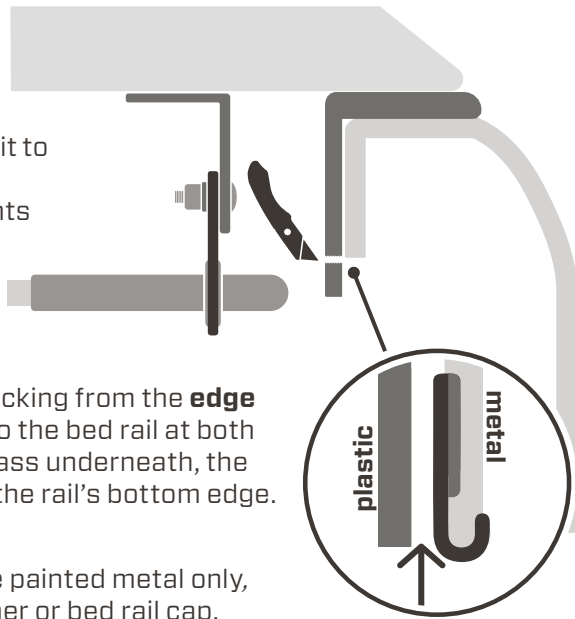
8 Tighten all six cap clamps with a 9/16" socket.

! Road vibration can loosen your clamps. Retighten them after 100 miles. Check them every time you haul on top.

CONTINUED ON REVERSE >

SET THE LOCK RODS

- 9** If plastic extends beyond the bottom of the vertical face of the truck's metal bed rails, trim a two-inch length of it to flush with the bed rail's bottom edge at both points under the tail panel where a lock rod will pass under the rails.

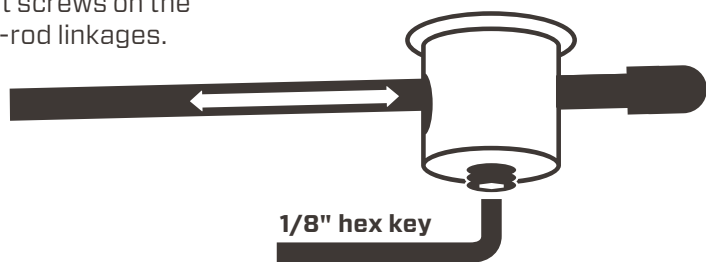


- 10** Peel the red adhesive backing from the **edge trim** pieces. Affix them to the bed rail at both points where a rod will pass underneath, the curl of their 'j's touching the rail's bottom edge.

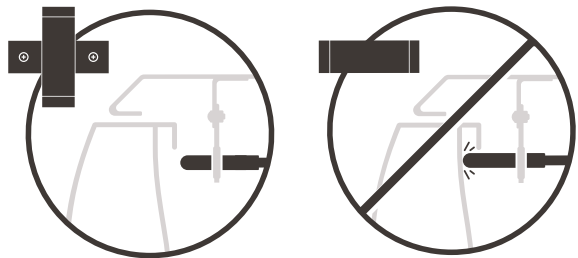
- !** Affix the edge trim to the painted metal only, *behind* the plastic bed liner or bed rail cap.

- ★ Using a tool to widen the curl of the 'j' can make this step easier.

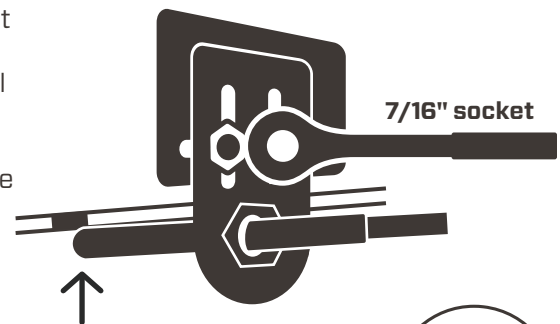
- 11** Loosen the set screws on the tail-panel lock-rod linkages.



- 12** Adjust the lock-rod length and retighten the set screws so that with the lock handle in the open position, the rod tips clear the bed rails, and with the handle in the closed position, the rod tips do not strike the bed walls.

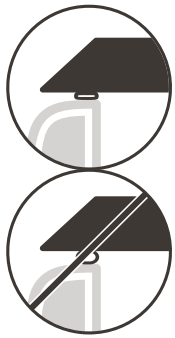


- 13** Position the lock rods tight against the underside of the bed rails so that they'll draw the panels down and compress the weatherstrip. Tighten the rod guide brackets with a 7/16" socket.



- !** For best weather protection, have a second person press down on the cover while you adjust the lock rods.

- ★ Using the access panels is easiest when you press down as you open or close them.



- 14** Repeat steps 11-13 for the forward cab-panel lock rods so that:
- with the lock handles in the open position, the rod tips clear the bulkhead angle,
 - with the handles in the closed position, the rod tips do not strike the bulkhead, and
 - in the closed position, they are tight against the underside of the bulkhead angle, drawing the panels down & compressing the weatherstrip.

- ★ The rearward cab-panel lock rods come pre-adjusted tight to the T-panel gutters. You need only adjust the forward lock rods.

- 15** Double-check all three panels to ensure they open, close, lock & seal correctly. If at any point the weatherstrip does not touch the bed rails, adjust the position of the lock rods.

- ★ Your panels should be difficult to operate at first. Leave them closed as much as possible for 3-4 days to break in the weatherstrip. After that period, you should find that the panels open and close without difficulty.

ATTACH THE GAS SPRINGS

- 16** If you are also installing a **Side Bin**, do so now. Refer to the **Side Bin Installation Guide** for details.

- 17** Attach the four weaker **gas springs** to the cab-panel ball studs and the two stronger gas springs to the tail-panel ball studs.

- ★ You'll find the gas spring strength printed on the sides of the barrels.

- !** To avoid premature failure of your gas springs, attach them barrel up, shaft down.

- 18** Leave the cover closed and locked for 24 hours to allow the weatherstrip adhesive, which is pressure-sensitive, to fully cure.

24 hours
Adhesive cure time

