



DIAMONDBACK

DiamondBackCovers.com / 800 935 4002

'07-up Tundra, '05-up Tacoma w/73" bed,
'04-up Titan & '05-up Frontier
w/Deck Rail System or Utili-track

270

CVR-270.3

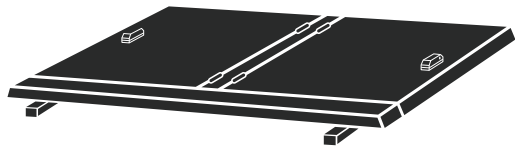
60 minutes
Normal install time

Keep an eye out for these icons:

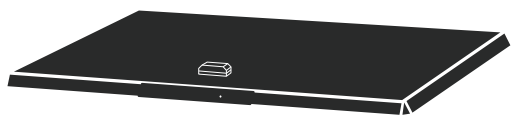
IMPORTANT!
Important installation information

Helpful Hints
Tips to assist installation

PARTS INCLUDED:



Cab & T Panels Assembly



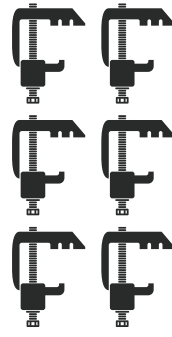
Tail Panel



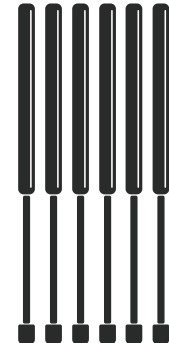
Bed-Rail
Edge Trim (2)
(Frontiers only)



1/8" Hex
Key



Cap Clamps (6)
exact appearance varies



Gas Springs (6)



Ratchet Wrench



Utility Knife
(Frontiers only)



9/16"
Socket



7/16"
Socket

PRE-INSTALLATION NOTES:

If you have a Tundra, Titan, Frontier, or '16-up Tacoma, you should affix the included **Bulkhead Prep Kit** prior to installing the DiamondBack 270. Refer to the **Bulkhead Prep Kit Installation Guide** for details.

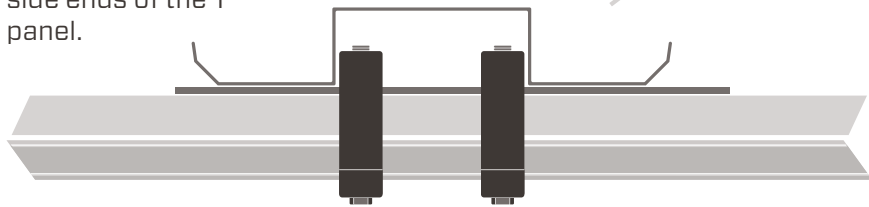
If you are installing a Cross Bin, you should start that before you install the DiamondBack 270. Refer to page 2 of the Cross Bin Installation Guide for details.

It's possible for one person to install a DiamondBack solo, but it's much easier with two people, especially when positioning the cover and adjusting the lock rods.

MOUNT THE COVER

1 Place the **cab & T panels assembly** on the front half of the bed so its leading edge lines up with the outside edge of the bulkhead.

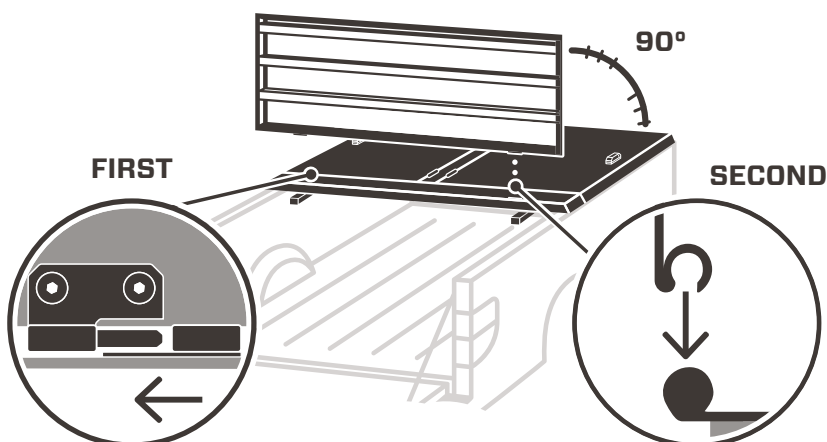
2 Loosely affix the T panel to the truck by finger-tightening two **cap clamps** under both side ends of the T panel.



! The clamps' bottom jaws should grip inside the deck rails or Utili-track.

★ If you have two different kinds of clamps, use the four of a kind on this step.

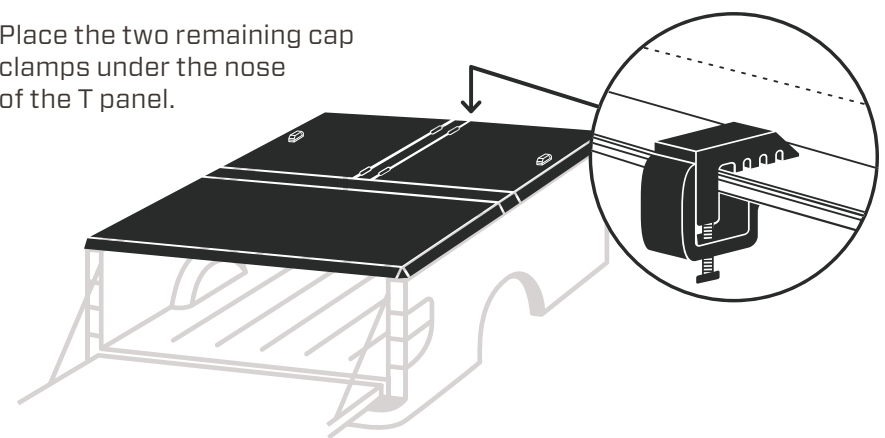
3 Attach the **tail panel** by angling it 90° from the bed rails, sliding its driver-side, loop-shaped hinge knuckle fully onto the corresponding center-panel hinge pin, then dropping its passenger-side, C-shaped hinge knuckle fully onto its corresponding pin.



4 Lower the tail panel into the closed position, making sure the drop-on hinge is fully mated.

5 Center the cover side to side.

6 Place the two remaining cap clamps under the nose of the T panel.



! The bottom jaws of the nose clamps should grip the:
A. underside of the bulkhead angle on Frontiers,
B. underside of square-tube top rail on '16-up Tacomas, and
C. inside of deck rail on Tundras, Titans & '05-15 Tacomas.

7 Tighten all six cap clamps with a 9/16" socket.

! On Toyotas, don't tighten the clamps so much that they deform the plastic bed rail caps.

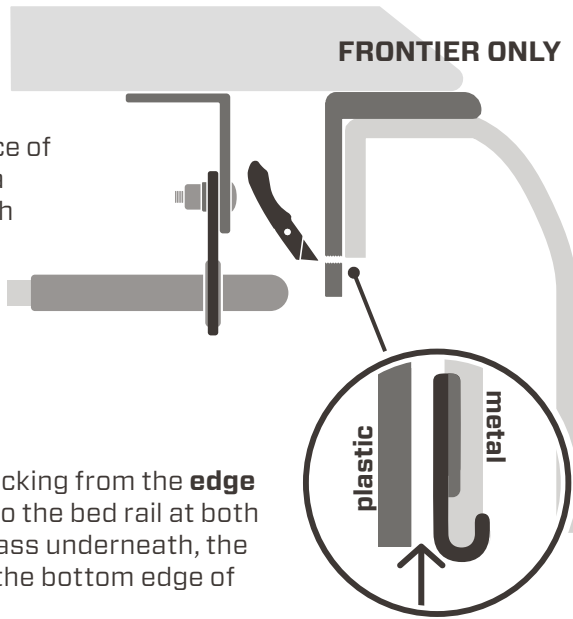
! Road vibration can loosen your clamps. Retighten them after 100 miles. Check them every time you haul on top.

8 If you have a '05-15 Tacoma, affix the included **bulkhead weather-strip** now. Refer to the Bulkhead Prep Kit Installation Guide for details.

CONTINUED ON REVERSE >

SET THE LOCK RODS

9 If your truck is *not* a Frontier, skip to step 11. If it is, and if plastic extends beyond the bottom of the vertical face of the metal bed rails, trim a two-inch length of it, flush with the bed rail's bottom edge, at both points under the tail panel where a lock rod will pass under the rails.

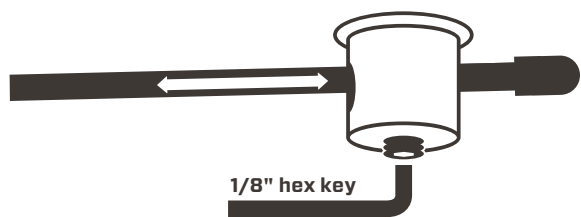


10 Peel the red adhesive backing from the **edge trim pieces**. Affix them to the bed rail at both points where a rod will pass underneath, the curl of their 'j's touching the bottom edge of the rail.

! Affix the edge trim to the painted metal only, *behind* the plastic bed liner or bed rail cap.

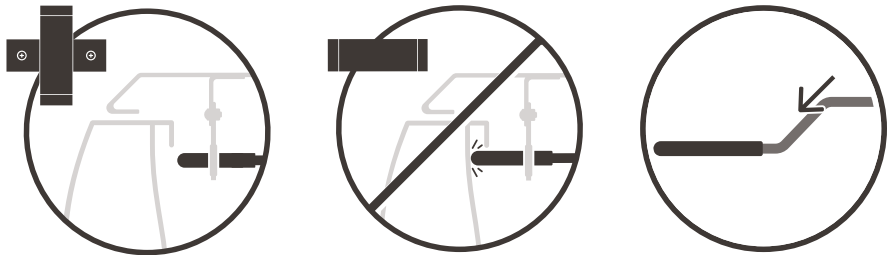
★ Using a tool to widen the curl of the 'j' can make this step easier.

11 Loosen the set screws on the tail-panel lock-rod linkages.



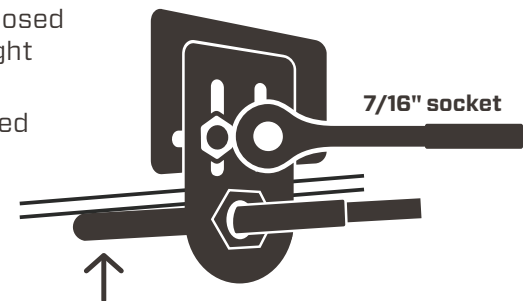
12 Adjust the length of the lock rods & retighten the set screws so that:

- A. with the lock handle in the open position, the rod tips clear the bed rails (Frontier), Utili-track (Titan), or deck rail system (Tundra & Tacoma),
- B. with the handle in the closed position, the rod tips do not strike the bed walls, and
- C. the first bend in the lock rods points downward.



13 With the lock handle in the closed position, set the lock rods tight against:

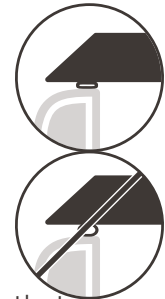
- A. the underside of the bed rails on Frontiers,
- B. the underside of the Utili-track on Titans, and
- C. the inside of the deck rails on Tundras and Tacomas.



Tighten the rod guide brackets with a 7/16" socket.

! For best weather protection, have a second person press down on the cover while you adjust the lock rods.

★ Using the access panels is easiest when you press down as you open or close them.



14 Repeat steps 11-13 for the forward cab-panel lock rods so that:

- A. with the lock handles in the open position, the rod tips clear the bulkhead angle (Nissan), deck rails (Tundra & '05-15 Tacoma), or square-tube top rail ('16-up Tacoma).
- B. in the closed position, the rod tips do not strike the bulkhead, and
- C. in the closed position, they are tight against:
 - the underside of the bulkhead angle on Nissans,
 - the underside of the square-tube top rail on '16-up Tacomas, and
 - the inside of the deck rails on Tundras & '05-15 Tacomas.

★ The rearward cab-panel lock rods come pre-adjusted tight to the T-panel gutters. You need only adjust the forward lock rods.

15 Double-check all three panels to ensure they open, close, lock & seal correctly. If at any point the weatherstrip does not touch the bed rails, adjust the position of the lock rods.

★ Your panels should be difficult to operate at first. Leave them closed as much as possible for 3-4 days to break in the weatherstrip. After that period, you should find that the panels open and close without difficulty.

ATTACH THE GAS SPRINGS

16 If you are also installing a **Side Bin**, do so now. Refer to the **Side Bin Installation Guide** for details.

17 Attach the two stronger **gas springs** to the tail-panel ball studs and the four weaker gas springs to the cab-panel ball studs.

★ You'll find the gas spring strength printed on the sides of the barrels.

! To avoid premature failure of your gas springs, attach them barrel up, shaft down.

18 Leave the cover closed and locked for 24 hours to allow the weatherstrip adhesive, which is pressure-sensitive, to fully cure.

24 hours
Adhesive cure time

