



## INSTALLATION GUIDE

CVR-180.3

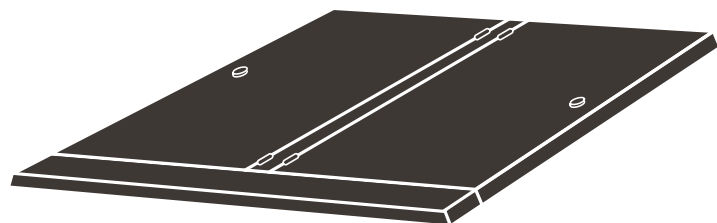
**60 minutes**  
Normal install time

Keep an eye out for these icons:

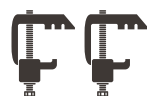
**IMPORTANT!**  
Important installation information

**Helpful Hints**  
Tips to assist installation

### PARTS INCLUDED:



180 Cover



Cap Clamps (2)



Mounting Brackets (2)



1/8" Hex Key



Gas Springs (4)

### TOOLS REQUIRED:



Ratchet Wrench



9/16" Socket



10 mm Socket



7/16" Socket

### PRE-INSTALLATION NOTES:

You'll need a second person to help with this installation.

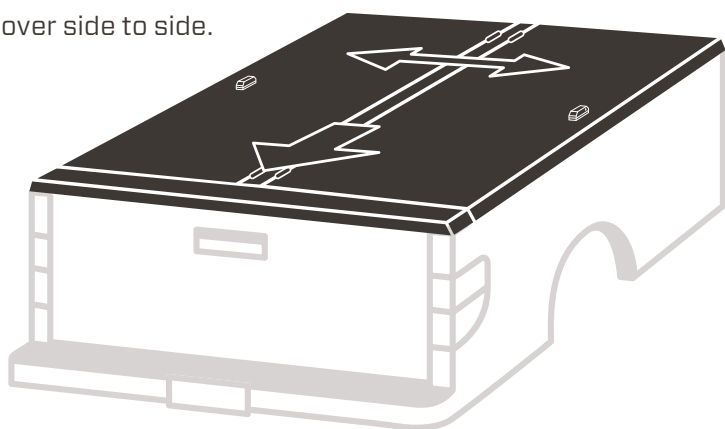
If you have a 2016-up Tacoma, you should affix the included rubber gasket to your bulkhead prior to installing your cover. Refer to the **Bulkhead Prep Kit Installation Guide** for details.

If you are installing a **Cross Bin**, you should start before installing the cover. Refer to page 2 of the **Cross Bin Installation Guide** for details.

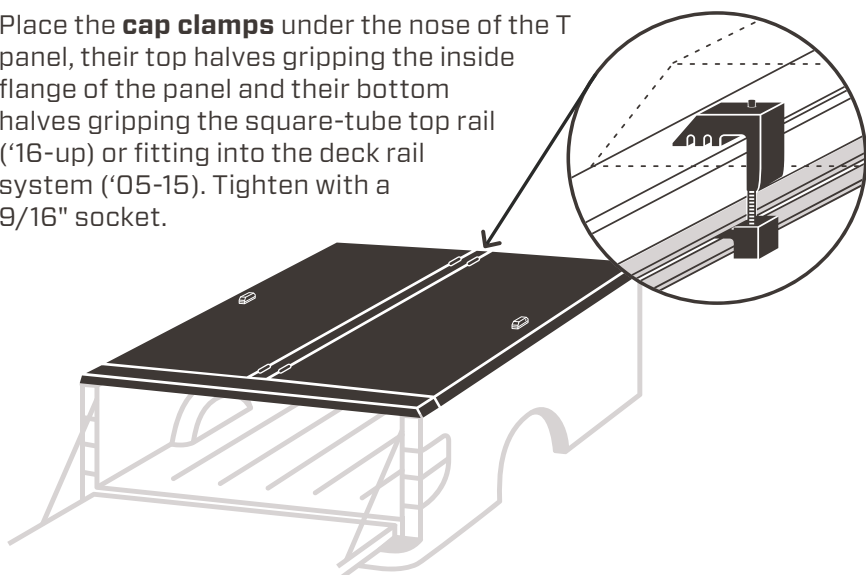
## PREPARE THE CARGO BED & MOUNT THE COVER

**1** Close the tailgate. Place the **cover** onto the cargo bed so that the weatherstrip along the cover's rear angle is firmly compressed against the inside edge of the tailgate.

**2** Center the cover side to side.



**3** Place the **cap clamps** under the nose of the T panel, their top halves gripping the inside flange of the panel and their bottom halves gripping the square-tube top rail ('16-up) or fitting into the deck rail system ('05-15). Tighten with a 9/16" socket.



**4** Verify that the cover remains centered side to side and its rear weatherstrip remains compressed against the tailgate.

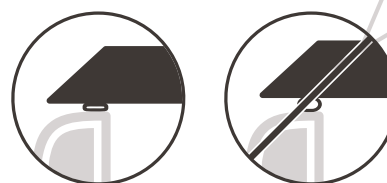
**5** Use a 10mm socket to remove the factory bolt and washer that are on the cargo-bed wall directly below the hollow section of the driver-side end of the cover's T panel. Repeat on the passenger side.

**6** Place a **mounting bracket** at each end of the T panel so that the bracket's top leg overlaps the inside flange of the panel and its slot aligns with the factory bolt hole.

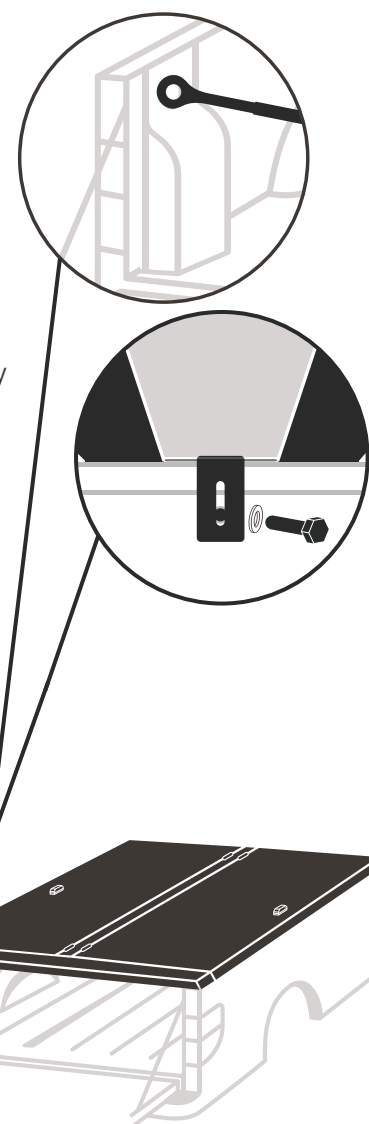
**★** Peel the adhesive backing from the top leg of the brackets so they'll stay in place as you attach them.

**7** Re-insert each bolt through its washer, through the bracket slot, and into the factory hole. Re-tighten.

**!** To get the weatherstrip compression necessary for its adhesive to cure and the cover to keep out the weather, have a second person press down on the cover while you're reinstalling the factory bolts.

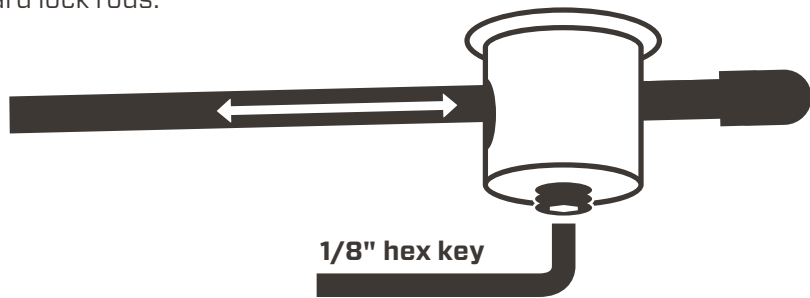


**8** If you have a '05-15 Tacoma, you should affix the included bulkhead weatherstrip at this point. Refer to the Bulkhead Prep Kit Installation Guide for details.

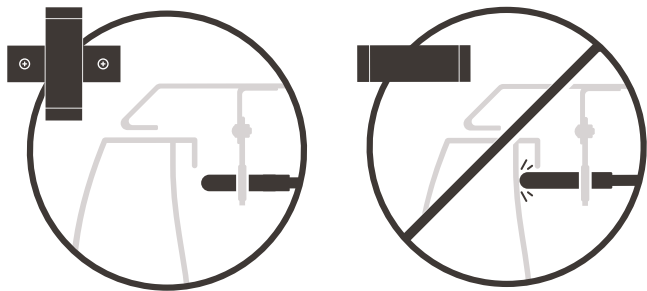


# ADJUST THE LOCK RODS

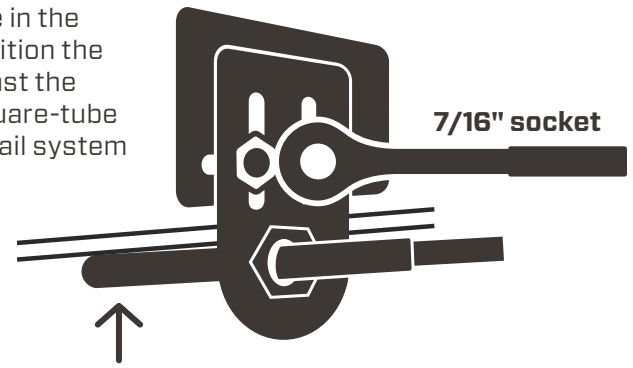
- 9 Use the **1/8" hex key** to loosen the set screws on the linkages of the forward lock rods.



- 10 Adjust the length of the forward lock rods and retighten the set screws so that:
- A. with the lock handles in the open position, the rod tips clear the square-tube top rail or deck rail system and
  - B. with the handle in the closed position, the rod tips do not strike the bulkhead.



- 11 With the lock handle in the closed position, position the lock rods tight against the underside of the square-tube top rail or the deck rail system so that they'll draw the panels down and compress the weatherstrip. Tighten the rod guide brackets with a **7/16" socket**.



- 12 Double-check both panels to ensure they open, close, lock & seal correctly. If at any point the weatherstrip does not touch the bed rails, readjust the lock rods and mounting brackets as needed.

- ★ Your panels should be difficult to operate at first. After finishing installation below, leave the panels closed as much as possible for 3-4 days to break in the weatherstrip. After that period, you should find that the panels open and close without difficulty.

# ATTACH THE GAS SPRINGS

- 13 Attach the **gas springs** to the ball studs.

- ! To avoid premature failure of your gas springs, attach them barrel up, shaft down.

- 14 Leave the cover closed and locked for 24 hours to allow the weatherstrip adhesive, which is pressure-sensitive, to fully cure.

- 🕒 **24 hours**  
Adhesive cure time

