

WINDCHIME | WINDCHIME - SUSPENDED - 700 | CHIME-700-S



DESCRIPTION

A poetic interpretation of traditional bamboo windchime forms. The design is a circular tiered arrangement of repeated 'windchimes'. The chandelier is illuminated by 24 G4 LED's in each windchime as well as 6 LEDs on top of the main frame which illuminate and cast dramatic shadows onto the ceiling.

PRODUCT SIZE

SHADE SIZE: 700W X 1820H MM / TOTAL HEIGHT: 2320MM

PACKAGING DIMENSIONS

810MM(W) X 810MM(L) X 330MM(H)



LAMP TYPE & NO

30 X G4-LED 12V 3 WATT LAMPS (90W) LED ONLY

CLASS III
IP RATING 52
QC RATING 31

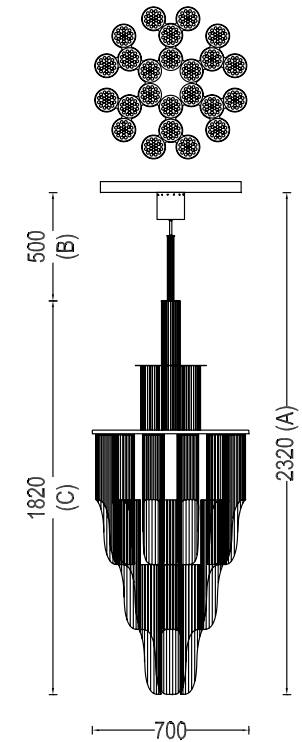
VOLTAGE RANGE
12V

PRODUCT MARKS & RATINGS



WEIGHT 25KG
PACKED 33KG
WEIGHT

TECHNICAL DRAWING



INTERACT

SELECT COLOUR

- SILVER *
- BRASS *
- COPPER *
- SMOKE *
- MIXED METALIC *
- RUST *
- WHITE
- RED
- BLACK

* METALLIC

CUSTOMISE DIMENSIONS

A

B

LAMP TYPE

QUANTITY

ADDITIONAL COMMENTS

WEB LINK