

HALDANE

Plat-O Catalogue





HALDANE

ABOUT

Plat-O

Svelte + Sophisticated Tables.

Named after “plateau” an area of level high ground. The sleek, expansive Plat-O table tops are supported by upward slanted, geometric pedestal bases.

Sophisticated and functional, the Plat-O collection comprises of round and flat-oval shaped tables, ranging from elegant 2-seaters to generous 20-seaters, server tables and bar tables.

HALDANE

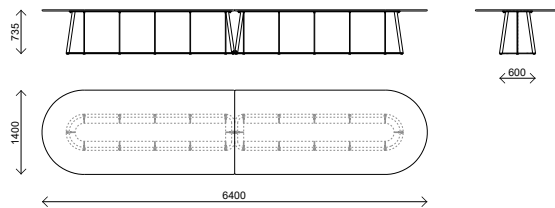


COLLECTIONS

Plat-O

Flat Oval 20-Seater

| | | |
|-----------------------|-------------|--------------------------|
| PACK SIZE (MM) | TABLE TOPS | L3400 X W1600 X H375 |
| | TABLE BASES | L2900 X W700 X H810 |
| CUBIC METERS | TABLE TOPS | 2.04 M ³ EACH |
| | TABLE BASES | 1.64 M ³ EACH |
| PACK WEIGHT | TABLE TOPS | 300 KG EACH |
| | TABLE BASES | 140 KG EACH |
| MATERIALS | TABLE TOPS | DEKTON 20MM |
| | TABLE BASES | POWDER COATED SS304 |



HALDANE

COLLECTIONS

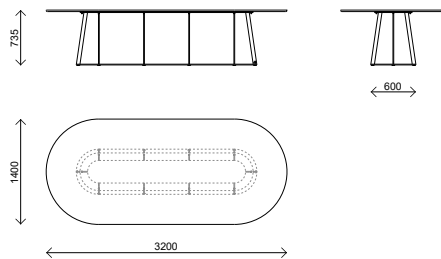
Plat-O

Flat Oval 12-Seater

| | | |
|-----------------------|------------|----------------------|
| PACK SIZE (MM) | TABLE TOP | L3400 X W1600 X H375 |
| | TABLE BASE | L2500 X W700 X H810 |

| | | |
|--------------------|------------|--------|
| PACK WEIGHT | TABLE TOP | 290 KG |
| | TABLE BASE | 130 KG |

| | | |
|------------------|------------|---------------------|
| MATERIALS | TABLE TOP | DEKTON 20MM |
| | TABLE BASE | POWDER COATED SS304 |



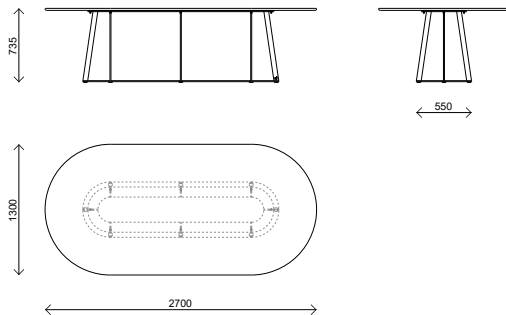
HALDANE

COLLECTIONS

Plat-O

Flat Oval 10-Seater

| | | |
|-----------------------|------------|----------------------|
| PACK SIZE (MM) | TABLE TOP | L2900 X W1500 X H375 |
| | TABLE BASE | L2060 X W650 X H810 |
| PACK WEIGHT | TABLE TOP | 210 KG |
| | TABLE BASE | 120 KG |
| MATERIALS | TABLE TOP | DEKTON 20MM |
| | TABLE BASE | POWDER COATED SS304 |



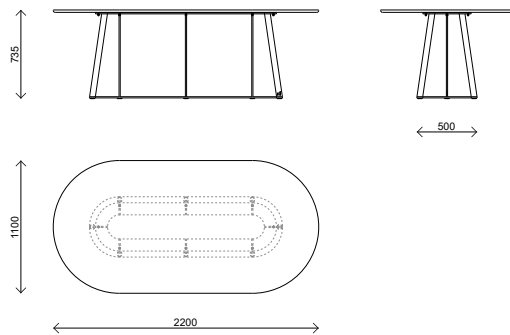
HALDANE

COLLECTIONS

Plat-O

Flat Oval 8-Seater

| | | |
|-----------------------|------------|----------------------|
| PACK SIZE (MM) | TABLE TOP | L2400 X W1300 X H375 |
| | TABLE BASE | L1700 X W600 X H810 |
| PACK WEIGHT | TABLE TOP | 180 KG |
| | TABLE BASE | 90 KG |
| MATERIALS | TABLE TOP | DEKTON 20MM |
| | TABLE BASE | POWDER COATED SS304 |



HALDANE

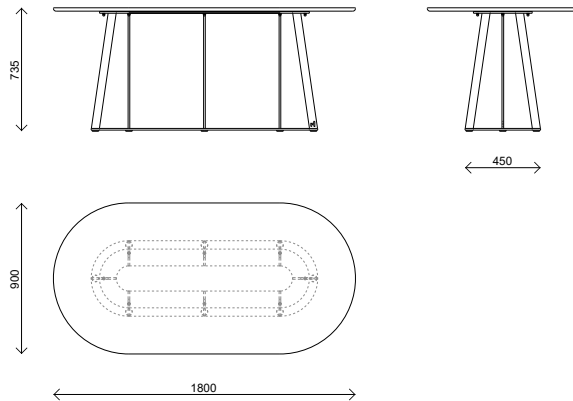


COLLECTIONS

Plat-O

Flat Oval 6-Seater

| | | |
|-----------------------|------------|----------------------|
| PACK SIZE (MM) | TABLE TOP | L2000 X W1100 X H375 |
| | TABLE BASE | L1450 X W550 X H810 |
| PACK WEIGHT | TABLE TOP | 130 KG |
| | TABLE BASE | 55 KG |
| MATERIALS | TABLE TOP | DEKTON 20MM |
| | TABLE BASE | POWDER COATED SS304 |



HALDANE

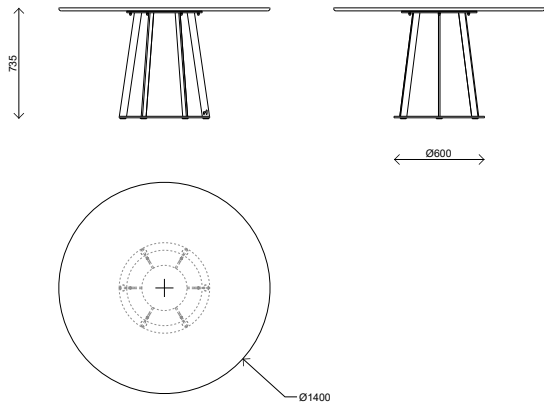


COLLECTIONS

Plat-O

Round 6-Seater

| | | |
|-----------------------|------------|----------------------|
| PACK SIZE (MM) | TABLE TOP | L1600 X W1600 X H375 |
| | TABLE BASE | L700 X W700 X H810 |
| PACK WEIGHT | TABLE TOP | 140 KG |
| | TABLE BASE | 70 KG |
| MATERIALS | TABLE TOP | DEKTON 20MM |
| | TABLE BASE | POWDER COATED SS304 |



HALDANE

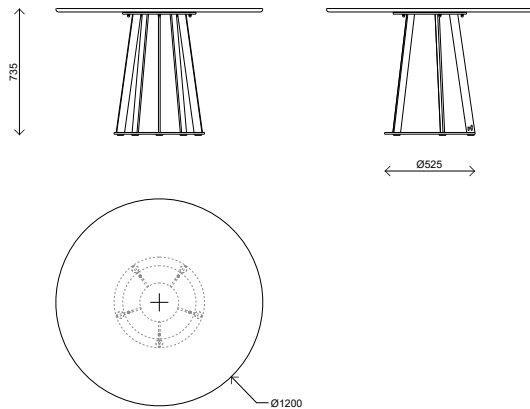


COLLECTIONS

Plat-O

Round 5-Seater

| | | |
|-----------------------|------------|----------------------|
| PACK SIZE (MM) | TABLE TOP | L1400 X W1400 X H375 |
| | TABLE BASE | L630 X W630 X H810 |
| PACK WEIGHT | TABLE TOP | 120 KG |
| | TABLE BASE | 60 KG |
| MATERIALS | TABLE TOP | DEKTON 20MM |
| | TABLE BASE | POWDER COATED SS304 |



HALDANE

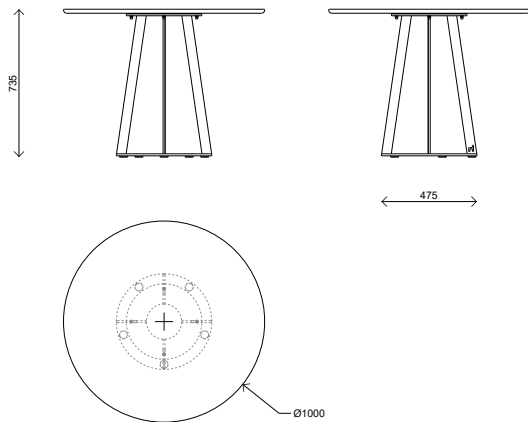


COLLECTIONS

Plat-O

Round 4-Seater

| | | |
|-----------------------|------------|----------------------|
| PACK SIZE (MM) | TABLE TOP | L1200 X W1200 X H375 |
| | TABLE BASE | L580 X W580 X H810 |
| PACK WEIGHT | TABLE TOP | 100 KG |
| | TABLE BASE | 50 KG |
| MATERIALS | TABLE TOP | DEKTON 20MM |
| | TABLE BASE | POWDER COATED SS304 |



HALDANE

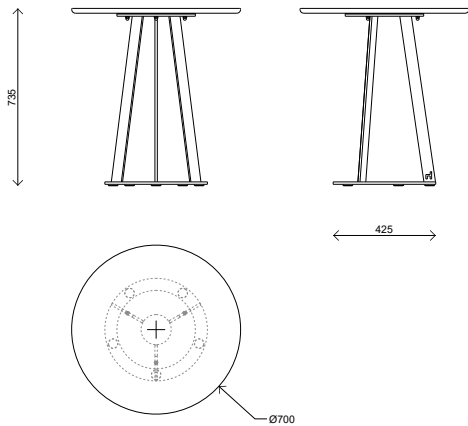


COLLECTIONS

Plat-O

Round 2-Seater

| | | |
|-----------------------|------------|---------------------|
| PACK SIZE (MM) | TABLE TOP | L900 X W900 X H375 |
| | TABLE BASE | L530 X W530 X H810 |
| PACK WEIGHT | TABLE TOP | 55 KG |
| | TABLE BASE | 30 KG |
| MATERIALS | TABLE TOP | DEKTON 20MM |
| | TABLE BASE | POWDER COATED SS304 |



HALDANE

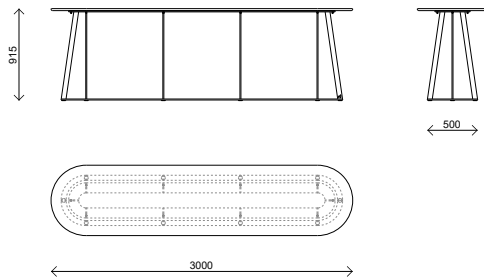


COLLECTIONS

Plat-O

Server Large

| | | |
|-----------------------|------------|---------------------|
| PACK SIZE (MM) | TABLE TOP | L3200 X W900 X H375 |
| | TABLE BASE | L2900 X W600 X H990 |
| PACK WEIGHT | TABLE TOP | 140 KG |
| | TABLE BASE | 100 KG |
| MATERIALS | TABLE TOP | DEKTON 20MM |
| | TABLE BASE | POWDER COATED SS304 |



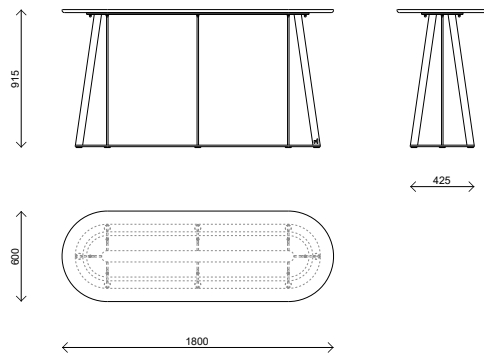
HALDANE

COLLECTIONS

Plat-O

Server Medium

| | | |
|-----------------------|------------|---------------------|
| PACK SIZE (MM) | TABLE TOP | L2000 X W800 X H375 |
| | TABLE BASE | L1730 X W540 X H990 |
| PACK WEIGHT | TABLE TOP | 110 KG |
| | TABLE BASE | 70 KG |
| MATERIALS | TABLE TOP | DEKTON 20MM |
| | TABLE BASE | POWDER COATED SS304 |



HALDANE

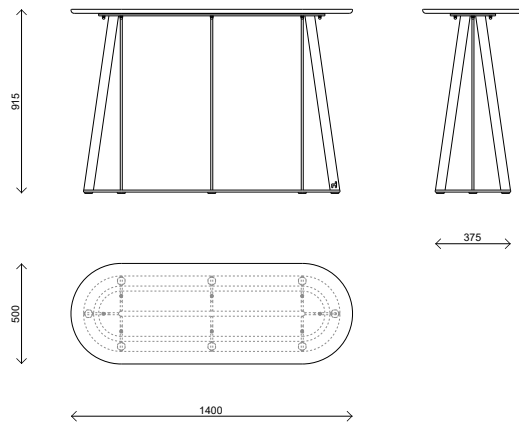


COLLECTIONS

Plat-O

Server Small

| | | |
|-----------------------|------------|---------------------|
| PACK SIZE (MM) | TABLE TOP | L1600 X W700 X H375 |
| | TABLE BASE | L1380 X W480 X H990 |
| PACK WEIGHT | TABLE TOP | 85 KG |
| | TABLE BASE | 60 KG |
| MATERIALS | TABLE TOP | DEKTON 20MM |
| | TABLE BASE | POWDER COATED SS304 |



HALDANE

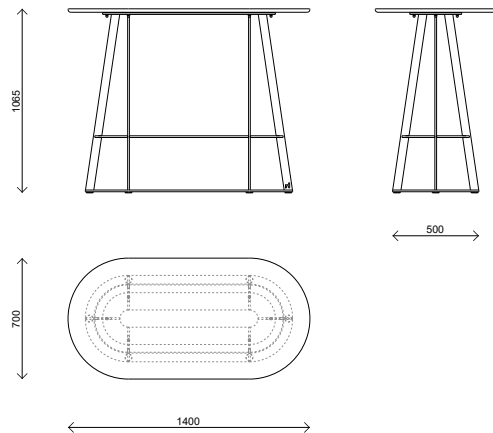


COLLECTIONS

Plat-O

Bar Table Flat Oval

| | | |
|-----------------------|------------|----------------------|
| PACK SIZE (MM) | TABLE TOP | L1600 X W900 X H375 |
| | TABLE BASE | L1300 X W600 X H1140 |
| PACK WEIGHT | TABLE TOP | 95 KG |
| | TABLE BASE | 75 KG |
| MATERIALS | TABLE TOP | DEKTON 20MM |
| | TABLE BASE | POWDER COATED SS304 |



HALDANE

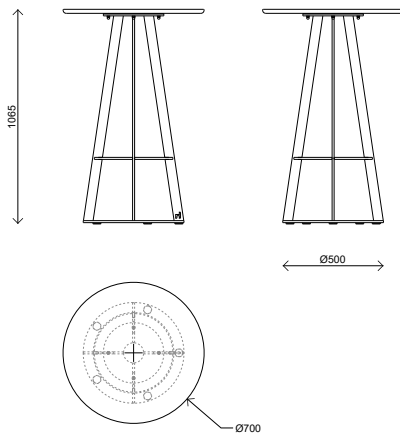


COLLECTIONS

Plat-O

Bar Table Round

| | | |
|-----------------------|------------|---------------------|
| PACK SIZE (MM) | TABLE TOP | L900 X W900 X H375 |
| | TABLE BASE | L600 X W600 X H1140 |
| PACK WEIGHT | TABLE TOP | 55 KG |
| | TABLE BASE | 45 KG |
| MATERIALS | TABLE TOP | DEKTON 20MM |
| | TABLE BASE | POWDER COATED SS304 |



HALDANE

FINISHES

Table Base Powder Coat

The Geometric pedestal base is laser cut from 304 stainless steel plate then powder-coated in UV stable pure polyester with a luxurious ferro grain finish in any of our erudite colours.

CARE + MAINTENANCE

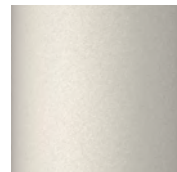
Care for your powder coated stainless steel & aluminium components by wiping when dirty with a damp cloth soaked in a solution of mild detergent (like Sunlight Liquid) and water.

For coastal environments (within 200m of the ocean) it is necessary to make use of Marine Grade stainless steel SS316 and to wipe sea air condensation off of your furniture on a weekly basis.

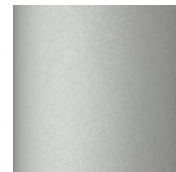
Avoid harsh chemical cleaning products and scratching with sharp objects as this can damage the powder coating.



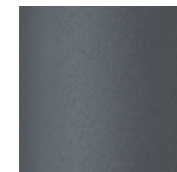
Traffic White



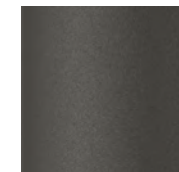
Silk Grey



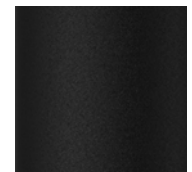
Light Grey



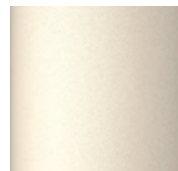
Basalt Grey



Umber Grey



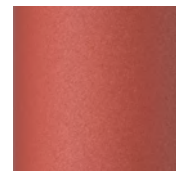
Jet Black



Cream



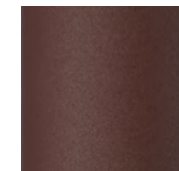
Beige Red



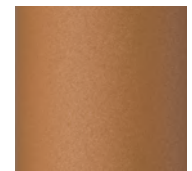
Coral Red



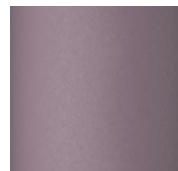
Purple Red



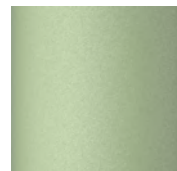
Chestnut Brown



Ochre Brown



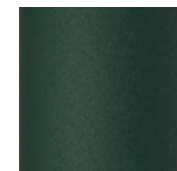
Pastel Violet



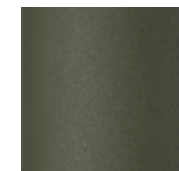
Pale Green



Emerald Green



Moss Green



Olive Green



Lemon Yellow



Pastel Turquoise



Gentian Blue



Night Blue



Ocean Blue

FINISHES

Table Tops

Dekton

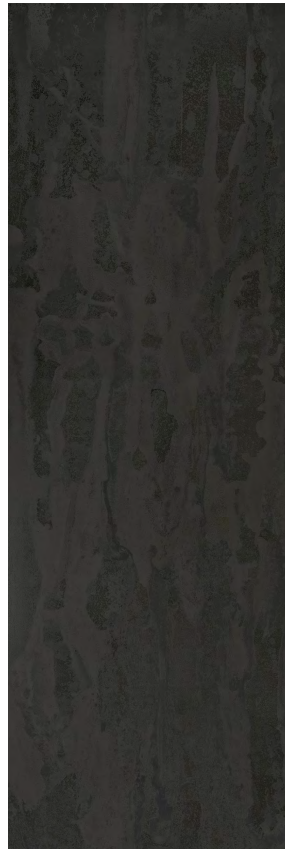
Table tops are offered in Dekton by Cosentino 20mm slabs. Scinterized stone is ideal for luxury outdoor living with longevity. Our curated selection of Dekton finishes are Radium, Somnia, Kreta and Neural.

CARE + MAINTENANCE

Due to its practically zero porosity, the ultra-compact Dekton® surface is highly resistant to staining in day-to-day use and from chemical products, making it ideal for use as a kitchen worktop and as a surface for other kinds of work, both inside and out.

For general cleaning, Cosentino recommends the use of Q-Action with a sponge. If this product is not available, the best option is to use a neutral soap and water (like Sunlight liquid).

Dekton by Cosentino is Carbon Neutral from cradle to grave.



Dekton - Radium - 20mm



Dekton - Onirika Somnia - 20mm



Dekton - Kreta - 20mm



Dekton - Onirika Neural - 20mm

HALDANE

FINISHES

Table Tops

Dekton

Table tops are offered in Dekton by Cosentino 20mm slabs. Dekton is the ideal material for luxury outdoor living with longevity. Choose Dekton Craftizen Umber, Nacre, Argentium or Micron.

CARE + MAINTENANCE

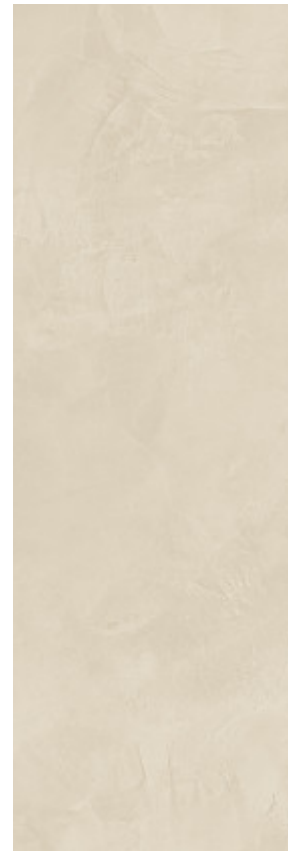
Due to its practically zero porosity, the ultra-compact Dekton® surface is highly resistant to staining in day-to-day use and from chemical products, making it ideal for use as a kitchen worktop and as a surface for other kinds of work, both inside and out.

For general cleaning, Cosentino recommends the use of Q-Action with a sponge. If this product is not available, the best option is to use a neutral soap and water (like Sunlight liquid).

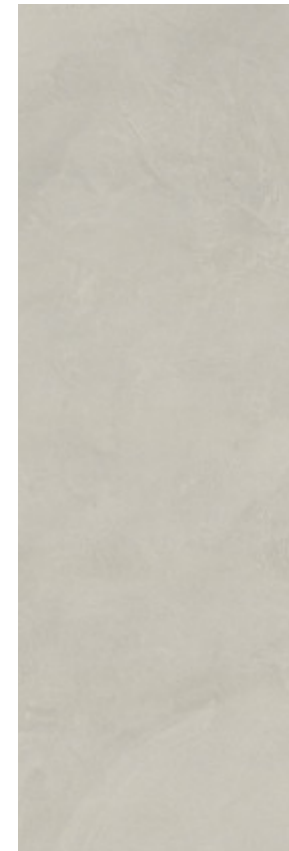
Dekton by Cosentino is Carbon Neutral from cradle to grave.



Dekton - Craftizen - Umber



Dekton - Craftizen - Nacre



Dekton - Craftizen - Argentium



Dekton - Craftizen - Micron

HALDANE



Care + Maintenance

1. OUTDOOR STEEL POWDER COATING CARE

Care for your powder coated stainless steel & aluminium components by wiping when dirty with a damp cloth soaked in a solution of mild detergent (like Sunlight Liquid) and water. For coastal environments (within 200m of the ocean) it is necessary to make use of Marine Grade stainless steel SS316 and to wipe sea air condensation off of your furniture on a weekly basis. Avoid harsh chemical cleaning products and scratching with sharp objects as this can damage the powder coating.

2. OUTDOOR UPHOLSTERY FABRIC CARE

Care for your upholstery by regularly brushing off loose dirt with a soft brush. When dirty, spot clean using a soft bristle brush to scrub on a solution of water and mild soap. Allow the cleaning solution to soak into the fabric. Rinse thoroughly until all soap residue is removed and then air dry. Make use of weather covers when furniture is on uncovered patios or take removable upholstery indoors.

3. IROKO TIMBER CARE

For general cleaning, use a clean cloth to wipe down timber components with a solution of Rubio® Monocoat Exterior Soap and water. Allow the surface to dry.

For MAINTENANCE reapply Rubio® Monocoat Hybrid Wood protector every 6 to 12 months, depending on the level of exposure to the outdoor elements.

Clean as above with Rubio® Monocoat Exterior Soap. Rinse thoroughly until all the foam has disappeared.

Allow the surface to dry well (± 30 minutes at a temperature of 20 °C and proper ventilation).

Treat with the Rubio® Monocoat Hybrid Wood Protector in the same colour as your original application.

Apply the oil with a clean cloth. Allow a few minutes for the product to react. Remove any excess oil.

WARNING Cloths, saturated with oil, may spontaneously combust. Soak cloths in water after use before disposal.

4. DEKTON TABLE TOP CARE

Due to its practically zero porosity, the ultra-compact Dekton® surface is highly resistant to staining in day-to-day use and from chemical products, making it ideal for use as a table top for both inside and out.

For general cleaning, Cosentino recommends the use of Q-Action with a sponge or soft cloth. If this product is not available, the best option is to use a neutral soap (like Sunlight liquid) and water.

WARNING Do not mechanically polish the surface. Avoid using metal scouring pads. Whilst the table top material is incredibly durable, they can break when hit with heavy objects.

Limited Warranty

HALDANE MARTIN DESIGN (PTY) LTD (Seller) offers a limited warranty on products sold by the Seller to the purchaser (Purchaser), covering defects in material and workmanship for a period of 3 years from the date of invoice, subject to terms, conditions and limitations described below.

1. Products sold directly from the showroom floor, acquired on Sale, in customers' own materials and Prototypes are excluded from this Limited Warranty.
2. Only the customer who originally purchased a new product from the Seller or its' authorized dealers may make claims under the Limited Warranty. The Limited Warranty does not extend to any subsequent buyer or other transferee.
3. The Seller will repair or replace any product(s) determined by the Seller to be defective within the applicable Warranty Period. The seller has the right at its' sole discretion to grant a refund for the affected product and to inspect any product claimed defective before making a final determination of the claim.
4. SELLERS LIABILITY IS LIMITED to the repair or replacement of any product determined by the Seller to be defective in accordance with the terms of this warranty.
5. DISCLAIMER OF LOSS The Seller shall not be liable for lost profits, replacement rental costs, other costs of repair or replacement, or any consequential, special, indirect or incidental damages to anyone, anything or any place resulting from any defects in material or workmanship.
6. IMPROPER CARE AND USE Our furniture requires cleaning and maintenance as stipulated above. The Seller will not repair or replace the furniture that has been abused, neglected, exposed to extreme humidity (relative humidity over 90%), extreme temperature (below -5°C or above 40° C), alterations to the product or unauthorized repair. The Seller will also not cover damage that results from normal wear and tear from use or the general passing of time (for example scratches, burns, watermarks, indentations, pilling, fading or wrinkling of fabric).
7. DIFFERENCES IN COLOUR Minor variations of colour and grain of timber elements or fabric(s) might occur from piece to piece. These variations do not constitute a defect in material and/or workmanship under this Limited Warranty and minor differences between our furniture and illustrations or images are not covered by this Limited Warranty.



HALDANE

42 Roodebloem Road
Woodstock, Cape Town

www.haldane.co.za
info@haldane.co.za