

# FLOWER OF LIFE | FLOWER OF LIFE - 1000 - SUSPENDED | FOLC-1000-S



## DESCRIPTION

A suspended chandelier inspired by the sacred geometry known as the 'flower of life'. Made from lasercut stainless steel frames, chrome plated or lacquered, solid brass components and ballchain in several optional finishes. Illuminated by 19 surface mounted G9 Halogen or LED lamps.

## PRODUCT SIZE

SHADE SIZE: 1000W X 1175H MM / TOTAL HEIGHT: 2450MM

## PACKAGING DIMENSIONS

1140MM(W) X 1140MM(L) X 390MM(H)



## LAMP TYPE & NO

19 X G9-HALOGEN 18-40 WATT LAMPS (342-760W)  
OR LED

## CLASS I

IP RATING 20

QC RATING 21



## VOLTAGE RANGE

110 - 240V

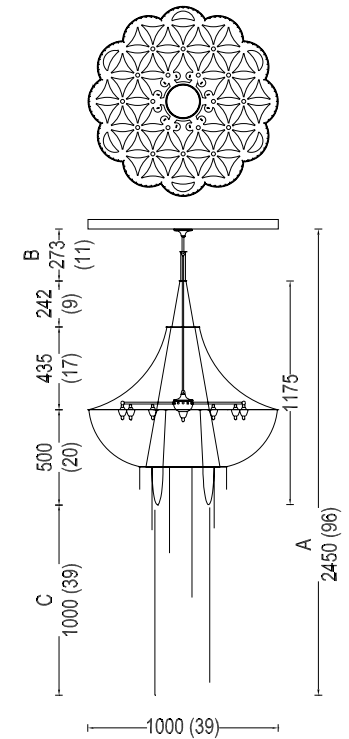
PRODUCT  
MARKS &  
RATINGS



WEIGHT 20KG

PACKED 34KG  
WEIGHT

## TECHNICAL DRAWING



## INTERACT

### SELECT COLOUR

- SILVER \*
- BRASS \*
- COPPER \*
- SMOKE \*
- MIXED METALIC \*
- RUST \*
- WHITE
- RED
- BLACK

\* METALLIC

### CUSTOMISE DIMENSIONS

A

B

C

### LAMP TYPE

QUANTITY

### ADDITIONAL COMMENTS

PRINT

EMAIL