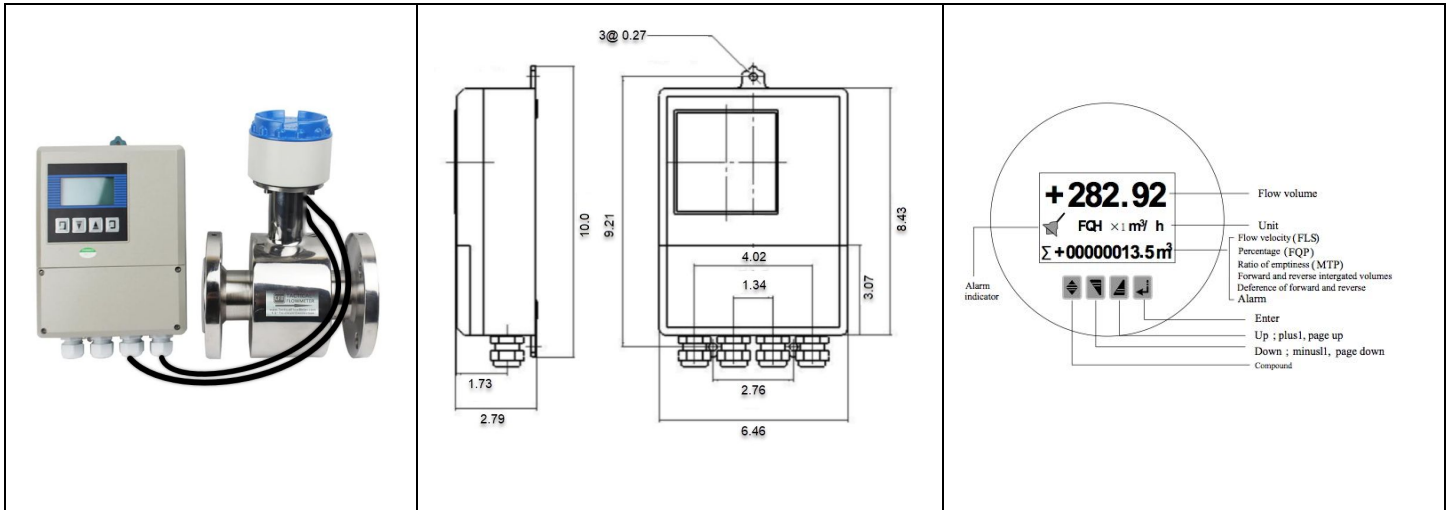


2" 304 SS ANSI 150# RFF Remote MAG meter CutSheet

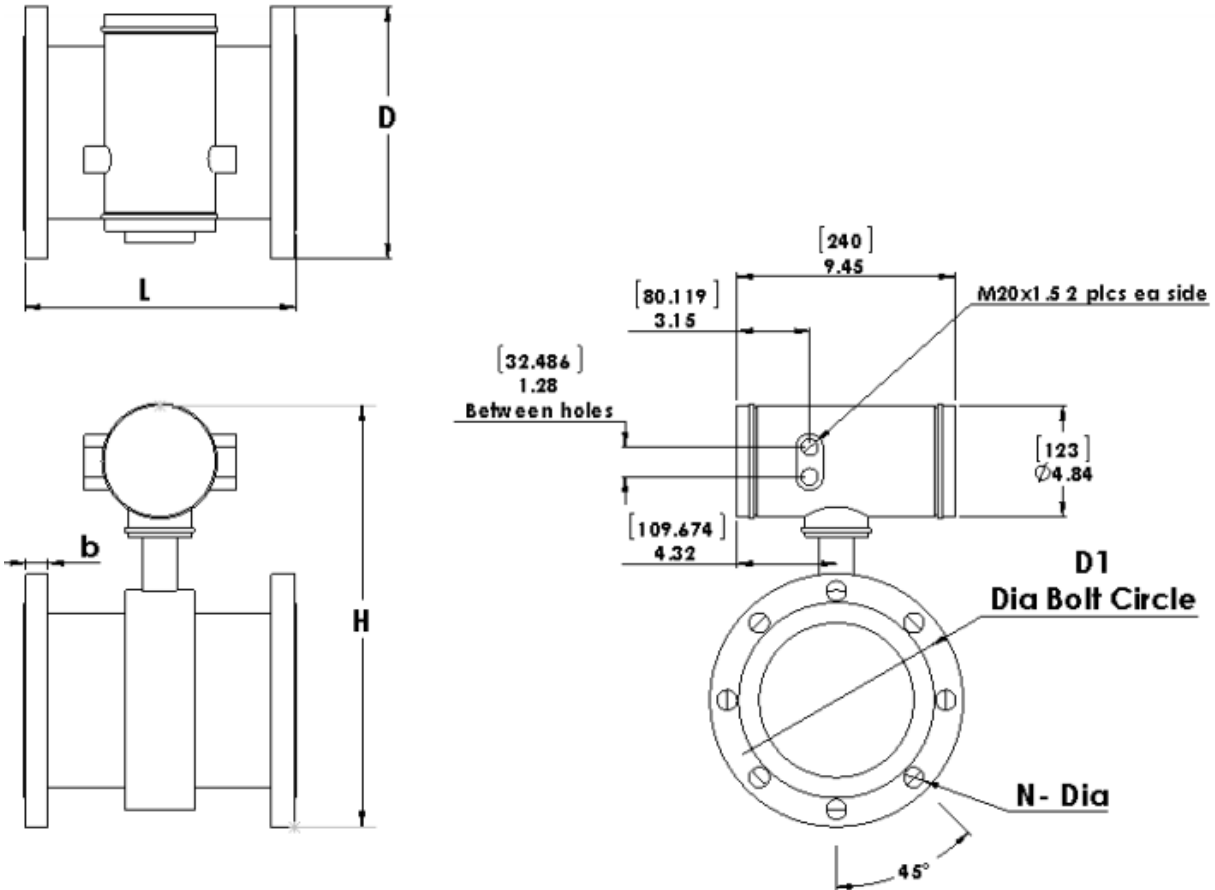


Specifications.

- Electrode Material: 316L SS
- Wetted Materials Teflon, 304 SS, & 316 SS
- Flow Body Material 304 SS
- Flow Velocity .01 - 15 m/s Nominal 0 - 3 m/s
- Water flow 0-466 GPM [0-113 m³/hr]
- Accuracy: +/- 0.5% of reading in water.
- Repeatability of +/- 0.15% of reading
- 2" 150# ANSI Flange Connections.
- REMOTE LCD Display, 25' Cable Standard.
- Temperature:
 - Gas: 14°F (-10°C) to 350°F (180°C)
 - Ambient: 14°F (-10°C) to 140°F (60°C)
- Power Requirement: 24 VDC 20 Watts maximum;
- Output signals: Modbus RTU, 4–20 mA; transmit up to 3000 feet
- 0-10 KHZ for flow rate indication
- Digital communications: Modbus RTU
- Proof Pressure 1.6 MPa, 230 PSIG.
- Display: Flow rate, Flow Rate 0-100%, and Total flow in remote enclosure.
- Wiring connection to enclosure size: M20 x 1.5
- Integral Electronics installation
- Electronics Enclosure: IP65
- Stainless steel electrodes in Teflon

2" 304 SS ANSI 150# RFF Remote MAG meter CutSheet

METER DIMENSIONS



ANSI Size	DN Size	GPM @ 10 m/s	L		b		N-Dia		N (# Bolts)	H		D	
			L (Pipe length)		C (flange thick)		Flange Bolt Dia			Meter height		Flange OD	
			inches	mm	inches	mm	inches	mm		inches	mm	inches	mm
2"	50	315	7.874	200	0.787	20	4.750	120.65	4@ 0.75"	13.189	335	6.496	165

Contact Info:

Tactical Flow Meter

22642 Indian Springs Road

Salinas, CA 93908

email: Dave.Korpi@TacticalFlowMeter.com

Phone: (831) 455-0418

Web: <https://www.tacticalflowmeter.com>