

6" ANSI RFF MAG meter Specifications

Specifications.

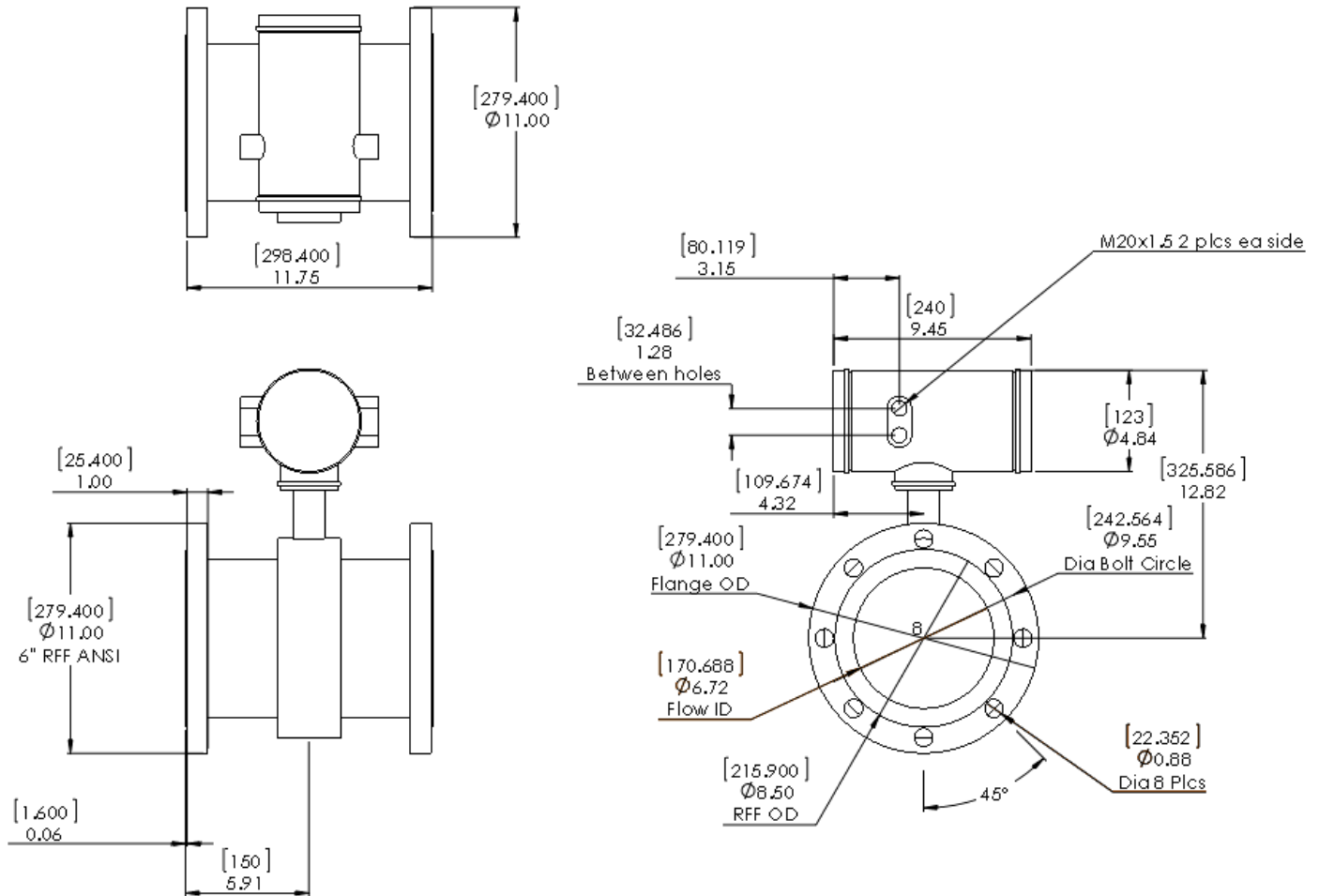
- Electrode Material: 316L SS
- Wetted Materials Teflon, 304 SS, & 316 SS
- Flow Body Material 304 SS
- Flows Velocity .01 - 15 m/s Nominal 0 - 3 m/s
- Water flow 0-500 GPM
- Accuracy: +/- 0.5% of reading in water.
- Repeatability of +/- 0.15% of reading
- 16" 150# ANSI Flange Connections.
- LCD Display
- Temperature:
 - Gas: 14°F (-10°C) to 350°F (180°C)
 - Ambient: 14°F (-10°C) to 140°F (60°C)
- Power Requirement: 24 VDC 20 Watts maximum;
- Output signals: Modbus RTU, 4–20 mA; transmit up to 3000 feet
- 0-10 KHz for flow rate indication
- Digital communications: Modbus RTU
- Proof Pressure 1.6 MPa, 230 PSIG.
- Display: Flow rate, Flow Rate 0-100%, and Total flow
- Wiring connection to enclosure size: M20 x 1.5
- Factory Final QC Test Certificate
- Integral Electronics installation
- Electronics Enclosure: IP65



Stainless steel electrodes in Teflon



6" ANSI RFF MAG meter Dimensions



Contact Info:

Tactical Flow Meter
 22642 Indian Springs Road
 Salinas, CA 93908
 email: Dave.Korpi@TacticalFlowMeter.com
 Phone: (831) 455-0418
 Web: <https://www.tacticalflowmeter.com>