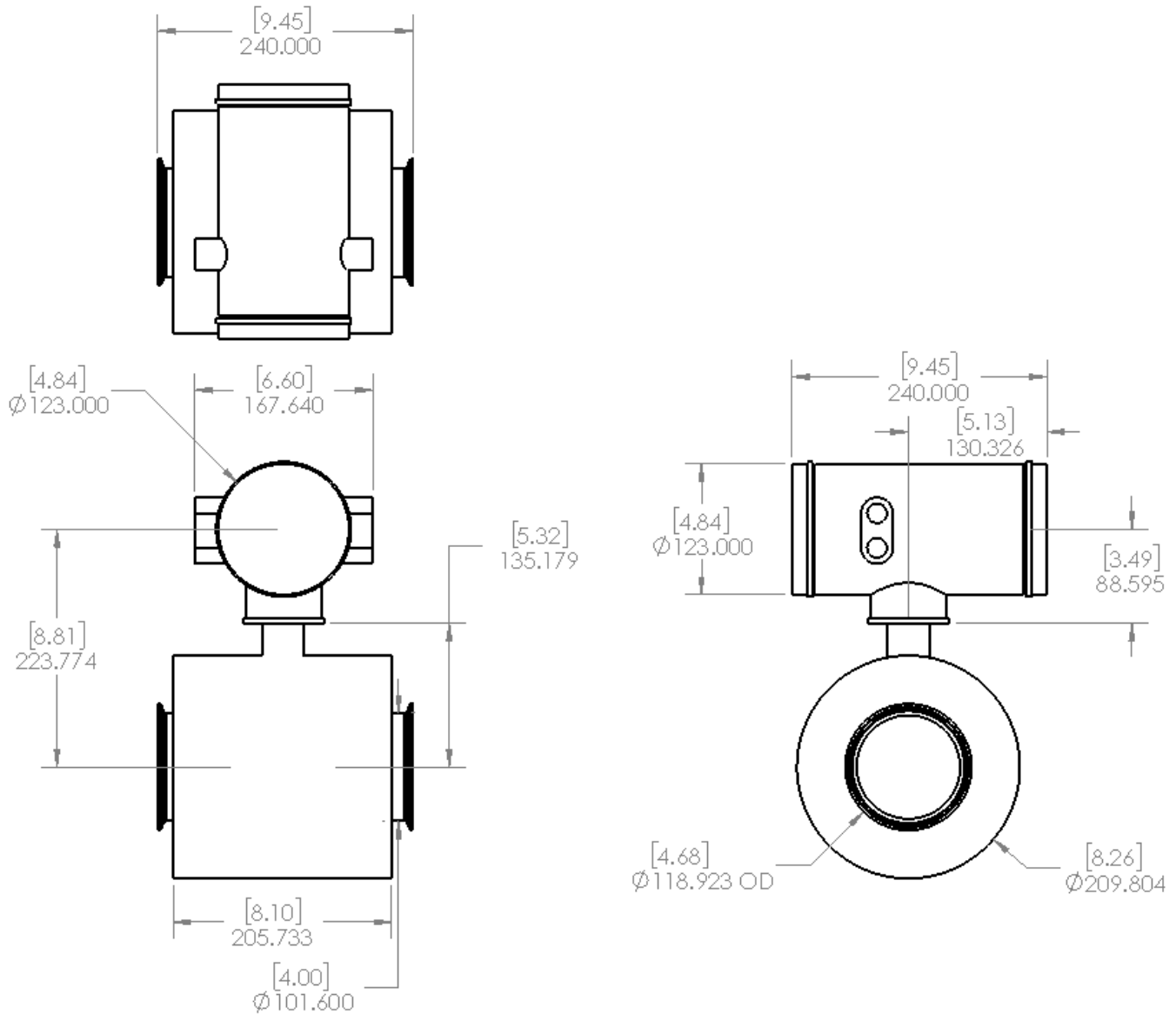


4" TriClover MAG meter Specifications/Dimensions

Specifications.

- Electrode Material: 316L SS
- Wetted Materials Teflon, 304 SS, & 316 SS
- Flow Body Material 304 Stainless Steel
- Flow Velocity .01 - 15 m/s Nominal 0 - 10 m/s Max 15 m/s
- Water flow 30-1000 GPM [7-227m³/hr] at 8 m/s up to....
- Water flow 30-1492 GPM [7-339m³/hr] at 12 m/s
- Accuracy: +/- 0.5% of reading in water.
- Repeatability of +/- 0.15% of reading
- 4" TriClover fitting Connections
- LCD Display
- Temperature:
 - Gas: 14°F (-10°C) to 350°F (180°C)
 - Ambient: 14°F (-10°C) to 140°F (60°C)
- Power Requirement: 24 VDC 20 Watts maximum;
- Output signals: Modbus RTU, 4–20 mA; transmit up to 3000 feet
- 0-10 KHz for flow rate indication
- Digital communications: Modbus RTU
- Proof Pressure 1.6 MPa, 230 PSIG.
- Display: Flow rate, Flow Rate 0-100%, and Total flow
- Wiring connection to enclosure size: M20 x 1.5 or ½" NPT
- Integral Electronics installation
- Electronics Enclosure: IP65
- Meter weight approx 45 pounds
- Shipping weight, approx 49 pounds

4" TriClover MAG meter Dimensions



Flow Range from 0.3 m/s to 12 m/s		Flow velocity in meters/second versus GPM in various Flow Meter Pipe Sizes (Note: 1 m/s = 196.85 f/m & 1 GPM = 0.227 m3/h)													
		0.3	0.5	1	2	3	4	5	6	7	8	9	10	11	12
		GPM	GPM	GPM	GPM	GPM	GPM	GPM	GPM	GPM	GPM	GPM	GPM	GPM	GPM
Size	3"	23.89	39.81	79.62	159.24	238.86	318.48	398.10	477.72	557.34	636.97	716.58	796.21	875.82	955.45
	4"	37.32	62.20	124.41	248.82	373.22	497.63	622.04	746.44	870.85	995.26	1119.66	1244.07	1368.48	1492.88
	5"	58.32	97.19	194.39	388.77	583.16	777.55	971.93	1166.32	1360.70	1555.09	1749.48	1943.86	2138.25	2332.63
	6"	83.97	139.96	279.91	559.83	839.75	1119.66	1399.58	1679.50	1959.41	2239.33	2519.24	2799.16	3079.08	3358.99