

3" ANSI RFF Carbon Steel MAG meter Specifications

Specifications.

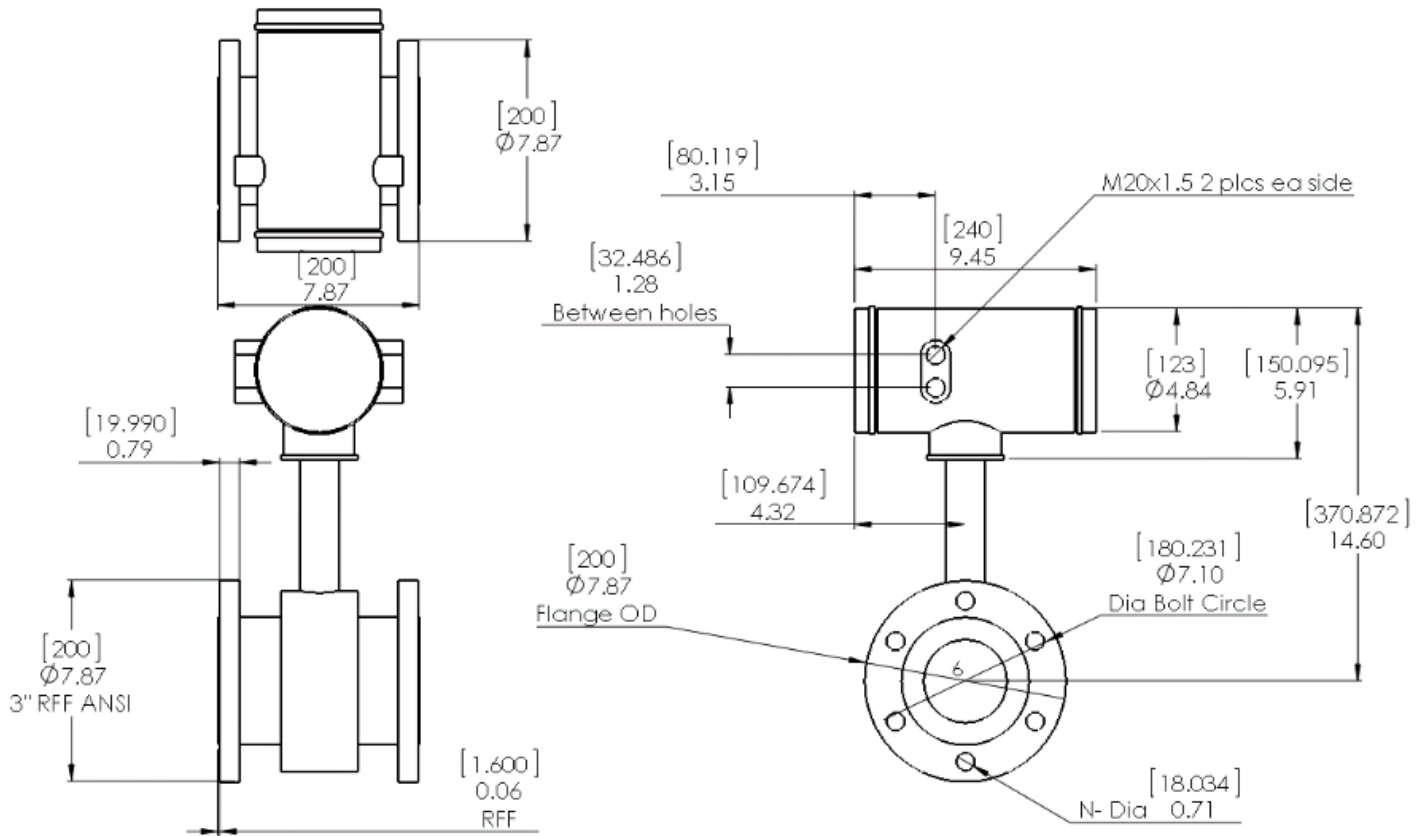
- Electrode Material: 316L SS
- Wetted Materials Teflon or Rubber, 304 SS, Carbon Steel, & 316 SS
- Flow Body Material Carbon Steel
- Flow Velocity .01 - 15 m/s Nominal 0 - 10 m/s
- Water flow 0-636 GPM [0-144m³/hr] at 8 m/s
- Accuracy: +/- 0.5% of reading in water.
- Repeatability of +/- 0.15% of reading
- 3" 150# ANSI Flange Connections.
- LCD Display
- Temperature:
 - Gas: 14°F (-10°C) to 350°F (180°C)
 - Ambient: 14°F (-10°C) to 140°F (60°C)
- Power Requirement: 24 VDC 20 Watts maximum;
- Output signals: Modbus RTU, 4–20 mA; transmit up to 3000 feet
- 0-10 KHz for flow rate indication
- Digital communications: Modbus RTU
- Proof Pressure 1.6 MPa, 230 PSIG.
- Display: Flow rate, Flow Rate 0-100%, and Total flow
- Wiring connection to enclosure size: M20 x 1.5
- Factory Final QC Test Certificate
- Integral Electronics installation
- Electronics Enclosure: IP65
- Meter weight approx 34 pounds
- Shipping weight, approx 45 pounds



Stainless steel electrodes in Teflon



3" ANSI RFF Carbon Steel MAG meter Dimensions



Flow range	Flow velocity (units: m/s)														
	1		4		8		10		12		14		15		
	m3/h	GPM	m3/h	GPM	m3/h	GPM	m3/h	GPM	m3/h	GPM	m3/h	GPM	m3/h	GPM	
Flow Body Size	3"	19.1	84.0	72.4	318.5	144.8	637.0	181.0	796.2	217.2	955.5	253.3	1114.7	271.4	1194.3

Contact Info:

Tactical Flow Meter

22642 Indian Springs Road

Salinas, CA 93908

email: Dave.Korpi@TacticalFlowMeter.com

Phone: (831) 455-0418

Web: <https://www.tacticalflowmeter.com>