

3" 300# ANSI RFF MAG meter Cut Sheet Specifications

Specifications.

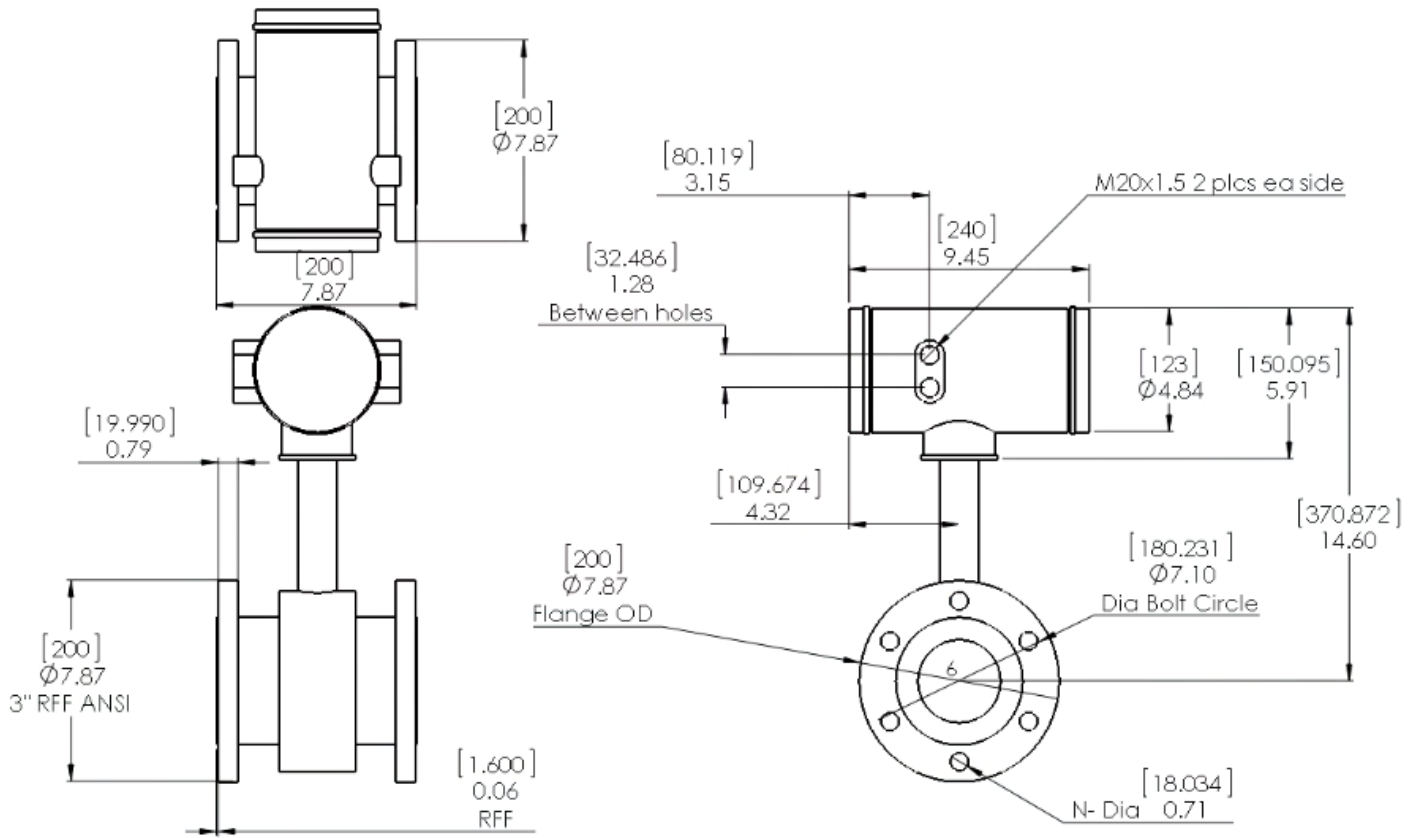
- Electrode Material: 316L SS
- Wetted Materials Teflon or Rubber, 304 SS, Carbon Steel, & 316 SS
- Flow Body Material Carbon Steel
- Flow Velocity .01 - 15 m/s Nominal 0 - 10 m/s
- Water flow 0-1194 GPM [0-271.4m³/hr] at 15 m/s
- Scale to any range below max above
- Accuracy: +/- 0.5% of reading in water.
- Repeatability of +/- 0.15% of reading
- 3" 300# ANSI Flange Connections.
- LCD Display
- Temperature:
 - Gas: 14°F (-10°C) to 350°F (180°C)
 - Ambient: 14°F (-10°C) to 140°F (60°C)
- Power Requirement: 24 VDC 20 Watts maximum;
- Output signals: Modbus RTU, 4–20 mA; transmit up to 3000 feet
- 0-10 KHz for flow rate indication
- Digital communications: Modbus RTU
- Proof Pressure 1.6 MPa, 230 PSIG.
- Display: Flow rate, Flow Rate 0-100%, and Total flow
- Wiring connection to enclosure size: M20 x 1.5
- Factory Final QC Test Certificate
- Integral Electronics installation
- Electronics Enclosure: IP65
- Meter weight approx 44 pounds
- Shipping weight, approx 54 pounds



Stainless steel electrodes in Teflon



3" 300# ANSI MAG meter Dimensions



ANSI Size	DN Size	GPM @ 10 m/s	L		b		N-Dia		N (# Bolts)	H		D	
			L (Pipe length)		C (flange thick)		Flange Bolt Dia			Meter height		Flange OD	
			inches	mm	inches	mm	inches	mm		inches	mm	inches	mm
3"	80	800	7.874	200	0.787	20	6.299	160	6@ 0.71"	14.567	370	7.874	200

Flow range	Flow velocity (units: m/s)														
	1		4		8		10		12		14		15		
	m3/h	GPM	m3/h	GPM	m3/h	GPM	m3/h	GPM	m3/h	GPM	m3/h	GPM	m3/h	GPM	
Flow Body Size	3"	19.1	84.0	72.4	318.5	144.8	637.0	181.0	796.2	217.2	955.5	253.3	1114.7	271.4	1194.3