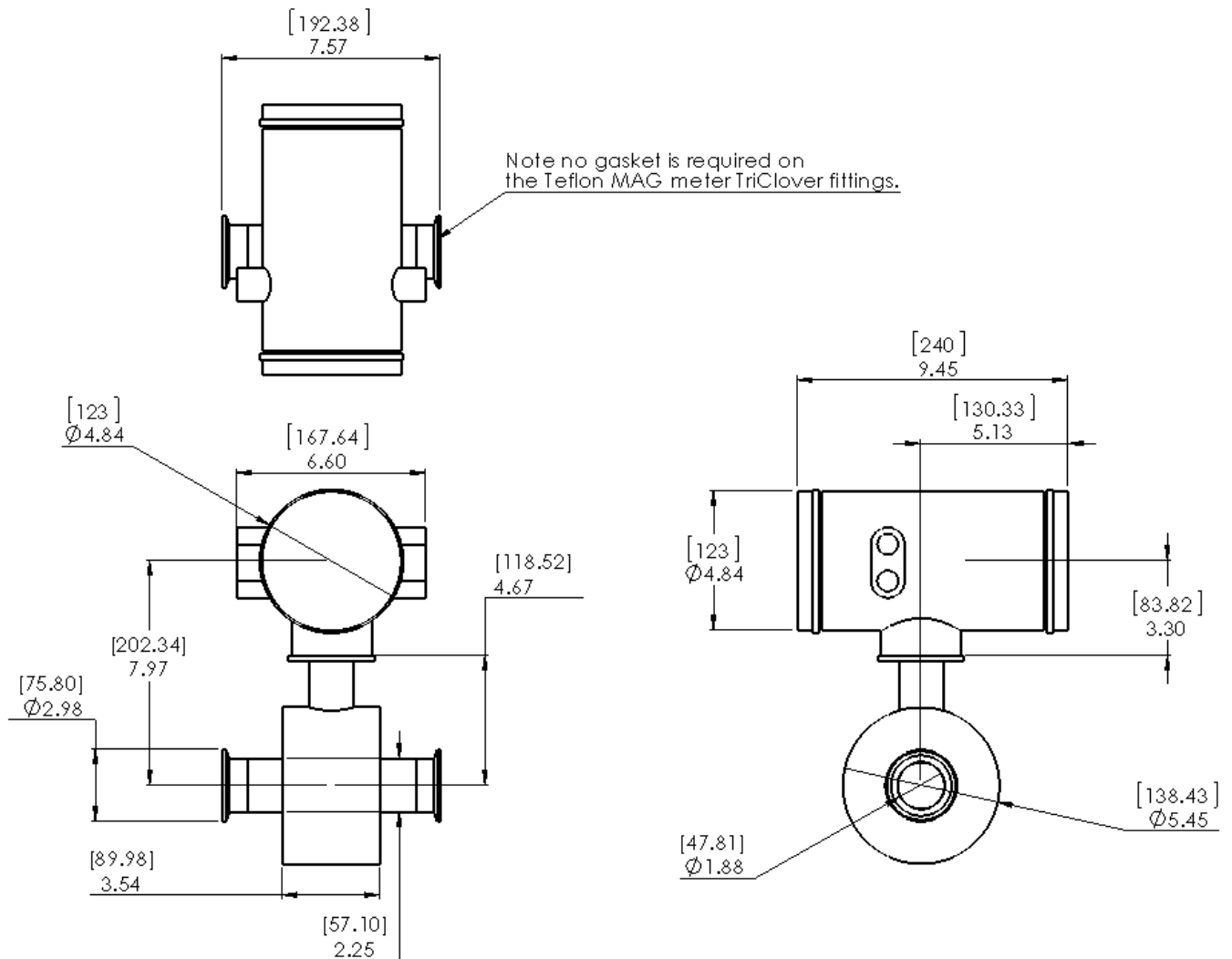


2" TriClover MAG meter Specifications/Dimensions

Specifications.

- Electrode Material: 316L SS
- Wetted Materials Teflon, 304 SS, & 316 SS
- Flow Body Material 304 Stainless Steel
- Flow Velocity .01 - 15 m/s Nominal 0 - 10 m/s Max 15 m/s
- Water flow 0-250 GPM [0-56m³/hr] at 8 m/s up to....
- Water flow 0-466 GPM [0-106m³/hr] at 15 m/s
- Accuracy: +/- 0.5% of reading in water.
- Repeatability of +/- 0.15% of reading
- 2" TriClover fitting Connections
- LCD Display
- Temperature:
 - Gas: 14°F (-10°C) to 350°F (180°C)
 - Ambient: 14°F (-10°C) to 140°F (60°C)
- Power Requirement: 24 VDC 20 Watts maximum;
- Output signals: Modbus RTU, 4–20 mA; transmit up to 3000 feet
- 0-10 KHz for flow rate indication
- Digital communications: Modbus RTU
- Proof Pressure 1.6 MPa, 230 PSIG.
- Display: Flow rate, Flow Rate 0-100%, and Total flow
- Wiring connection to enclosure size: M20 x 1.5
- Integral Electronics installation
- Electronics Enclosure: IP65
- Meter weight approx 24 pounds
- Shipping weight, approx 35 pounds

2" TriClover MAG meter Dimensions



Flow range		Flow velocity (units: m/s)															
		1		3		4		8		10		12		14		15	
Flow	Body Size	m3/h	GPM	m3/h	GPM	m3/h	GPM	m3/h	GPM	m3/h	GPM	m3/h	GPM	m3/h	GPM	m3/h	GPM
1½"	2"	4.5	19.9	13.57	59.71	18.1	79.6	36.2	159.2	45.2	199.1	54.3	238.9	63.3	278.7	67.9	298.6
2"	2½"	7.1	31.1	21.21	93.32	28.3	124.4	56.6	248.8	70.7	311.0	84.8	373.2	99.0	435.4	106.0	466.5
2½"	3"	12.0	52.6	35.84	157.70	47.8	210.2	95.6	420.5	119.5	525.6	143.4	630.7	167.2	735.9	179.2	788.4