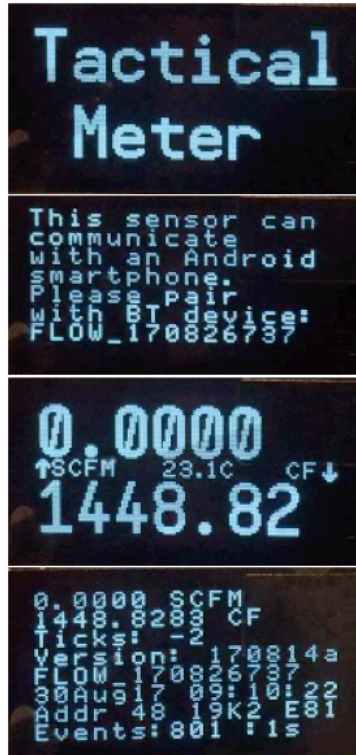




1" Tactical Flow Meter



OLED Display details



Sign On Screen. This screen only shows when the meter is powered on and is shown for 10 seconds during initialization of the meter

Second screen is shown for 10 seconds and shows the Bluetooth address to use for using the Android App or using a Bluetooth Connection.

Main Screen 1 shows the Flow Rate and the totalized flow as well as the flow temperature. The Units are given in the middle line. This screen can be adjusted to show from 1 second to 30 seconds and then roll to Main Screen 2.

Main Screen 2 shows the flow rate, the totalized flow, the Raw Sensor Ticks that range from -250 to 32,767 to provide a live zero. As well the Bluetooth Address is shown along with the ModBus specifications as well as the Datalog status.

Features:

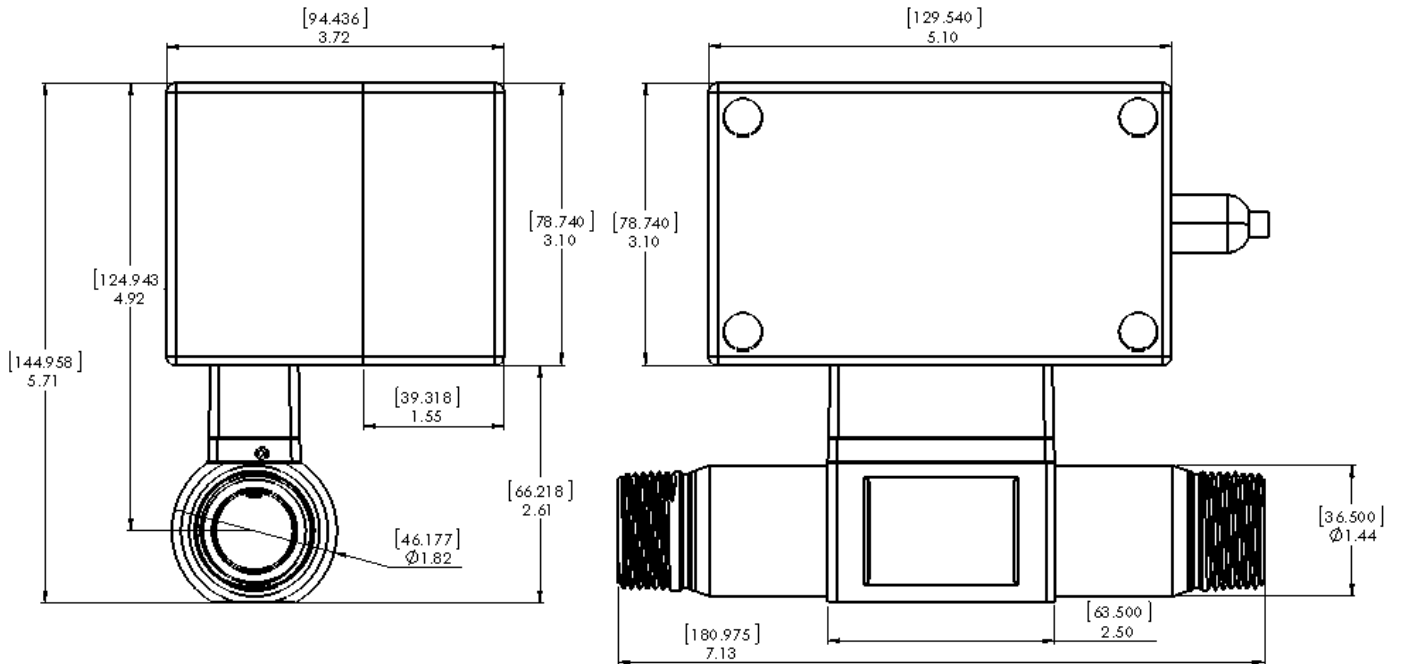
- Material: 316 SS, 6061 T6 Aluminum or Nylon 6/6
- Air Flow ranges 0- 10, 15, 20, and 0-25 SCFM
- Wetted Materials: Nylon 6/6, 6061T6 Aluminum, & 316 stainless-steel
- Accuracy: +/- 1% of reading plus +/-0.5% of full scale
- Repeatability of +/- 0.2% of full scale
- 1" MNPT Pipe size
- OLED Display
- Totalizer
- Measures any inert gas and any non-condensing clean gas
- Flammable gases: methane, propane, digester gas, natural gas
- IP66 Enclosure
- 100:1 turndown
- Temperature:
 - Gas: -40°F (-40°C) to 350°F (200°C)
 - Ambient: -40°F to 120°F (-40°C - 50°C)
- Adjustable Response time from .1 to 6 seconds to achieve 63% of final value
- Power Requirement: 18 to 30 VDC (regulated), 125 mA maximum;
- Output signals: Modbus RTU, USB-RS-232, 4–20 mA 0–5 VDC, and User definable pulse output or frequency for totalized or flow rate indication
- Digital communications solutions include: Modbus RTU, USB, Bluetooth
- Configuration Software
- Android Application for communication.
- 125 PSIG Max line pressure

Benefits:

- Only Thermal Mass Flow Meter with a BlueTooth user interface using a simple Android Application.
- Capillary like MEMS Platinum sensor elements protected with Silicon Nitride for corrosion resistance.
- Live zero system allows a validation to be run to assure original factory calibration is intact and unchanged.
- Easily setup the meter for the 0-5 VDC and the 4-20 mA output ZERO and SPAN
- User Configurable Pulse or Frequency output with simple configuration program.
- Only Five Upstream Pipe Diameters needed for accurate flow measurement
- Easy User Interface using a simple Android Application using BlueTooth to allow viewing meter up to 100' away.
- Simple In-Situ Validation for compliance verification.
- Easily configure the Flow Meter with the Tactical Flow Meter TacFlo™ software.
- Easily configure the Pulse Output to a 0-500 Hz or 0-1000 Hz output or configure for pulses per unit.

Tactical Flow Meter is a division of Take 5, Inc.
 Take 5 Inc. 405 Monterey Ave. Pacific Grove, CA 93950
 (831) 455-0418 e-mail: Dave@TacticalFlowMeter.com

Dimensional Drawings



Validation Results Screenshot

ValiTableShowValsResult.vi

Meter FS: 0.5 %FS: 1.0 %RDG:

Results of validation shown below:

Actual Value in Flow	Actual Value in mA	Indicated Value mA	%error mA	Pass/Fail mA	Indicated Value VDC	%error VDC	Pass/Fail VDC
0.000	4.000	4.012	0.10	PASS	0.007	0.00	PASS
2.075	8.000	8.010	0.06	PASS	1.260	0.40	PASS
4.150	12.000	11.901	-0.49	PASS	2.489	-0.29	PASS
6.225	16.000	15.990	-0.04	PASS	3.740	-0.20	PASS
8.300	20.000	20.002	0.01	PASS	4.980	-0.32	PASS