

WELCOME TO

HomeBase

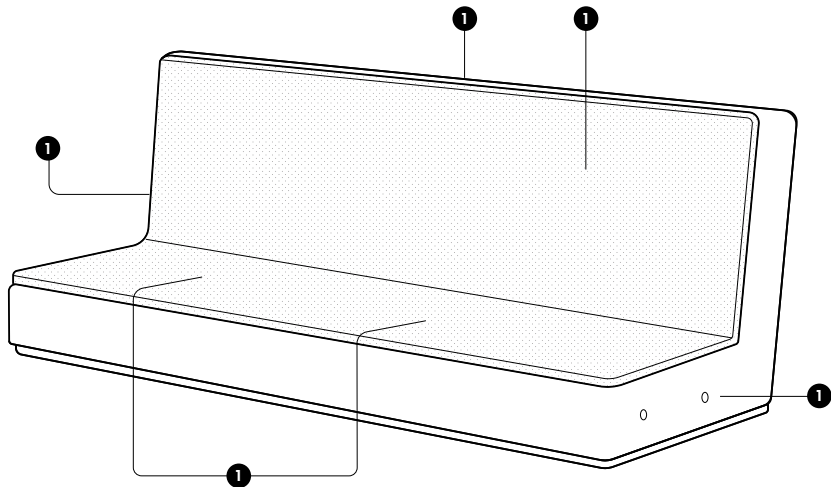


Index

Product Detail	1
Safety Instructions	2
Package Contents	3
Installation Guide	4
Setup Guide	5
Charging Detail	6
Specifications	7
Warranty	8
Important + FCC Warning	9



Product Detail

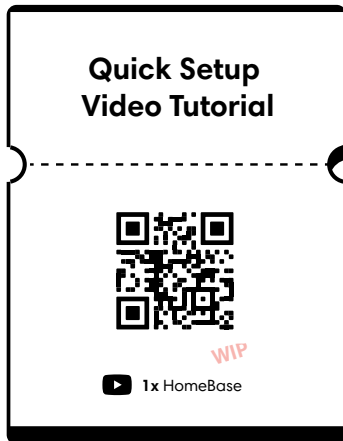


Compatible Phone Cases

HomeBase can charge your phone with cases up to 3 mm thick. Some phone cases accessories will interfere with wireless charging technology. These must be removed before charging (these include a metal cases).

- | | | | | | | | |
|----------|---------------------|----------|-----------------|----------|------------------|----------|------------------|
| 1 | LED Lights | 3 | 2 x 3 Coil Pads | 5 | Magneticv | 5 | Magneticv |
| 2 | USB-C Charging Port | 4 | AC Adapter | 6 | Acoustic Chamber | 6 | Acoustic Chamber |

Safety Instructions



IMPORTANT

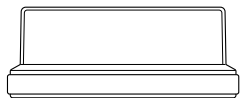
Read all instructions and warnings before using this product. Improper use may result in product damage, excess heat, toxic fumes, fire or explosion, for which damages Solgaard is not responsible.

1. In order to achieve the best charging effect, please place your device at the correct position to charge.
2. This charger is only suitable for indoor use, beware of rain and exposure.
3. Please use the original charger to charge or other adapter with output over 30W.
4. Avoid placing metal objects in the working area when charging, and do not let the charger drop off or put heavy objects on it.

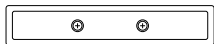
WIP

Install HomeBase according to instructions provided. We are not responsible for injury or damage resulting from incorrect installation or use. Our products are for use only as wall-mounted shelves and are not intended for any other purposes. For assistance with installation or missing parts, please contact us.

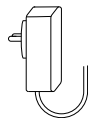
Package Contents



1x HomeBase



1x Wall Mount



1x Charger



3x International Adapters



2x Screws + Washers



1x Expansion Bolt

need ref image



1x Cable Tie



1x User Manual

Tools suggested for this installation

(not included)



Level



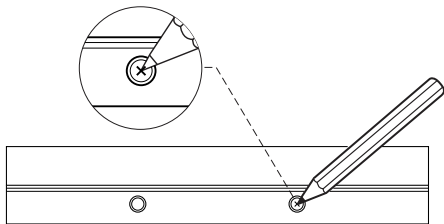
Power Drill / Screwdriver



Pencil

Installation Guide – Wall Mounting

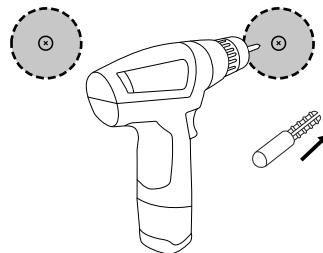
- 1 Choose the desired position to mount the Homebase to the wall and **make marks on the wall** through the **two oval holes** on the wall mount.



Tip: Use a pencil and level



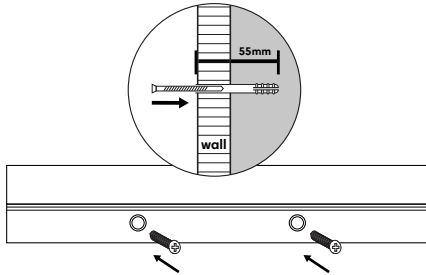
- 2 Using a power drill (Screwdriver?), drill holes into the wall at the pencil marks and insert the drywall anchors with a hammer until they are securely in place flush with the face of the wall.



Tip: Ensure the holes are level

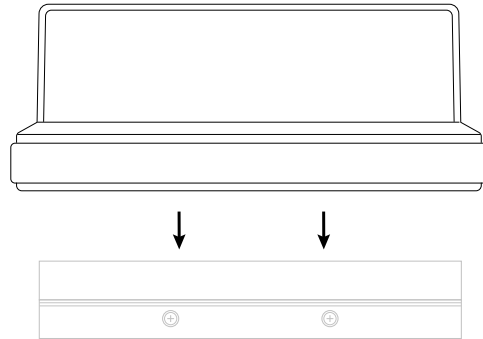
Wall Mounting Continued

- 3** Place the wall mount on the wall, then tighten the screws firmly into the pilot holes till they are flush.



Tip: Do not over-tighten screw. Improper tightening could reduce the holding power of wooden screw

- 4** Slide HomeBase into the wall mount from above until it hooks onto the back of the homebase ridge.



Setup Guide



Connect The Adapter

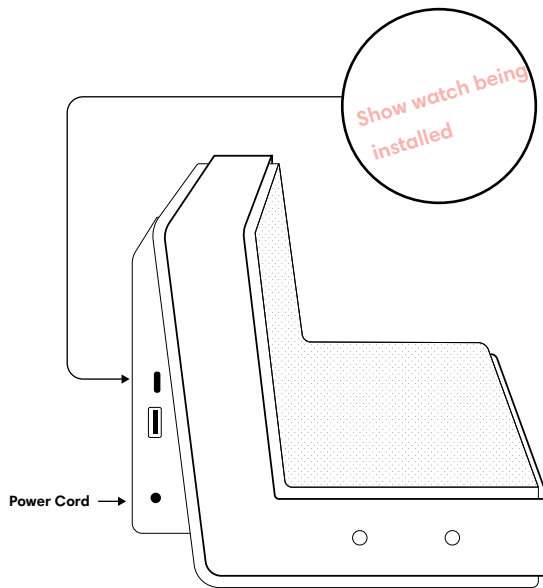
HomeBase comes with multi-national adapters. Select your adapter and attach to the underside of the plug and enter the plug into an electrical outlet. Plug the power cord into the side of your HomeBase.

Once power is connected, the two LEDs on the shelf will illuminate for several seconds. Once these turn off you are now ready to start charging.



Connecting The Apple Watch Puck

Mention here about storage of the cable and how to connect the puck to the top of the unit.



Setup Guide



Using The Key Magnets

Mention there are magnets on either side. Keep organised when returning home with the magnetic hook for keys and a home for your everyday tech.



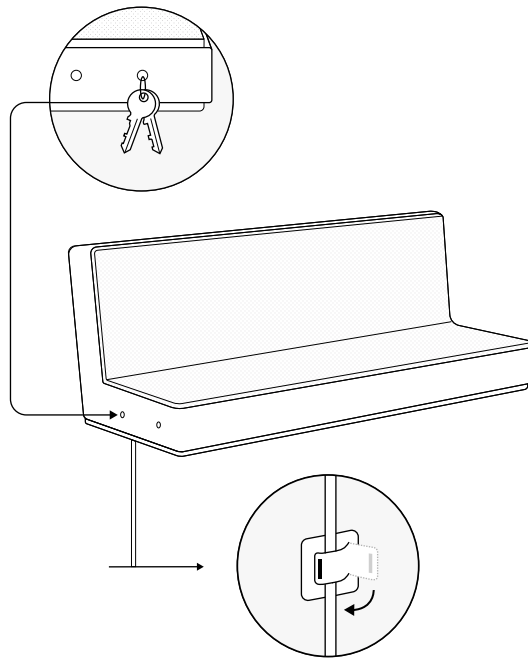
Using Solarbank / Speaker Grill

HomeBase includes a built-in amplifier - when the Solar Boombox plays into the shelf it amplifies the sound for an enriched audio experience.



Cable Ties

We designed homebase to eliminate the cable clutter, inside the box you can use the 3M adhesive cable ties to organise and cleanly run the cord down the wall.

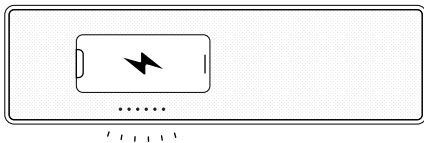


Charging Wirelessly



HomeBase can power up to four devices at once. Two wirelessly and two wired. To charge wirelessly, simply place your device flat on the fabric and it will begin charging.

Homebase is equipped with 6 premium copper coils for maximum charging. These are separated into sets of two on either side of the shelf. LEDs indicate the charging state.



LEDs Breathing

The indicator light will be a breathing, white light when charging is initiated.

LEDs Solid

Indicator light will be solid white when fully charged.

Compatible Device	Wattage
Samsung	10W
iPhone	7.5W
Google / Huawei / Other	5W
Airpods	2.5W
Apple Watch (wired)	2.5W

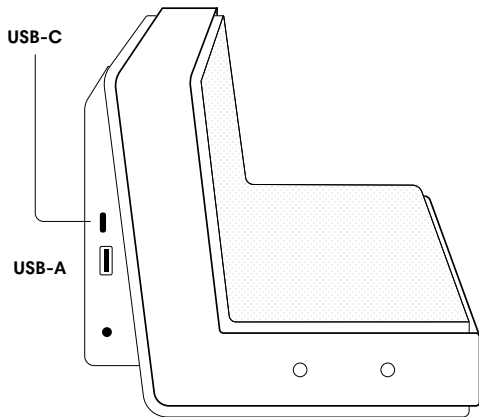
Charging Orientation

Wireless Charging works on any rotation.

Charging Wired



HomeBase is equipped with fast charging for when you need accelerated power in times of need. This is accessible on most modern smartphones but require specific cables in order to function (usually USB-C to your device port). If a standard cable is used Homebase will use 2.4A output.



Device	Technology
USB-A	Quick Charge 3.0
USB-C	Power Delivery 3.0

HomeBase has intelligent matching current for fast charging and wireless charging. You do not need to configure any settings.

Getting your phone to full battery wirelessly is faster than ever.

Specifications

subject to change without notice

Rated Input Voltage	5V~9V
Rated Input Current	3A DC 5V/1A DC 9V/1.1A
Transmission Distance	≤ 8mm
Transfer Efficiency	75% Max
Operating Temperature	-10 C ~30 C
Storage Temperature	-20 C ~60 C
Working Frequency	110KHz~205KHz
WARNING	

WIP

Suggested Load Capacity

Be sure that you do not exceed the maximum weight of the Homebase (3kg). Any damage to devices are not covered under warranty due to max volume.

Warranty

The HomeBase is warranted for 12 months from the date of purchase. The HomeBase is warranted to be free defects in materials and function under regular use for the lifetime of the product. A defect is defined as an imperfection or flaw that is produced by a manufacturing error, including malfunction of wireless charging or surface defect, etc.

This warranty is non-transferable and covers only the original end-user purchaser. Solgaard will only authorize the warranty claim if the product was purchased from the official store or authorized dealer.

MODIFICATION: Any change or modification of this device will void the warranty

Exclusion

Damages dont cover those resulting from abuse, not correctly maintained, alteration or misuse (including disassemble, drops), abnormal wear and tear, cosmetic damages that do not affect the functionality.



Caution

FCC WARNING

This equipment generates, uses and can radiate radio frequency energy and, if not installed and used in accordance with the instructions, may cause harmful interference to radio communications. However, there is no guarantee that interference will not occur in particular installation. If this equipment does cause harmful interference to radio or television reception, which can be determined by turning the equipment off and on, the user is encouraged to try to correct the interference by one or more of the following measures:

- Reorient or relocate the receiving antenna.
- Increase the separation between the equipment and receiver.
- Connect the equipment into an outlet on a circuit different from that to which the receiver is connected.
- Consult the dealer or an experienced radio/TV technician for help.

The device has been evaluated to meet general RF exposure requirement.

To maintain compliance with FCC's RF exposure guidelines, this equipment should be installed and operated with a minimum distance of 20cm between the radiator and your body.

WARNING

If none of the above is working, press and hold the reset button inside the AUX hole for 3 seconds. You will need to tell your phone to 'forget this device' in order to re-establish a connection between your device and your Solarbank.



The device has been evaluated to meet the general RF exposure requirement.

FCC ID: XXXXXX-XXXX

WIP

Thank you for choosing Solgaard.

**Share your pictures with us
@solgaard #homebase**

Find out more information at www.solgaard.co

Have any further questions? Please contact the Solgaard Customer Support Team by emailing support@solgaard.co



**Reduce Plastic
Pollution.
Save our oceans.**