

# Simple System

**BOSS**  
Office Products  
A NORSTAR Company



[www.bosschair.com](http://www.bosschair.com)



# Simple System

## Contents

1

Popular groups

2

Details

3

Strengths & Features

4

Easy Installation

# Simple System



Designed simple and efficient workspaces with the Simple System, this furniture is constructed with durable driftwood laminate work surfaces and Silver powder-coated frames that will brighten in the office.

Desks are offered in L-shaped, standing and even workstation designs to fit any workspace.



Paired with matching storage options to create unique configurations, and rest EASY your files and belongings are secure with lockable options , Adjustable levelers keep your Simple products stable on every surfaces.

Add silver metal optional modesty panel or frosted plexi divider for additional privacy.

Create Collaborative and private workspaces with Simple system.

Popular Groups

# Simple System

**BOSS**  
Office Products  
A NORSTAR Company



# Simple System

Popular Groups

**BOSS**  
Office Products  
A NORSTAR Company



# Simple System

Popular Groups

**BOSS**  
Office Products  
A NORSTAR Company



# Simple System

Popular Groups

**BOSS**  
Office Products  
A NORSTAR Company



# Simple System

Popular Groups

**BOSS**  
Office Products  
A NORSTAR Company





# Simple System

Popular Groups

**BOSS**  
Office Products  
A NORSTAR Company



# Simple System

Details

**BOSS**  
Office Products  
A NORSTAR Company



Driftwood finish



Frame & leg



Modesty panel

# Simple System

Details

**BOSS**  
Office Products  
A NORSTAR Company



Plexi panel



Warm white laminate



Silver grommet

# Simple System

Details

**BOSS**  
Office Products  
A NORSTAR Company



Side leg(one way)



Side leg(double)



Middle leg & Frame



Middle leg & frame

# Simple System

Details

**BOSS**  
Office Products  
A NORSTAR Company



48" Frame Bar



60" Frame Bar



66" Frame Bar



71" Frame Bar

# Simple System

Details

**BOSS**  
Office Products  
A NORSTAR Company



Support bar



Side panel

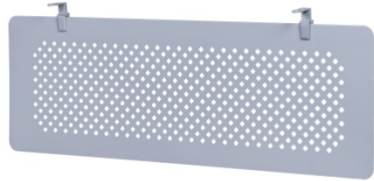


Front panel

# Simple System

Details

**BOSS**  
Office Products



Modesty panel



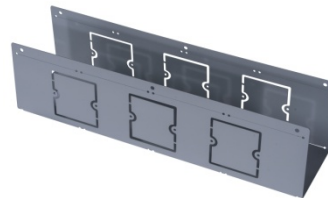
Short leg



Bracket



Return



Wire management



Desk top

# Simple System

Details

**BOSS**  
Office Products  
A NORSTAR Company



36" \* 36"



Frame & leg



95" \* 47"



142" \* 47"



# Simple System

Details

**BOSS**  
Office Products  
A NORSTAR Company



Side cabinet



Bookcase



Hanging BF



BBF

# Simple System



● Low inventory(8 skus)






















● Diversity Groups

● Easy to install



24" Desk Components	BOSS Model#	DESCRIPTION	SIZE - W*D*H(IN)	2017 List Price
	S101	Desk top w/ 1 center, rectangular grommet	59*23.6*1	\$110
	S102	Desk top w/ 1 center, rectangular grommet	66*23.6*1	\$120
	S110	Desk top w/ 1 center, round grommet	47.25 X 23.6 X 1	\$90
	S103	Side leg & frame set for S101, S102 & S110	23.6*8.3*28.5	\$115
	S104	Middle leg & frame set for S101, S102 & S110	23.6*16.5*28.5	\$170
	S105	3 leg for S101, S102 & S110 (face to face)	23.6*16.5*28.5	\$175
	S106 (2pack/lot)	60" Metal frame bar for use with S101 or S201	45.6*1.2*1.2	\$70
	S107 (2pack/lot)	66" Metal frame bar for use with S102 or S202	52.67*1.2*1.2	\$75
	S111 (2pack/lot)	48" Metal frame bar for use with S110	33.75 X 1.2 X 1.2	\$65
	S109	Middle leg & frame set for S101 or S102 to use with S501 cabinet	56-68*1.2*1.2	\$160
30" Desk Components	BOSS Model#	DESCRIPTION	SIZE - W*D*H(IN)	2017 List Price
	S201	Desk top w/ square grommet	59*29.5*1	\$150
	S202	Desk top w/ square grommet	66*29.5*1	\$160
	S203	Desk top w/ square grommet	70.8*29.5*1	\$165
	S204	Side leg & frame set for S201, S202 or S103	29.5*8.3*28.5	\$115
	S106 (2pack/lot)	60" Metal frame bar for use with S101 or S201	45.6*1.2*1.2	\$70
	S107 (2pack/lot)	66" Metal frame bar for use with S102 or S202	52.67*1.2*1.2	\$75
	S108 (2pack/lot)	71" Metal frame bar for use with S203	57.4*1.2*1.2	\$75
	S205	Hanging support bar holds S503 hanging ped on S201, S202 & 203 (length adjustable - 56"-68"-71")	56-68*1.2*1.2	\$35
	S206	Short leg for use with S103, S104, S105 & S204	2 * 1.2 * 5.5	\$10
	S207	Clamp used for ganging table frames together. Fits over 2 frame bars or 2 leg bars.	2.6 *1.4*1.2	\$2

Contact your sales rep or our office staff regarding configuration options.

Privacy/Modesty Panels	BOSS Model#	DESCRIPTION	SIZE - W"D"H(IN)	2017 List Price
	5301	Top mounted privacy panel Frosted Plexiglass Requires (2) 5307 for Installation	22"16"0.2	\$120
	5302	Top mounted privacy panel Frosted Plexiglass Requires (2) 5307 for Installation	56"16"0.2	\$220
	5303	Top mounted privacy panel Frosted Plexiglass Requires (2) 5307 for Installation	45"16"0.2	\$210
	5304	Modesty panel Metal	48"18"0.2	\$110
	5305	Modesty panel Metal	56"18"0.2	\$125
	5307	Mounting Bracket for use with 5301 & 5302	1.6"1.3"2.4	\$10
Conference Tables	BOSS Model#	DESCRIPTION	SIZE - W"D"H(IN)	2017 List Price
	5401	Conference table	36"36"29.5	\$350
	5402	Conference table (3 cartons)	95"47"29.5	\$1,140
	5403	Conference table (4 cartons)	142"47"29.5	\$1,680
Cabinets/Storage /Other	BOSS Model#	DESCRIPTION	SIZE - W"D"H(IN)	2017 List Price
	5501	Side cabinet reversible (2 cartons)	48"20"21	\$810
	5502	Credenza (2 cartons)	71"19.5"29.5	\$575
	5503	Hanging B/F Pedestal (Requires 5208 for assembly under 30" desk tops. Also can be used with 5651)	15.5"22.5"19	\$250
	5504	Mobile B/B/F Pedestal with casters	15.5"22"26.6	\$310
	5505	Wardrobe	16"21"51	\$295
	5506	Storage cabinet (2 cartons)	48"18"43	\$525
	5507	Bookcase (2 cartons)	35.4"11.5"71	\$345
	5508-GV	Cushion for use with 5501	23"19"2.25	\$35
	5601	Return with top w/ square gronomat	35.4"22.5"28.5	\$205
	5602	Return Top sold separately - Item 5110	47.2"22"28.5	\$195
	5701	Wire box (for wire management)	14"7.5"4.5	\$20
	501-3R	Electrical Outlet for 3" gronomat hole	3.5"3.2" Diameter	\$75

Contact your sales rep or our office staff regarding configuration options.

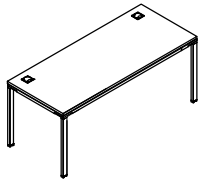


Figure 1

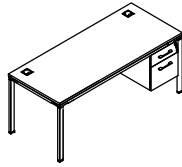


Figure 2

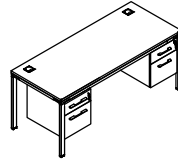


Figure 3

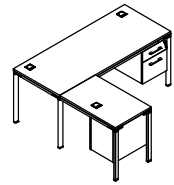


Figure 4

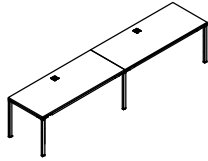


Figure 5

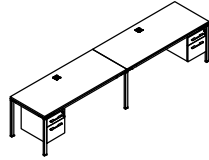


Figure 6

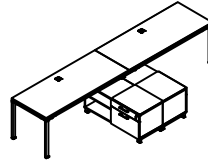


Figure 7

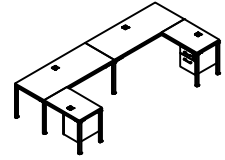


Figure 8

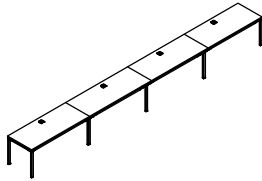


Figure 9

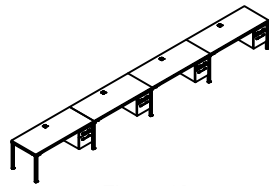


Figure 10

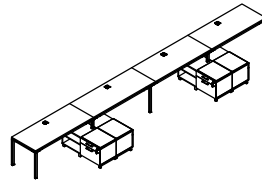


Figure 11

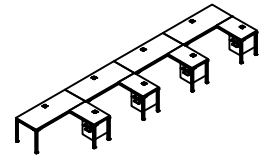


Figure 12

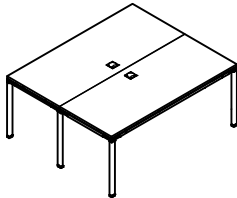


Figure 13

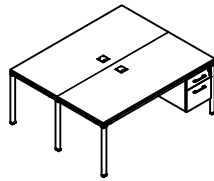


Figure 14

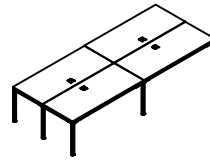


Figure 15

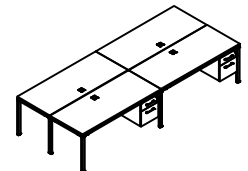


Figure 16

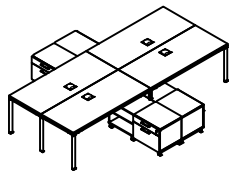


Figure 17

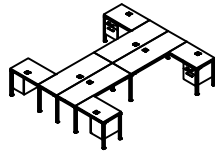


Figure 18

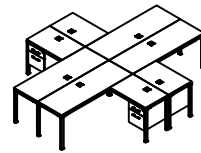


Figure 19

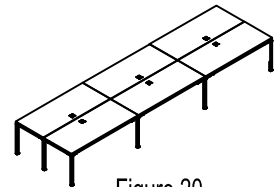


Figure 20

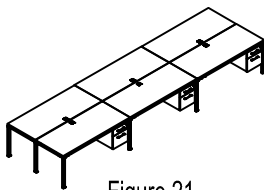


Figure 21

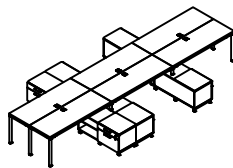


Figure 22

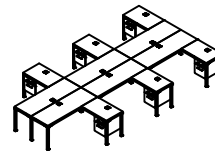


Figure 23

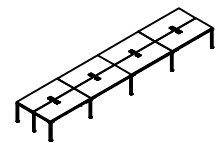


Figure 24

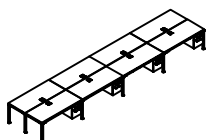


Figure 25

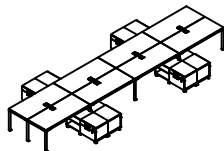


Figure 26

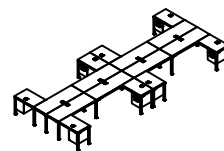


Figure 27

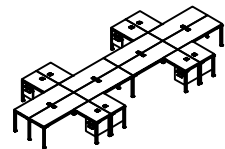


Figure 28

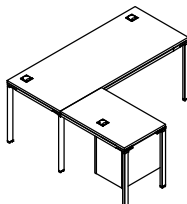


Figure 29

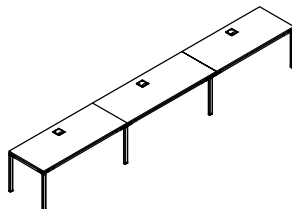
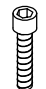






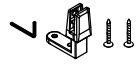
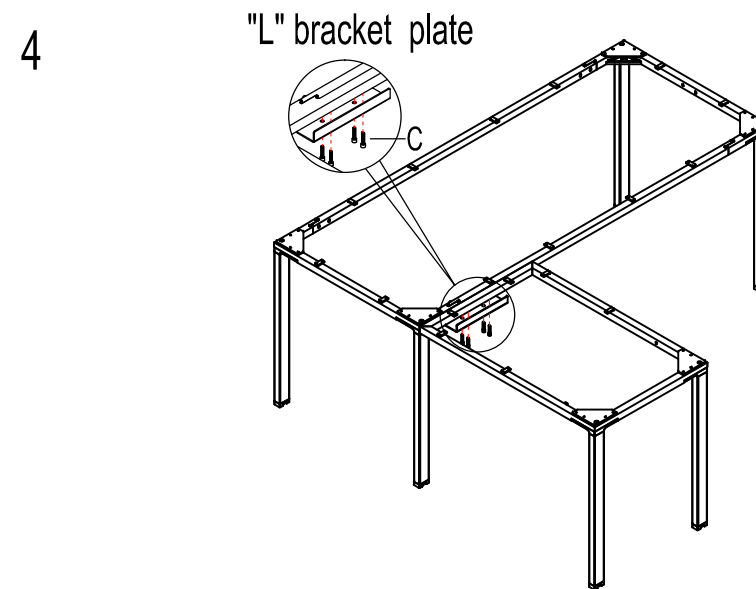
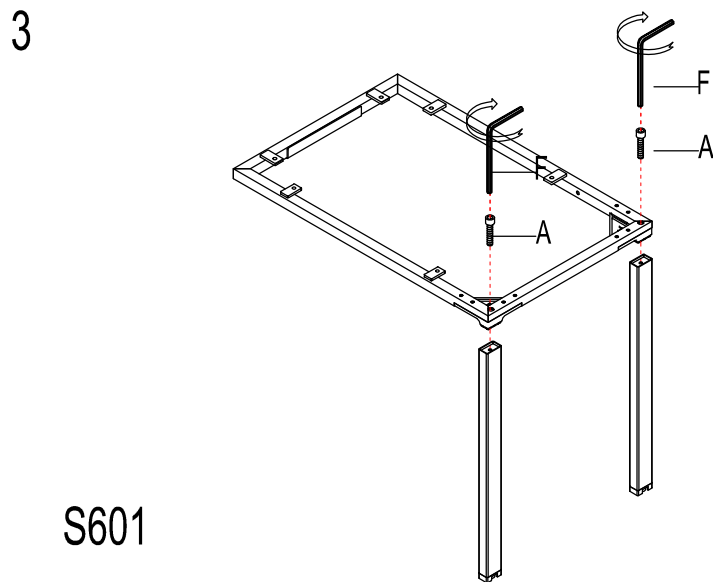
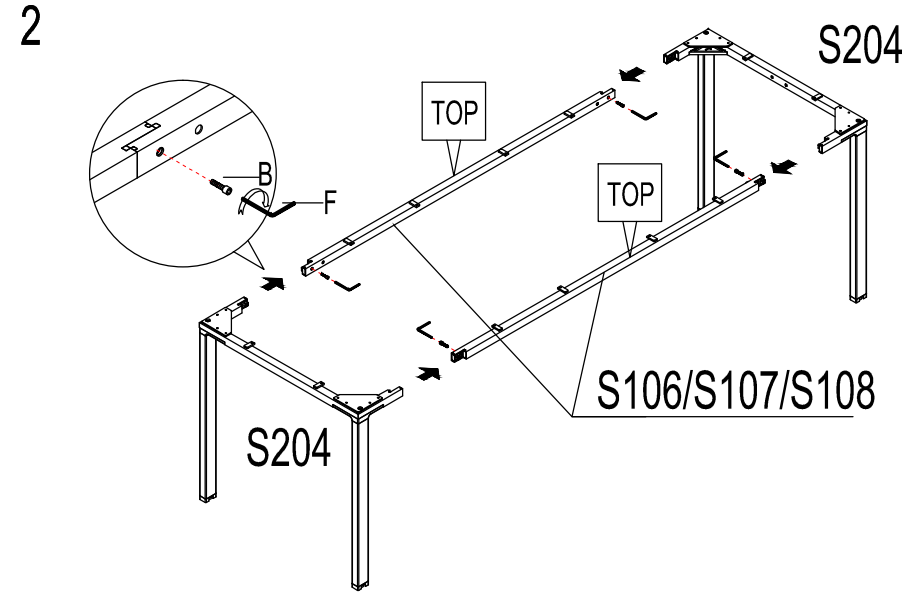
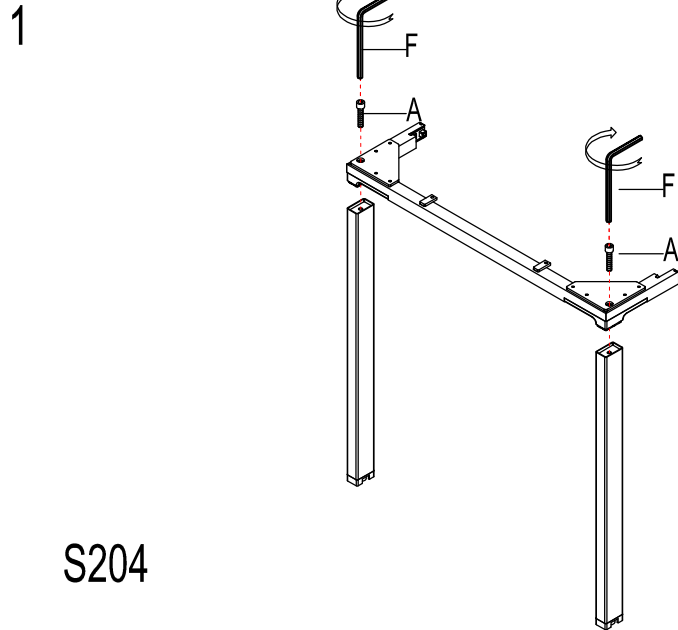


Figure 30

# Assembly Instructions

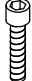






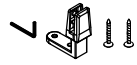
## A : L-shape manager desk with Ped & Return(30 "Desk)

<b>A</b>  M8*35 6PCS	<b>B</b>  M8*12 4PCS	<b>C</b>  M8*20 8PCS	<b>D</b>  2SET	<b>E</b>  12PCS	<b>F</b>  1PCS	<b>G</b>  3PCS	<b>H</b>  2SET
--	--	--	--	--	---	---	---

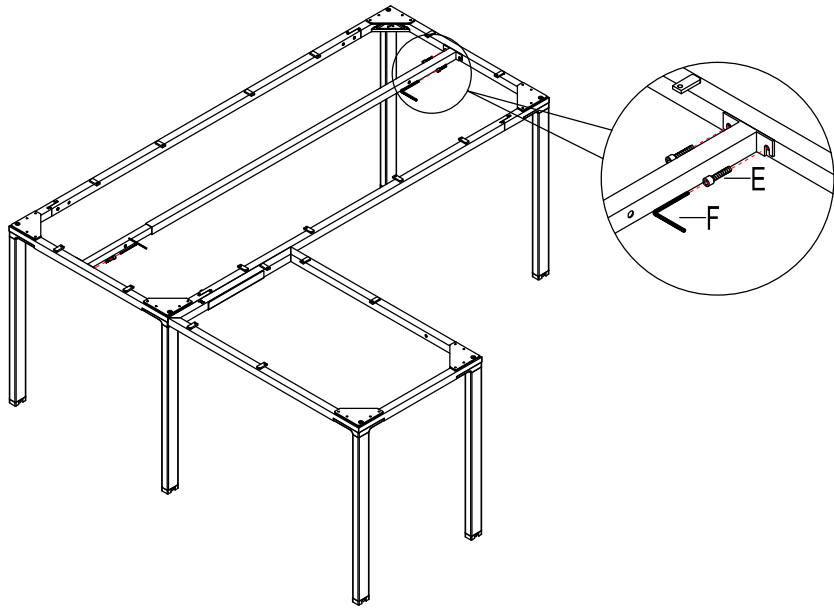


# Assembly Instructions

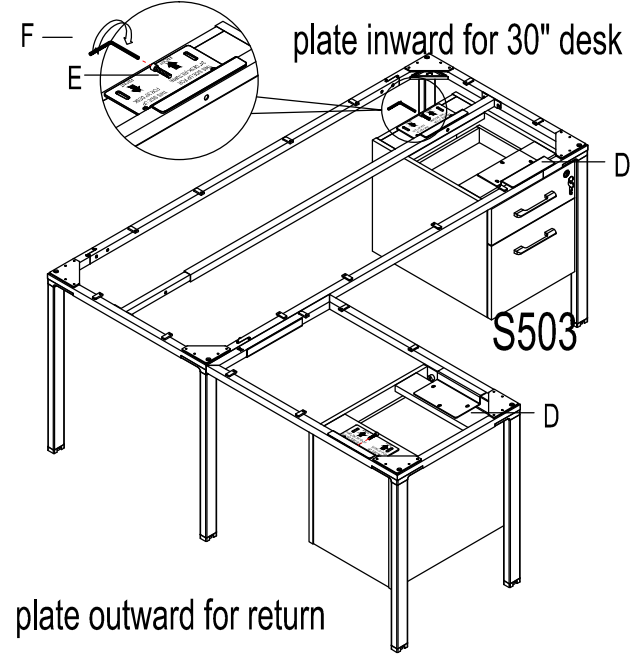
## A : L-shape manager desk with Ped & Return(30 "Desk)

<b>A</b>  M8*35 6PCS	<b>B</b>  M8*12 4PCS	<b>C</b>  M8*20 8PCS	<b>D</b>  2SET	<b>E</b>  12PCS	<b>F</b>  1PCS	<b>G</b>  3PCS	<b>H</b>  2SET
--	--	--	--	--	---	---	---

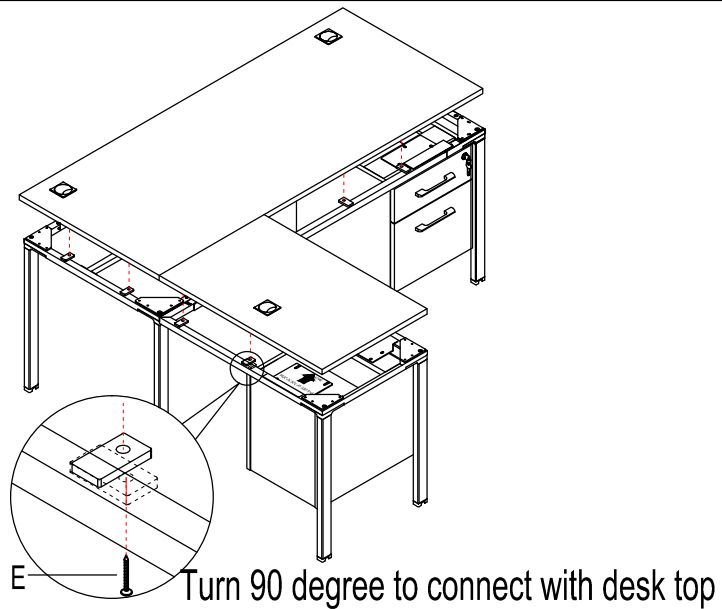
5



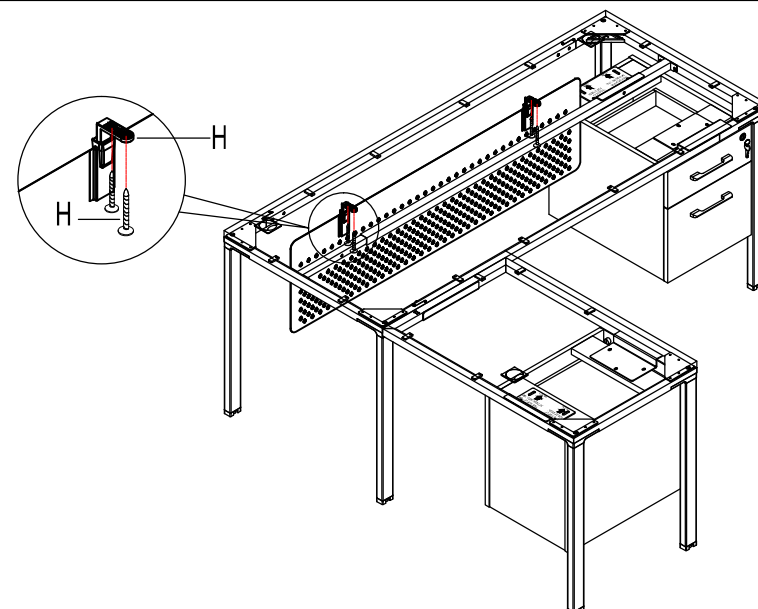
6



7

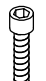










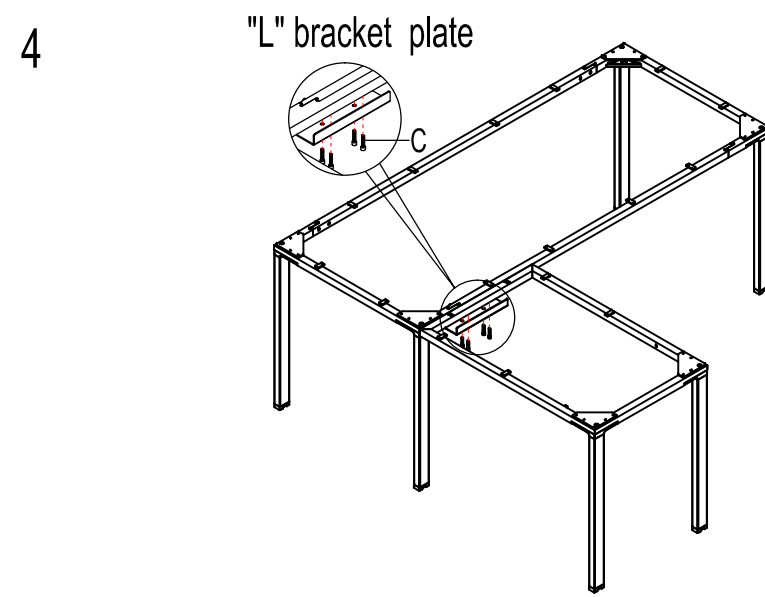
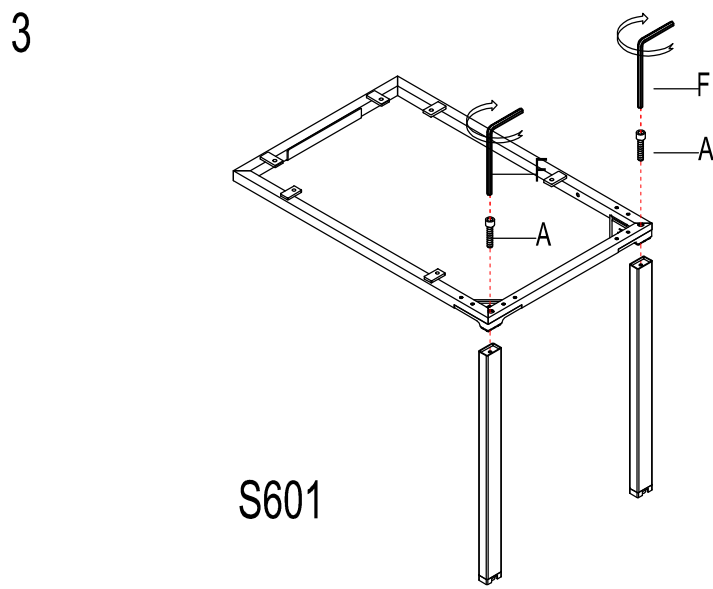
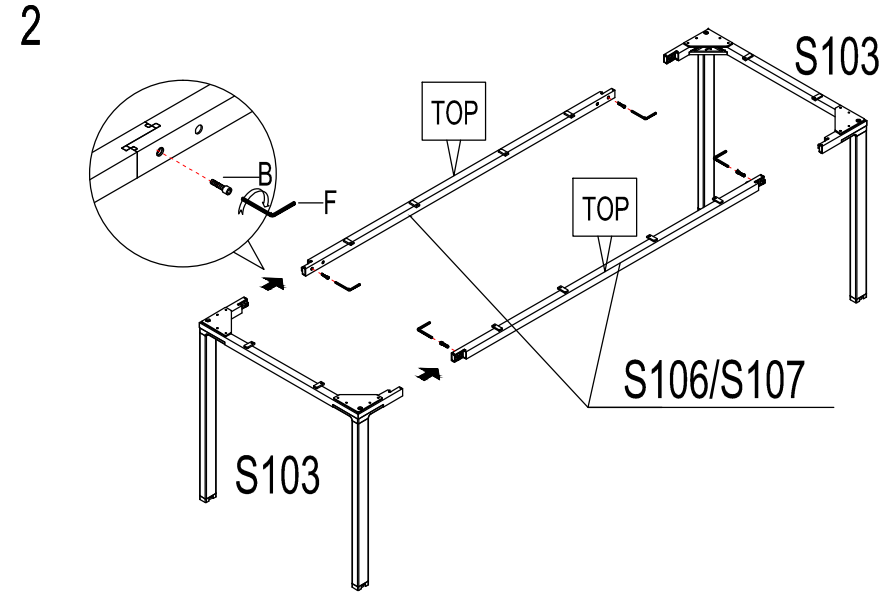
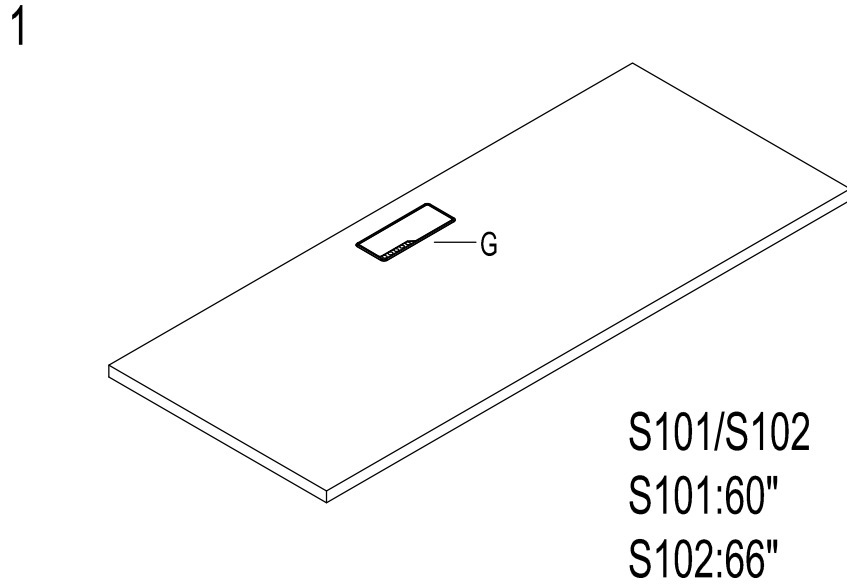
8



# Assembly Instructions

## A : L-shape manager desk with Ped & Return(24 "Desk)

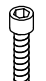








<b>A</b>  M8*35 6PCS	<b>B</b>  M8*12 4PCS	<b>C</b>  M8*20 8PCS	<b>D</b>  2SET	<b>E</b>  12PCS	<b>F</b>  1PCS	<b>G</b>  1PCS	<b>H</b>  2SET	<b>A1</b>  1PCS
--	--	--	--	--	---	---	---	--





# Assembly Instructions

## A : L-shape manager desk with Ped & Return(24 "Desk)

A	B	C	D	E	F	G	H	A1
 M8*35 6PCS	 M8*12 4PCS	 M8*20 8PCS	 2SET	 12PCS	 1PCS	 1PCS	 2SET	 1PCS

5 plate inward for 30" desk

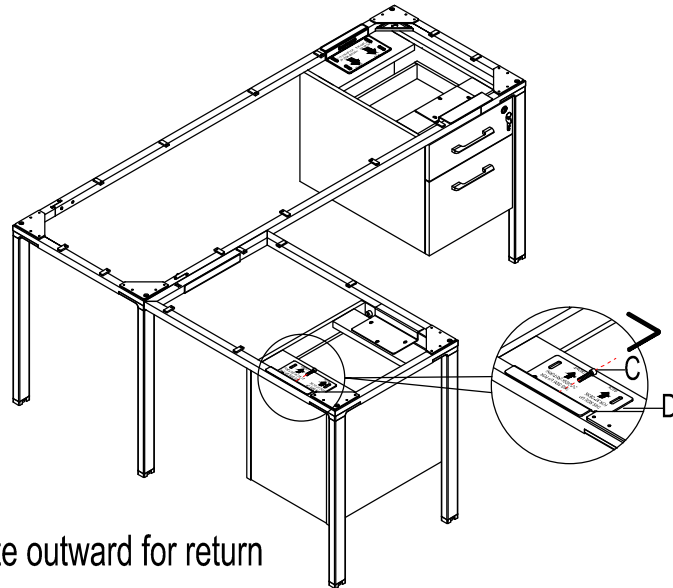
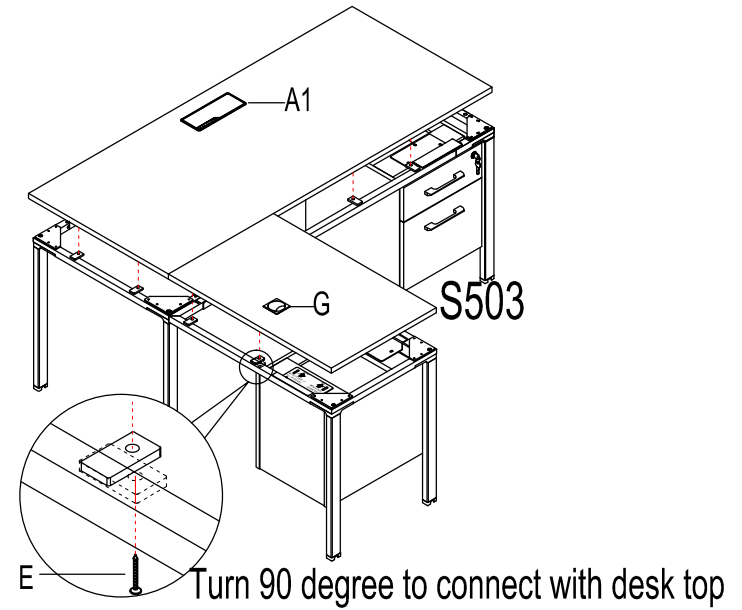
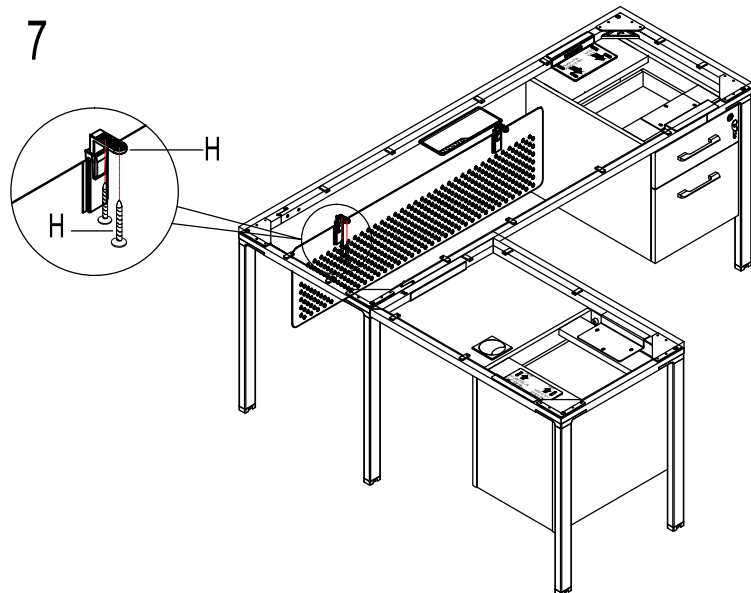


plate outward for return

6

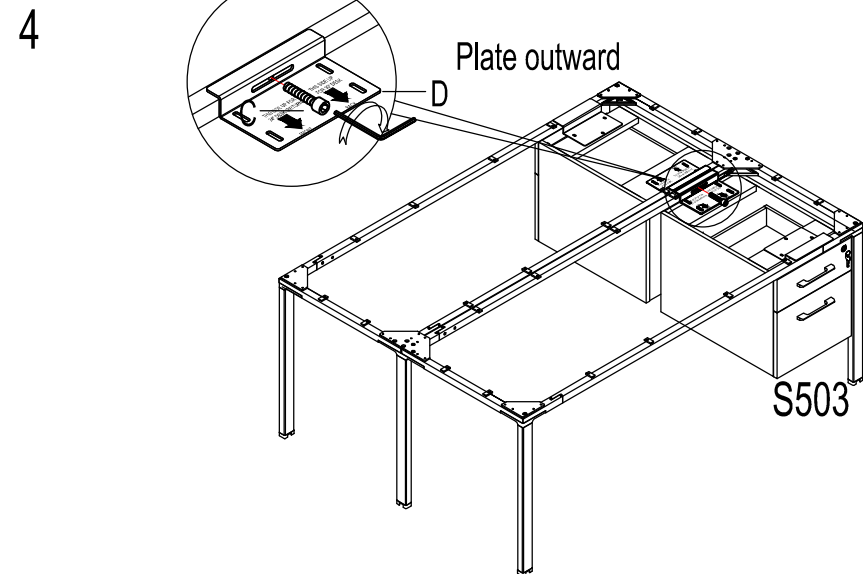
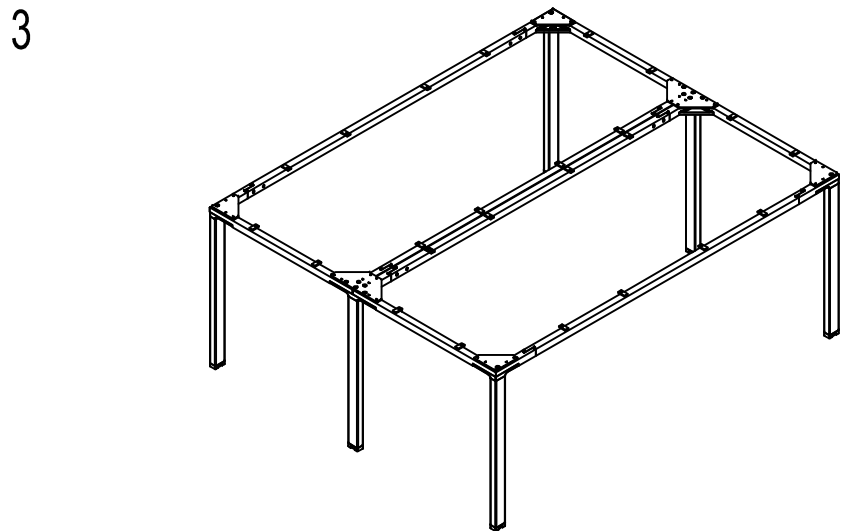
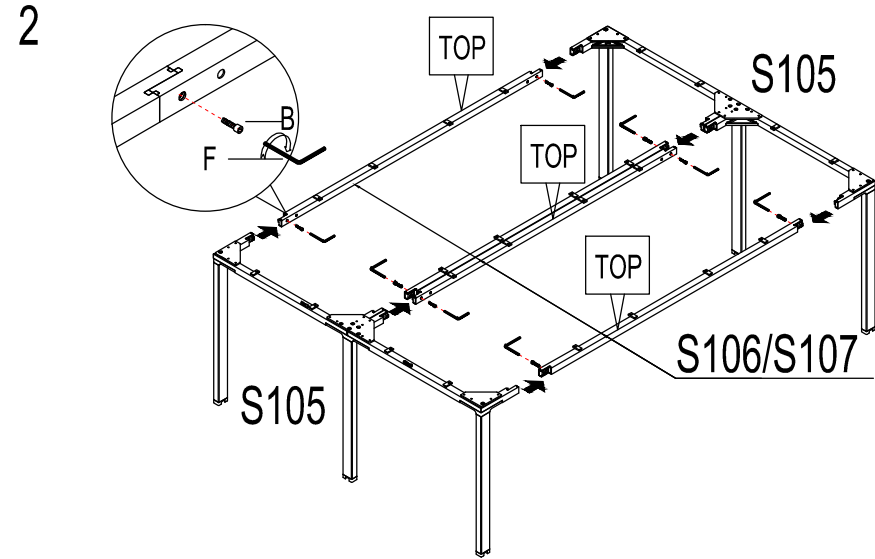
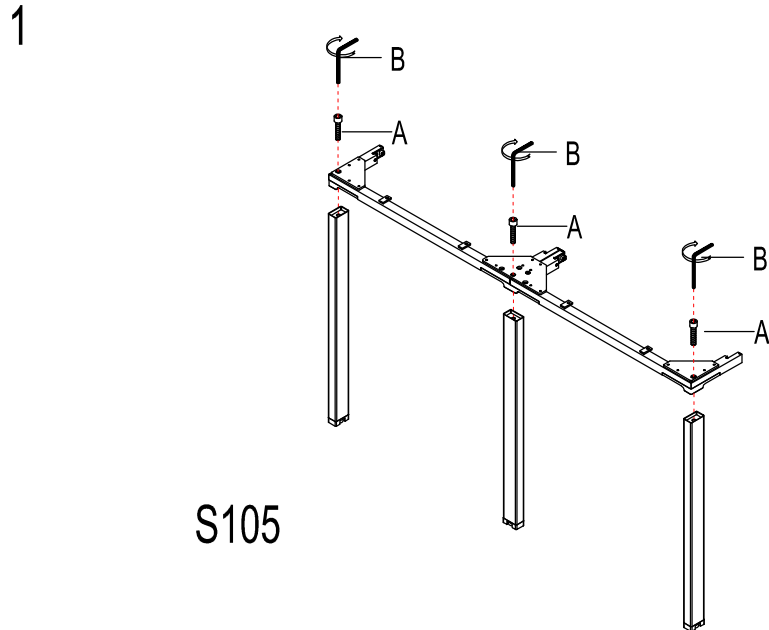
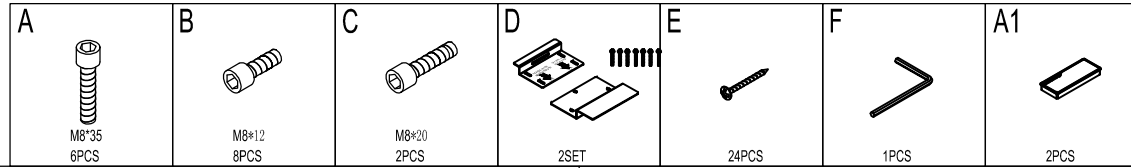


7



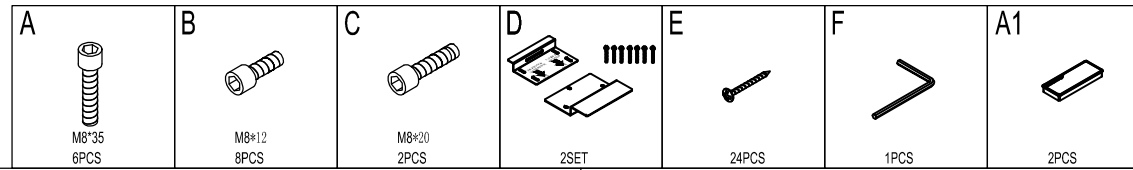
# Assembly Instructions

## E : 2PF stations with side cabinet

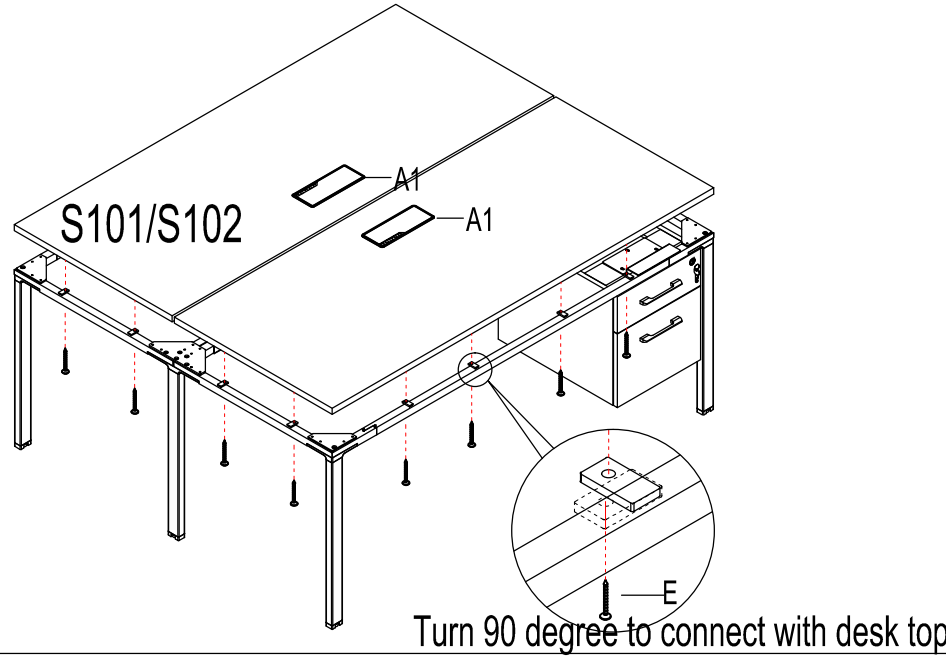


# Assembly Instructions

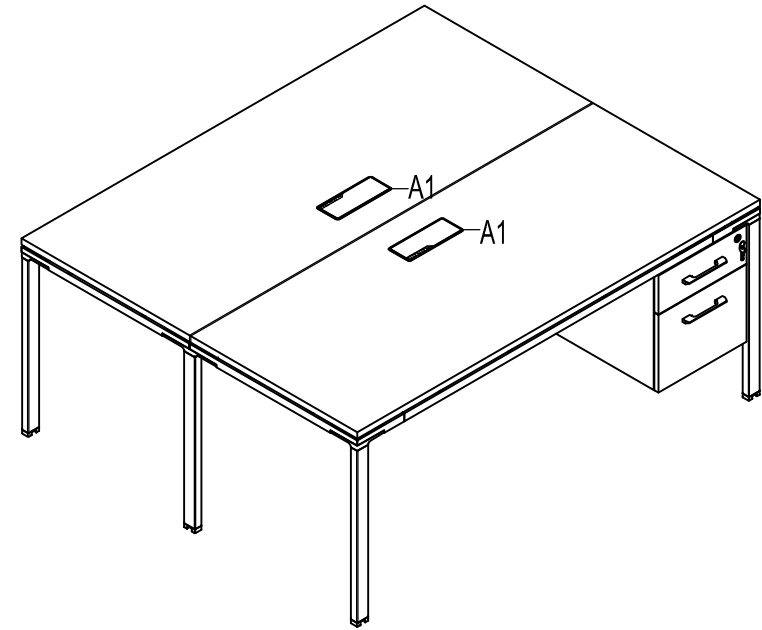
## E : 2PF stations with side cabinet



5

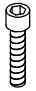


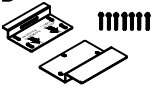






6

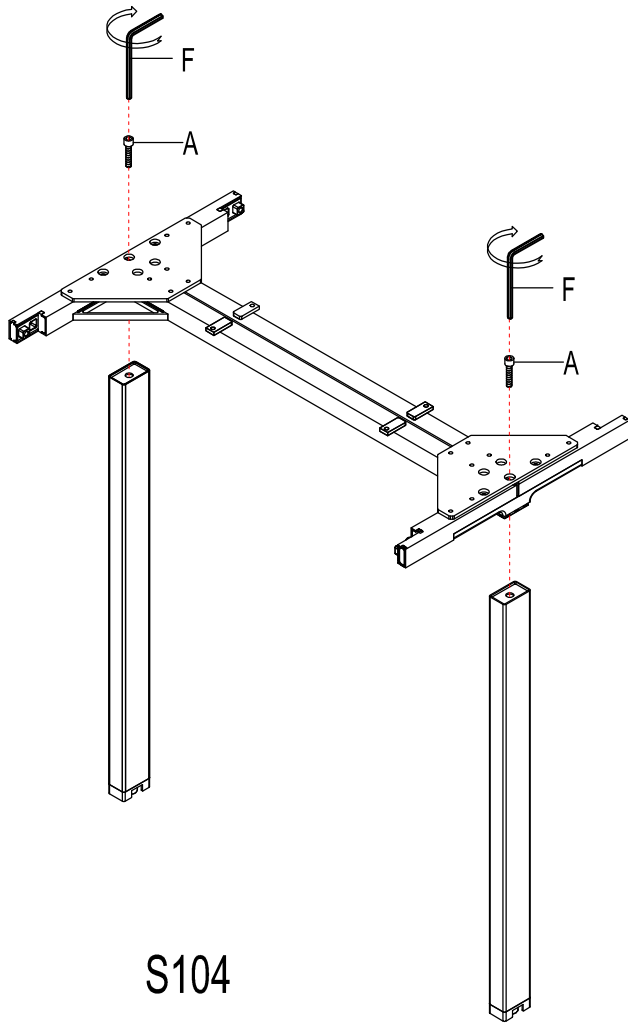


# Assembly Instructions

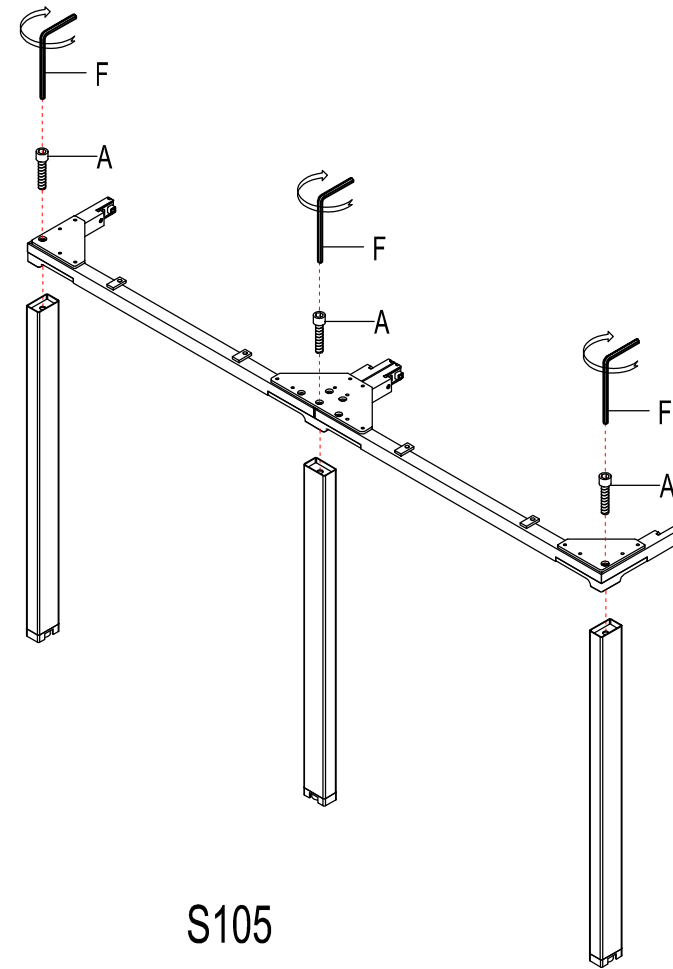
## M : 8PF stations with Return & Ped

<p><b>A</b></p>  <p>M8*35 18PCS</p>	<p><b>B</b></p>  <p>M8*12 32PCS</p>	<p><b>C</b></p>  <p>M8*20 8PCS</p>	<p><b>D</b></p>  <p>8SET</p>	<p><b>E</b></p>  <p>144PCS</p>	<p><b>F</b></p>  <p>1PCS</p>	<p><b>G</b></p>  <p>8PCS</p>	<p><b>A1</b></p>  <p>8PCS</p>
--	--	---	--	---	---	---	--

1

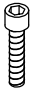

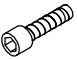







2

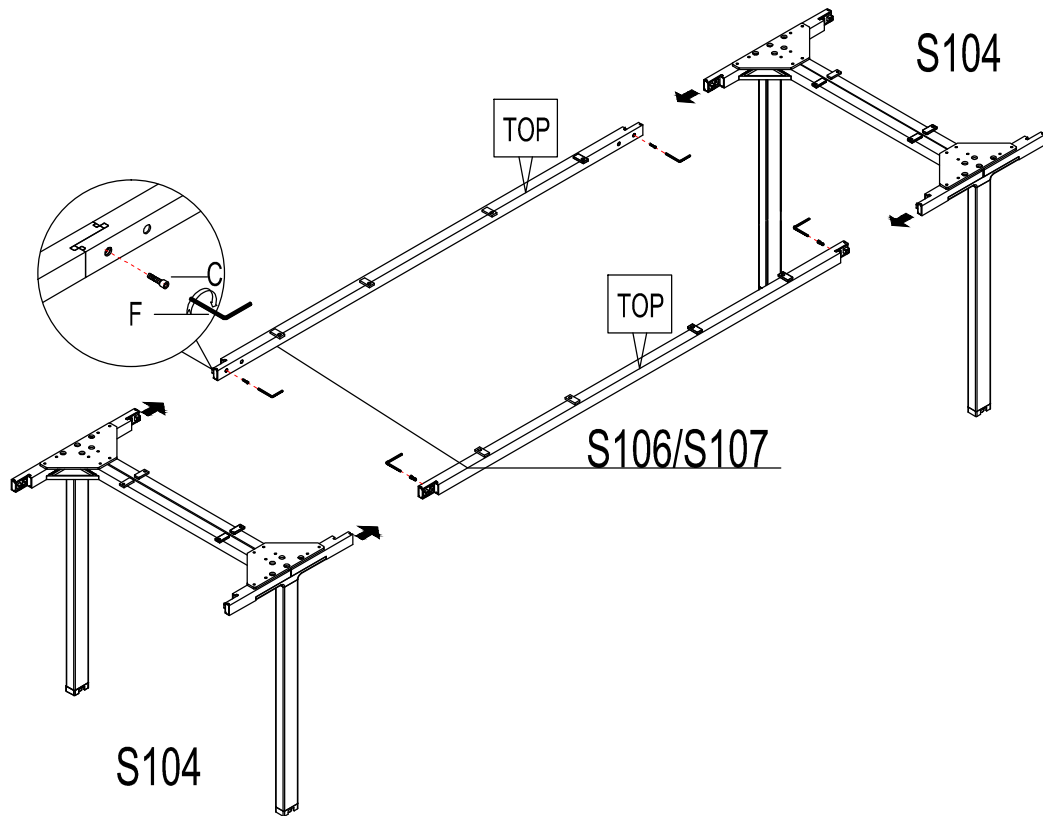


# Assembly Instructions

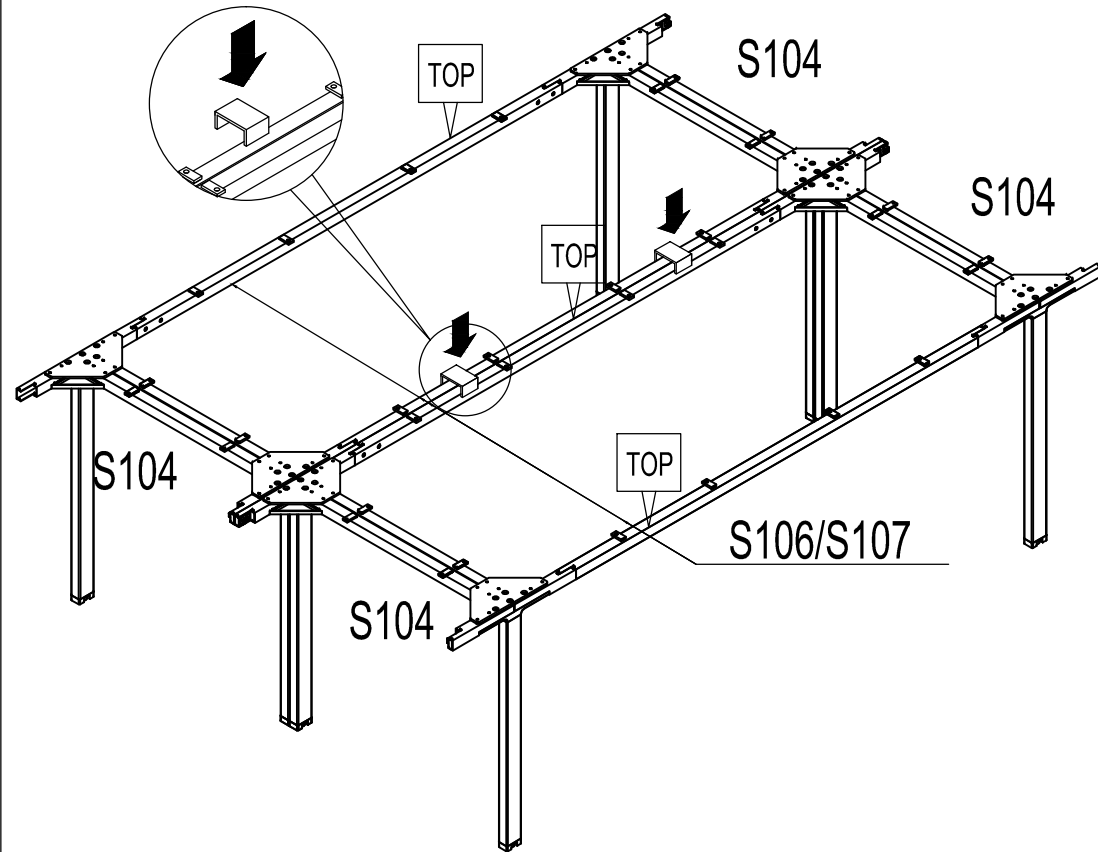
## M : 8PF stations with Return & Ped

<b>A</b>  M8*35 18PCS	<b>B</b>  M8*12 32PCS	<b>C</b>  M8*20 8PCS	<b>D</b>  8SET	<b>E</b>  144PCS	<b>F</b>  1PCS	<b>G</b>  8PCS	<b>A1</b>  8PCS
---	---	--	--	---	---	---	--

3

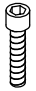

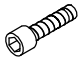







4

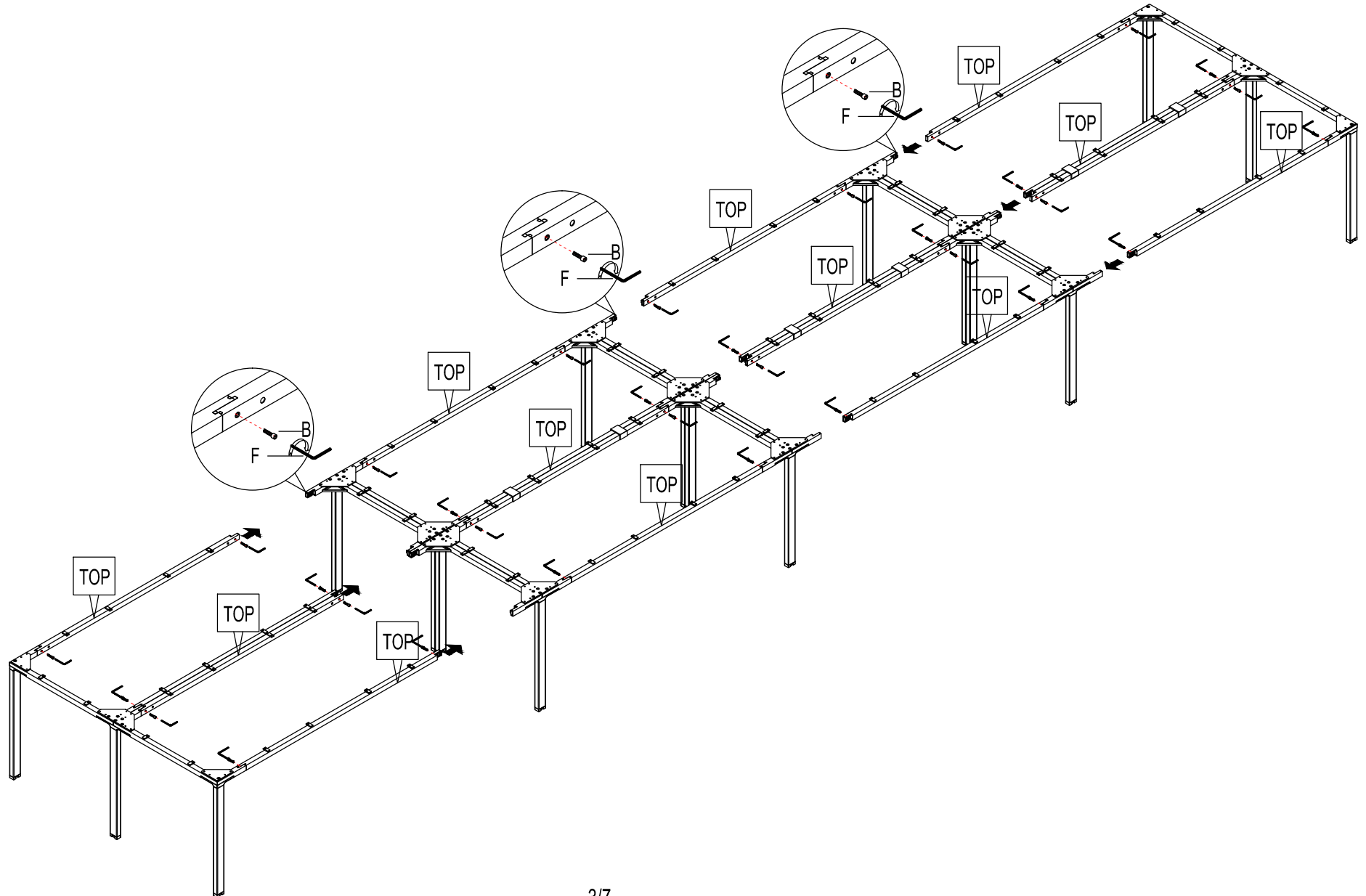


# Assembly Instructions

## M: 8PF stations with Return & Ped

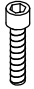

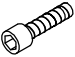





A	B	C	D	E	F	G	A1
 M8*35 18PCS	 M8*12 32PCS	 M8*20 8PCS	 8SET	 144PCS	 1PCS	 8PCS	 8PCS

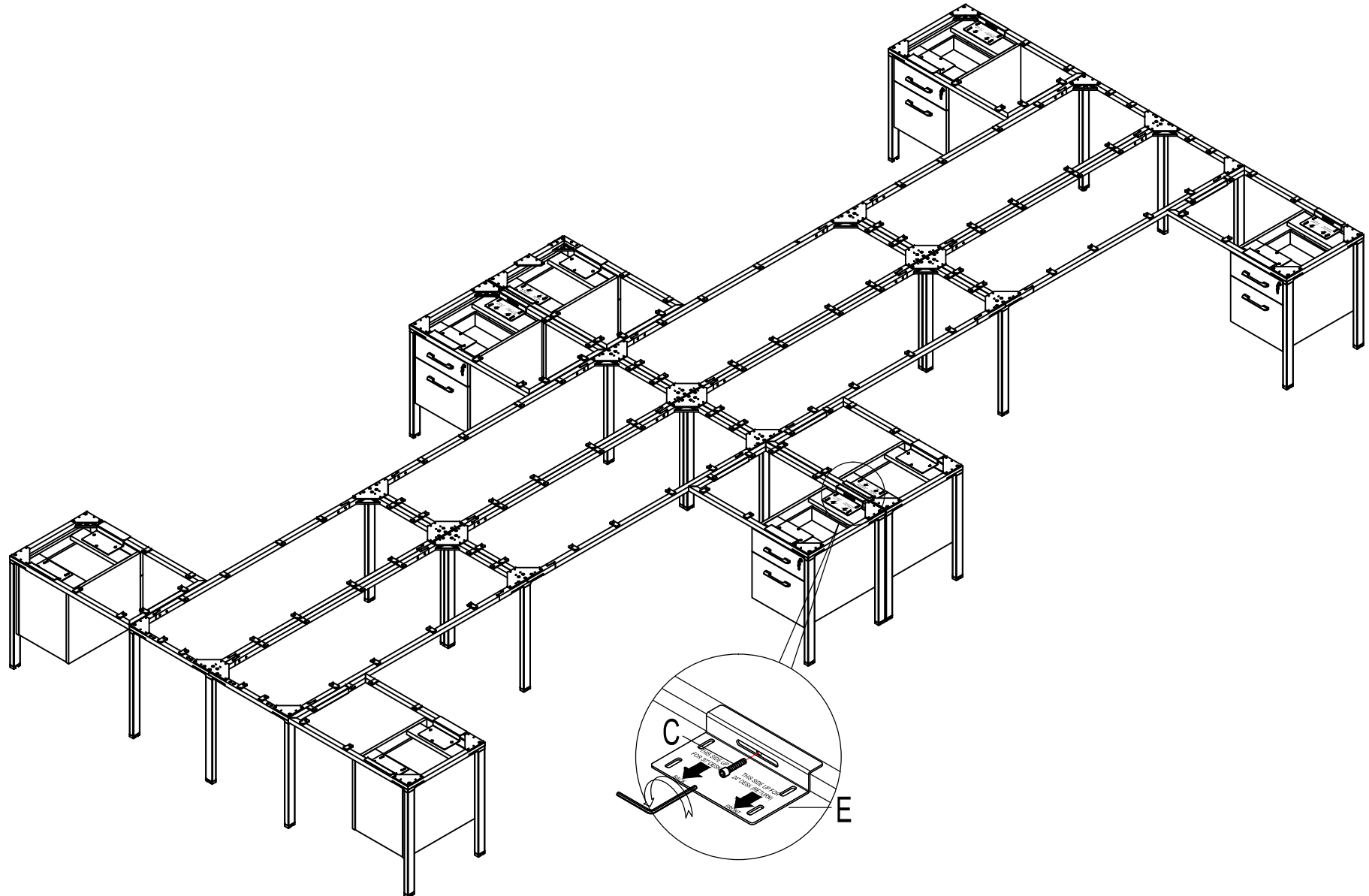
5



# Assembly Instructions

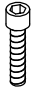

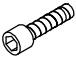





## M : 8PF stations with Return & Ped

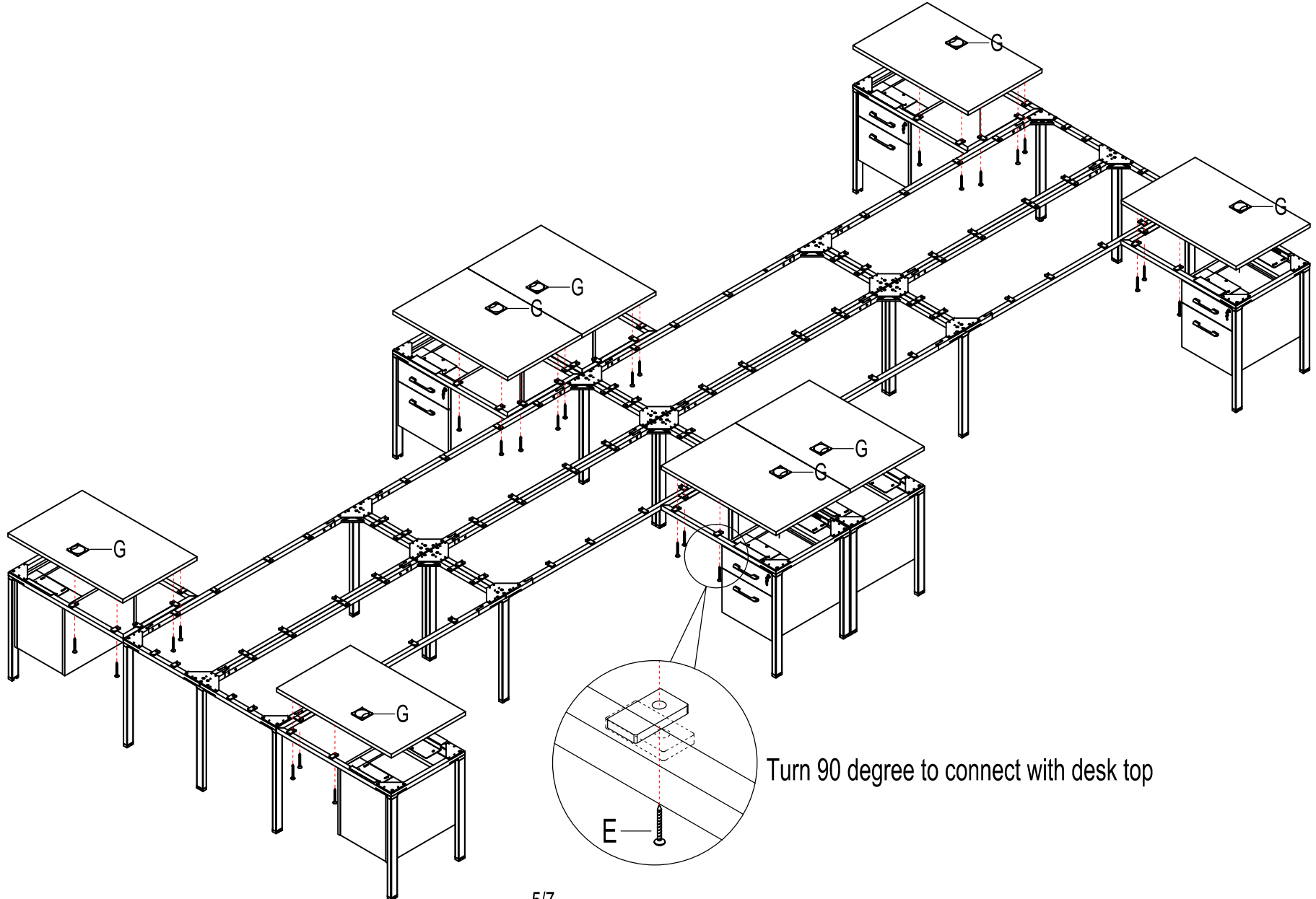
<b>A</b>  M8*35 18PCS	<b>B</b>  M8*12 32PCS	<b>C</b>  M8*20 8PCS	<b>D</b>  8SET	<b>E</b>  144PCS	<b>F</b>  1PCS	<b>G</b>  8PCS	<b>A1</b>  8PCS
---	---	--	--	---	---	---	--



# Assembly Instructions

## M : 8PF stations with Return & Ped









A  M8*35 18PCS	B  M8*12 32PCS	C  M8*20 8PCS	D  8SET	E  144PCS	F  1PCS	G  8PCS	A1  8PCS
--	--	---	---	--	--	--	---

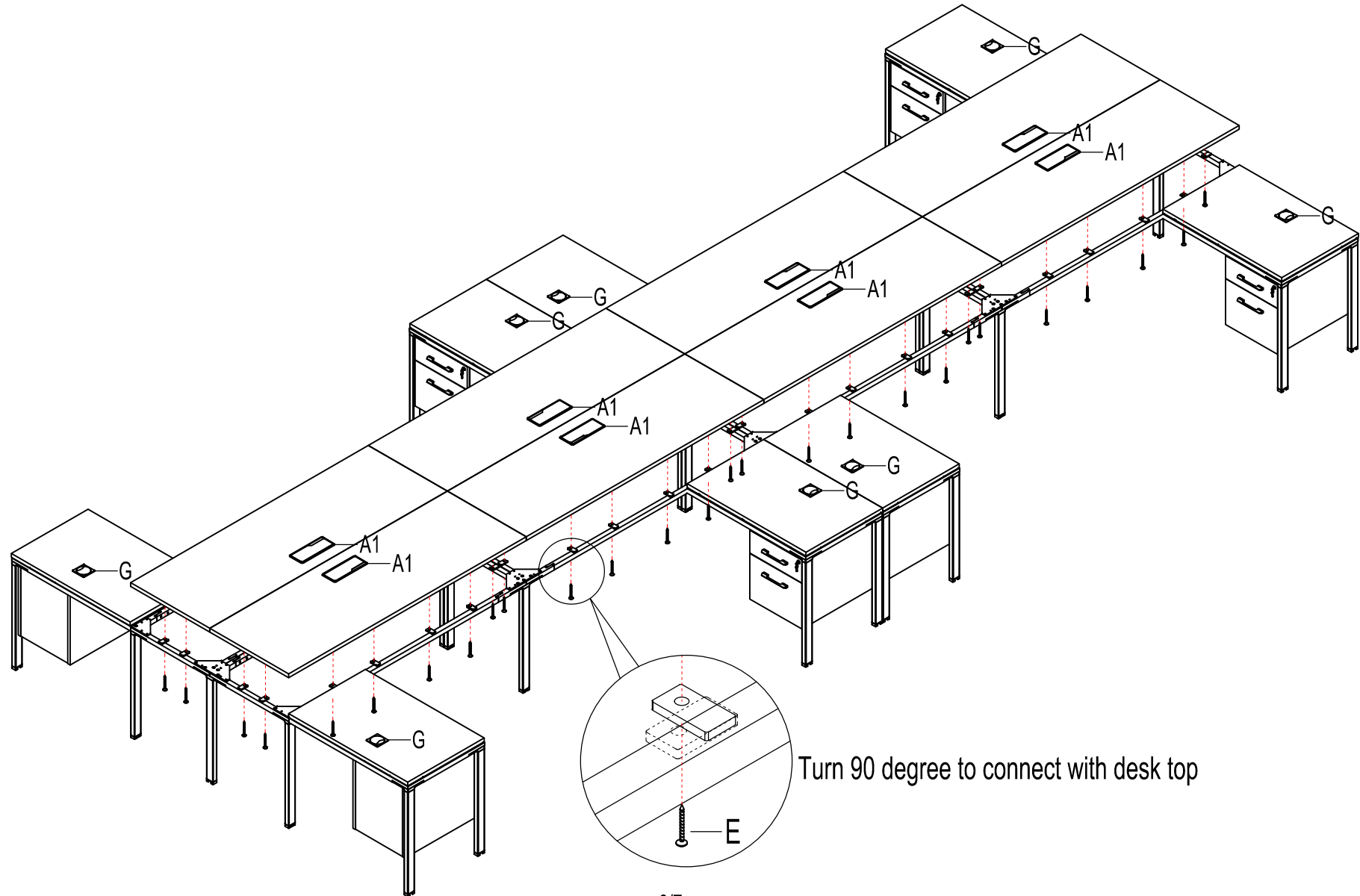




# Assembly Instructions

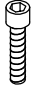

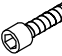





## M: 8PF stations with Return & Ped

A  M8*35 18PCS	B  M8*12 32PCS	C  M8*20 8PCS	D  8SET	E  144PCS	F  1PCS	G  8PCS	A1  8PCS
--	--	---	---	--	--	--	---



# Assembly Instructions

## M: 8PF stations with Return & Ped

A  M8*35 18PCS	B  M8*12 32PCS	C  M8*20 8PCS	D  8SET	E  144PCS	F  1PCS	G  8PCS	A1  8PCS
--	--	---	---	--	--	--	---

