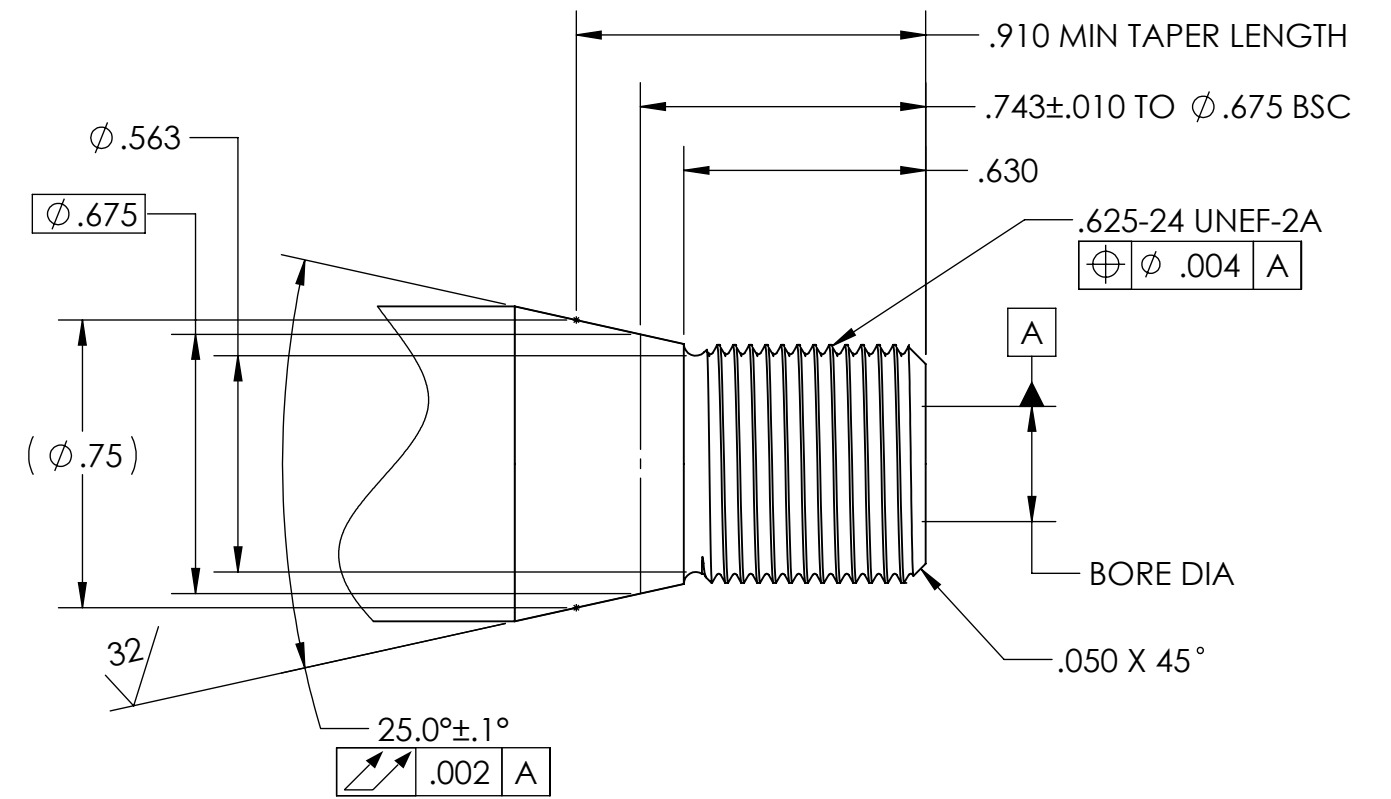


1/2-28 THREAD WITH TAPER



5/8-24 THREAD WITH TAPER