



# Aqua-Hot®



**AHE-600-D01**

**AHE-675-D01**



# Table Of Contents

---

## **Section 1: Heater Overview**

---

General..... Page 5-9

## **Section 2: Diesel-Burner**

---

Overview ..... Page 10-12

## **Section 3: Misc. Parts**

---

Misc. Parts..... Page 13

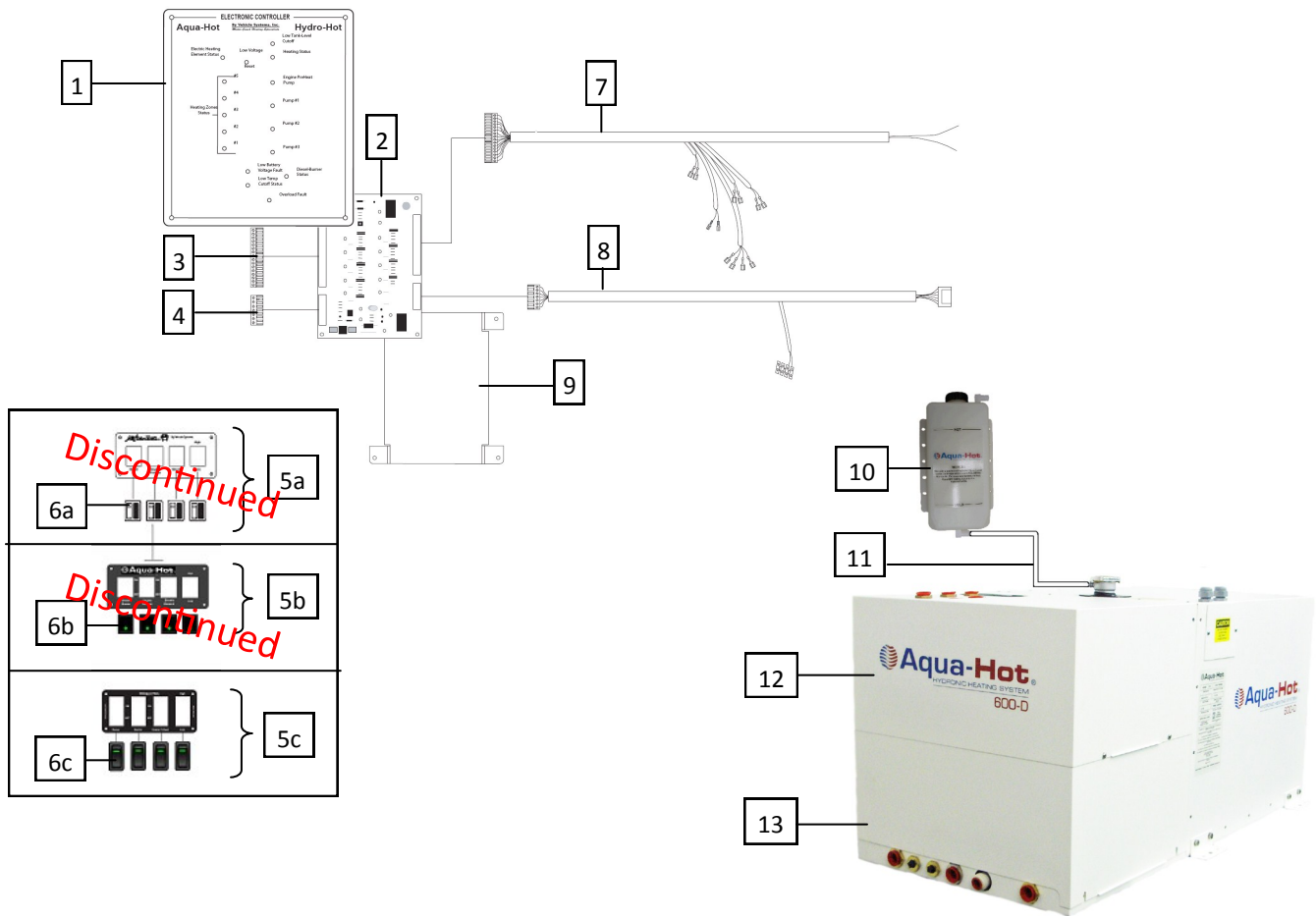
## **Section 4: Tools**

---

Tools..... Page 14

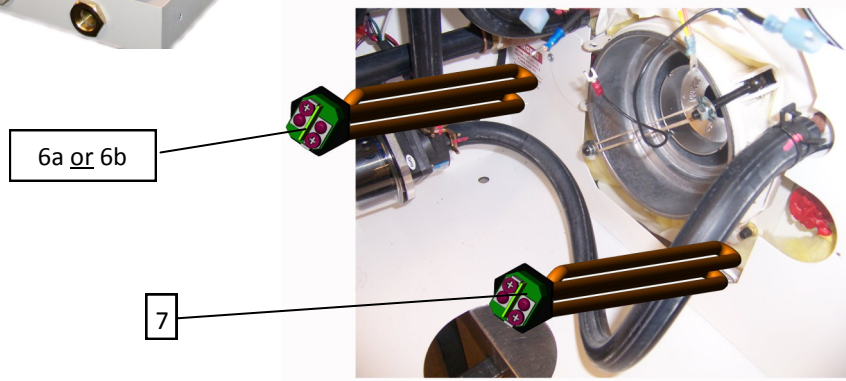
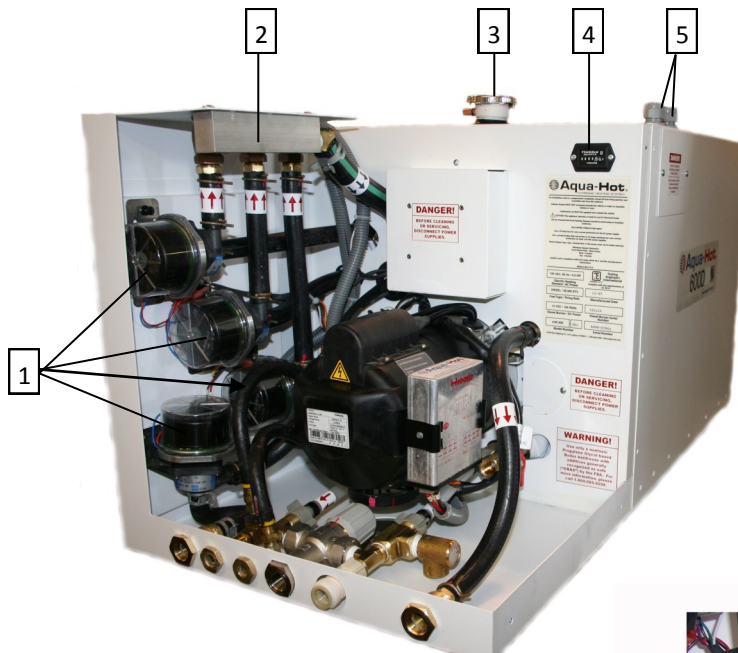


# Section 1: Heater Overview



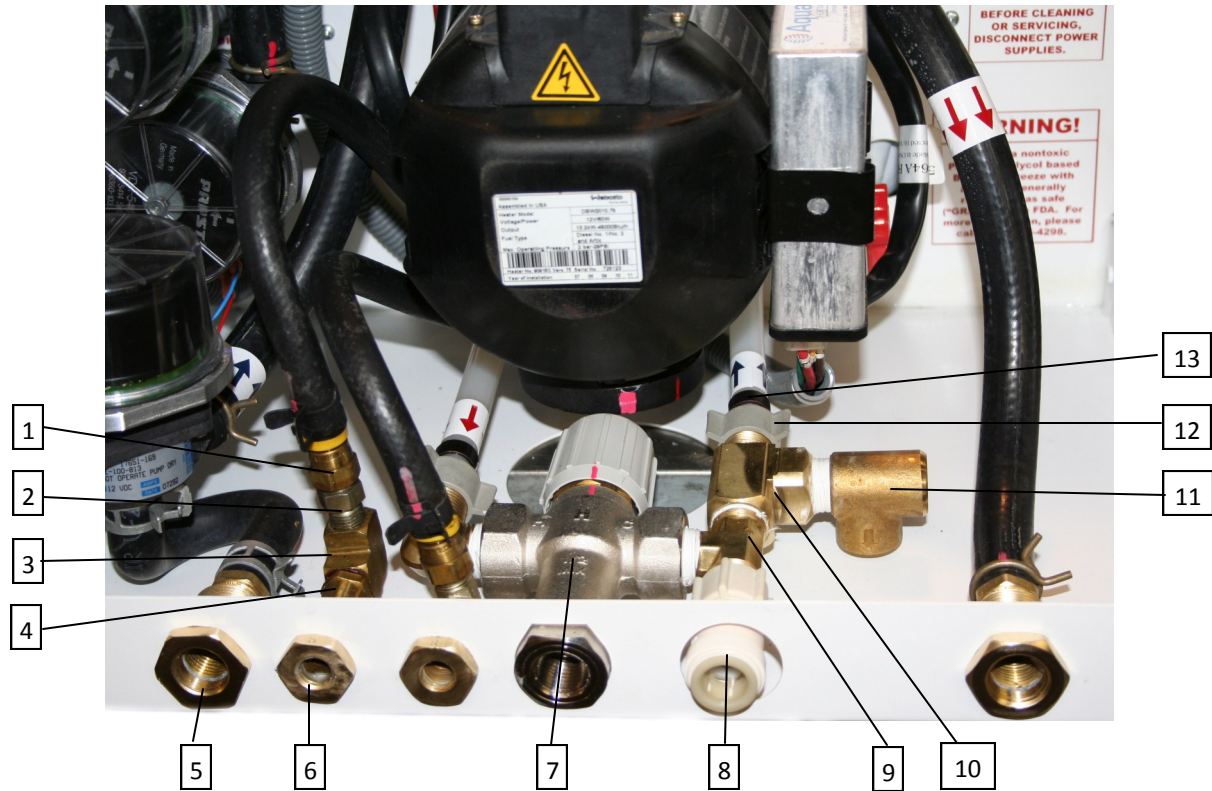
| Key | Part Number    | Date Of Use       | Description  |
|-----|----------------|-------------------|--|
| 1   | SME-200-501    |                   | Faceplate, Electronic Controller, Assembly           |
| 2   | ELE-PC4-010-AA |                   | Controller, Electronic, 12 VDC                       |
| 3   | ELX-312-491    |                   | Plug, Electronic Controller, 20-Position             |
| 4   | ELX-312-499    |                   | Plug, Electronic Controller, 8-position              |
| 5a  | ELE-000-507    | 10/2009 - 04/2010 | Panel, Switch Assembly, 12 VDC - <b>Discontinued</b> |
| 5b  | ELE-000-507    | 5/2010 - 08/2011  | Panel, Switch Assembly, 12 VDC - <b>Discontinued</b> |
| 5c  | ELE-000-509    | 09/2011 - Current | Panel, Switch Assembly, 12 VDC                       |
| 6a  | ELX-283-284    | 10/2009 - 04/2010 | Switch, Rocker, w/LED - Discontinued                 |
| 6b  | ELX-283-284    | 05/2010 - 08/2011 | Switch, Rocker, w/LED - Discontinued                 |
| 6c  | ELX-283-283    | 09/2011 - Current | Switch, Rocker, w/LED                                |
| 7   | ELE-100-463    |                   | Harness, Circulation Pump Dual Control               |
| 8   | ELE-100-422    |                   | Harness, B-Plug, JP4, 12 ft                          |
| 9   | SME-EN4-008    |                   | Back, Electronic Controller, Enclosure               |
| 10  | PLE-630-900    |                   | Tank, 5QT Expansion                                  |
| 11  | PLX-210-092    |                   | Tubing, Clear 5/16 in. X 6 ft                        |
| 12  | SME-101-311    |                   | Cover, Top Split Access Assembly                     |
| 13  | SME-101-305    |                   | Cover, Lower Assembly                                |

# Section 1: Heater Overview



| Key    | Part Number | Date Of Use | Description                                   |
|--------|-------------|-------------|---|
| 1      | PLE-100-814 |             | Pump, Mag Drive                               |
| 2      | PLE-100-500 |             | Manifold, Pump                                |
| 3      | PLE-102-229 |             | Cap, Radiator 13lb asm w/Warning Label        |
| 4      | ELX-002-100 |             | Meter, Hour                                   |
| 5      | HDX-000-623 |             | Clamp, Romex 1/2 in Plastic                   |
| 6a 600 | ELX-G12-07L |             | Element, Electric Heating 120 VAC / 2000 Watt |
| 6b 675 | ELX-2E7-600 |             | Element, Electric Heating 240 VAC / 4500 Watt |
| 7      | ELX-G12-07L |             | Element, Electric Heating 120 VAC / 2000 Watt |

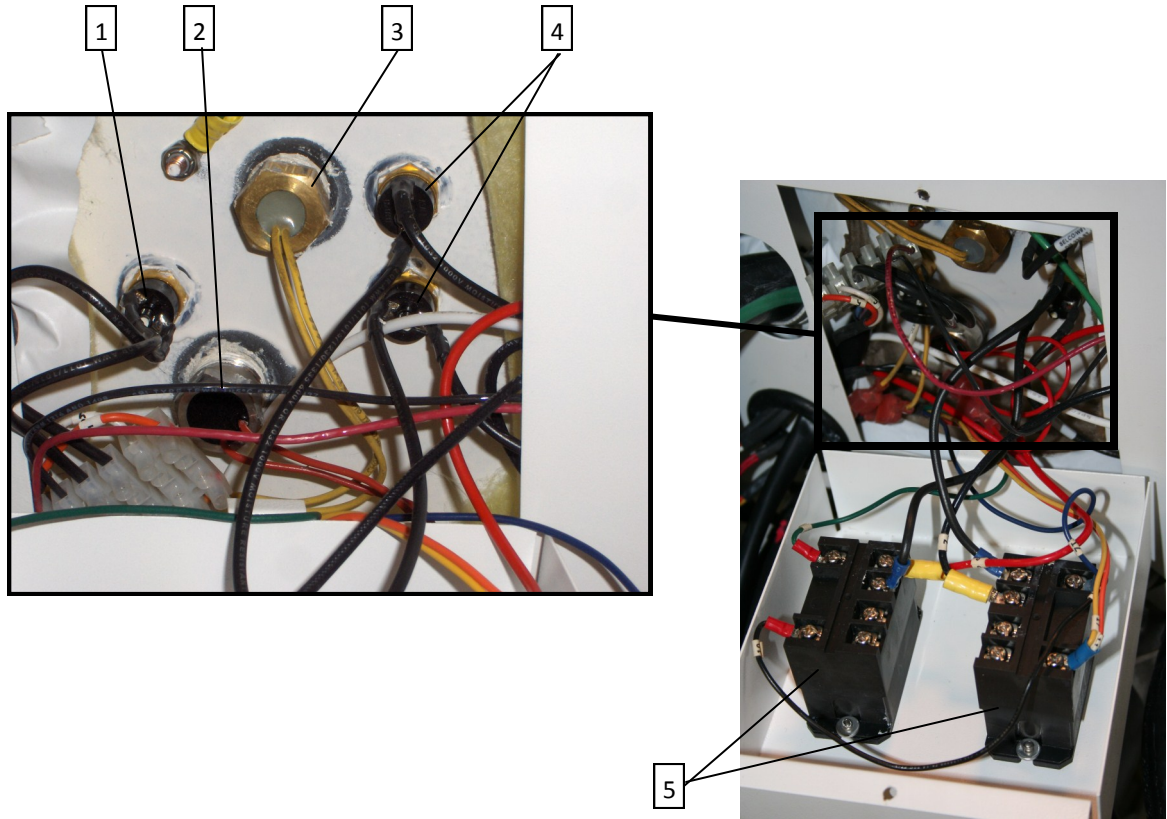
# Section 1: Heater Overview



| Key | Part Number | Date Of Use | Description                                  |
|-----|-------------|-------------|--|
| 1   | FLX-380-406 |             | Fitting, (F) #6 JIC x 5/16 Barb              |
| 2   | FLX-038-204 |             | Fitting, Steel, #6 (M) JIC x 1/4 (M) NPT     |
| 3   | FLX-FL1-022 |             | Fitting, Brass, Elbow 90°, 1/4 x 1/4 (F) NPT |
| 4   | FLX-751-CVL |             | Fitting, Valve, Fuel Check 1/4 x 1/4 (M) NPT |
| 5   | PLX-105-810 |             | Fitting, Bulkhead, 1/2 x 1/2 (F) NPT Brass   |
| 6   | PLX-105-800 |             | Fitting, Bulkhead, 1/4 x 1/4 (F) NPT Brass   |
| 7   | PLX-09P-100 |             | Valve, Tempering 145°F                       |
| 8   | PLX-803-000 |             | Fitting, Straight 1/2 PEX X 1/2 (F) NPT PFF  |
| 9   | PLX-M10-1DA |             | Fitting, Tee Forged, 1/2 (M) NPT             |
| 10  | PLX-0X1-07D |             | Fitting, Tee 1/2 NPT (M) (F) Brass           |
| 11  | PLX-111-125 |             | Valve, Pressure Relief 125 psi               |
| 12  | PLX-000-730 |             | Fitting Straight Swivel 1/2 Barb x 1/2 FPT   |
| 13  | PLX-000-745 |             | Ring, Crimp, 1/2"                            |



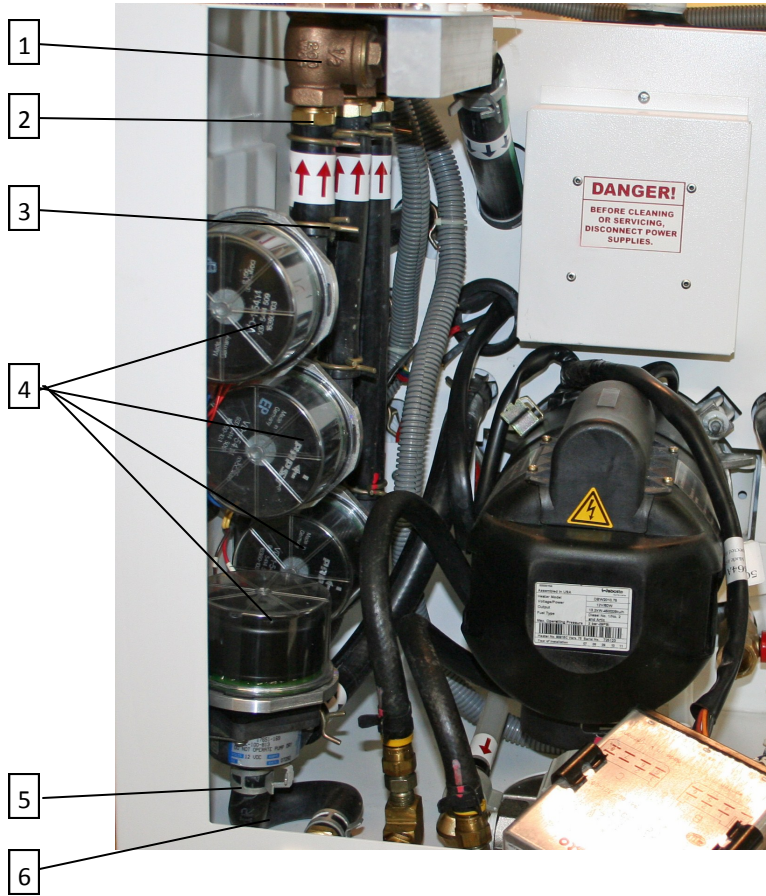
# Section 1: Heater Overview



| Key | Part Number     | Date Of Use | Description                                       |
|-----|-----------------|-------------|---|
| 1   | ELE-HLT-322     |             | Thermostat, High Limit 220°F                      |
| 2   | ELE-014-005     |             | Thermostat, Assembly, Control, 185°F, 1/2 (M) NPT |
| 3   | ELE-800-002     |             | Switch, Fluid Level, Brass                        |
| 4   | ELE-ASY-300-FRU |             | Thermostat Assy. VAC, High Limit 220°F            |
| 5   | ELX-630-001     |             | Relay, 30A 277 VAC12 VDC Coil                     |

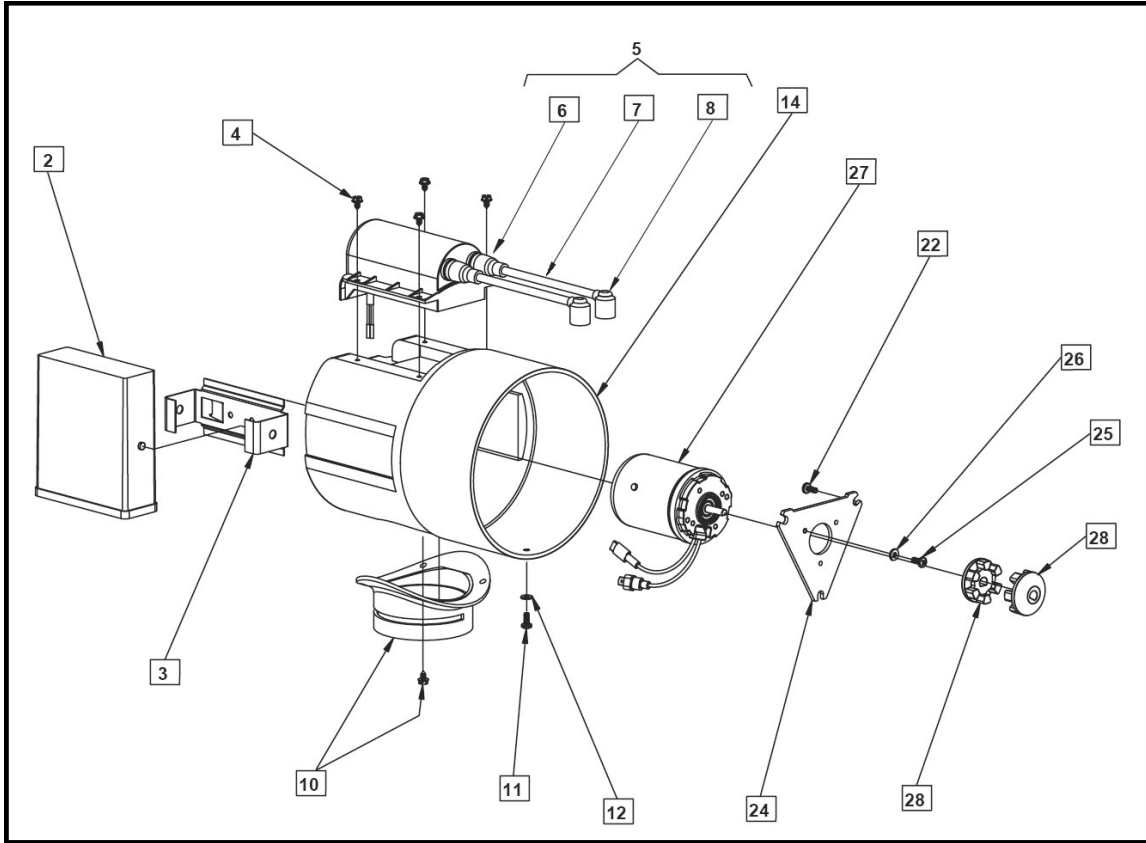


# Section 1: Heater Overview



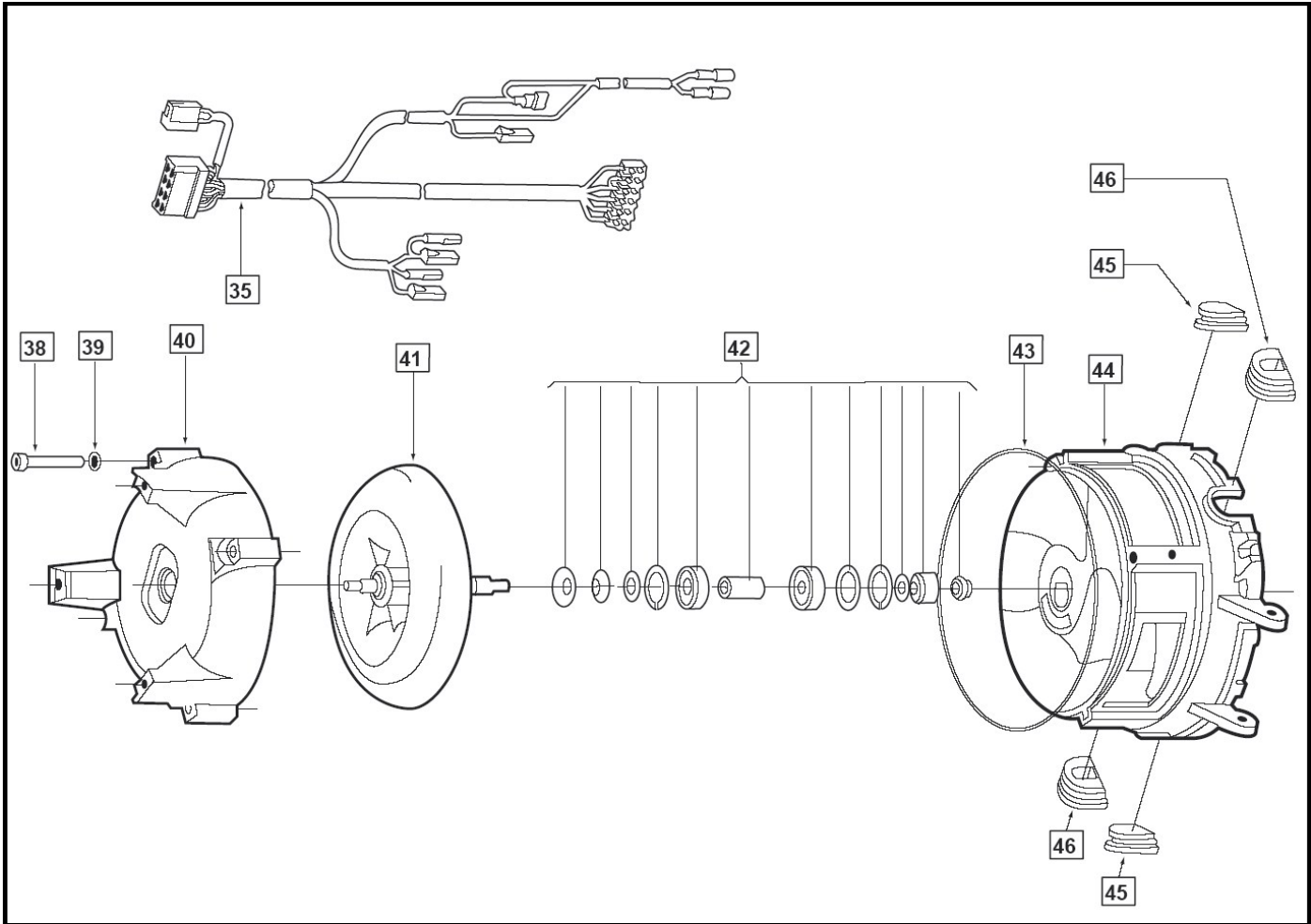
| Key | Part Number | Date Of Use | Description                            |
|-----|-------------|-------------|--|
| 1   | PLX-2A1-300 |             | Valve, Brass, Check 1/2 x 1/2 (F) NP   |
| 2   | PLX-A63-000 |             | Fitting, Brass, Barb 5/8 x 1/2 (M) NPT |
| 3   | PLX-000-140 |             | Clamp, Hose Single Wire 7/8 in Steel   |
| 4   | PLE-100-814 |             | Pump, Mag Drive                        |
| 5   | PLX-CTB-250 |             | Clamp, Hose Constant Tension 23/32     |
| 6   | PLX-GAT-700 |             | Hose, Formed 7/25" Pre-Heat            |

## Section 2: Diesel Burner Overview



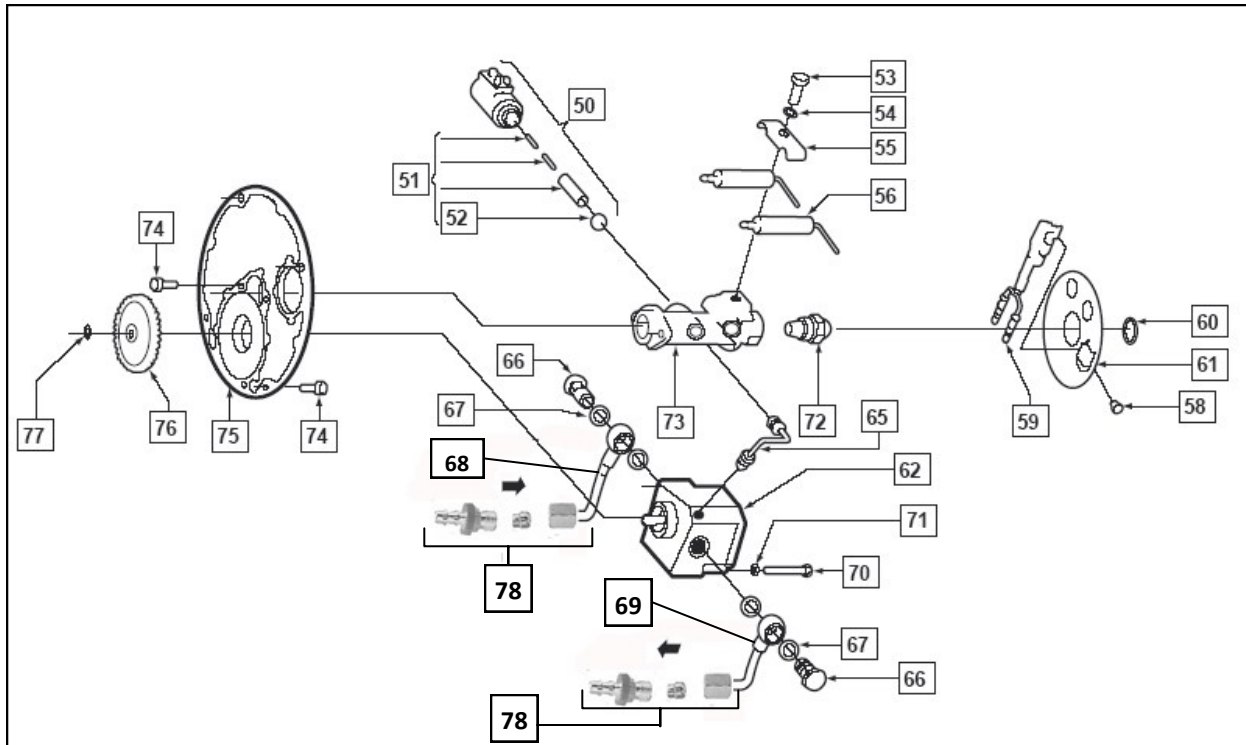
| Key | Part Number | Date Of Use | Description                                |
|-----|-------------|-------------|--|
| 2   | WPX-287-962 |             | Controller, Diesel Burner, 12 VDC          |
| 3   | WPX-362-107 |             | Bracket, Controller Mounting               |
| 4   | WPX-470-562 |             | Screw, Coil Mounting                       |
| 5   | WPX-101-838 |             | Coil, Ignition, 12 VDC                     |
| 6   | WPX-404-918 |             | Boot, Ignition Wire                        |
| 7   | WPX-178-624 |             | Wire, Ignition                             |
| 8   | WPX-176-494 |             | Boot, Ignition Wire Elbow                  |
| 10  | WPX-350-427 |             | Shutter, Combustion Air Intake             |
| 11  | WPX-432-377 |             | Screw, Protection Housing, and Motor Plate |
| 12  | WPX-152-269 |             | Washer, Star, Protection Housing           |
| 14  | WPX-436-216 |             | Cap, Protection, Motor                     |
| 22  | WPX-147-834 |             | Screw, Flange, Blower Housing              |
| 24  | WPX-425-05A |             | Plate, Motor Mounting                      |
| 25  | WPX-432-377 |             | Screw, Protection Cap                      |
| 26  | WPX-152-269 |             | Washer, Star, Motor Plate                  |
| 27  | WPX-425-060 |             | Motor, Combustion, Air/Fuel Pump, 12 VDC   |
| 28  | WPX-350-516 |             | Clutch, Half, 6mm                          |

## Section 2: Diesel Burner Overview



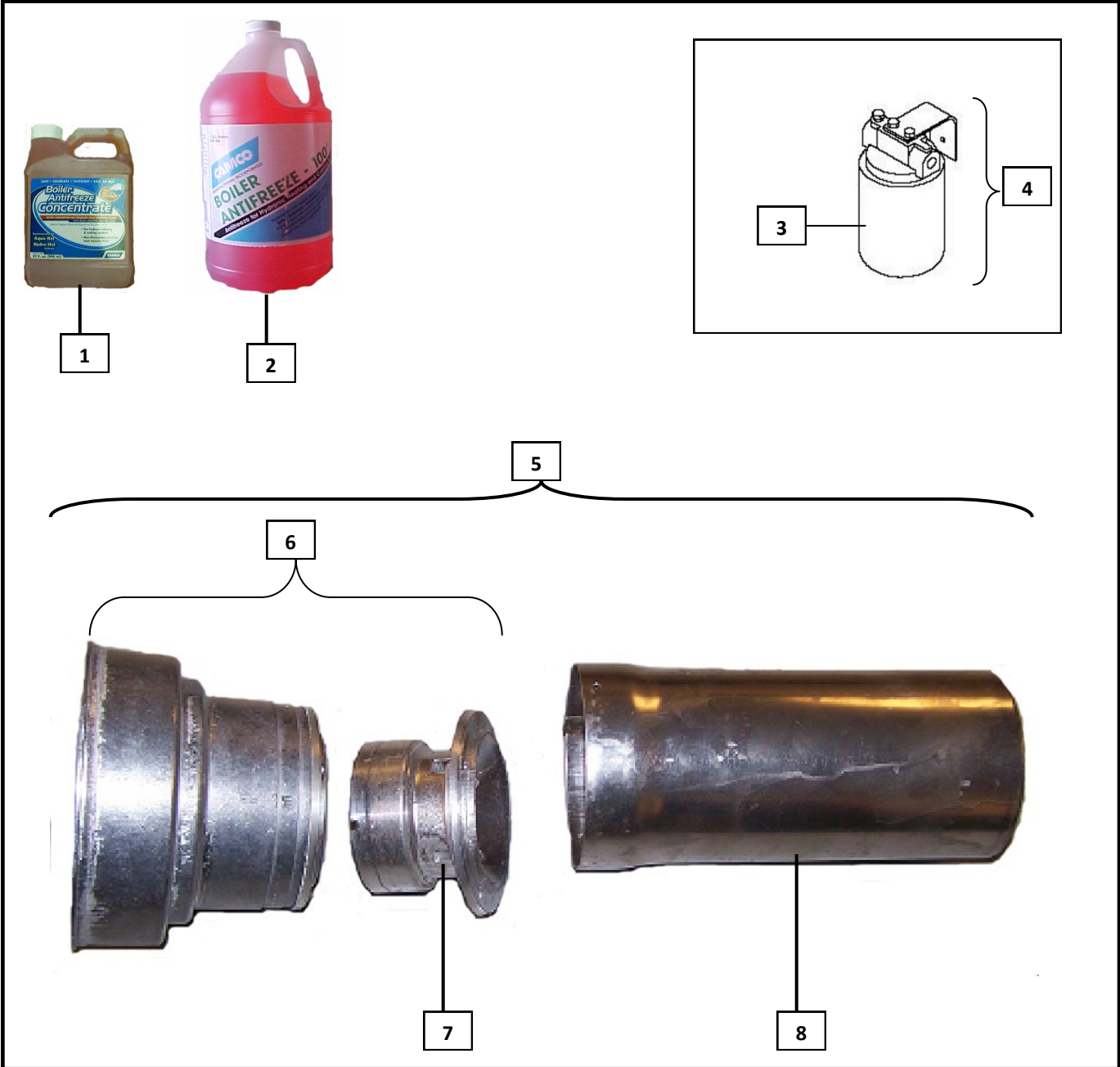
| Key | Part Number | Date Of Use | Description                    |
|-----|-------------|-------------|--------------------------------|
| 35  | WPX-434-795 |             | Harness, C-Plug                |
| 38  | WPX-148-210 |             | Screw, Blower Casting          |
| 39  | WPX-152-552 |             | Washer, Lock, Blower Casting   |
| 40  | WPX-301-841 |             | Housing, Blower                |
| 41  | WPX-373-001 |             | Blower, Wheel, w/Shaft         |
| 42  | WPX-378-313 |             | Bearing Kit                    |
| 43  | WPX-412-244 |             | O-Ring, Blower Casting         |
| 44  | WPX-225-67A |             | Casting, Blower                |
| 45  | WPX-298-964 |             | Grommet, Blower Casting, Left  |
| 46  | WPX-299-995 |             | Grommet, Blower Casting, Right |

## Section 2: Diesel Burner Overview



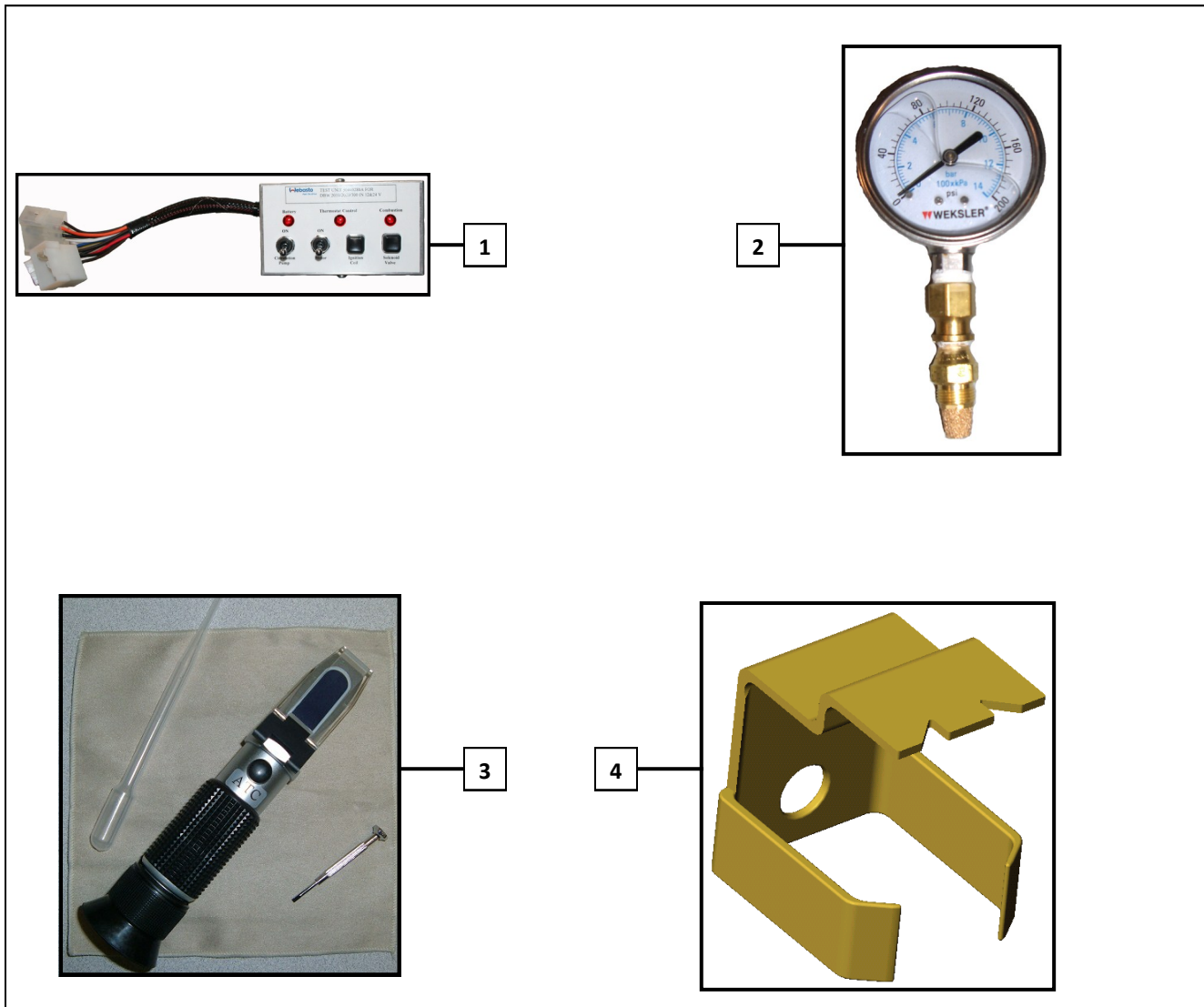
| Key | Part Number | Date Of Use | Description   |
|-----|-------------|-------------|---|
| 50  | WPX-322-083 |             | Valve, Fuel Solenoid, 12 VDC                          |
| 51  | WPX-386-650 |             | Valve, Fuel Solenoid, Kit                             |
| 52  | WPX-260-487 |             | O-Ring, Fuel Solenoid Valve                           |
| 53  | WPX-267-279 |             | Bolt, Electrode                                       |
| 54  | WPX-152-560 |             | Washer, Lock, Electrode                               |
| 55  | WPX-278-971 |             | Clamp, Electrode                                      |
| 56  | WPX-274-313 |             | Electrode, Ignition                                   |
| 58  | WPX-147-699 |             | Screw, Flame Sensor                                   |
| 59  | WPX-638-78A |             | Sensor, Flame   |
| 60  | WPX-453-048 |             | Clip, Retaining, Photo Disc                           |
| 61  | WPX-887-71A |             | Disc, Photo   |
| 62  | WPX-503-03A |             | Pump, Fuel, Kit                                       |
| 65  | WPX-665-49A |             | Tube, Fuel, High Pressure                             |
| 66  | WPX-150-754 |             | Bolt, Banjo   |
| 67  | WPX-151-157 |             | Gasket, Ring, Copper                                  |
| 68  | WPX-661-002 |             | Pipe, Fuel, Banjo, Supply DBW 2010 (w/Straight Tube)  |
| 69  | WPX-661-001 |             | Pipe, Fuel, Banjo, Return, DBW 2010 (w/Straight Tube) |
| 70  | WPX-277-282 |             | Screw, Mounting, Fuel Pump                            |
| 71  | WPX-152-544 |             | Washer, Lock, Fuel Pump                               |
| 72  | WPX-886-41A |             | Nozzle, Fuel, .35 GPH                                 |
| 73  | WPX-412-198 |             | Manifold, Fuel Nozzle, Brass                          |
| 74  | WPX-277-150 |             | Screw, Plate, Nozzle Stand                            |
| 75  | WPX-102-861 |             | Plate, Manifold                                       |
| 76  | WPX-371-289 |             | Gear, Fuel Pump, Nylon                                |
| 77  | WPX-152-390 |             | Snap, Ring, Gear                                      |
| 78  | FLE-FUL-100 |             | Fuel Kit, JIC, Male, w/Nut and Ring, Complete         |

# Section 3: Misc. Parts



| Key | Part Number | Date Of Use | Description  |
|-----|-------------|-------------|--|
| 1   | MSX-300-275 |             | Antifreeze, Boiler, P.G., 1qt, Concentrate (Camco) |
| 2   | MSX-300-270 |             | Antifreeze, Boiler, P.G., 1 Gallon (Camco)         |
| 3   | FLE-120-100 |             | Filter, Canister, Replacement, Garber              |
| 4   | FLX-120-000 |             | Filter, Fuel, Garber Assembly                      |
| 5   | WPX-265-53A |             | Combustion Chamber, DBW 2010                       |
| 6   | WPX-303-051 |             | Swirler, Combustion Chamber Air Assembly           |
| 7   | WPX-302-651 |             | Air Swirler, DBW 2010                              |
| 8   | WPX-303-050 |             | Tube, Combustion Chamber, DBW 2010                 |

## Section 4: Tools



| Key | Part Number | Date Of Use | Description                            |
|-----|-------------|-------------|--|
| 1   | WPX-440-280 |             | Tester, Controller                     |
| 2   | WPE-600-190 |             | Gauge, Fuel Pressure                   |
| 3   | MSX-907-162 |             | Tester, Refractometer, Battery/Coolant |
| 4   | WPX-310-646 |             | Gauge, Adjustment, Electrode           |







**AHE-600-D01**  
**AHE-675-D01**  
**PARTS MANUAL**



15549 East Highway 52 | Fort Lupton, CO 80621  
Toll free: 800.685.4298 | phone: 303.659.8221 | fax: 303.857.7881

[www.aquahot.com](http://www.aquahot.com)