



**By Vehicle Systems, Inc.**

*Motor Coach Heating Specialists*

## **Shop Manual**

**Model Numbers**

**AHE-100-04S - 12 VDC**

**AHE-120-04X - 12 VDC**

**AHE-130-04X - 12 VDC**

**Rev. C**

**May - 2014**

**Section 1    General Heater Information** **Page**

---

1.1    Component Overview.....1  
1.2    Marking Plate.....2

**Section 2    Model Differentiation**

---

2.1    Aqua-Hot Model Differentiation.....3

**Section 3    Switch Panel**

---

3.1    Interior Switch Panel.....4  
3.2    Diesel Switch.....4  
3.3    Electric Switch.....4  
3.4    Engine Preheat Switch.....5

**Section 4    Electronic Controller**

---

4.1    Electronic Controller.....6  
4.2    Electric Heating Element Status Indicator Light.....6  
4.3    Heating Zones Status Indicator Lights.....6  
4.4    Low Voltage Reset.....7  
4.5    Low Tank-Level Cutoff Indicator Light.....7  
4.6    Heating Status Indicator Light.....7  
4.7    Engine Preheat Pump Indicator Light.....7  
4.8    Pump #1 Indicator Light.....7  
4.9    Pump #2 Indicator Light.....7  
4.10    Pump #3 Indicator Light.....8  
4.11    Low Battery Voltage Fault Indicator Light.....8  
4.12    Low Temp Cutoff Status Indicator Light.....8  
4.13    Diesel-Burner Status Indicator Light.....8  
4.14    Overload Fault Indicator Light.....8

**Section 5    Diesel-Burner**

---

5.1    Component Overview.....9  
5.2    Operational Flow-Chart.....10  
5.3    Operational Sequence.....11  
5.4    Identification Plate.....14

**Section 6    Diesel-Burner Wiring**

---

6.1    Diesel-Burner Controller.....15

**Section 7    Troubleshooting**

---

7.1    Troubleshooting.....16

**Section 8    Diesel-Burner Service, Maintenance, and Repair Information**

---

8.1    General Recommended Maintenance.....42  
8.2    Detaching and Reattaching the Diesel-Burner Head.....43  
8.3    Motor.....44  
8.4    Flame Sensor.....48  
8.5    Ignition Electrodes.....49  
8.6    Fuel Nozzle.....51

<b>Section 8</b>	<b>Diesel-Burner Service, Maintenance, and Repair Information</b>	<b>Page</b>
8.7	Fuel Solenoid Valve .....	53
8.8	Fuel Pump.....	55
8.9	Bearings.....	61
8.10	Ignition Coil.....	65
8.11	Diesel-Burner Controller.....	66
<b>Section 9</b>	<b>Warranty Information</b>	
9.1	Warranty Information.....	71
<b>Section 10</b>	<b>Spare Parts List</b>	<b>72</b>
<b>Section 11</b>	<b>Special Tools</b>	<b>73</b>

**Referenced Illustrations**

Figure 1:	Aqua-Hot Hydronic Heating System and Inclusive Components.....	1
Figure 2:	Aqua-Hot Marking Plate.....	2
Figure 4:	Aqua-Hot Interior Switch Panels.....	4
Figure 5:	Electronic Controller.....	5
Figure 6:	Diesel-Burner Component Overview.....	8
Figure 7:	Diesel-Burner Marking Plate.....	13
Figure 8:	Controller Wiring.....	14
Figure 9:	Diesel-Burner Components Requiring Annual Maintenance.....	42
Figure 10:	Detaching and Reattaching the Diesel-Burner Head.....	43
Figure 11:	Diesel-Burner Motor Component Test.....	44
Figure 12:	Diesel-Burner Motor RPM Test.....	45
Figure 13:	Diesel-Burner Motor Replacement.....	47
Figure 14:	Diesel-Burner Motor Replacement (continued).....	47
Figure 15:	Diesel-Burner Flame Sensor Components.....	49
Figure 16:	Diesel-Burner Ignition Electrodes.....	50
Figure 17:	Diesel-Burner Fuel Nozzle.....	52
Figure 18:	Diesel-Burner Fuel Solenoid Valve.....	54
Figure 19:	Diesel-Burner Fuel Pump.....	56
Figure 20:	Diesel-Burner Fuel Pressure Gauge.....	58
Figure 21:	Diesel-Burner Pressure Regulator Adjustment Screw.....	58
Figure 22:	Diesel-Burner Fuel Pump Replacement.....	60
Figure 23:	Diesel-Burner Bearings.....	64
Figure 24:	Diesel-Burner Ignition Coil.....	65
Figure 25:	Diesel-Burner Controller.....	66
Figure 26:	Diesel-Burner Controller Voltage Check.....	67
Figure 27:	Diesel-Burner Controller Replacement.....	70

**Appendix A            Wiring Diagrams**

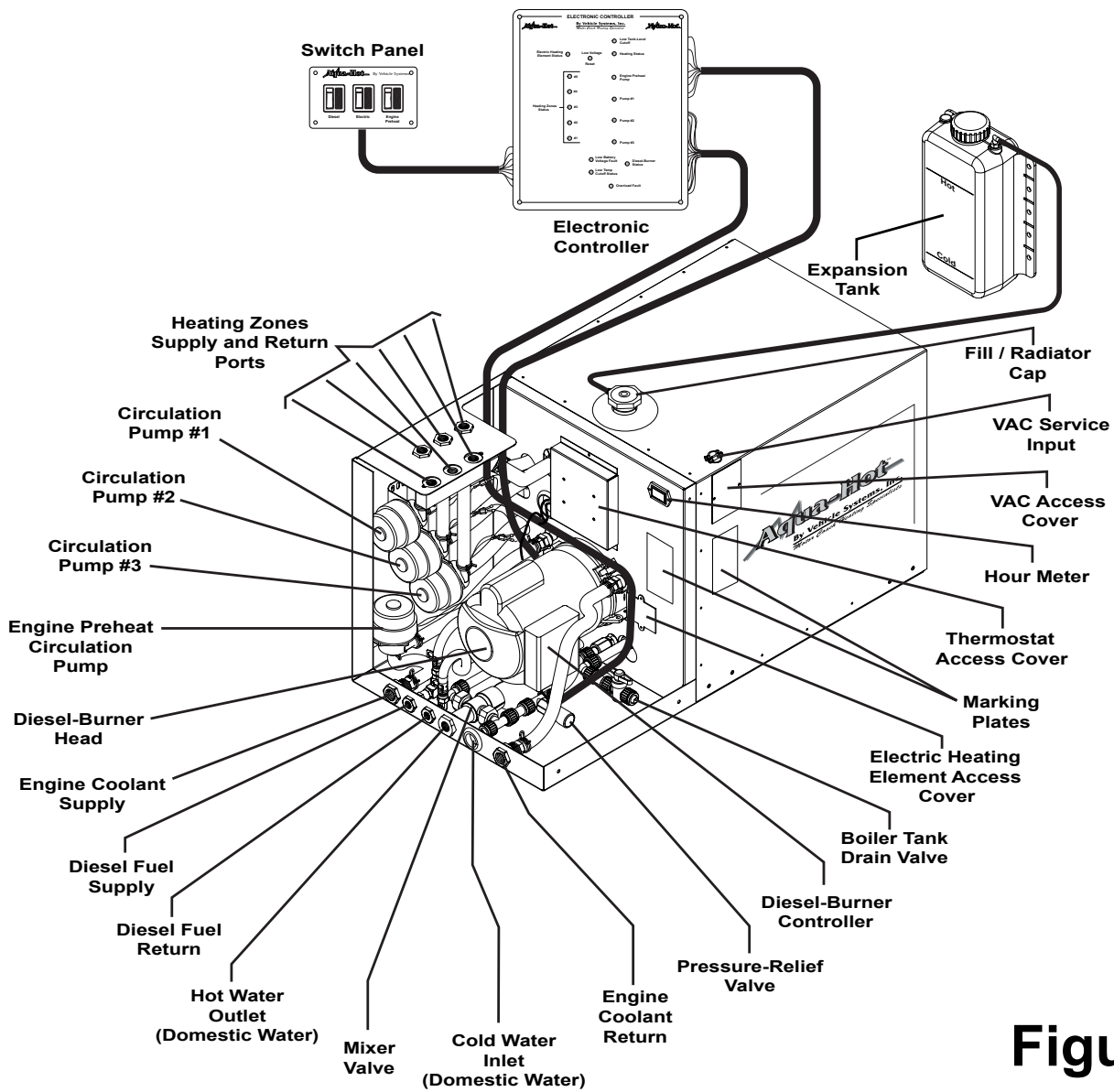
Wiring Information (AHE-100-04S).....	A1
Wiring Information (AHE-120-04X).....	A2
Wiring Information (AHE-130-04X).....	A3

**Appendix B            Illustrations**

Resetting the High-Limit Thermostat.....	B1
Hydronic Heating System Overview.....	B2

**Component Overview**

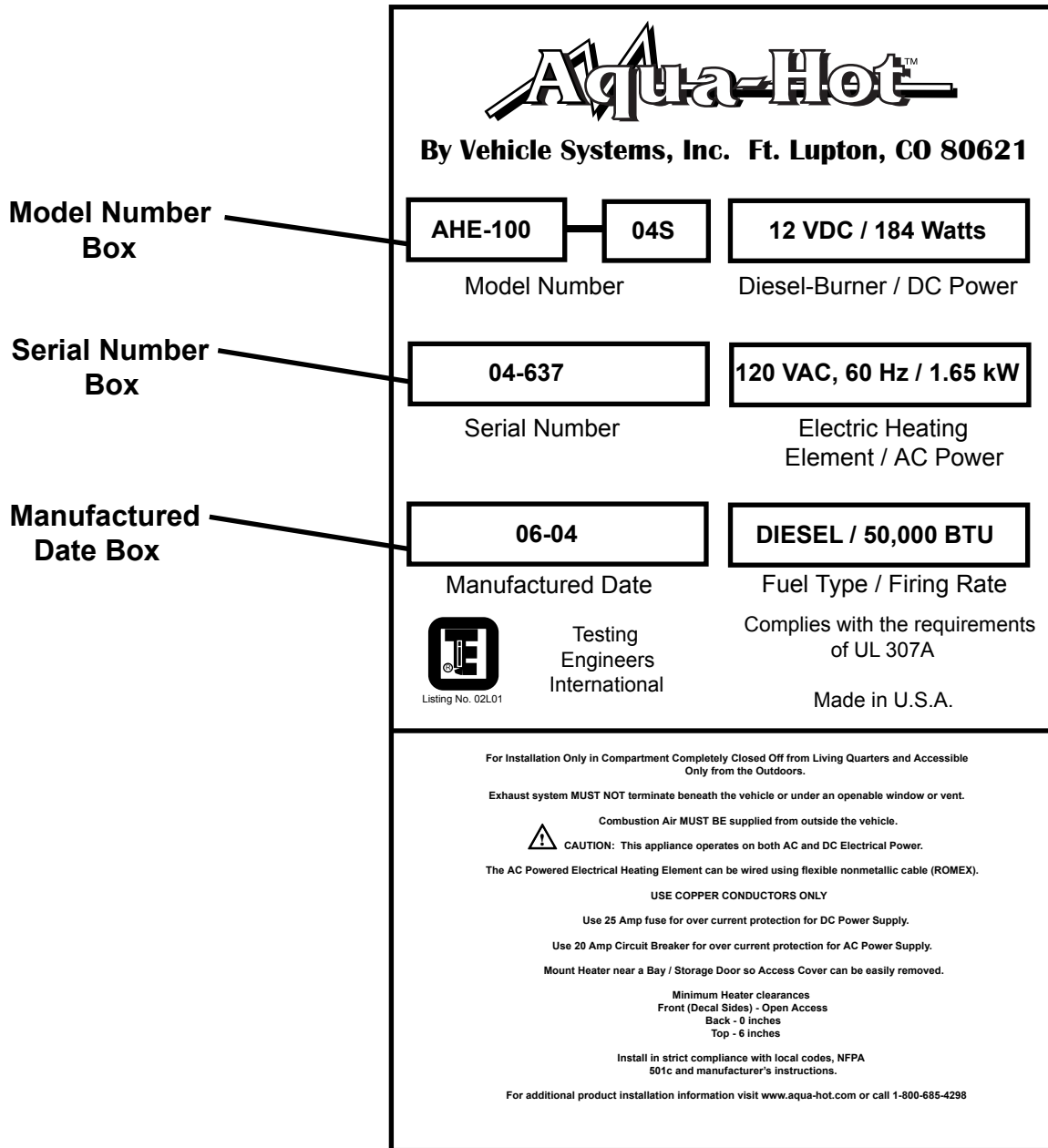
1.1 Component Overview



**Figure 1**

**Marking Plate**

1.2 Marking Plate



**Figure 2**

**Reference Figure 1 for Marking Plate locations.**

**Aqua-Hot Models**

**2.1 Aqua-Hot Model Differentiation**

Vehicle Systems, Inc. manufactures three individual models of the *Aqua-Hot Hydronic Heating System*. The varying factor between these three models is the number of *Electric Heating Elements* featured, as well as the voltage employed by each *Electric Heating Element*. In order to determine which of the following Aqua-Hot models has been employed, locate the *Marking Plate* on the Heating System (reference Figures 1 and 2 for Marking Plate information) and view the *Model* number.

**AHE-100-04S:**

This model features a single 120 VAC/1650 Watt *Electric Heating Element*.

**NOTE: Reference “Appendix A” for Wiring Diagram.**

**AHE-120-04X:**

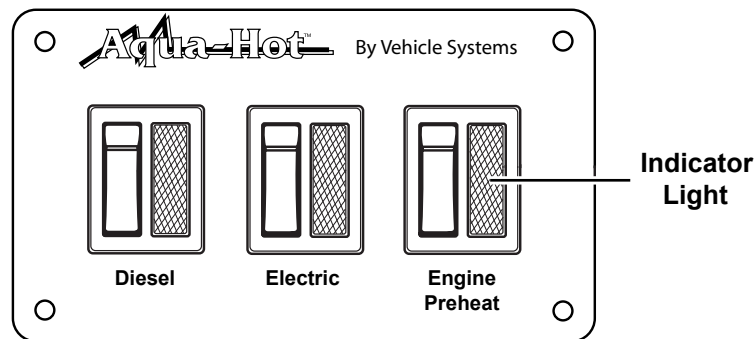
This model features one 120 VAC/1650 Watt *Electric Heating Element* and one 240 VAC/4500 Watt *Electric Heating Element*.

**NOTE: Reference “Appendix A” for Wiring Diagram.**

**AHE-130-04X:**

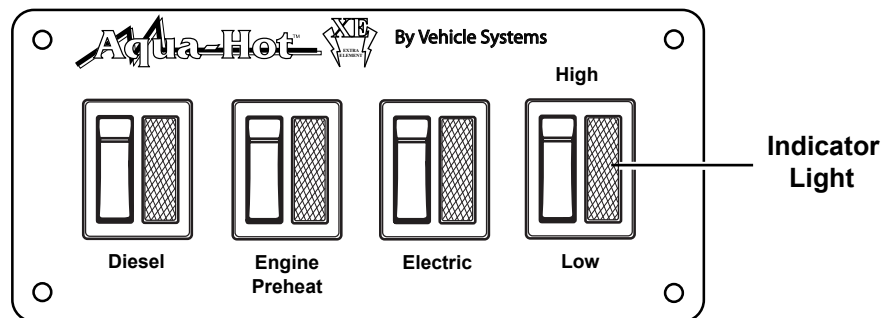
This model features two 120 VAC/2000 Watt *Electric Heating Elements*.

**NOTE: Reference “Appendix A” for Wiring Diagram.**



**AHE-100-04S Model**

**Figure 4**



**AHE-120-04X and AHE-130-04X Models**

## Switch Panel

### 3.1 Interior Switch Panel

The *Interior Switch Panel* serves as an interior means of controlling the separate heating sources of the *Aqua-Hot*, as well as activating the “*Engine Preheat*” system, when necessary. The AHE-120-04X and AHE-130-04X dual element *Heating Systems* feature a “*High/Low*” switch, in addition to the “*Diesel*,” “*Electric*,” and “*Engine Preheat*” switches, as utilized by all three *Aqua-Hot* models; reference Figure 4. Please reference sections 3.2, 3.3, and 3.4 for information regarding the functions of the *Interior Switch Panel*.

### 3.2 Diesel Switch

**Function:** The “*Diesel*” switch activates the *Diesel-Burner*, thereby illuminating the indicator light on the switch; reference Figure 4. This procedure allows the *Diesel-Burner* to operate, which supplies heat to the *Aqua-Hot*’s *Boiler Tank*. The *Diesel-Burner* will heat the *Aqua-Hot System* to the maximum operating temperature (190°F (+/- 5 degrees)) in approximately 10-20 minutes. Please note that the *Diesel-Burner* is the *Aqua-Hot*’s **primary heat source** for heating both the interior and/or the domestic hot water (such as when cool ambient temperatures exist and/or when there is a high demand for domestic hot water). It should also be noted that the “*Diesel*” switch indicator light will turn off anytime the *Diesel-Burner* malfunctions.

Additionally, the “*Diesel*” switch serves as a method of resetting the “*Low Battery Voltage Fault*.” This reset can be accomplished by turning **OFF** the “*Diesel*” switch for approximately 30 seconds, then turning the switch back **ON**; reference Section 4.4 and 4.11.

### 3.3 Electric Switch

**NOTE:** The *Electric Heating Element(s)* is the *Aqua-Hot*’s **secondary heat source** for heating both the interior and/or the domestic hot water during low heating demand situations (such as when moderate ambient temperatures exist and/or when there is a low demand for domestic hot water). This feature is only operational whenever the Motorhome is connected to VAC power or when the generator is operating.

#### AHE-100-04S Model

**Function:** The “*Electric*” switch activates the *Aqua-Hot*’s *Electric Heating Element*, thereby illuminating the indicator light on the switch; reference Figure 4. This procedure allows the *120 VAC Electric Heating Element* to supply heat to the *Aqua-Hot*’s *Boiler Tank*. The *120 VAC Electric Heating Element* will heat the *Aqua-Hot System* to the maximum operating temperature (190°F (+/- 5 degrees)) in approximately 1-2 hours.

#### AHE-120-04X Model

**Function:** The “*Electric*” switch, in conjunction with the “*High/Low*” switch, activates the *Aqua-Hot*’s *Electric Heating Element(s)*, thereby illuminating the indicator light on the switch; reference Figure 4.

#### Low:

The process of moving the “*High/Low*” switch to the “**Low**” position, in conjunction with the activation of the “*Electric*” switch, allows the *120 VAC/1650 Watt Electric Heating Element* to supply heat to the *Aqua-Hot*’s *Boiler Tank*. The *120 VAC/1650 Watt Electric Heating Element* will heat the *Aqua-Hot System* to the maximum operating temperature (190°F (+/- degrees)) in approximately 1-2 hours.

## Switch Panel, continued

### High:

The process of moving the “High/Low” switch to the “**High**” position, in conjunction with the activation of the “Electric” switch, allows both the 120 VAC/1650 Watt and the 240 VAC/4500 Watt Electric Heating Elements to supply heat to the Aqua-Hot’s Boiler Tank. The 120 VAC/1650 Watt and 240 VAC/4500 Watt Electric Heating Elements will heat the Aqua-Hot System to the maximum operating temperature (190°F (+/- 5 degrees)) in approximately 0.5-1 hour.

### AHE-130-04X Model

**Function:** The “Electric” switch, in conjunction with the “High/Low” switch, activates the Aqua-Hot’s Electric Heating Element(s), thereby illuminating the indicator light on the switch; reference Figure 4.

### Low:

The process of moving the “High/Low” switch to the “**Low**” position, in conjunction with the activation of the “Electric” switch, allows one 120 VAC/2000 Watt Electric Heating Element to supply heat to the Aqua-Hot’s Boiler Tank. The 120 VAC/2000 Watt Electric Heating Element will heat the Aqua-Hot System to the maximum operating temperature (190°F (+/- 5 degrees)) in approximately 1-2 hours.

### High:

The process of moving the “High/Low” switch to the “**High**” position, in conjunction with the activation of the “Electric” switch, allows both 120 VAC/2000 Watt Electric Heating Elements to supply heat to the Aqua-Hot’s Boiler Tank. These 120 VAC/2000 Watt Electric Heating Elements will heat the Aqua-Hot System to the maximum operating temperature (190°F (+/- 5 degrees)) in approximately 0.5-1 hour.

## 3.4 Engine Preheat Switch

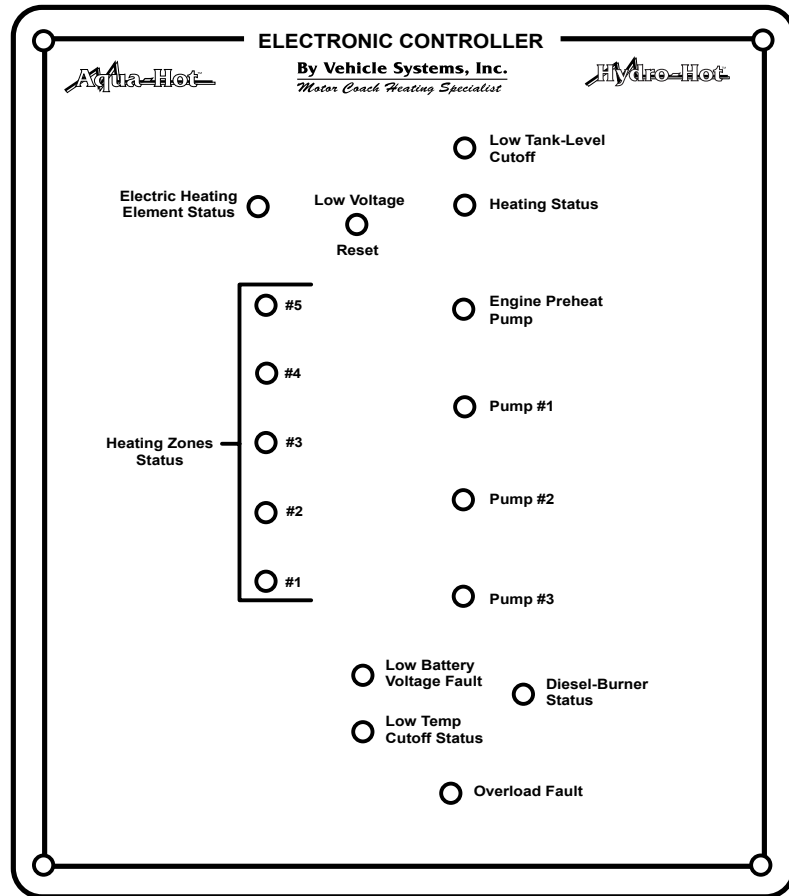
---

**Function:** The “Engine Preheat” switch activates the Aqua-Hot’s Engine Preheat Circulation Pump, thereby illuminating the indicator light on the switch; reference Figure 4. This procedure allows the Engine Preheat Circulation Pump to circulate the engine’s coolant through a separate double-wall copper coil in the Aqua-Hot’s Boiler Tank, resulting in a warm engine for easy start-ups in cool temperatures. Please note that this feature will be effective only if the “Engine Preheat” switch is **ON** in conjunction with either the “Diesel” and/or the “Electric” switch.



## Electronic Controller

### 4.1 Electronic Controller



**Figure 5**

### 4.2 Electric Heating Element Status Indicator Light

This indicator light will illuminate GREEN whenever the Aqua-Hot's 120 VAC *Electric Heating Element* is operating and providing the heat to the Aqua-Hot's *Boiler Tank*; reference Figure 5. Please note that this light will only be active if the "Electric" switch is in the **ON** position; reference Figure 4. If this indicator light illuminates RED, it indicates an electrical or overload condition (i.e., a short) has occurred in the Electric Heating Element's VDC powered circuitry.

### 4.3 Heating Zone Status Indicator Lights

These five indicator lights (separately) will illuminate GREEN whenever a *Zone Thermostat* for a particular zone is calling for heat; reference Figure 5. The GREEN indicator lights also indicate that VDC power is being supplied to the particular interior heating zone's *Heat Exchangers* (i.e., fan motors). If any of the five indicator lights illuminate RED, it indicates that an electrical overload condition (i.e., a short) has occurred in a particular heating zone's circuitry.

**NOTE:** A short, in either a heating zone's *Thermostat* or a heating zone's *Heat Exchanger* circuit, will cause the indicator light to illuminate RED.

## Electronic Controller, continued

### 4.4 Low Voltage Reset

The Aqua-Hot's *Electronic Controller* must be manually reset whenever the *Low Battery Voltage* fault indicator light has been activated; reference Figure 5. The *Electronic Controller* can be manually reset either by depressing the "*Low Voltage Reset*" button located on the *Electronic Controller* (use a thin, straight object to access the reset button through the small hole in the faceplate) or by turning **OFF** the "*Diesel*" switch on the Heater's *Interior Switch Panel* for approximately 30 seconds, then turning the switch back **ON**.

### 4.5 Low Tank-Level Cutoff Indicator Light

This indicator light will illuminate RED when either the *120 VAC Electric Heating Element* and/or the *Diesel-Burner* have automatically shut down due to a low water and antifreeze solution level inside the Aqua-Hot's *Boiler Tank*; reference Figure 5. This fault will automatically reset when the low-level condition is corrected.

### 4.6 Heating Status Indicator Light

This indicator light will illuminate GREEN whenever the Aqua-Hot's *VDC/VAC Control Thermostat* is calling for heat, allowing the water and antifreeze solution in the Aqua-Hot's *Boiler Tank* to be heated by either the *Diesel-Burner* and/or the *120 VAC Electric Heating Element*; reference Figure 5. When this indicator light is off, no heat is being supplied to the Aqua-Hot's *Boiler Tank*. Please note that this light will only be active if either the "*Diesel*" and/or the "*Electric*" switch are turned **ON**; reference Figure 4.

**NOTE:** The Aqua-Hot's *VDC/VAC Control Thermostat* will automatically activate the *Diesel-Burner* and/or the *120 VAC Electric Heating Element* **only** if the "*Diesel*" and/or the "*Electric*" switch is in the **ON** position. In order to heat the motorhome/domestic hot water, simply choose the desired heat source(s) and leave the switch(s) (i.e., "*Diesel*" and/or "*Electric*") **ON**.

### 4.7 Engine Preheat Pump Indicator Light

This indicator light will illuminate GREEN whenever the *Engine Preheat Pump* is operating; reference Figures 1 and 5. Please note that this light will only be active if the "*Engine Preheat*" switch is **ON** in conjunction with either the "*Diesel*" and/or the "*Electric*" switch; reference Figure 4. If this indicator light illuminates RED, it indicates an electrical overload condition (i.e., a short) has occurred in this particular component's circuitry.

### 4.8 Pump #1 Indicator Light

This indicator light will illuminate GREEN whenever *Circulation Pump #1* is operating; reference Figures 1 and 5. Please note that this light will only be active if the Aqua-Hot is at normal operating temperature (i.e., between 160°F and 190°F) and *Heating Zone #1* is calling for heat; reference Appendix A. If this light illuminates RED, it indicates an electrical overload condition (i.e., a short) has occurred in this particular component's circuitry.

### 4.9 Pump #2 Indicator Light

This indicator light will illuminate GREEN whenever *Circulation Pump #2* is operating; reference Figures 1 and 5. Please note that this light will only be active if the Aqua-Hot is at normal operating temperature (i.e., between 160°F and 190°F) and if either *Heating Zones #2, #3, or #4* are calling for heat; reference Appendix A. If this light illuminates RED, it indicates an electrical overload condition (i.e., a short) has occurred in this particular component's circuitry.

### Electronic Controller, continued

#### 4.10 Pump #3 Indicator Light

---

This indicator light will illuminate GREEN whenever *Circulation Pump #3* is operating; reference Figures 1 and 5. Please note that this light will only be active if the *Aqua-Hot* is at normal operating temperature (i.e., between 160°F and 190°F) and *Heating Zone #5* is calling for heat; reference Appendix A. If this light illuminates RED, it indicates an electrical overload condition (i.e., a short) has occurred in this particular component's circuitry.

#### 4.11 Low Battery Voltage Fault Indicator Light

---

This indicator light will illuminate RED whenever the VDC voltage level is too low for the *Aqua-Hot* to operate properly; reference Figure 5. This fault must be manually reset after the voltage level has been restored to the VDC battery system; reference Section 4.4 for reset instructions.

#### 4.12 Low Temp Cutoff Status Indicator Light

---

**NOTE:** This indicator light circuitry is not utilized on these *Aqua-Hot* models.

#### 4.13 Diesel-Burner Status Indicator Light

---

This indicator light will illuminate GREEN whenever the *Aqua-Hot's Diesel-Burner* is operating and supplying heat to the *Aqua-Hot's Boiler Tank*; reference Figures 1 and 5. Please note that this light will only be active if the "Diesel" switch is turned **ON**; reference Figure 4.

#### 4.14 Overload Fault Indicator Light

---

This indicator light will illuminate RED (reference Figure 5) whenever one of the following conditions have occurred:

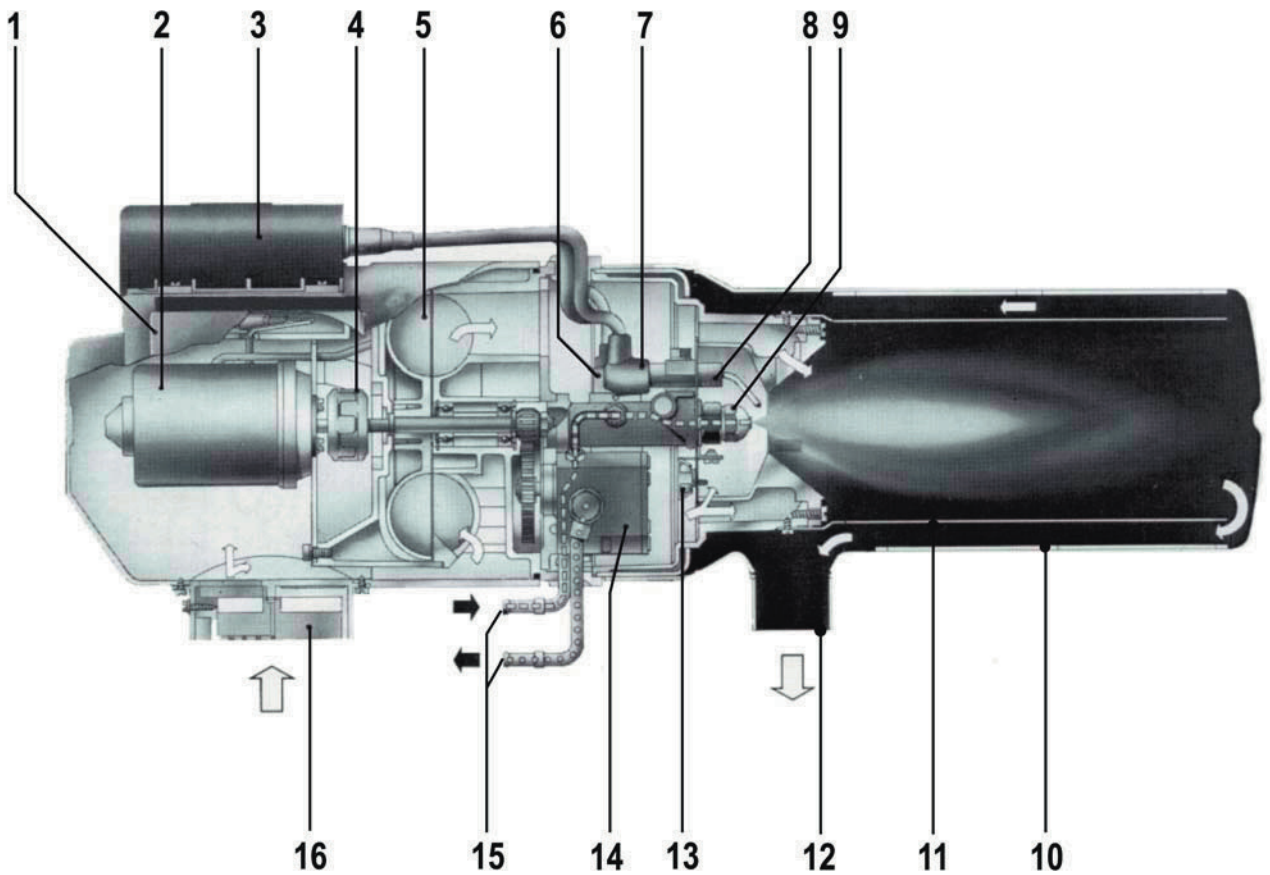
1. The *Aqua-Hot* is off due to an electrical overload (i.e., a short) in the main VDC power supply circuitry.
2. The *Aqua-Hot* is off due to a combination of high electrical VDC power loads and a high surface temperature of the *Electronic Controller*.

The *Electronic Controller* will automatically reset once the electrical overload (i.e., a short) and/or the high heat condition is corrected.

**Component Overview**

5.1 Component Overview

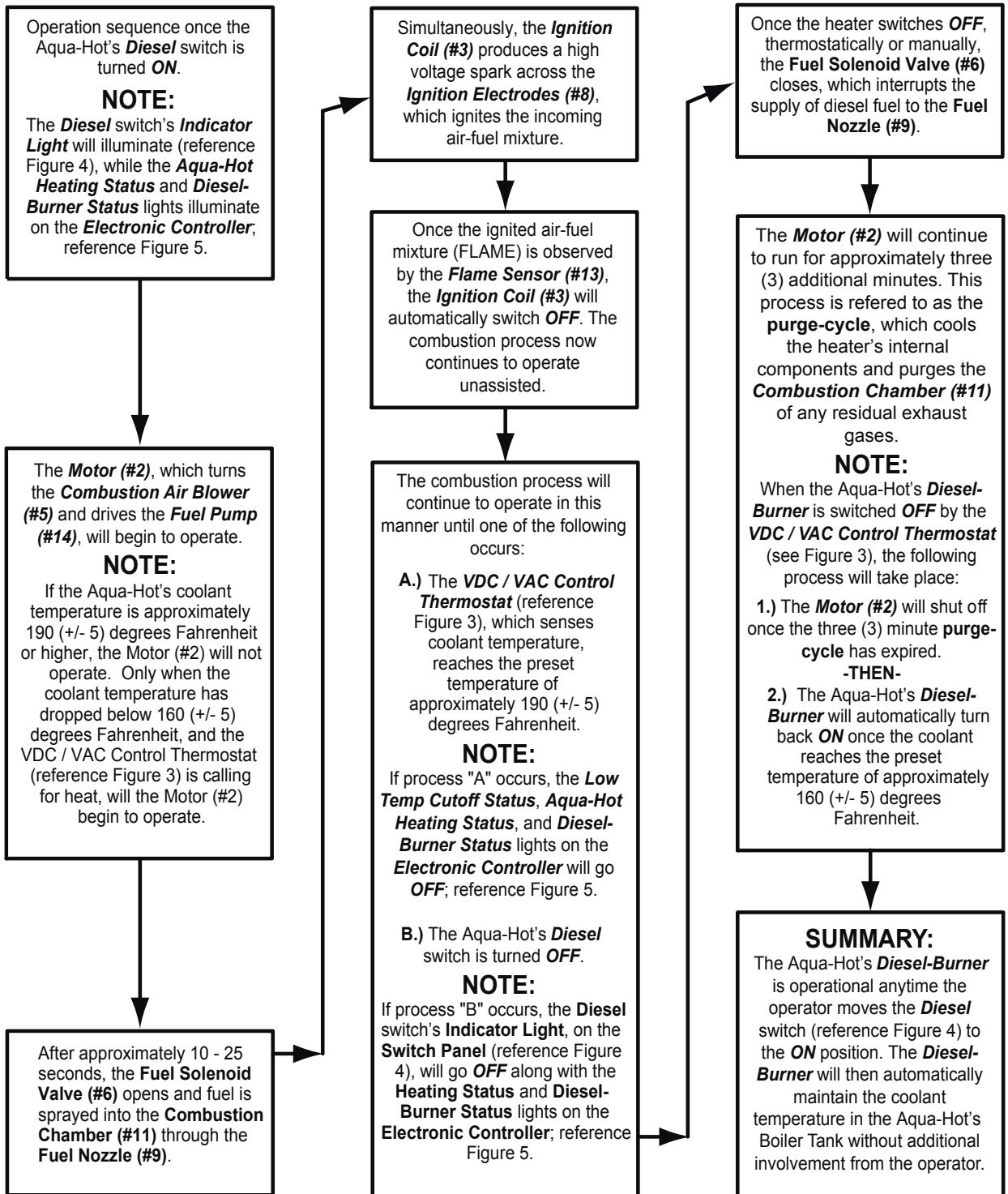
- |                             |   |
|-----------------------------|---|
| 1. Diesel-Burner Controller | 10. Heat Exchanger                                      |
| 2. Motor                    | 11. Combustion Chamber                                  |
| 3. Ignition Coil            | 12. Exhaust Port  |
| 4. Clutch                   | 13. Flame Sensor  |
| 5. Combustion Air Blower    | 14. Fuel Pump   |
| 6. Fuel Solenoid Valve      | 15. Fuel Tubes (Supply / Return)                        |
| 7. Electrode Boots          | 16. Combustion Air Intake Port, with Adjustable Shutter |
| 8. Ignition Electrodes      |   |
| 9. Fuel Nozzle              |   |



**Figure 6**

## Operational Flow-Chart

### 5.2 Operational Flow-Chart

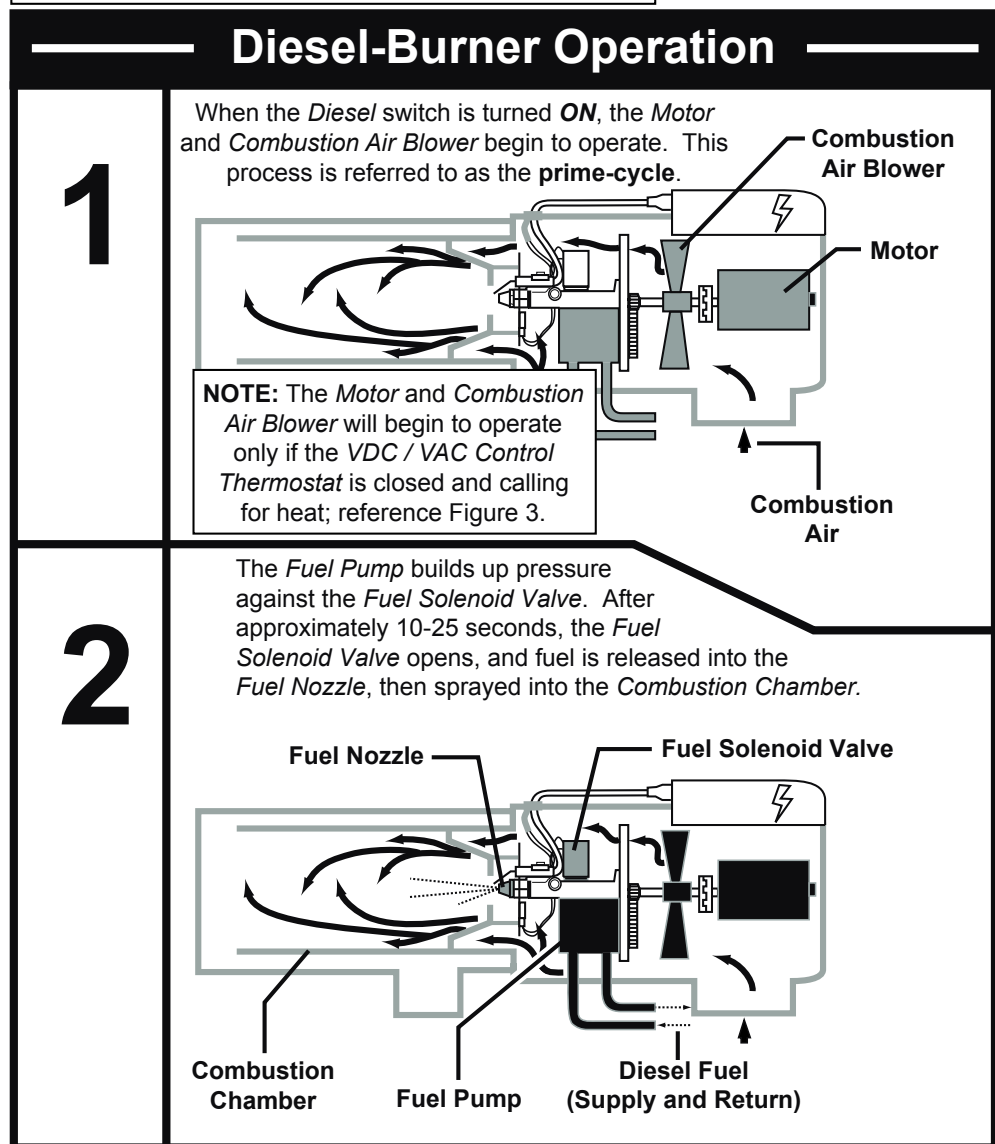
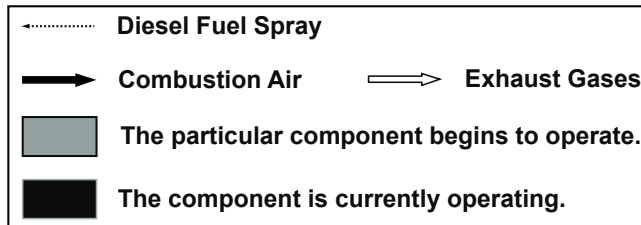


**Operational Sequence**

**5.3 Operational Sequence**

The following sequence illustrates how the Aqua-Hot's *Diesel-Burner* operates once it is activated. Also, if Diesel-Burner malfunctions are experienced, use the following sequence of operating events as a diagnostic tool to determine the point in the Diesel-Burner's operation that the malfunction occurs. Use the "KEY" provided to understand each symbol shown.

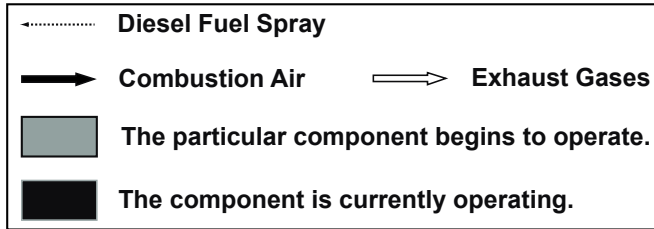
**KEY**



**Operational Sequence, continued**

5.3 Operational Sequence

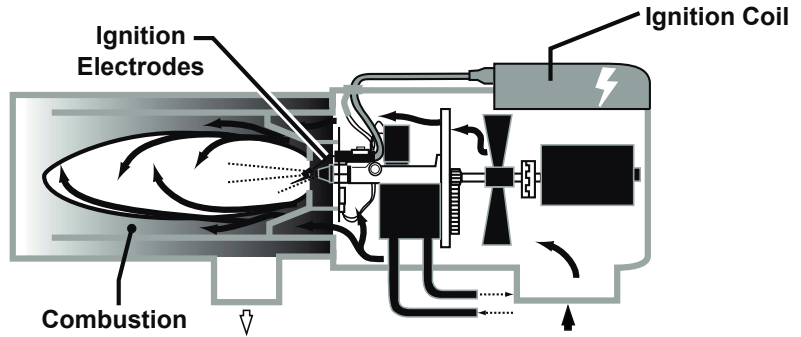
KEY



**Diesel-Burner Operation, continued**

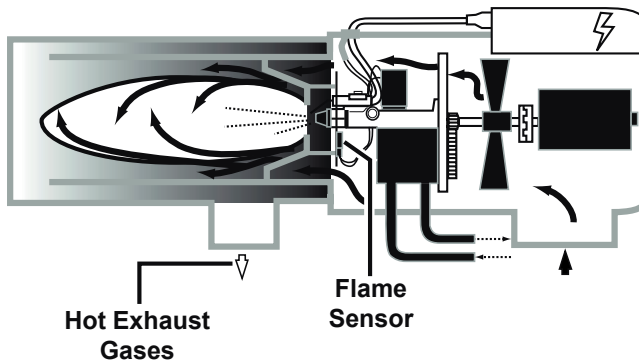
**3**

The *Ignition Coil* produces a high voltage spark, which is transferred across the *Ignition Electrodes*. The incoming air-fuel mixture is then ignited, creating combustion.



**4**

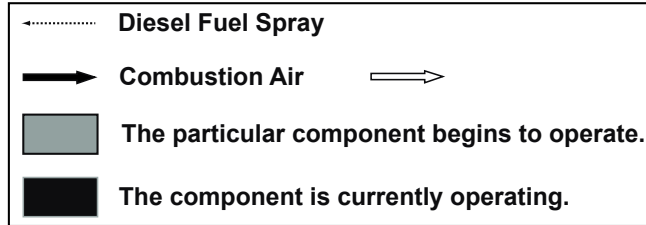
The combustion's flame is detected by the *Flame Sensor* and the *Ignition Coil* is then automatically switched off (no more spark across the *Ignition Electrodes*).



**Operational Sequence, continued**

5.3 Operational Sequence

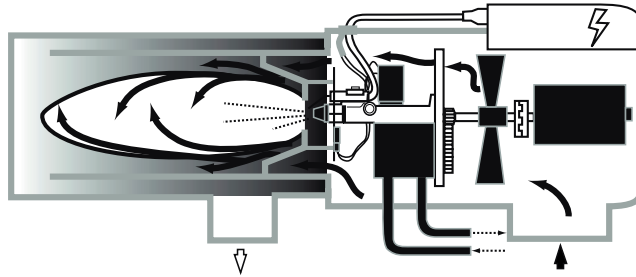
KEY



## Diesel-Burner Operation, continued

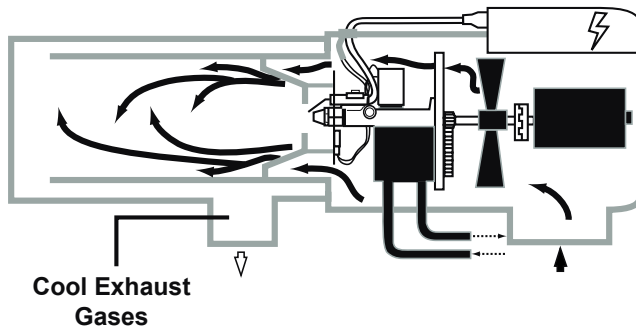
5

The *Diesel-Burner* will continue to produce heat in this manner until it is switched off either manually or by the *VDC / VAC Control Thermostat*, which occurs when the coolant temperature in the Aqua-Hot's *Boiler Tank* reaches 190 (+/- 5) degrees Fahrenheit.



6

Once the *Diesel-Burner* has switched **OFF**, the *Motor and Combustion Air Blower* will continue to operate for approximately 2-3 minutes. This process is referred to as the **purge-cycle**.



**NOTE:** Whenever the *Diesel-Burner* is switched off by the *VDC/VAC Control Thermostat*, it will automatically be reactivated once the Aqua-Hot Boiler Tank's coolant reaches the preset temperature of approximately 160 (+/-) 5 degrees Fahrenheit.



I.D. Plate

5.4 Identification Plate

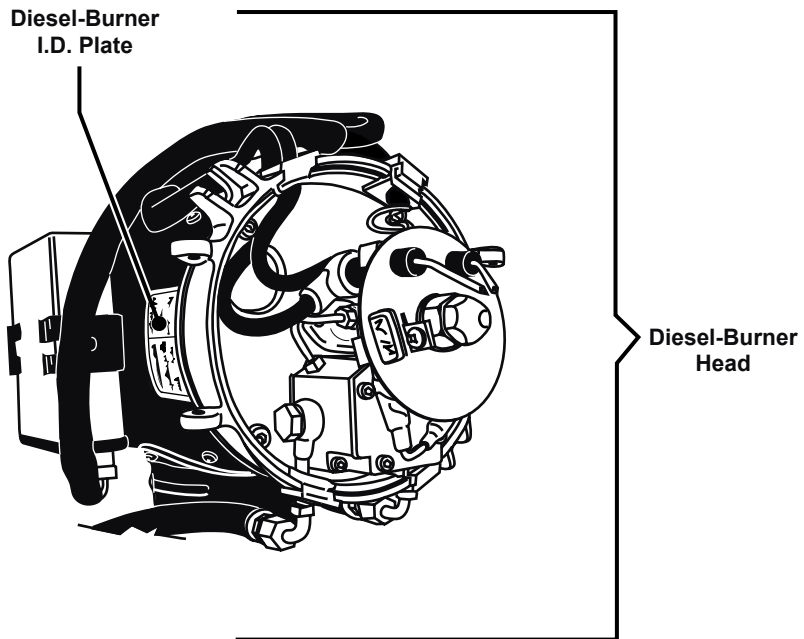
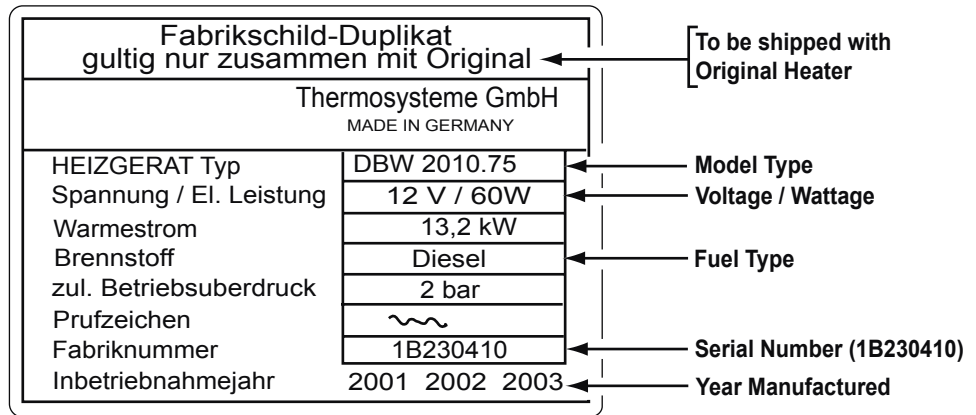
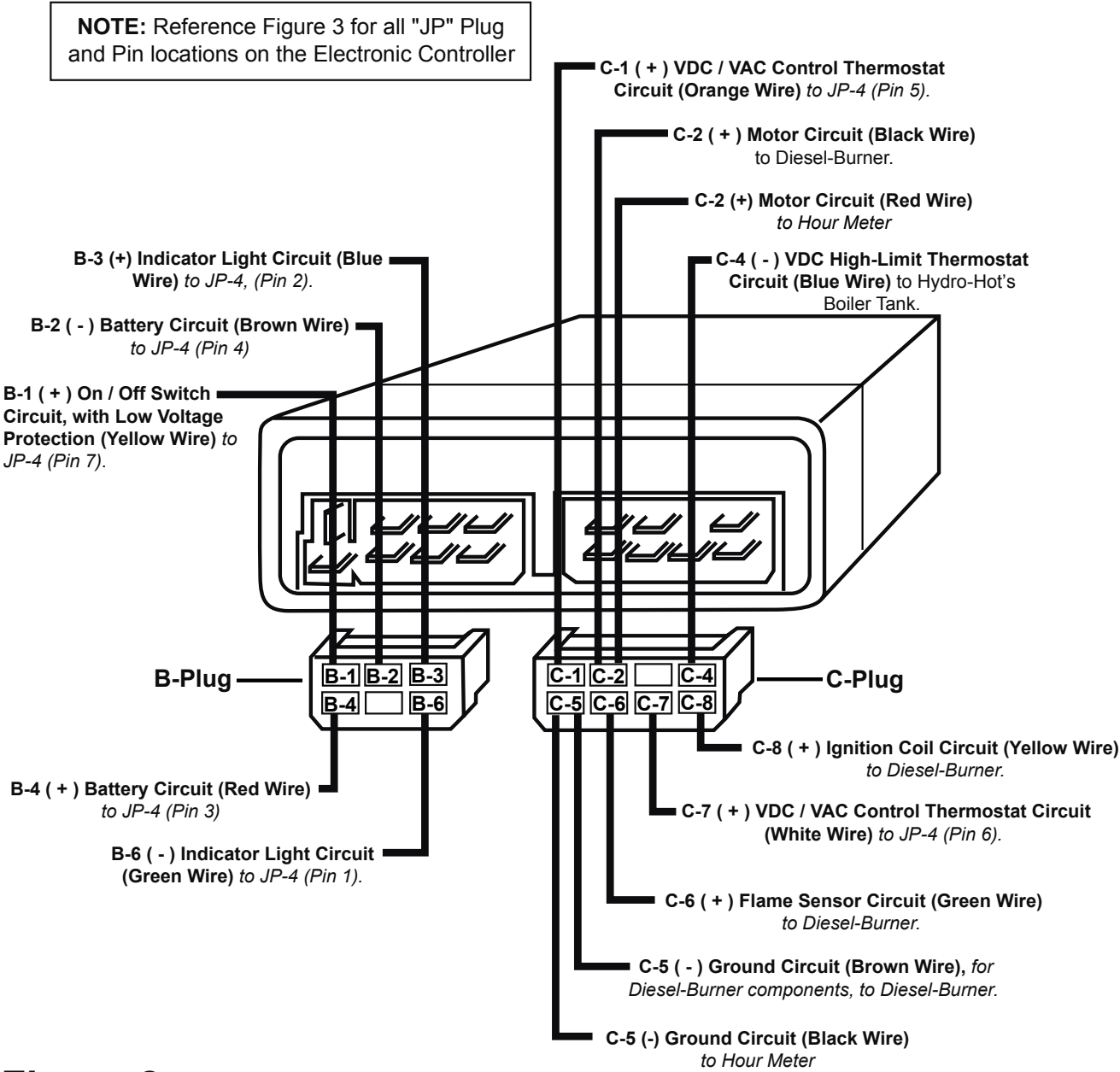


Figure 7

**Controller Wiring**

6.1 Diesel-Burner Controller



**Figure 8**

**Troubleshooting**

This Troubleshooting Section has been separated into various Aqua-Hot Troubleshooting Scenarios, which may be experienced by the heater. Each section listed below begins with the most probable cause and remedy and proceeds to the least probable cause and remedy. This concept has been put in place to expedite the troubleshooting process and pinpoint the problem quicker. However, if additional assistance is needed, please feel free to contact Vehicle Systems' Technical Support Department at 1-800-685-4298 or E-mail the issue to Vehicle Systems' Technical Support Department by going to [www.vehiclesys.com](http://www.vehiclesys.com) and clicking on "Technical Support." Also, please review the following "KEY" prior to troubleshooting, as it may be helpful in understanding the abbreviations used.

**KEY:**

**TS#:** (i.e., TS1, TS2, ....) = Troubleshooting Scenario 1, Troubleshooting Scenario 2, ....  
**Q#:** (i.e., Q1, Q2,....) = Question 1, Question 2, ....  
**A:** = Answer

<u>After turning the "Diesel" switch ON:</u>	<u>Section</u>
TS1 - The Aqua-Hot's <i>Diesel-Burner</i> fails to operate .....	7.1
TS2 - The Aqua-Hot's <i>Diesel-Burner</i> operates (3-minute prime cycle only), but does not ignite .....	7.2
TS3 - The Aqua-Hot's <i>Diesel-Burner</i> ignites after several starting attempts .....	7.3
TS4 - The Aqua-Hot's <i>Exhaust System</i> sputters.....	7.4
TS5 - The Aqua-Hot's <i>Exhaust System</i> produces white smoke after ignition.....	7.5
TS6 - The Aqua-Hot's <i>Exhaust System</i> produces black smoke after ignition.....	7.6
 <u>Other troubleshooting issues:</u>	
TS7 - The Aqua-Hot is at operating temperature, but an <i>Interior and/or Fresh Water Tank Heating Zone</i> is not producing heat .....	7.7
TS8 - The Aqua-Hot is at operating temperature, however the fans of an <i>Interior and/or Fresh Water Heat Exchanger</i> fans are not operating .....	7.8
TS9 - The Aqua-Hot is at operating temperature, but the <i>Domestic Hot Water System</i> is not producing hot water .....	7.9
 <u>After turning the Electric switch ON:</u>	
TS10 - The Aqua-Hot's <i>120 VAC Electric Heating Element</i> does not operate (i.e., lack of hot water and/or interior heat) .....	7.10
 <u>After turning the Engine Preheat switch ON:</u>	
TS11 - The Aqua-Hot's <i>Engine Preheat System</i> does not preheat the engine .....	7.11

**Section 7.1**

After turning the “Diesel” switch ON:

**TS1 : The Aqua-Hot’s Diesel-Burner fails to operate.**

**NOTE (7.1-A):** In order to perform the following checks, it is necessary to locate the Aqua-Hot’s *Electronic Controller* and *Switch Panel*; reference “Illustration 7.1-1.”

**Q1:** Is the Electronic Controller’s *Low Tank-Level Cutoff* light illuminated?

**A:** If YES:  
**Perform each of the following procedures, as necessary, until the problem is resolved.**

If NO:  
**Proceed to Q2.**



**WARNING: DO NOT** remove the Aqua-Hot’s *Radiator Cap* when the heater is at maximum operating temperature; reference Figure 1. Hot coolant can be present, and serious personal injury may result.

- I. Check the coolant level in the Aqua-Hot’s *Expansion Tank* and the *Boiler Tank*, if necessary.
 

**A:** If coolant level is satisfactory:  
**Continue troubleshooting.**

If coolant level is low:  
**Add coolant and attempt heater restart.**
- II. Check for continuity at the *Float Switch*; reference Figure 1 and Appendix A.
 

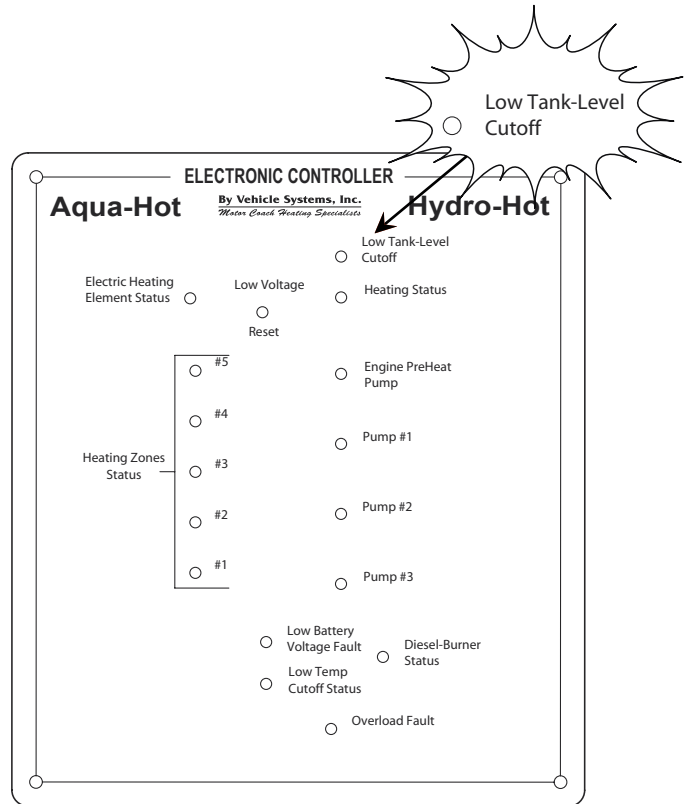
**A:** If continuity exists:  
**Continue troubleshooting.**

If continuity does not exist:  
**The Float Switch must be replaced. Please contact the Technical Support Department at 1-800-685-4298 for assistance.**
- III. Remove the Electronic Controller’s *Faceplate* and use a jumper wire to make a connection from *Pin 15* to *Pin 16* on the *JP-3 Plug*; reference Appendix A.

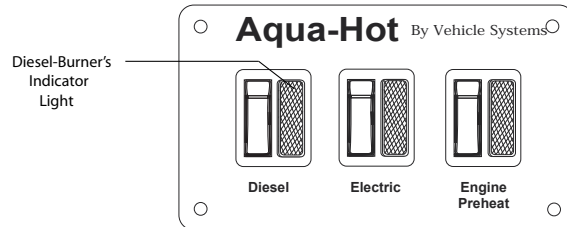
**Does the Emergency Cutoff light go off? (continued on next page)**

**Section 7.1,**  
 continued

**Illustration 7.1-1**



**Electronic Controller Faceplate**



**Switch Panel**

## Section 7.1, continued

A: If YES:

Check the *JP-3 Plug* for loose wire connections and/or harness damage

If NO:

The *Electronic Controller* must be replaced. Please contact the Technical Support Department at 1-800-685-4298 for assistance.

### Q2: Is the Electronic Controller's *Low Battery Voltage Fault* light illuminated?

A: If YES:

Perform each of the following procedures, as necessary, until the problem is resolved.

If NO:

Proceed to Q3.

- I. Remove the Electronic Controller's *Faceplate*. Check the DC battery voltage at the supply batteries and at the Electronic Controller's *Battery Connections*; reference Appendix A. Both voltage readings should be between 11.5 and 14.0 volts.

A: If the voltage level is within specs:

**Continue Troubleshooting.**

If the voltage level is out of specs:

**Recharge and/or replace batteries.**

- II. Reset the *Low Voltage Reset* (button) on the *Electronic Controller* (this can be accomplished either by using a thin, straight object to access the reset button through the small hole in the *Faceplate* or by turning **OFF** the "Diesel" switch on the Heater's Interior Switch Panel for approximately 30 seconds, then turning the switch back **ON**). Continue to read the voltage level at the Electronic Controller's *Battery Connections*, then, turn the "Diesel" switch **ON**.

**Under load, is the voltage level within 0.5 volts of the supply battery's voltage?**

A: If YES:

Reference "NOTE (7.1-B)."

If NO:

**Load-test the supply batteries, (continued in the next column)**

## Section 7.1, continued

inspect battery wiring for damage and/or loose connections, and ensure that all of the Aqua-Hot's electrical motors are operating normally when under load.

**NOTE (7.1-B):** If, after testing and correcting the battery system, the *Low Battery Voltage Fault* indicator light continues to illuminate, and/or the *Low Voltage Reset* (button) will not reset, the *Electronic Controller* must be replaced. Please contact the Technical Support Department at 1-800-685-4298 for assistance.

### Q3: Is the Electronic Controller's *Diesel-Burner Status* light illuminated?

A: If NO:

Perform each of the following procedures, as necessary, until the problem is resolved.

If YES:

**Proceed to Q5.**

- I. Remove the Electronic Controller's *Faceplate*. Use a jumper wire to make a connection from the *Diesel (O)* to the *Diesel (I)* on the *JP-2 Plug*; reference Appendix A.

**Does the *Diesel-Burner Status* light illuminate?**

A: If YES:

The "*Diesel*" switch must be replaced. Please contact the Technical Support Department at 1-800-685-4298 for assistance. Attempt heater restart.

If NO:

**Continue Troubleshooting.**

- II. Turn the "*Diesel*" switch **OFF** (also, make sure the "*Electric*" switch is **OFF**). Use a jumper wire to make a connection from *Pin 13* to *Pin 14* on the *JP-3 Plug*; reference Appendix A. With the jumper wire in place, turn the "*Diesel*" switch **ON**.

**Does the *Diesel-Burner* ignite and the *Diesel-Burner Status* light illuminate?**

A: If YES:

The *VDC/VAC Control Thermostat* (continued on next page)

## Section 7.1, continued

must be replaced; reference Appendix A. Please contact the Technical Support Department at 1-800-685-4298 for assistance.

If NO:

The *Electronic Controller* must be replaced. Please contact the Technical Support Department at 1-800-685-4298 for assistance.

**NOTE (7.1-C):** If no problems were discovered up to this point, the problem most likely lies within the *Diesel-Burner Head*. However, prior to troubleshooting the *Diesel-Burner Head*, please review the “Operational Flow-Chart” in Section 5.2, the “Operational Sequence” in Section 5.3, and the “Function” section for each of the Diesel-Burner Components; reference Sections 8.3 through 8.11. This information may help determine at what point the *Diesel-Burner* fails to operate.

### Q4: Is the Diesel-Burner's Motor operating?

**Quick Check:** Listen at the heater for the Diesel-Burner's *Motor* to operate or check for output air at the heater's exhaust pipe.

**A:** If the *Motor* does not seem to be operating:

**Reference Section 8.3 and perform the Motor's "Component Test."**

If the *Motor* is operating:

**Continue troubleshooting.**

### Q5: Is the Diesel-Burner Controller functioning properly?

**I.** In order to determine if the *Diesel-Burner Controller* is functioning properly, reference Section 8.11 and perform the Controller's "Component Test."

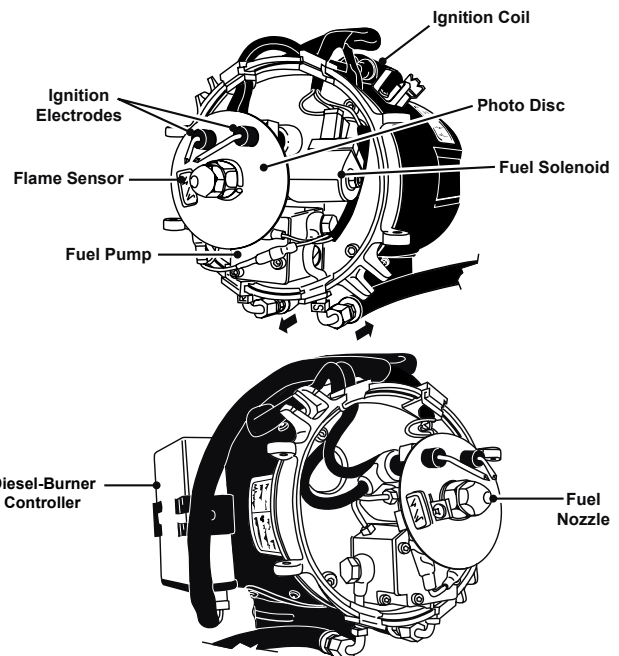
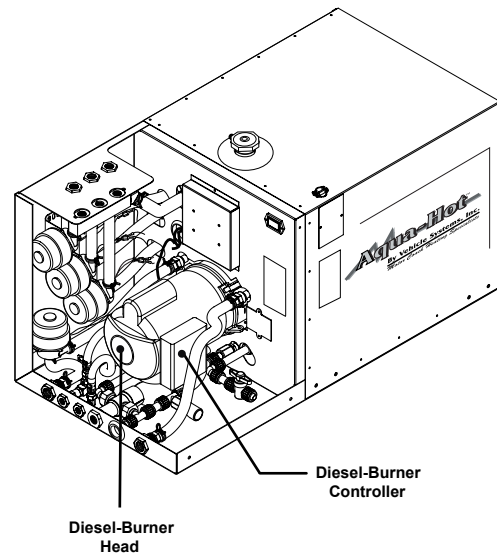
**A:** If the *Diesel-Burner Controller* is not functioning properly:

**The Controller must be replaced; reference Section 8.11 for replacement instructions.**

If the *Controller* is functioning properly:  
**Reference "NOTE (7.1-D)."**

## Section 7.1, continued

### Illustration 7.1-2



## Section 7.1, continued

**NOTE (7.1-D):** If the *Aqua-Hot* still does not operate after performing all of the listed checks, contact the Technical Support Department at **1-800-685-4298** for additional assistance.

## Section 7.2

**After turning the “Diesel” switch ON:**

**TS2: The Aqua-Hot’s Diesel-Burner operates (3-minute prime cycle only) but does not ignite.**

### NOTES (7.2-A):

- A.** It is ideal to have the Aqua-Hot’s *Fuel Filter* replaced yearly; reference Section 8.1. A plugged *Fuel Filter* will not allow the *Diesel-Burner* to operate properly. Also, before proceeding to the following procedures, be sure to check that the vehicle’s fuel tank has a sufficient level of fuel.
- B.** In order to perform some of the following procedures, it may be necessary to detach the *Diesel-Burner Head* from the *Aqua-Hot*. Therefore, be sure to reference Section 8.2 for detaching and reattaching instructions.

**Q1: Has the Aqua-Hot’s VDC High-Limit Thermostat tripped?**

- I.** Locate the *VDC High-Limit Thermostat* and check for continuity; reference Figure 1 and Appendix B.

**Is continuity present?**

**A:** If YES:

**Proceed to Q2.**

If NO:

**Press the red reset button located on the VDC High-Limit Thermostat and attempt heater restart.**

**NOTE (7.2-B):** Although the *Diesel-Burner* is now functioning, be sure to perform the following steps until the cause for overheating has been discovered and corrected. Failure to do so could result in additional overheating incidents.

## Section 7.2, continued

- II.** Turn the “*Diesel*” switch **ON** and allow the *Aqua-Hot* to reach operating temperature (i.e., until the *Diesel-Burner* cycles **OFF**). Locate both the *VDC High-Limit Thermostat* and the *VAC/VDC Control Thermostat* and check them for continuity; reference Figure 1 and Appendix B.

**A:** If there is no continuity at the *VDC High-Limit Thermostat*, but there is continuity at the *VAC/VDC Control Thermostat*:

**The VAC/VDC Control Thermostat must be replaced. Please contact the Technical Support Department at 1-800-685-4298 for assistance.**

If there is continuity at the *VDC High-Limit Thermostat*, but none at the *VAC/VDC Control Thermostat*:

**The overheat condition may have been caused by another faulty component, and no further troubleshooting is necessary; reference “NOTE (7.2-C)” and please contact the Technical Support Department at 1-800-685-4298 for additional assistance.**

**NOTE (7.2-C):** If the *VDC High-Limit Thermostat* continues to trip, and no overheating problems were discovered (i.e., faulty *VAC/VDC Control Thermostat* or *Diesel-Burner Controller*), it may be that the *VDC High-Limit Thermostat* is not operating properly and may need to be replaced.

**Q2: Is the Diesel-Burner’s Fuel Nozzle functioning properly?**

- I.** In order to determine if the *Fuel Nozzle* is functioning properly, reference Section 8.6 and perform the *Fuel Nozzle*’s “Component Test.”

**A:** If the *Fuel Nozzle* is not functioning properly:

**The Fuel Nozzle must be replaced; reference Section 8.6 for replacement instructions.**

If the *Fuel Nozzle* is functioning properly:  
**Continue troubleshooting.**

**Section 7.2,**  
continued

**Q3:** Is the Diesel-Burner's *Fuel Solenoid Valve* functioning properly?

I. In order to determine if the *Fuel Solenoid Valve* is functioning properly, reference Section 8.7 and perform the Fuel Solenoid Valve's "Component Test."

A: If the *Fuel Solenoid Valve* is not functioning properly:

**The *Fuel Solenoid Valve* must be replaced; reference Section 8.7 for replacement instructions.**

If the *Fuel Solenoid Valve* is functioning properly:

**Continue troubleshooting.**

**Q4:** Is the *Diesel-Burner Controller* functioning properly?

I. In order to determine if the *Controller* is functioning properly, reference Section 8.11 and perform the Controller's "Component Test."

A: If the *Controller* is not functioning properly:

**The *Controller* must be replaced; reference Section 8.11 for replacement instructions.**

If the *Controller* is functioning properly:

**Continue troubleshooting.**

**Q5:** Is the Diesel-Burner's *Ignition Coil* functioning properly?

I. In order to determine if the *Ignition Coil* is functioning properly, reference Section 8.10 and perform the Ignition Coil's "Component Test."

A: If the *Ignition Coil* is not functioning properly:

**The *Ignition Coil* must be replaced; reference Section 8.10 for replacement instructions.**

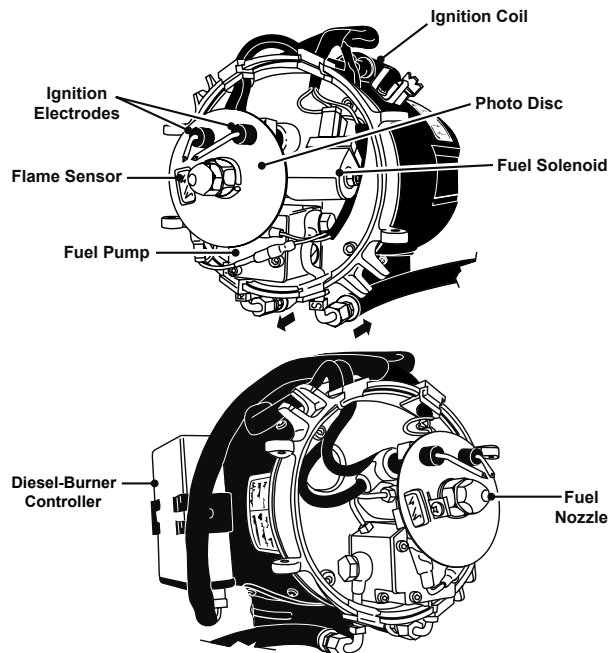
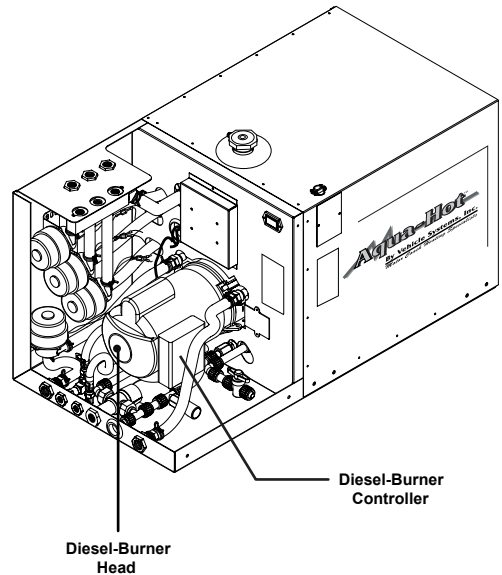
If the *Ignition Coil* is functioning properly:

**Continue troubleshooting.**

**Q6:** Are the Diesel-Burner's *Ignition Electrodes* in good condition and properly adjusted?  
(continued on next page)

**Section 7.2,**  
continued

**Illustration 7.2-1**





**Section 7.2,**  
continued

- I. In order to determine if the *Ignition Electrodes* are in good condition and properly adjusted, reference Section 8.5.
- A: If the *Ignition Electrodes* are in poor condition:  

**The *Ignition Electrodes* must be replaced; reference Section 8.5 for replacement instructions.**

If the *Ignition Electrodes* are not properly adjusted:  
**Adjust the *Ignition Electrodes*; reference Section 8.5 for adjustment instructions.**

If the *Ignition Electrodes* are both in good condition and properly adjusted:  
**Continue troubleshooting.**

**Q7:** Is the Diesel-Burner's *Flame Sensor* functioning properly?

- I. In order to determine if the *Flame Sensor* is functioning properly, reference Section 8.4 and perform the *Flame Sensor's* "Component Test."
- A: If the *Flame Sensor* is not functioning properly:  

**The *Flame Sensor* must be replaced; reference Section 8.4 for replacement instructions.**

If the *Flame Sensor* is functioning properly:  
**Continue troubleshooting.**

**Q8:** Is the Diesel-Burner's *Fuel Pump* functioning properly?

- I. In order to determine if the *Fuel Pump* is functioning properly, reference Section 8.8 and perform the *Fuel Pump's* "Component Test."
- A: If the *Fuel Pump* is not functioning properly:  

**The *Fuel Pump* must be replaced; reference Section 8.8 for replacement instructions.**

If the *Fuel Pump* is functioning properly:  
**Reference "NOTE (7.2-D)."**

**Section 7.2,**  
continued

**NOTE (7.2-D):** If the *Aqua-Hot* still does not ignite after performing all of the listed checks, contact the Technical Support Department at **1-800-685-4298** for additional assistance.

**Section 7.3**

After turning the "Diesel" switch ON:

**TS3:** The *Aqua-Hot's Diesel-Burner* ignites after several starting attempts.

**NOTES (7.3-A):**

- A. It is ideal to have the *Aqua-Hot's Fuel Filter* replaced yearly; reference Section 8.1. A plugged *Fuel Filter* will not allow the *Diesel-Burner* to operate properly. Also, before proceeding to the following procedures, be sure to check that the vehicle' fuel tank has a sufficient level of fuel
- B. In order to perform the following procedures, it is necessary to detach the *Diesel-Burner Head* from the *Aqua-Hot*. Be sure to reference Section 8.2 for detaching and reattaching instructions.

**Q1:** Is the Diesel-Burner's *Fuel Nozzle* functioning properly?

- I. In order to determine if the *Fuel Nozzle* is functioning properly, reference Section 8.6 and perform the *Fuel Nozzle's* "Component Test."
- A: If the *Fuel Nozzle* is not functioning properly:  

**The *Fuel Nozzle* must be replaced; reference Section 8.6 for replacement instructions.**

If the *Fuel Nozzle* is functioning properly:  
**Continue troubleshooting.**

**Section 7.3,**  
continued

**Q2:** Is the Diesel-Burner's *Flame Sensor* functioning properly?

I. In order to determine if the *Flame Sensor* is functioning properly, reference Section 8.4 and perform the *Flame Sensor's* "Component Test."

A: If the *Flame Sensor* is not functioning properly:

**The *Flame Sensor* must be replaced; reference Section 8.4 for replacement instructions.**

If the *Flame Sensor* is functioning properly:

**Continue troubleshooting.**

**Q3:** Are the Diesel-Burner's *Ignition Electrodes* in good condition and properly adjusted?

I. In order to determine if the *Ignition Electrodes* are in good condition and properly adjusted, reference Section 8.5.

A: If the *Ignition Electrodes* are in poor condition:

**The *Ignition Electrodes* must be replaced; reference Section 8.5 for replacement instructions.**

If the *Ignition Electrodes* are not properly adjusted:

**Adjust the *Ignition Electrodes*; reference Section 8.5 for adjustment instructions.**

If the *Ignition Electrodes* are both in good condition and properly adjusted:

**Continue troubleshooting.**

**Q4:** Is the Diesel-Burner's *Fuel Pump* functioning properly?

I. In order to determine if the *Fuel Pump* is functioning properly, reference Section 8.8 and perform the *Fuel Pump's* "Component Test."

A: If the *Fuel Pump* is not functioning properly:

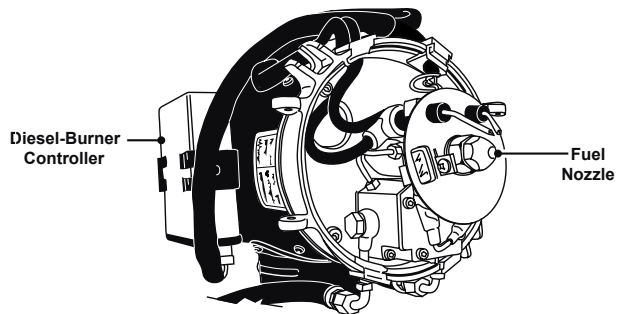
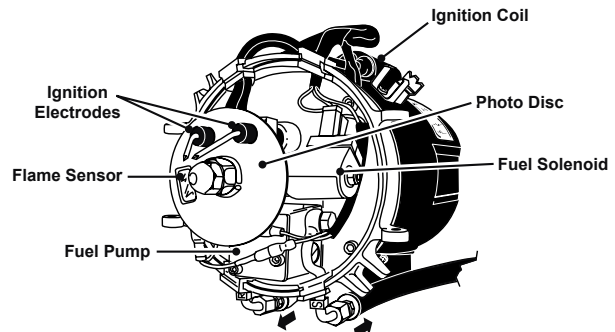
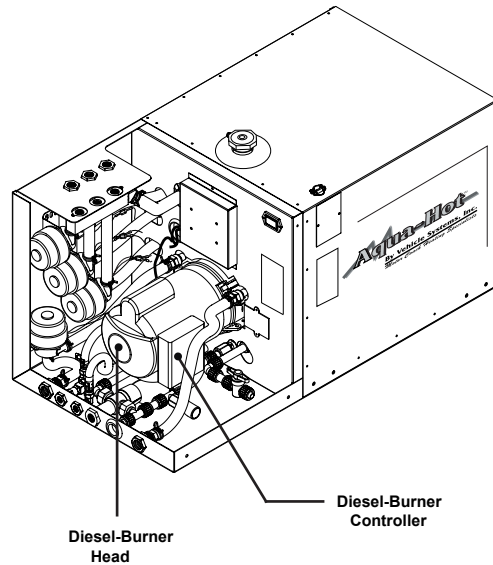
**The *Fuel Pump* must be replaced; reference Section 8.8 for replacement instructions.**

If the *Fuel Pump* is functioning properly:

**Continue troubleshooting.**

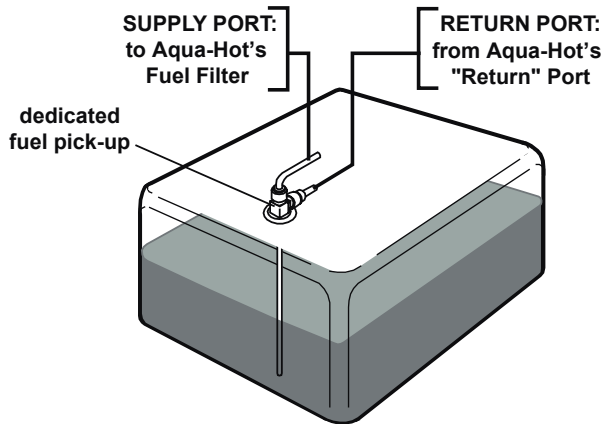
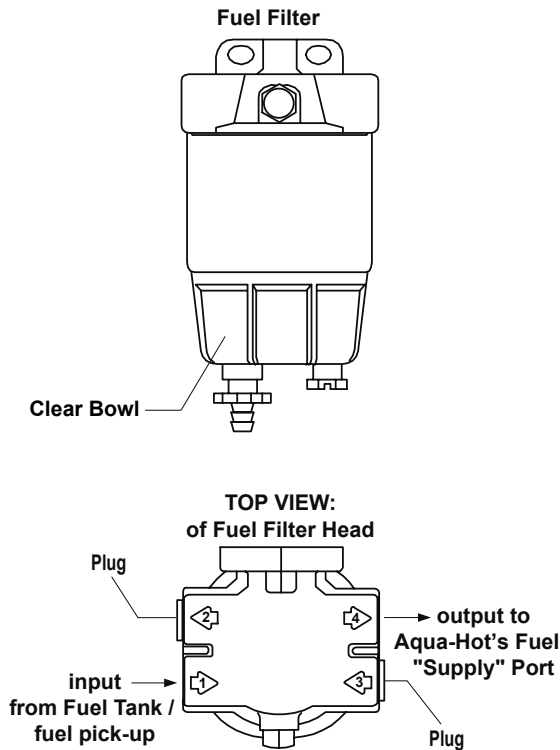
**Section 7.3,**  
continued

**Illustration 7.3-1**



Section 7.3,  
continued

Illustration 7.3-2



Fuel Pick-up Pipe Illustration

Section 7.3,  
continued

**Q5:** Is the Diesel-Burner's *Fuel Supply System* functioning properly?

**Quick Check:** With the *Diesel-Burner* ignited, listen for constant sputtering from the Aqua-Hot's exhaust system.

**A:** If constant sputtering exists:  
**Continue troubleshooting.**  
If constant sputtering does not exist:  
**Proceed to Q6.**

**NOTE (7.3-B):** Inspect the clear bowl of the *Fuel Filter* for water. If water exists, be sure to purge the Aqua-Hot's entire fuel system prior to replacing the *Fuel Filter*. Attempt heater restart; reference "Illustration 7.3-2."

**I.** Clamp off and remove the Aqua-Hot's *Fuel Return Line*; reference Figure 1. Now attach a short piece of fuel line to the Aqua-Hot's *Fuel Return Port* and place the other end in a container of diesel fuel. Remove the clamp and ensure that the fuel line is completely submerged in the fuel, then, turn the "Diesel" switch **ON**.

**Are air bubbles visible in the container of fuel when the Diesel-Burner is operating?**

**A:** If air bubbles are not visible:  
**Proceed to Q6.**  
If air bubbles are visible:  
**You will need to inspect the fuel system (supply side) for air leaks. Therefore, be sure to perform the inspections listed below until the air leak has been detected:**

1. Inspect the fuel system (supply side) from the vehicle's fuel tank to the *Diesel-Burner*. Inspect the fuel system for loose fuel connections at the *Aqua-Hot* and *Diesel-Burner*, as well as the vehicle's fuel tank. Tighten, if necessary. Also, check that all Fuel Filter Head fittings are securely tightened; reference "NOTE (7.3-C)."

**Section 7.3,**  
continued

**NOTE (7.3-C):** Be sure to check that each fitting at the *Fuel Filter Head* contains thread sealant. A fitting without thread sealant could result in an air leak. Be sure to clamp off both fuel lines at the filter head prior to any fitting removal. If fittings are removed and reinstalled, be sure to remove the fuel line clamps prior to attempting a heater restart. Failure to do so could result in serious damage to the Diesel-Burner's *Fuel Pump*.

2. Once the potential air leak has been discovered and corrected, reattach the Aqua-Hot's *Fuel Return Line* and attempt heater restart. Does the Aqua-Hot's exhaust system still sputter?

If the exhaust system is still sputtering:  
**Continue performing air leak inspections until all air leaks have discovered and corrected.**

**Q6:** Is the Diesel-Burner's *Controller* functioning properly?

- I. In order to determine if the *Controller* is functioning properly, reference Section 8.11 and perform the *Controller's* "Component Test."

**A:** If the *Controller* is not functioning properly:  
**The Controller must be replaced; reference Section 8.11 for replacement instructions.**

If the *Controller* is functioning properly:  
**Continue troubleshooting.**

**Q7:** Is the Diesel-Burner's *Ignition Coil* functioning properly?

- I. In order to determine if the *Ignition Coil* is functioning properly, reference Section 8.10 and perform the *Ignition Coil's* "Component Test."

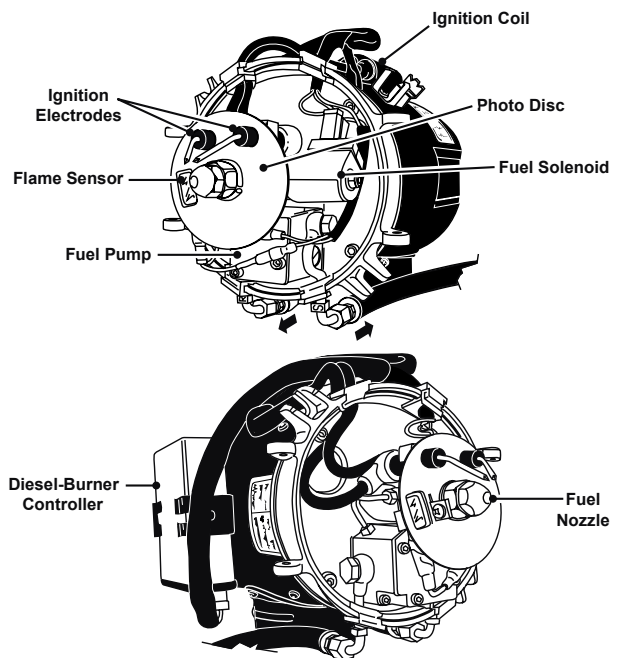
**A:** If the *Ignition Coil* is not functioning properly:  
**The Ignition Coil must be replaced; reference Section 8.10 for replacement instructions. (continued in the next column)**

**Section 7.3,**  
continued

**Illustration 7.3-3**

If the *Ignition Coil* is functioning properly:  
**Reference "NOTE (7.3-D)."**

**NOTE (7.3-D):** If the *Aqua-Hot* still does not ignite after several starting attempts and all of the listed checks were performed, contact the Technical Support Department at **1-800-685-4298** for additional assistance.



Section 7.4

After turning the “Diesel” switch ON:

TS4: The Aqua-Hot’s exhaust system sputters.

**NOTE (7.4-A):** Before advancing to the following procedures, be sure to check that the vehicle’s fuel tank has a sufficient level of fuel.

**Q1:** Is the Diesel-Burner’s *Fuel Nozzle* functioning properly?

I. In order to determine if the *Fuel Nozzle* is functioning properly, reference Section 8.6 and perform the Fuel Nozzle’s “Component Test.”

**A:** If the *Fuel Nozzle* is not functioning properly:  
**The Fuel Nozzle must be replaced; reference Section 8.6 for replacement instructions.**  
 If the *Fuel Nozzle* is functioning properly:  
**Continue troubleshooting.**

**Q2:** Is the Diesel-Burner’s *Fuel Supply System* functioning properly?

**Quick Check:** With the *Diesel-Burner* ignited, listen for constant sputtering from the Aqua-Hot’s exhaust system.

**A:** If constant sputtering exists:  
**Continue troubleshooting.**

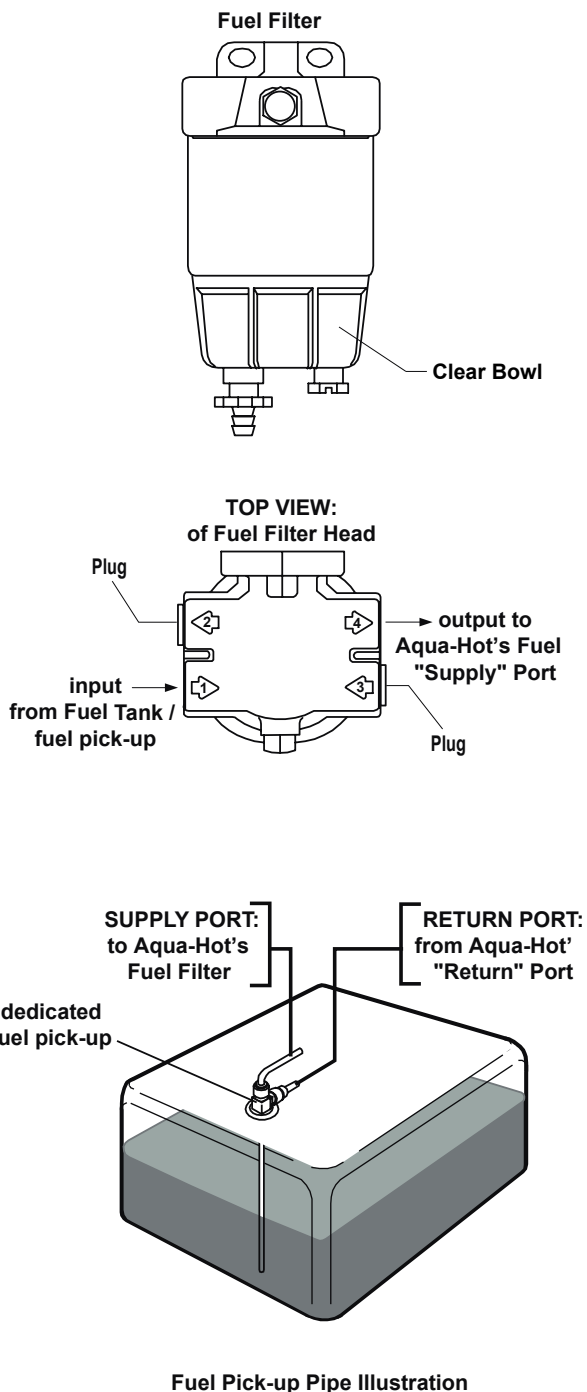
**NOTE (7.4-B):** Inspect the clear bowl of the *Fuel Filter* for water. If water exists, be sure to purge the Aqua-Hot’s entire fuel system prior to replacing the *Fuel Filter*. Attempt heater restart; reference “Illustration 7.4-1.”

I. Clamp off and remove the Aqua-Hot’s *Fuel Return Line*; reference Figure 1. Now attach a short piece of fuel line to the Aqua-Hot’s *Fuel Return Port* and place the other end in a container of diesel fuel. Remove the clamp and ensure that the fuel line is completely submersed in the fuel, then, turn the “Diesel” switch **ON**.

**Are air bubbles visible in the container of fuel when the Diesel-Burner is operating?**  
 (continued on next page)

Section 7.4, continued

Illustration 7.4-1



**Section 7.4,**  
continued

**A:** If air bubbles are not visible:  
**Reference "NOTE (7.4-D)."**

If air bubbles are visible:  
**You will need to inspect the fuel system (supply side) for air leaks. Therefore, be sure to perform the inspections listed below until the air leak has been detected:**

1. **Inspect the fuel system (supply side) from the vehicle's fuel tank to the Diesel-Burner. Inspect the fuel system for loose fuel connections at the Aqua-Hot and Diesel-Burner, as well as the vehicle's fuel tank. Tighten, if necessary. Also, check that all Fuel Filter Head fittings are securely tightened; reference "NOTE (7.4-C)."**

**NOTE (7.4-C):** Be sure to check that each fitting at the *Fuel Filter Head* contains thread sealant. A fitting without thread sealant could result in an air leak. Be sure to clamp off both fuel lines at the filter head prior to any fitting removal. If fittings are removed and reinstalled, be sure to remove both clamps prior to attempting a heater restart. Failure to do so could result in serious damage to the Diesel-Burner's *Fuel Pump*.

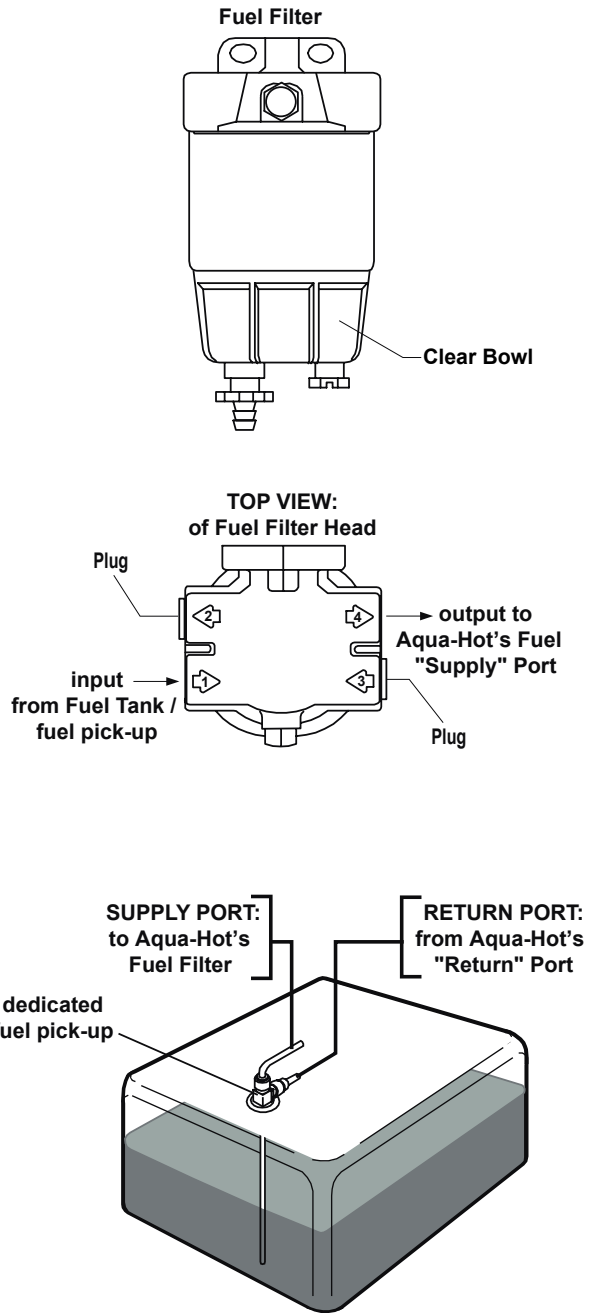
2. **Once the potential air leak has been discovered and corrected, reattach the Aqua-Hot's Fuel Return Line and attempt heater restart. Does the Aqua-Hot's exhaust system still sputter?**

If the exhaust system is still sputtering:  
**Continue performing air leak inspections until all air leaks have been discovered and corrected.**

**NOTE (7.4-D):** If the Aqua-Hot's exhaust system still sputters after performing all of the listed checks, contact the Technical Support Department at **1-800-685-4298** for additional assistance.

**Section 7.4,**  
continued

**Illustration 7.4-2**



Fuel Pick-up Pipe Illustration

## Section 7.5

After turning the “Diesel” switch ON:

**TS5:** The Aqua-Hot’s exhaust system produces white smoke after ignition.

**Q1:** Is the Diesel-Burner’s *Fuel Nozzle* functioning properly?

- I. In order to determine if the *Fuel Nozzle* is functioning properly, reference Section 8.6 and perform the Fuel Nozzle’s “Component Test.”

**A:** If the *Fuel Nozzle* is not functioning properly:

**The Fuel Nozzle must be replaced; reference Section 8.6 for replacement instructions.**

If the *Fuel Nozzle* is functioning properly:  
**Continue troubleshooting.**

**Q2:** Is the Diesel-Burner’s *Fuel Pump* producing the proper pressure?

- I. In order to determine if the *Fuel Pump* is producing the proper pressure, reference Section 8.8 and perform the Fuel Pump’s “Fuel Pressure Adjustment Check.”

**A:** If the *Fuel Pump* is not producing the correct pressure:

**Adjust the fuel pressure to 145 psi.**

If the *Fuel Pump* is producing the correct pressure:

**Continue troubleshooting.**

**NOTE (7.5-A):** Be sure to check that the Ignition Electrode’s *Retaining Clamp Bolt* has not been overtightened; reference Figure 16. Overtightening can result in a bound-up (i.e., rigid) *Photo Disc*. Not allowing the *Photo Disc* to float freely (i.e., a loose fit) will cause poor combustion and result in smoky exhaust. If a tight *Photo Disc* exists, reference Section 8.5 and perform the “Ignition Electrode Adjustment Procedure.”

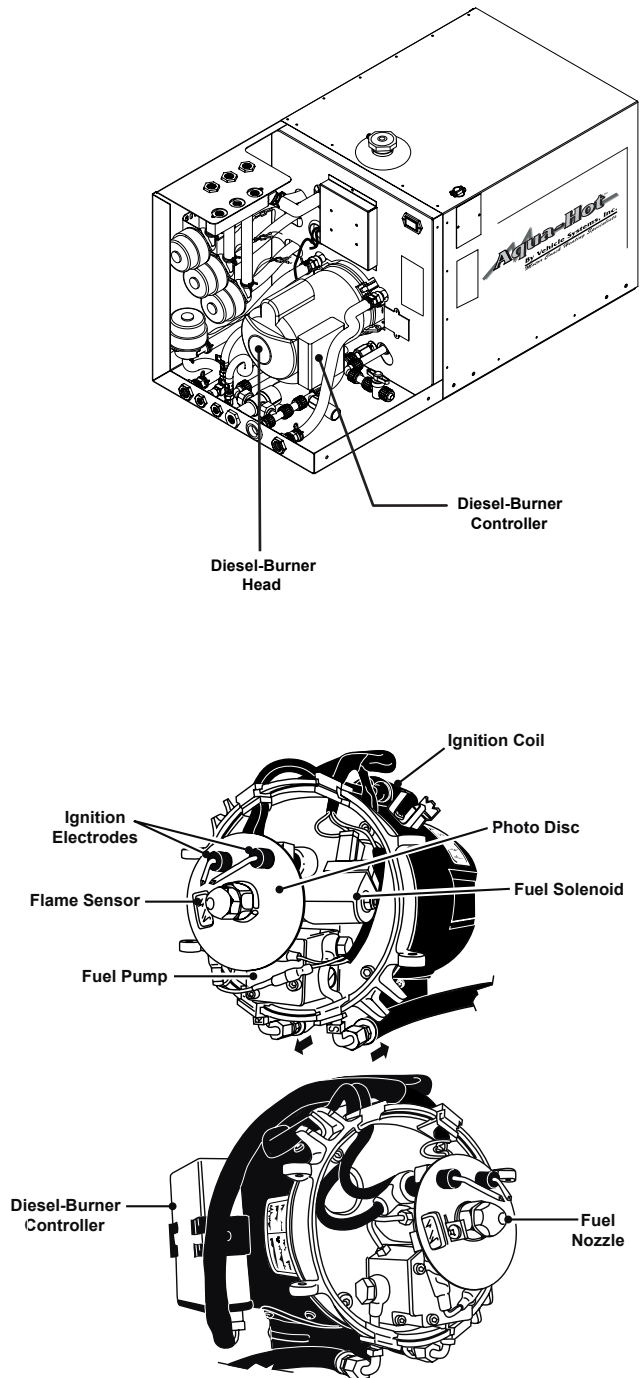
**Q3:** Is the Diesel-Burner’s Fuel Supply System functioning properly?

**Quick Check:** With the *Diesel-Burner* ignited, look for constant white smoke from the Aqua-Hot’s exhaust system.

(continued on next page)

Section 7.5,  
continued

Illustration 7.5-1



**Section 7.5,**  
continued

**A:** If constant white smoke exists:  
**Continue troubleshooting.**

**NOTE (7.5-B):** Inspect the clear bowl of the *Fuel Filter* for water. If water exists, be sure to purge the Aqua-Hot's entire fuel system prior to replacing the *Fuel Filter*. Attempt heater restart; reference "Illustration 7.5-2."

- I. Clamp off and remove the Aqua-Hot's *Fuel Return Line*; reference Figure 1. Now attach a short piece of fuel line to the Aqua-Hot's *Fuel Return Port* and place the other end in a container of diesel fuel. Remove the clamp and ensure that the fuel line is completely submersed in the fuel, then, turn the "Diesel" switch **ON**.

**Are air bubbles visible in the container of fuel when the Diesel-Burner is operating?**

**A:** If air bubbles are not visible:  
**Proceed to Q6.**

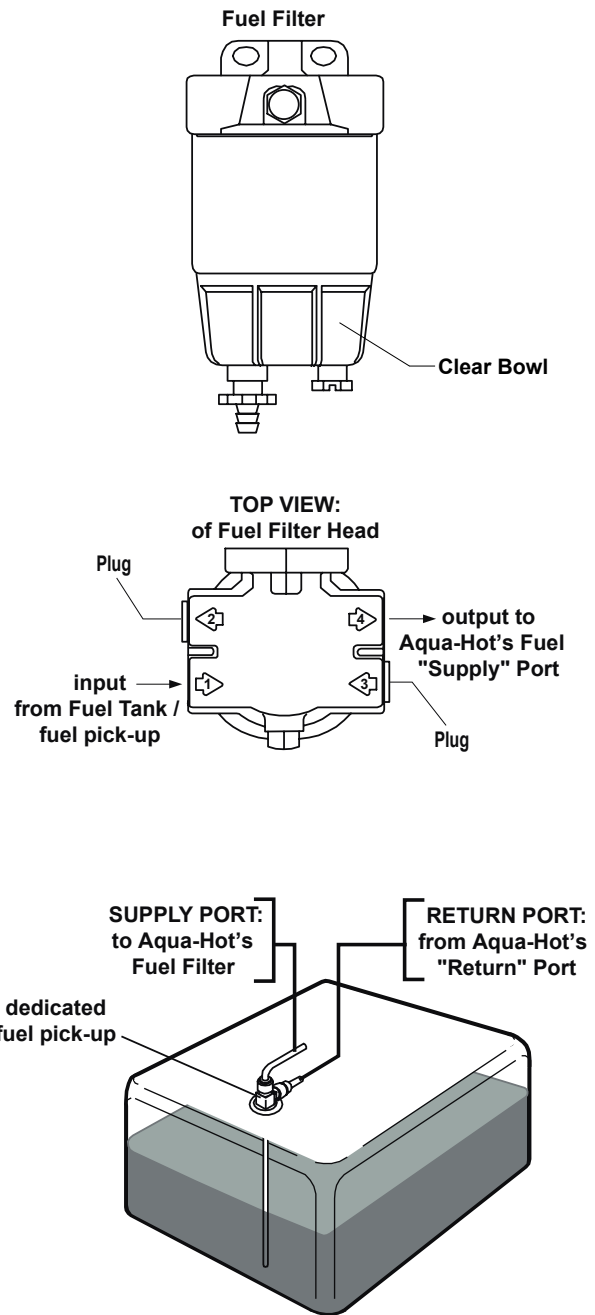
If air bubbles are visible:  
**You will need to inspect the fuel system (supply side) for air leaks. Therefore, be sure to perform the inspections listed below until the air leak has been detected:**

1. **Inspect the fuel system (supply side) from the vehicle's fuel tank to the Diesel-Burner. Inspect the fuel system for loose fuel connections at the Aqua-Hot and Diesel-Burner, as well as the vehicle's fuel tank. Tighten, if necessary. Also, check that all Fuel Filter Head fittings are securely tightened; reference "NOTE (7.5-C)."**

**NOTE (7.5-C):** Be sure to check that each fitting at the *Fuel Filter Head* contains thread sealant. A fitting without thread sealant could result in an air leak. Be sure to clamp off both fuel lines at the filter head prior to any fitting removal. If fittings are removed and reinstalled, be sure to remove both clamps prior to attempting a heater restart. Failure to do so could result in serious damage to the Diesel-Burner's *Fuel Pump*.

**Section 7.5,**  
continued

**Illustration 7.5-2**



**Fuel Pick-up Pipe Illustration**



**Section 7.5,**  
continued

2. Once the potential air leak has been discovered and corrected, reattach the Aqua-Hot's Fuel Return Line and attempt heater restart. Does the Aqua-Hot's exhaust system still sputter?

If the exhaust system is still sputtering:  
**Continue performing the air leak inspection until all air leaks have been discovered and corrected.**

**NOTE (7.5-D):** If the Aqua-Hot's exhaust system still produces white smoke after performing all of the listed checks, contact the Technical Support Department at **1-800-685-4298** for additional assistance.

**Section 7.6**

After turning the "Diesel" switch ON:

**TS6:** The Aqua-Hot's exhaust system produces black smoke after ignition.

**NOTE (7.6-A):** In order to perform the following checks, it is necessary to locate the Aqua-Hot's Electronic Controller and Switch Panel; reference "Illustration 7.6-1."

**Q1:** Is the Electronic Controller's *Low Battery Voltage Fault* light illuminated?

**A:** If YES:  
**Perform each of the following procedures, as necessary, until the problem is resolved.**

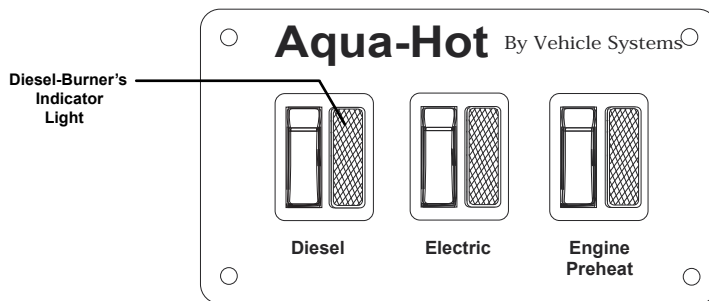
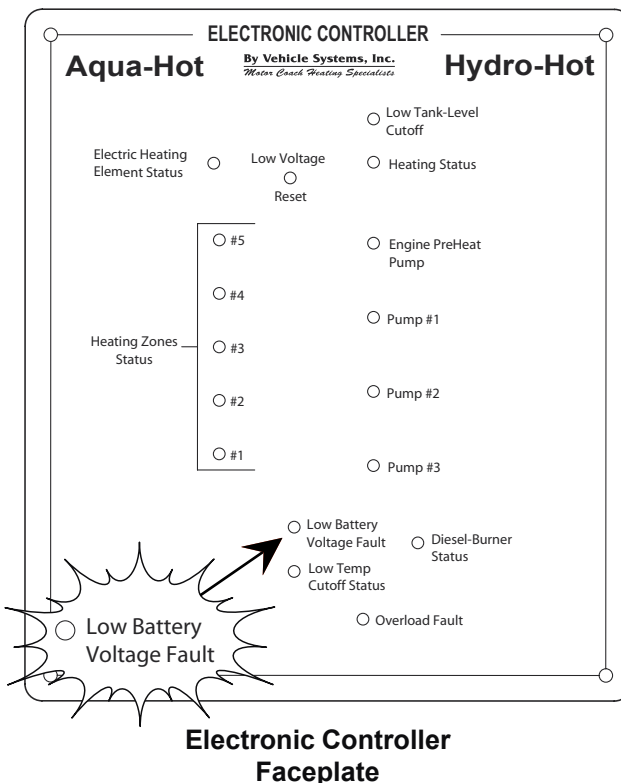
If NO:  
**Proceed to Q2.**

- I. Remove the Electronic Controller's *Faceplate*. Check the DC battery voltage level at the supply batteries and at the Electronic Controller's *Battery Connections*; reference Appendix A. Both voltage readings should be between 11.5 and 14.0 volts.

**A:** If the voltage level is within specs:  
**Continue troubleshooting.**  
If the voltage level is out of specs:  
**Recharge and/or replace batteries, if necessary.**

**Section 7.6,**  
continued

**Illustration 7.6-1**



## Section 7.6, continued

- II. Reset the *Low Voltage Reset* (button) on the *Electronic Controller* (this can be accomplished either by using a thin, straight object to access the reset button through the small hole in the Faceplate or by turning **OFF** the “*Diesel*” switch on the Heater’s Interior Switch Panel for approximately 30 seconds, then turning the switch back **ON**). Continue to read the voltage level at the *Electronic Controller’s Battery Connections* and then turn the “*Diesel*” switch **ON**.

**Under load, is the voltage level within 0.5 volts of the supply batteries’ voltage.**

**A:** If YES:

**Reference “NOTE (7.6-A).”**

If NO:

**Load-test the supply batteries, inspect battery wiring for damage and/or loose connections, and ensure that all of the Aqua-Hot’s electrical motors are operating normally when under load.**

**NOTE (7.6-B):** If, after testing and correcting the battery system, the *Low Battery Voltage Fault* indicator light continues to illuminate, and/or if the *Low Voltage Reset* (button) will not reset, the *Electronic Controller* must be replaced. Please contact the Technical Support Department at **1-800-685-4298** for assistance.

**NOTE (7.6-C):** In order to perform some of the following procedures, it may be necessary to detach the *Diesel-Burner Head* from the *Aqua-Hot*. Therefore, be sure to reference Section 8.2 for detaching and reattaching instructions.

**Q2:** Is the *Diesel-Burner’s Fuel Nozzle* functioning properly?

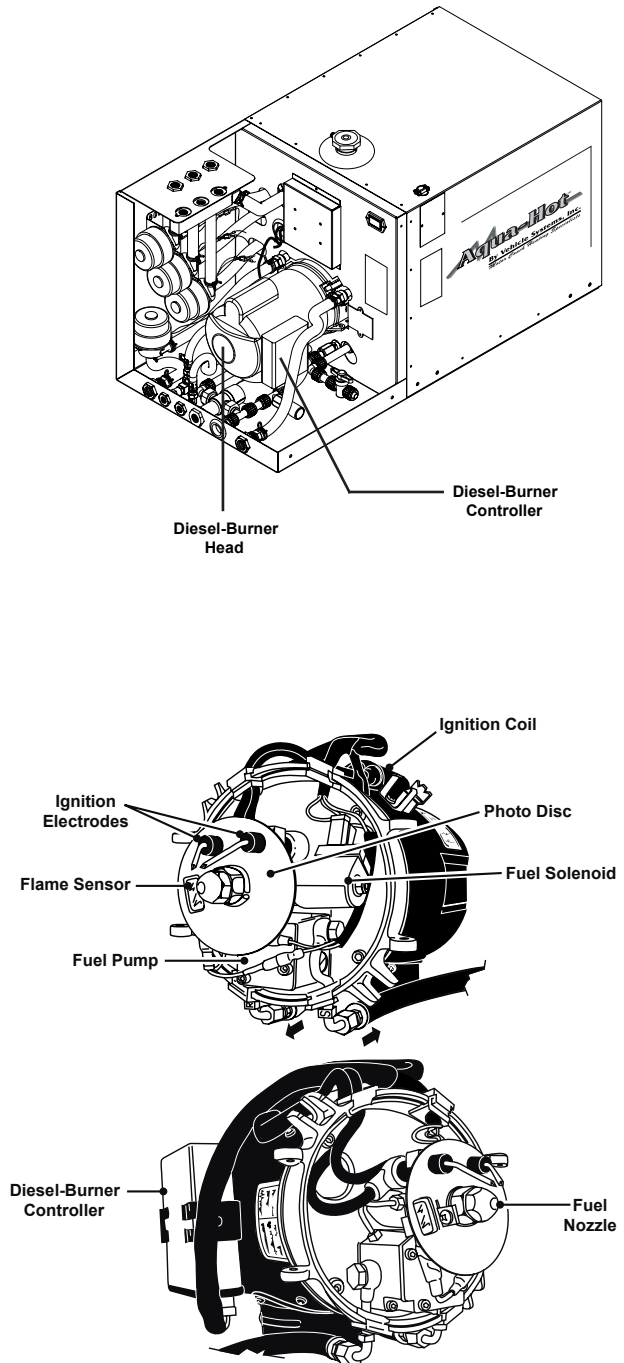
- I. In order to determine if the *Fuel Nozzle* is functioning properly, reference Section 8.6 and perform the *Fuel Nozzle’s “Component Test.”*

**A:** If the *Fuel Nozzle* is not functioning properly:

**The *Fuel Nozzle* must be replaced; reference Section 8.6 for replacement instructions. (continued on next page)**

## Section 7.6, continued

**Illustration 7.6-1**



## Section 7.6, continued

If the *Fuel Nozzle* is functioning properly:  
**Continue troubleshooting.**

**Q3:** Is the Diesel-Burner's *Motor* operating at the proper RPM speed?

- I. In order to determine if the *Motor* is operating properly, reference Section 8.3 and perform the Motor's "RPM Test."

**A:** If the *Motor* is not operating at the proper RPM:

**The *Motor* must be replaced; reference Section 8.3 for replacement instructions.**

If the *Motor* is operating at the proper RPM:

**Continue troubleshooting.**

**Q4:** Is the Diesel-Burner's *Combustion Air Intake* adjusted properly?

**A:** See the "NOTE" below.

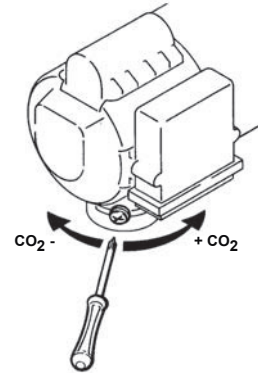
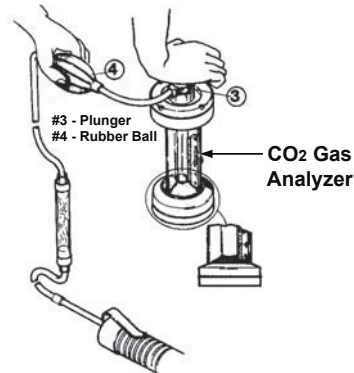
**NOTE (7.6-D):** In order to determine if the Diesel-Burner's *Combustion Air Intake* is adjusted properly, a CO<sub>2</sub> Gas-Analyzer will be required; reference "Illustration 7.6-3." Also, reference Section 11 for the Bacharach Fyrite CO<sub>2</sub> Analyzer's part number information, if necessary.

- I. When using the Bacharach Fyrite CO<sub>2</sub> Analyzer, turn the "Diesel" switch **ON** and allow the *Diesel-Burner* to ignite and operate for approximately 2 minutes. Then perform the following procedures:

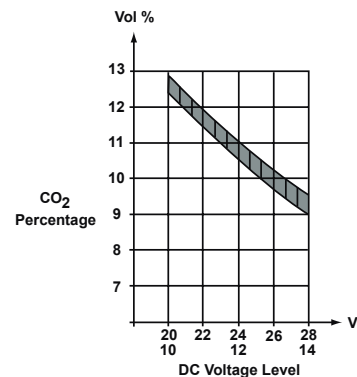
1. Place the small end of the CO<sub>2</sub> Analyzer's suction hose into the Aqua-Hot's *Exhaust Pipe*.
2. Place the round plunger connection of the suction hose on the CO<sub>2</sub> Analyzer's "Plunger." Press down on the suction hose with the palm of your hand until the CO<sub>2</sub> Analyzer's "Plunger" is fully compressed. This will allow a sample of the Aqua-Hot's exhaust to enter the CO<sub>2</sub> Analyzer; reference "Illustration 7.6-3."

## Section 7.6, continued

### Illustration 7.6-3



**Combustion Air Intake  
Adjustment**



**CO<sub>2</sub> - Value Chart**

## Section 7.6, continued

3. Pump the rubber ball 18 times.
4. Release the suction hose from the CO<sub>2</sub> Analyzer's plunger.
5. Turn the CO<sub>2</sub> Analyzer upside down to allow the fluid to advance to the top, then, turn the Analyzer right side up again. Perform this procedure twice.
6. Place the CO<sub>2</sub> Analyzer on a flat surface and read the CO<sub>2</sub> level.
7. The CO<sub>2</sub> level should be between 10.5 and 11.5 percent (at a nominal 12 volts-DC). If the CO<sub>2</sub> level is not within the specs, an adjustment of the Diesel-Burner's *Combustion Air Intake* will be necessary; reference "Illustration 7.6-3." Once the proper CO<sub>2</sub> adjustment has been made, be sure to tighten the adjustment screw.

**NOTE (7.6-E):** In temporary high altitude situations (less available oxygen) the CO<sub>2</sub> will rise by 0.3% CO<sub>2</sub> per 1,000 feet of elevation (e.g., a *Diesel-Burner* adjusted at sea level should register approximately a 1.5% higher CO<sub>2</sub> reading when in Denver, Colorado (5,000 above sea level)). If permanently residing in a high altitude area, be sure to properly adjust the *Diesel-Burner* so that it operates within the 10.5% - 11.5% CO<sub>2</sub> range.

## Section 7.6, continued

**NOTES (7.6-F):** If the proper CO<sub>2</sub> value cannot be obtained, perform each of the following inspections, as necessary, until the cause has been detected:

- A. Check the rubber *Grommets* on the top and bottom of the *Diesel-Burner Head's* cast-aluminum *Blower Casing* to ensure they are securely in place.
- B. Check the *Diesel-Burner Head* for proper alignment (torque specification = approximately 20-40 in.lbs.); reference Section 8.2.
- C. Check to ensure that the Diesel-Burner's *Fuel Pump* is producing the proper pressure. In order to determine if the *Fuel Pump* is producing the proper pressure, reference Section 8.8 and perform the Fuel Pump's "Fuel Pressure Adjustment Check."
- D. Check and reset the *Combustion Air Blower* gap, if applicable. In order to determine if the *Combustion Air Blower's* gap is set properly, reference Section 8.9 and perform Steps 1-6 and 11-17 of the Bearings "Replacement Procedure."
- E. Reference "NOTE (7.6-F)."

**NOTE (7.6-G):** If the Aqua-Hot's exhaust system still produces black smoke after performing all of the listed checks, contact the Technical Support Department at **1-800-685-4298** for additional assistance.

## Section 7.7

After turning the “Diesel” switch ON:

**TS7: The Aqua-Hot is at operating temperature, but an Interior and/or Fresh Water Tank Heating Zone is not producing heat.**

**Q1: Is the particular Heating Loop’s Circulation Pump operating?**

**Quick Check** - Remove the Aqua-Hot’s Access Cover and determine if the problem Heat Exchanger(s) is plumbed with Circulation Pump #1, Circulation Pump #2, or Circulation Pump #3; reference Figure 1 and “Appendix B.” Once the particular Circulation Pump has been isolated, locate and activate the Room Thermostat for that particular heating zone. View the Circulation Pump’s Motor through the clear, plastic cover to check for operation.

**Is the Circulation Pump operating/rotating?**

**A: If YES:**

**Check the particular Heating Loop’s plumbing system for kinks and/or any other types of flow restrictions.**

**If NO:**

**Perform each of the following procedures, as necessary, until the problem is resolved:**

- 1. Locate the Electronic Controller and remove the Faceplate.**
- 2. Locate the Electronic Controller’s JP-3 Plug and insert the probes of a DC voltmeter into the particular Circulation Pump’s Pin locations; reference Appendix A:**

**Circulation Pump #1**  
Pins 6(-) and 5(+)

**Circulation Pump #2**  
Pins 4(-) and 3(+)

**Circulation Pump #3**  
Pins 2(-) and 1(+)

## Section 7.7, continued

**Observe the DC voltage on the voltmeter.**

**Does a nominal 12 Volt-DC voltage reading register on the voltmeter?**

**A: If YES:**

**The Circulation Pump must be replaced. Please contact the Technical Support Department at 1-800-685-4298 for assistance.**

**If NO:**

**The Electronic Controller must be replaced. Please contact the Technical Support Department at 1-800-685-4298 for assistance.**

Section 7.8

After turning the “Diesel” switch ON:

**TS8:** The Aqua-Hot is at operating temperature; however, the Interior and/or Fresh Water Tank Heat Exchanger fans are not operating.

**Q1:** Is the Tank Sensor Pin Jumper on the Electronic Controller properly installed?

I. Remove the Faceplate from the Electronic Controller, allowing the Electronic Controller’s Printed Circuit Board to be exposed. Locate the “TANK SEN” Pins located on the bottom right-side of the Electronic Controller’s Printed Circuit Board; reference “Illustration 7.8-1.”

Is the Pin Jumper properly installed with the Pin Jumper covering both pins in order to provide continuity?

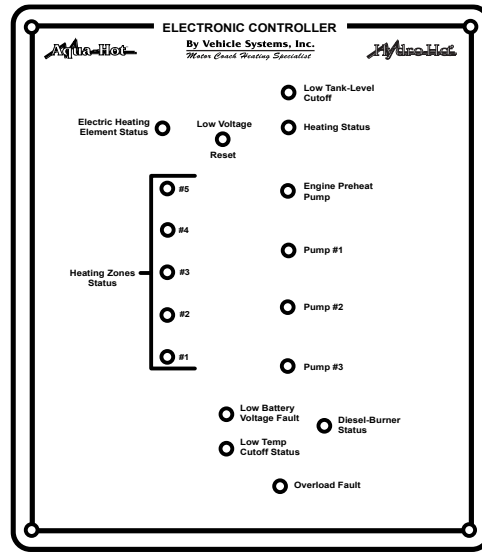
A: If YES:  
Continue troubleshooting.

If NO:  
Reseat the Pin Jumper on both pins.

**NOTE:** If reseating the Pin Jumper does not correct the non-functioning Heat Exchanger Fan failure, the Electronic Controller may need to be replaced. Please contact the Technical Support Department at 1-800-685-4298 for assistance.

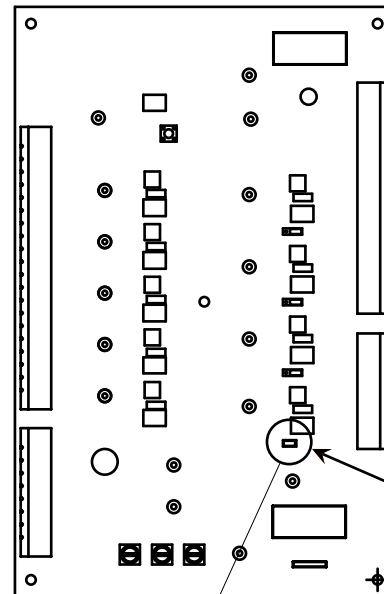
Section 7.8, continued

Illustration 7.8-1

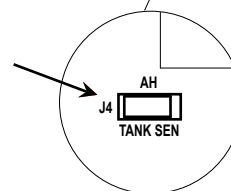


Electronic Controller Faceplate

Electronic Controller Printed Circuit Board



“TANK SEN” Pin Jumper Properly Installed



“TANK SEN” Pin Jumper Location

**Section 7.9**

After turning the “Diesel” switch ON:

**TS9: The Aqua-Hot is at operating temperature, but the domestic hot water system is not producing hot water.**

**Q1: Is the Aqua-Hot’s Tempering Valve properly set?**

**Quick Check:** The *Tempering Valve* should be preset on the valve’s number “3” setting; reference “Illustration 7.9-1.”

**A: If YES:**

**Continue troubleshooting.**

**If NO:**

**Adjust the Tempering Valve to the number “3” setting and retest the domestic hot water system.**

**Q2: Is the Aqua-Hot’s heating solution utilizing the proper mixture of antifreeze and water?**

**NOTE (7.9-A):** This Aqua-Hot product utilizes an FDA approved GRAS Propylene Glycol (P.G.) antifreeze and water *heating solution*. This P.G. based *heating solution* utilizes a Boiler type antifreeze, which is Generally Recognized as Safe (“GRAS”) by the FDA. A **50/50 heating solution** of P.G. antifreeze and water is recommended to provide the best overall domestic hot water and interior heating performance (50% P.G. antifreeze and 50% water).

**Quick Check:** Utilizing an antifreeze *refractometer* (reference Section 11 for special tools information), test the concentration of the antifreeze and water *heating solution*. An antifreeze concentration higher than 50% will cause poor domestic hot water performance.

**A: If YES:**

**Continue troubleshooting.**

**If NO:**

**Adjust the antifreeze and water heating solution accordingly until the proper concentration is obtained.**

**Q3: Is the shower’s flow rate (i.e., Gallons per Minute), of domestic hot water, too high? Reference “NOTE (7.9-B).”**

**Section 7.9,  
continued**

**NOTE (7.9-B):** Domestic hot water *flow rates* exceeding 1.5 Gallons per Minute (GPM) can contribute to poor domestic hot water performance. However, this is directly dependent upon the temperature of the incoming domestic cold water to the Aqua-Hot’s domestic hot water system. Therefore, please be sure to reference the informational graph, contained within Section 7.9, regarding the theoretical performance of the Aqua-Hot’s domestic hot water system.

**Quick Check:** Utilizing a one-gallon Graduated Cylinder (or an equivalent one-gallon container), measure the time it takes the shower to produce one gallon of hot water, then utilize the chart below to determine the shower’s GPM *flow rate*:

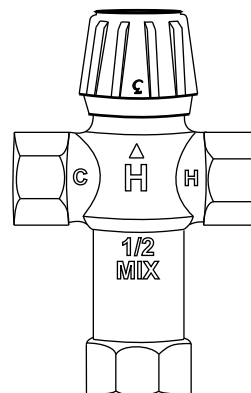
15 seconds = 4.0 GPM
20 seconds = 3.0 GPM
25 seconds = 2.4 GPM
30 seconds = 2.0 GPM
35 seconds = 1.7 GPM
40 seconds = 1.5 GPM
45 seconds = 1.3 GPM
50 seconds = 1.2 GPM
55 seconds = 1.1 GPM
60 seconds = 1.0 GPM

**A: If YES:**

**Please contact the Technical Support Department at 1-800-685-4298 for additional assistance.**

**If NO:**

**If the shower’s flow rate is less than 1.5 GPM and the Aqua-Hot still fails to produce hot water, please contact the Technical Support Department at 1-800-685-4298 for additional assistance.**

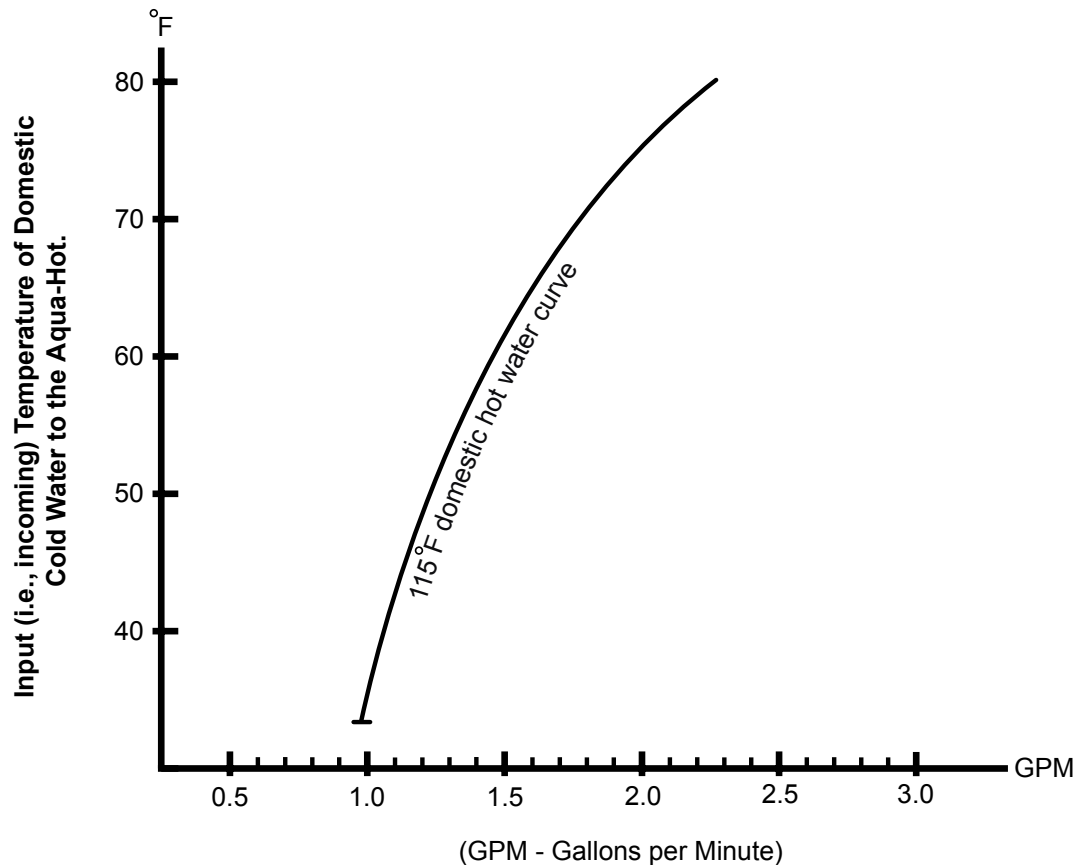


**Illustration 7.9-1**

**Tempering Valve correctly set to “3.”**

## Section 7.9, continued

The chart below is a graphical representation of how the Aqua-Hot's Domestic Hot Water System theoretically performs under varying incoming domestic cold water temperatures. Because each Aqua-Hot has a performance tolerance, this graphic should be used as a general guideline and not as actual domestic hot water performance data.



The estimated domestic cold water flow rate required to maintain an approximate 115°F domestic hot water output temperature.

### Notes of Interest

#### **When water is heated to...**

- 156 degrees - Hot water causes a third-degree burn in one second
- 149 degrees - Hot water causes a third-degree burn in two seconds
- 133 degrees - Hot water causes a third-degree burn quickly
- 115-120 degrees - General purpose temperatures
- 107 - 109 degrees - Average "Hot-Tub" temperatures
- 105 degrees - Average "Shower" temperature



## Section 7.10

After turning the “*Electric*” switch ON:

**TS10:** The Aqua-Hot’s 120 VAC *Electric Heating Element* does not operate (i.e., lack of hot water and/or interior heat).

**Q1:** Is the Electronic Controller’s *Electric Heating Element Status* light illuminated? (Reference Figure 5.)

**NOTE (7.10-A):** The temperature of the Aqua-Hot’s *Boiler Tank* must be below 160°F prior to performing this test.

A: If YES:

Perform each of the following procedures, as necessary, until the problem is resolved.

1. Locate the *Electronic Controller* and remove the *Faceplate*.
2. With the “*Electric*” switch ON, locate the Electronic Controller’s *JP-3 Plug* and check for DC voltage at *Pin 11 (+)* and *Pin 12 (-)*; reference Appendix A.

If voltage is present:

Check for loose wire connections at *Pin 11 (+)* and *Pin 12 (-)* of the *JP-3 Plug*. If the wire connections are in good condition, proceed to Q2.

If no voltage is present:

The *Electronic Controller* must be replaced. Please contact the Technical Support Department at 1-800-685-4298 for assistance.

If NO:

Perform each of the following procedures, as necessary, until the problem is resolved.

1. Locate the *Electronic Controller* and remove the *Faceplate*.
2. Locate the Electronic Controller’s *JP-2 Plug*. Use a jumper wire to make a connection from the *Electric (O)* pin to the *Electric (I)* pin; reference Appendix A.

Does the Electronic Controller’s *Electric Heating Element Status* light illuminate?  
(continued in next column)

Section 7.10,  
continued

A: If YES:

Check for loose wire connections at the “*Electric*” switch and at the *JP-2 Plug*’s *Electric (O)* and *Electric (I)* pins. If connections are in good condition, replace the “*Electric*” switch.

If NO:

Locate the Electronic Controller’s *JP-2 Plug* and check for DC voltage at the *Electric (O)* and *Electric (I)* pins; reference Appendix A and “NOTE (7.10-B).”

**NOTE (7.10-B):** Both “*Electric*” pins (i.e., *(O)* and *(I)*) should indicate a *positive (+)* DC voltage. Therefore, be sure to utilize the “*JP7 GND*” stud as a *ground (-)* source when performing this DC voltage check.

If no voltage is present:

The *Electronic Controller* must be replaced. Please contact the Technical Support Department at 1-800-685-4298 for assistance.

**Q2:** Has the Aqua-Hot’s *VAC High-Limit Thermostat* tripped?



**WARNING:** Turn the *VAC breaker* OFF prior to performing the following checks. Failure to do so may result in serious bodily injury (i.e., **electrical shock**).

1. Remove the Aqua-Hot’s *Thermostat Access Cover* and locate the *VAC High-Limit Thermostat*; reference Figure 1. Check for continuity at the *VAC High-Limit Thermostat*.

Is continuity present?

A: If YES:

Proceed to Q3.

If NO:

Press the red reset button located on the *VAC High-Limit Thermostat* and retest for continuity.

**NOTE (7.10-C):** Although the 120 VAC *Electric Heating Element* should now function properly, be sure to perform the following steps until the cause for overheating has been discovered and corrected. Failure to do so could result in additional overheating incidents.

**Section 7.10,**  
continued

- I. Turn the “*Diesel*” switch **ON** and allow the *Aqua-Hot* to reach maximum operating temperature (i.e., until the *Diesel-Burner* cycles **OFF**). Locate both the *VAC High-Limit Thermostat* and the *VAC/VDC Control Thermostat* and check for continuity; reference Figure 1.

**A:** If there is no continuity at the *VAC High-Limit Thermostat*, but there is continuity at the *VAC/VDC Control Thermostat*:

**The *VAC/VDC Control Thermostat* must be replaced. Please contact the Technical Support Department at 1-800-685-4298 for assistance.**

If there is continuity at the *VAC High-Limit Thermostat*, but none at the *VAC/VDC Control Thermostat*:

**The overheat condition may have been caused by another faulty component, and no further troubleshooting is necessary; reference “NOTE (7.10-D).” Please contact the Technical Support Department at 1-800-685-4298 for additional assistance.**

**NOTE (7.10-D):** If the *VAC High-Limit Thermostat* continues to trip, and no overheating problems were discovered (i.e., faulty *VAC/VDC Control Thermostat*), it may be that the *VAC High-Limit Thermostat* is not operating properly and may need to be replaced.

**Q3:** Is VAC power being supplied to the *VAC Relay*?



**WARNING:** The following checks need to be performed with the motorhome connected to VAC power. Therefore, be sure to use extreme caution when performing each check, as 120 VAC power will be present at each of the electrical components. Failure to do so may result in serious bodily injury (i.e., an electrical shock).

**Section 7.10,**  
continued

**NOTE (7.10-E):** The Temperature of the *Aqua-Hot’s Boiler Tank* must be below 160°F prior to performing this test.

- I. Turn the “*Electric*” switch **ON** and uncover the *VAC Relay* located on the reverse side of the *Thermostat Access Cover*; reference Figure 1. Check for AC voltage at both *Black (+)* wires (“120 VAC Power Supply”) connections on the *VAC Relay*; reference Appendix A. Be sure to utilize the “JP7 GND” stud as a ground source when performing this AC voltage check.

**Is voltage present?**

**A:** If YES:

**Proceed to Q4.**

If NO:

1. Check for loose wire connections at the Motorhome’s *VAC* junction box.
2. If the *VAC* wire connections are in good condition, please proceed to step 3.
3. Check the *VAC Relay* to ensure that it is functioning properly.

**NOTE (7.10-F):** Inspect the *VAC Relay* for damage. If visual signs of damage exist, the *relay* must be replaced.

- I. Disconnect both *Black VAC wires* from the *VAC Relay terminals*. Activate the “*Electric*” switch **ON** and **OFF**, then check for continuity across the two open *terminals*. Please note, with the “*Electric*” switch **ON**, continuity should be present at the *relay’s terminals*. With the “*Electric*” switch **OFF**, no continuity should be present.

**Is continuity present across the two terminals of the *VAC Relay*?**

**A:** If YES:

**Proceed to Q4.**

If NO:

**The *VAC Relay* must be replaced. Please contact the Technical Support Department at 1-800-685-4298 for assistance.**

## Section 7.10, continued

**Q4:** Is the 120 VAC Electric Heating Element functioning properly?



**WARNING:** The following checks need to be performed with the Motorhome connected to VAC power. Therefore, be sure to use extreme caution when performing each check, as 120 VAC power will be present at each of the electrical components. Also, be sure to disconnect VAC power prior to replacing any electrical components. Failure to do so may result in serious bodily injury (i.e., an electrical shock).

- I. Disconnect the Motorhome from VAC shore power and switch-off the Motorhome's Generator. Uncover the 120 VAC Electric Heating Element located behind the Electric Heating Element Access Cover, reference Figure 1. Remove both the Black and White wires from the 120 VAC Electric Heating Element terminals. Check for continuity across the two open terminals.

Is continuity present?

A: If YES:

Reference "NOTE (7.10-F)."

If NO:

The 120 VAC Electric Heating Element must be replaced. Please contact the Technical Support Department at 1-800-685-4298 for assistance.

**NOTE (7.10-F):** If the 120 VAC Electric Heating Element still does not seem to operate after performing all of the listed checks, contact the Technical Support Department at 1-800-685-4298 for additional assistance.

## Section 7.11

After turning the "Engine Preheat" switch ON:

**TS11:** The Aqua-Hot's Engine Preheat System does not preheat the engine.

**NOTE (7.11-A):** The "Diesel" or "Electric" switch must be activated, along with the "Engine Preheat" switch, prior to performing the following checks.

**Q1:** Is the Electronic Controller's Engine Preheat Pump light illuminated? (Reference Figure 5.)

A: If YES:

Perform each of the following procedures, as necessary, until the problem is resolved.

1. Locate the *Electronic Controller* and remove the *Faceplate*.
2. Locate the *Electronic Controller's JP-3 Plug* and check for DC voltage at *Pin 7 (+)* and *Pin 8 (-)*; reference *Appendix A*.

If voltage is present:

Check for loose wire connections at *Pin 7 (+)* and *Pin 8 (-)* of the *JP-3 Plug*. Also, check the wire connections at the *Engine Preheat Pump*. If all connections are in good condition, observe the *Engine Preheat Pump* to ensure that it is

operating/rotating; reference Figure 1. If the *Engine Preheat Pump* is not operating/rotating, it must be replaced. Please contact the Technical Support Department at 1-800-685-4298 for assistance.

If no voltage is present:

The *Electronic Controller* must be replaced. Please contact the Technical Support Department at 1-800-685-4298 for assistance.

If NO:

Perform each of the following procedures, as necessary, until the problem is resolved.

1. Locate the *Electronic Controller* and remove the *Faceplate*.
2. Locate the *Electronic Controller's JP-2 Plug*. Use a jumper wire to make a connection from the *Preheat (O)* pin to the *Preheat (I)* pin; reference *Appendix A*.

**Section 7.11,**  
continued

Does the Electronic Controller's *Engine Preheat Pump* light now illuminate?

A: If YES:

Check for loose wire connections at the "*Engine Preheat*" switch and at the JP-2 Plug's *Preheat (O)* and *Preheat (I)* pins; reference Appendix A. If connections are in good condition, the "*Engine Preheat*" switch must be replaced. Please contact the Technical Support Department at 1-800-685-4298 for assistance.

If NO:

Locate the Electronic Controller's *JP-2 Plug* and check for DC voltage at the *Preheat (O)* pin; reference Appendix A.

**NOTE (7.11-B):** Be sure to utilize the "*JP7 GND*" stud as a *ground (-)* source when performing this DC voltage check.

If no voltage is present:

The *Electronic Controller* must be replaced. Please contact the Technical Support Department at 1-800-685-4298 for assistance.

If voltage is present:

Reference "**NOTE (7.11-C).**"

**NOTE (7.11-C):** If the *Engine Preheat Pump* still does not appear to operate after performing all of the listed checks, contact the Technical Support Department at 1-800-685-4298 for additional assistance.

## SECTION 8: DIESEL-BURNER SERVICE, MAINTENANCE, AND REPAIR INFORMATION

### General Recommended Maintenance

#### 8.1 General Recommended Maintenance

##### Monthly

Check the Aqua-Hot's water and antifreeze solution to ensure that it is at the proper level. Do this by visually checking the coolant level in the Aqua-Hot's *Expansion Tank*; reference Figure 1. This should be checked **only** when the *Aqua-Hot* is at maximum operating temperature (i.e., when the *Diesel-Burner* cycles **OFF**), "**HOT.**"



**WARNING:** When the *Aqua-Hot* is at maximum operating temperature (**HOT**), **DO NOT** loosen the *Radiator Cap*. If removed, scalding by hot vapor or coolant could result.

If the coolant needs replenishing, fill the Aqua-Hot's *Expansion Tank* to the **FULL HOT** level mark. Be sure to reference the Aqua-Hot "Owner's Manual" for the proper antifreeze type and mixture. If coolant frequently needs replenishing, please contact the Technical Support Department at **1-800-685-4298** for assistance.

##### Annually

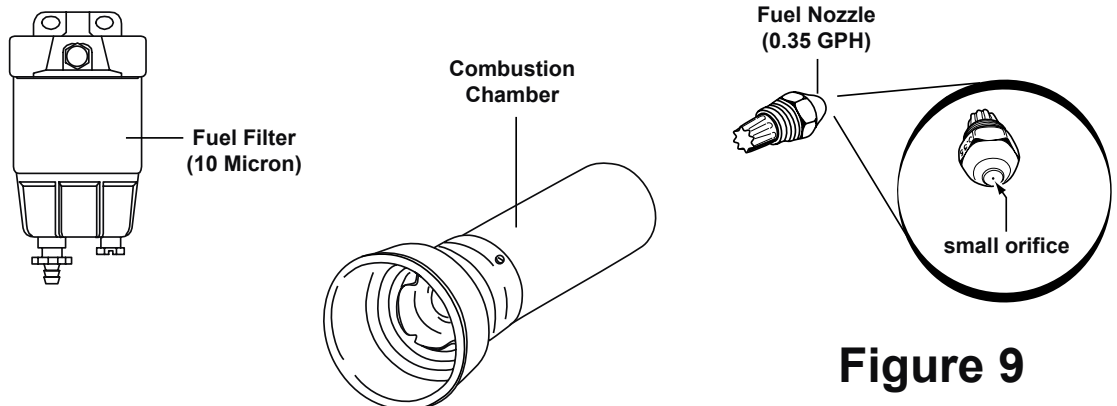


**WARNING:** Before cleaning or servicing, disconnect all power supplies.

To keep the *Aqua-Hot* running smoothly, it is ideal to have the *Diesel-Burner* tuned-up annually. A tune-up should consist of a new *Fuel Nozzle* and *Fuel Filter*, along with a thorough cleaning of the *Combustion Chamber*, if necessary (reference Figure 9). To ensure maximum *Diesel-Burner* performance, always use the recommended *Fuel Nozzle* and *Fuel Filter* (i.e., 10 Micron) when replacing these parts. Reference Section 10 for spare parts information.

**NOTE:** Be sure to use care when handling the *Fuel Nozzle*. Oils and/or small dust or dirt particles from your hands may plug the nozzle's small orifice. A partially plugged orifice will restrict fuel flow, which will affect the combustion process of the *Diesel-Burner* (i.e., excessive smoking).

**CAUTION:** Operating the Aqua-Hot's *Diesel-Burner* or the *120 VAC Electric Heating Element* without the water and antifreeze solution will cause **serious damage** to the heater.

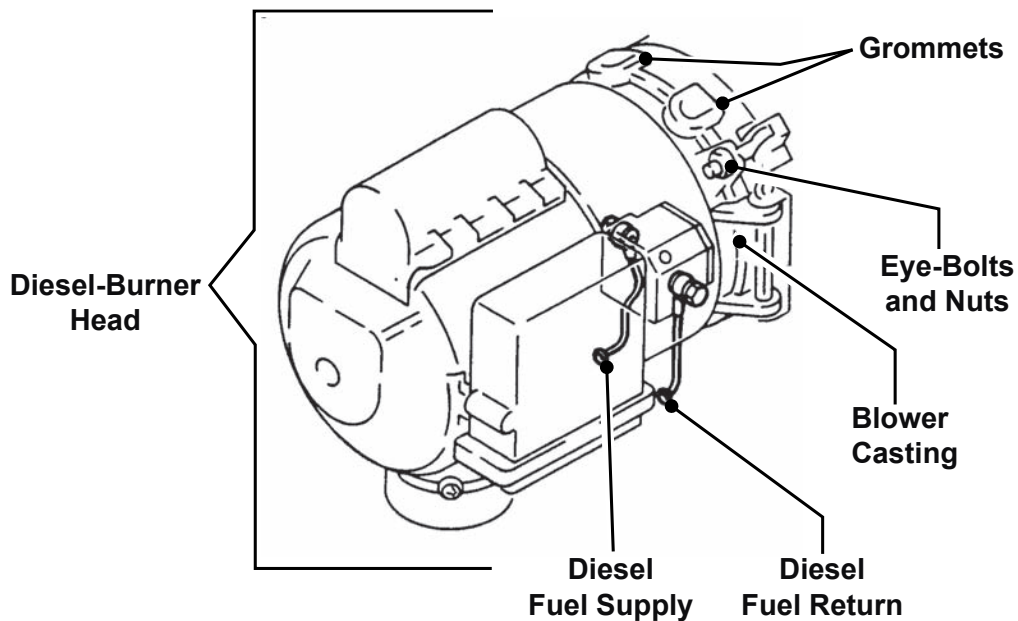


**Figure 9**

## SECTION 8: DIESEL-BURNER SERVICE, MAINTENANCE, AND REPAIR INFORMATION

### Detaching and Reattaching the Diesel-Burner Head

#### 8.2 Detaching and Reattaching the Diesel-Burner Head



**Figure 10**



**WARNING:** Be sure to turn the “Diesel” switch **OFF** and disconnect the *B-Plug Harness* from the Diesel-Burner’s *Controller* prior to detaching the *Diesel-Burner Head*; reference Figures 8 and 26. Failure to do so may result in the ignition of the *Diesel-Burner* and serious bodily injury.

1. Loosen the two *Eye-Bolt Nuts* and swing the *Eye-Bolts* out of the way; reference Figure 10.
2. With both hands, carefully pull the *Diesel-Burner Head* away from the *Aqua-Hot* (approximately 4-5 inches). Please note that you may have to lift the *Diesel-Burner Head* slightly while pulling it away from the *Aqua-Hot*.
3. Rotate the *Diesel-Burner Head* upward until all internal components are visible.

**CAUTION:** When reattaching the *Diesel-Burner Head*, be sure to properly align the *Diesel-Burner Head* before tightening the *Eye-Bolt Nuts*. Also, visually inspect all of the rubber *Grommets* on the top and bottom of the *Diesel-Burner Head*’s cast-aluminum *Blower Casting* to ensure they are in place. **DO NOT** overtighten the *Eye-Bolt Nuts* (torque specification = approximately 20-40 in. lbs.). An improper alignment and/or an overtightening of the *Eye-Bolt Nuts* can cause damage to the *Diesel-Burner Head*’s cast-aluminum *Blower Casting*; reference Figure 10.

## SECTION 8: DIESEL-BURNER SERVICE, MAINTENANCE, AND REPAIR INFORMATION

### Motor

#### 8.3 Motor

**Function:** The *Motor* drives the *Combustion Air Blower* and the *Fuel Pump*.

**NOTE:** In order to perform the following procedures, it may be necessary to detach and reattach the *Diesel-Burner Head*. Therefore, be sure to reference Section 8.2 for detaching and reattaching instructions.

**NOTE:** The functionality of each component can be determined by completing the manual checks, as listed in the “Component Test,” or the components can be tested by using a “Controller Tester.” Reference Section 11 for Special Tools information.

**Component Test:** Locate the Diesel-Burner Controller’s *C-Plug* and insert the probes of a DC voltmeter into the C-2 (+) and C-5 (-) locations; reference Figure 11. Turn the “*Diesel*” switch **ON** and observe the voltage level. If a nominal voltage registers on the voltmeter and the *Motor* is not operating, inspect the *C-Plug Harness* for loose or damaged wire connections. If the *C-Plug Harness* and connections are in good condition, the *Motor* must be replaced; reference the *Motor*’s “Replacement Procedure” in this section.

**Cleaning Tips/Maintenance:** N/A

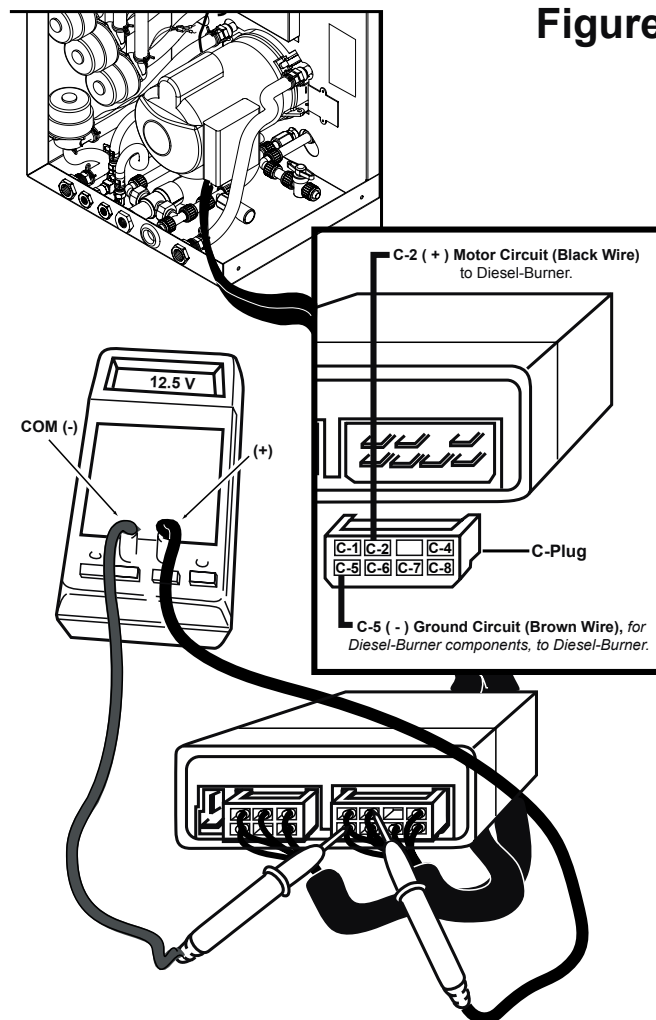


Figure 11

## SECTION 8: DIESEL-BURNER SERVICE, MAINTENANCE, AND REPAIR INFORMATION

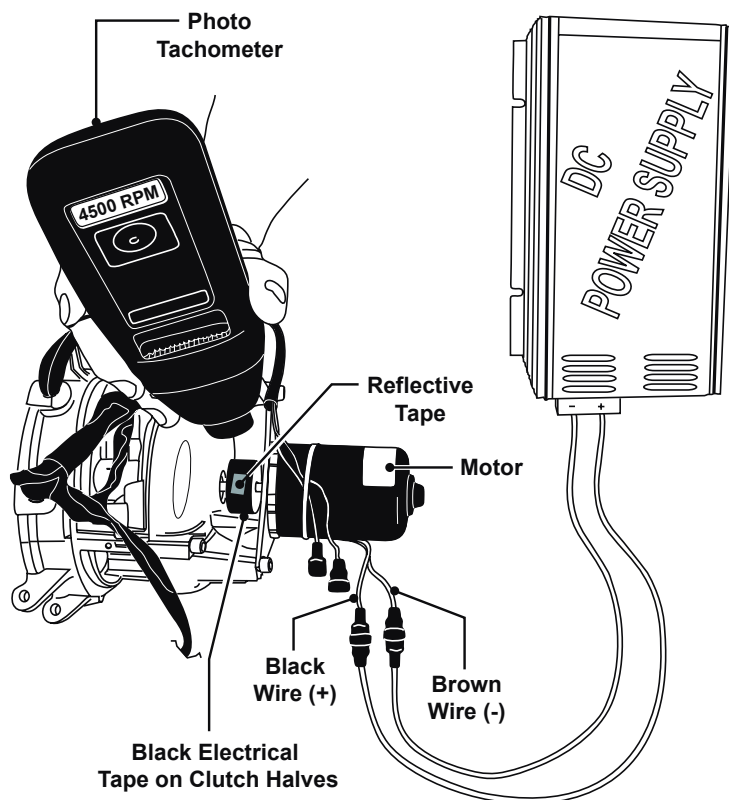
### Motor, continued

**Adjustment Procedure:** N/A

**RPM Test:** Disconnect the *Ignition Cables* from the *Ignition Electrodes*; reference Figure 16. Remove the four *Ignition Coil Screws*, which secure the *Ignition Coil* to the *Protection Housing*; reference Figure 13. Lift the *Ignition Coil* and disconnect its *wires* from the *C-Plug Harness wires* prior to removing. Remove the *Protection Housing* from the *Diesel-Burner*, allowing the *Motor and Clutch Halves* to be exposed; reference Figures 12 and 13. Place a few wraps of black electrical tape around the *Clutch Halves*, then, place a small piece of reflective tape over the black tape as illustrated in Figure 12. Disconnect the *Motor's Black (+) and Brown (-) wires* from the *C-Plug Harnesses' Black (+) and Brown (-) wires*; reference Figures 12 and 13. Connect the *Motor's wires* directly to a 12 Volt-DC power supply; reference Figure 12. Turn the power supply **ON** and use a photo-tachometer to test for a proper RPM reading; reference Figure 12. At approximately 12.5 Volts-DC, the RPM reading should be 4500 RPMs (+/- 300 RPMs). If the *Motor's RPM reading* is not within the above specs, the *Motor* must be replaced; reference the *Motor's Replacement Procedure* in this section. Reference Section 10 for spare part number information.

**NOTE:** Prior to reattaching the *Diesel-Burner Head* or replacing the *Motor* (if applicable), be sure to test the *Diesel-Burner's Bearings*. Worn *Bearings* can cause lower than normal RPM readings and premature *Motor* wear. To properly test for worn *Bearings*, reference Section 8.9 for the *Bearings "Function Test."*

Figure 12





## SECTION 8: DIESEL-BURNER SERVICE, MAINTENANCE, AND REPAIR INFORMATION

### Motor, continued

#### Replacement Procedure:

1. Remove the four *Ignition Coil Mounting Screws*, which secure the *Ignition Coil* to the *Protection Housing*; reference Figure 13. Lift the *Ignition Coil* to disconnect its wires from the C-Plug Harness wires prior to removing. Remove the *Protection Housing* from the *Diesel-Burner* to expose the *Motor* and *Clutch Halves*; reference Figures 13 and 14.
2. Remove the three *Hex Head Screws*, which secure the *Motor* and flange assembly to the *Blower Housing*; reference Figure 13. Remove the *Motor* and flange assembly along with the *Clutch Halves*; reference Figures 13 and 14. Disconnect the *Motor's Black (+)* and *Brown (-)* wires from the C-Plug Harness' wires; reference Figure 13.

**NOTE:** Inspect the *Clutch Halves* for cracks and ensure that the flat portion in each shaft hole is free of wear and tear. Too much play on the shaft produces a loud clacking noise. If any cracks or wear are detected, the *Clutch Half* must be replaced. Reference the Aqua-Hot's "Parts Manual" for spare parts information.

3. Detach the *Motor* from the *Motor Flange* by removing the two *Phillips Head Screws*, which fasten the two parts together; reference Figure 13.

#### **NOTES:**

- A:** Be sure to test the Diesel-Burner's *Bearings* prior to reinstalling the *Motor*. Worn *Bearings* can cause lower than normal RPM readings and premature *Motor* wear. To properly test for worn *Bearings*, reference Section 8.9 for the *Bearings* "Function Test."
- B:** The *Motor* must be mounted to the flange with the wires and drain hole pointing downward and the recessed edge of the *Motor Flange* pointing upward; reference Figure 14. This will ensure a proper *Protection Housing* fit.

4. Reinstall a *Clutch Half* on both the new *Motor's* shaft and the Combustion Air Blower's shaft. Attach the *Motor* and the flange assembly, with the recessed edge of the *Motor Flange* in-line with the Wiring Access Slot of the *Blower Casting*, to the *Blower Housing* with the three *Hex Head Screws*; reference Figure 14.

**NOTE:** Inspect the Blower Casing's *O-Ring* for damage or wear prior to reinstalling the Diesel-Burner Head's *Protection Housing*; reference Figure 14. If damage or wear exists, replace the *O-Ring*. Reference the Aqua-Hot's "Parts Manual" for spare parts information.

5. Connect the *Black (+)* and *Brown (-)* wires of the new *Motor* to the C-Plug Harness' *Black (+)* and *Brown (-)* wires; reference Figure 13. Feed the C-Plug Harness' *Yellow* and *Brown* wires back through the *Wiring Access Hole* in the *Protection Housing*; reference Figure 13.
6. Reinstall the *Protection Housing*. Reconnect the *Black (+)* and *Brown (-)* wires of the *Ignition Coil* to the C-Plug Harness' *Yellow (+)* and *Brown (-)* wires; reference Figure 24. Reinstall the *Ignition Coil* and secure to the *Protection Housing* with the four *Ignition Coil Mounting Screws*; reference Figure 13.

SECTION 8: DIESEL-BURNER SERVICE, MAINTENANCE, AND REPAIR INFORMATION

Motor, continued

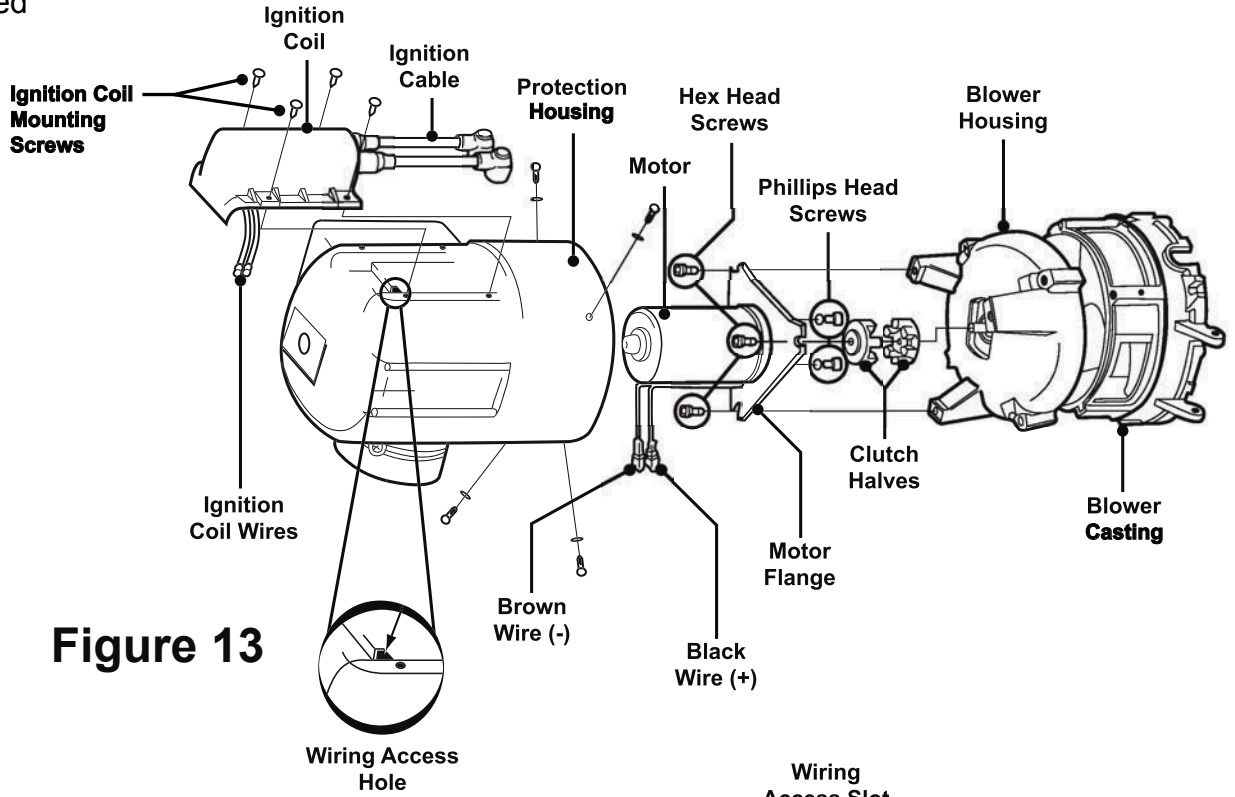


Figure 13

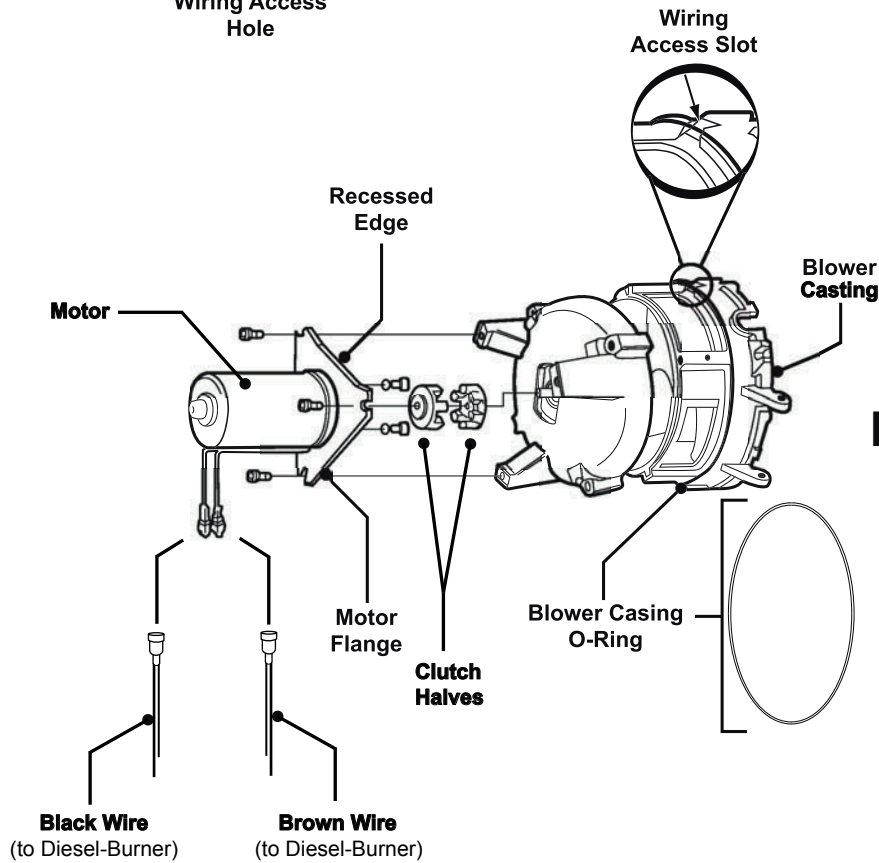


Figure 14

## Flame Sensor

### 8.4 Flame Sensor

**Function:** The *Flame Sensor* is a photoresistive device, which supplies the Diesel-Burner's *Controller* with a DC voltage signal when it detects a flame (i.e., a light source).

**NOTE:** The functionality of each component can be determined by completing the manual checks, as listed under the "Component Test" area for each individual component, or the components can be tested by using a "Controller Tester." Reference Section 11 for Special Tools information

**NOTES:**

- A:** In order to perform the following procedures, it is necessary to detach and reattach the *Diesel-Burner Head*. Therefore, be sure to review Section 8.2 for detaching and reattaching instructions.
- B:** Be sure to calibrate your ohmmeter prior to checking the *Flame Sensor* for proper resistance values.

**Component Test:** Locate and detach the Flame Sensor's *Green* and *Blue* wires from the C-Plug Harness *wires*; reference Figure 15. Connect the Flame Sensor's *Green* and *Blue* wires to an ohmmeter; reference Figure 15. Check resistance by placing a shop rag over the Flame Sensor's glass surface to simulate a no-flame condition, then, remove the rag (and expose to a light source) to simulate a flame condition. If the *Flame Sensor* is operating properly, the ohmmeter should register high resistance (i.e., 100K  $\Omega$  +) when the glass surface is covered and less than 300  $\Omega$  when exposed to a light source. If these resistance numbers cannot be obtained, the *Flame Sensor* must be replaced; reference the Flame Sensor's "Replacement Procedure" in this section. Reference Section 10 for spare parts information.

**Cleaning Tips/Maintenance:** For light dirt, dust, and/or carbon deposits, simply wipe off the *Flame Sensor* with a soft cloth. Should heavy carbon deposits exist, completely remove the *Flame Sensor* from the *Photo Disc* and clean with brake cleaner; reference Figure 15.

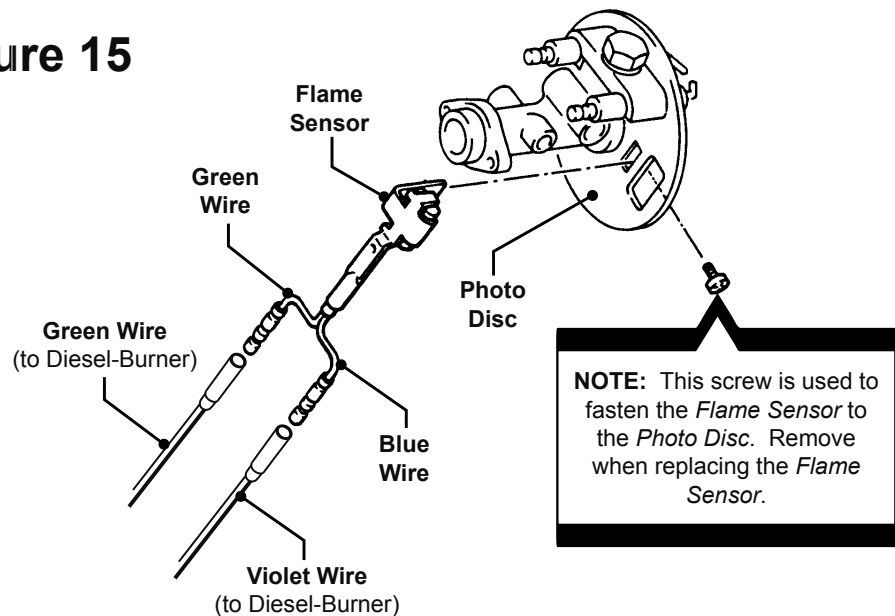
**Adjustment Procedure:** N/A

**Replacement Procedure:**

1. Remove the *Screw*, which fastens the *Flame Sensor* to the *Photo Disc* and detach the sensor's *Green* and *Blue* wires from the C-Plug Harness' *Green* and *Violet* wires; reference Figure 15.
2. Slide the tab of the new *Flame Sensor* into the provided slot in the *Photo Disc* and secure in place with the screw; reference Figure 15. Connect the Flame Sensor's *Green* wire to the *Green* C-Plug Harness wire and the *Blue* wire to the C-Plug Harness' *Violet* wire; reference Figure 15.

## Flame Sensor, continued

### Figure 15



## Ignition Electrodes

### 8.5 Ignition Electrodes

**Function:** The Diesel-Burner's *Ignition Coil* (reference Figure 24) produces a high voltage ignition spark across the *Ignition Electrodes*, which ignites the incoming air/fuel mixture.

**NOTE:** The functionality of each component can be determined by completing the manual checks, as listed under the "Component Test" area for each individual component, or the components can be tested by using a "Controller Tester." Reference Section 11 for Special Tools information.

**NOTE:** In order to perform the following procedures, it is necessary to detach and reattach the *Diesel-Burner Head*. Therefore, be sure to review Section 8.2 for detaching and reattaching instructions.

**Component Test:** N/A

**Cleaning Tips/Maintenance:** Polish away any carbon deposits, which may have baked onto the metal tips of the *Ignition Electrodes* with a Scotch Brite® pad (or similar); reference Figure 16. If the Ignition Electrode's *electrical insulator* (reference Figure 16) is cracked and/or damaged, the *Ignition Electrode* must be replaced; reference the Ignition Electrode "Replacement Procedure" in this section. Reference Section 10 for spare parts information.

**NOTE:** The *Electrode Adjustment Gauge* is used to set the gap between the *Ignition Electrodes*. The *Electrode Adjustment Gauge* is located on the outside surface of the *Diesel-Burner Head* on the left side.

**Adjustment Procedure:** An adjustment of the *Ignition Electrodes* can be accomplished by performing the following procedure:

1. Slightly loosen the *Retaining Clamp Bolt*; reference Figure 16.
2. Place the *Electrode Adjustment Gauge* on the *Fuel Nozzle Manifold Hex* (reference Figure 17) and insert the metal tips of the *Ignition Electrodes*

**Ignition  
Electrodes,**  
continued

into the appropriate notches of the *Electrode Adjustment Gauge* as illustrated in Figure 16.

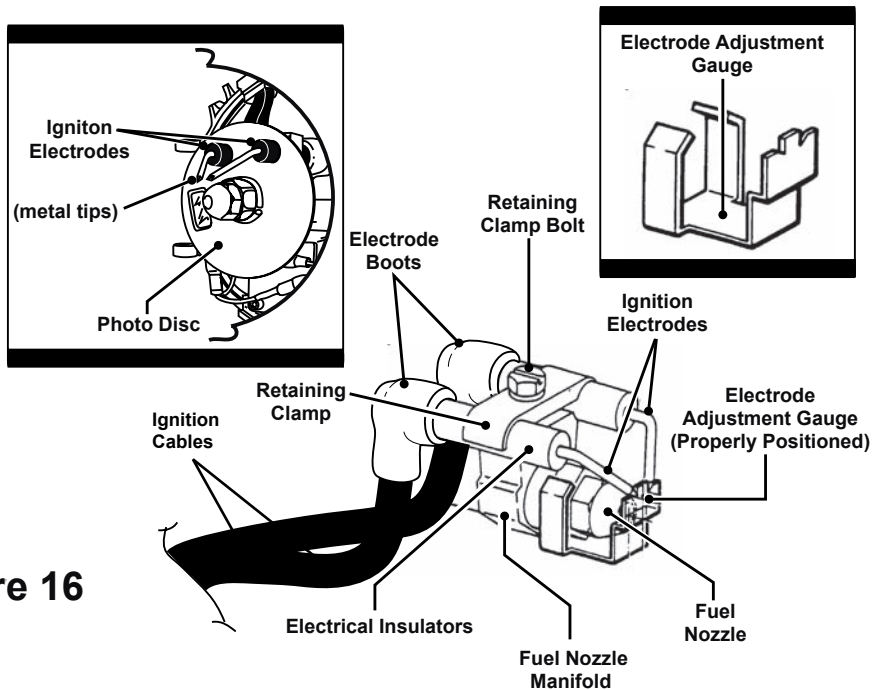
3. Tighten the *Retaining Clamp Bolt*.

**NOTE:** Be sure not to overtighten the *Retaining Clamp Bolt* when readjusting the *Ignition Electrodes*. Overtightening the *Retaining Clamp Bolt* will bend the *Retaining Clamp* and prevent the *Photo Disc* from floating freely (i.e., loose fit). Not allowing the *Photo Disc* to float freely will cause poor combustion and result in a smoky exhaust. A bent *Retaining Clamp* can be restraightened with a punch and hammer. Lay the clamp's beveled side down on a solid flat surface and align the thick end of the punch at dead center. Tap the punch lightly until the *Retaining Clamp* returns to proper form (i.e., flat).

4. Remove the *Electrode Adjustment Gauge* and reattach to the *Diesel-Burner Head*.

**Replacement Procedure:**

1. Disconnect the *Ignition Cables* from the *Ignition Electrodes* and slightly loosen the *Retaining Clamp Bolt* just enough to allow the *Ignition Electrodes* to be removed; reference Figure 16.
2. Slide the new *Ignition Electrodes* up through the *Retaining Clamp* and *Photo Disc*. Do not tighten the *Retaining Clamp Bolt* at this time.
3. Perform Steps 2 through 4 of this section's "Adjustment Procedure" to complete the *Ignition Electrode* installation. Once Steps 2 through 4 have been performed, reconnect the *Ignition Cables* to the *Ignition Electrodes*; reference Figure 16.



**Figure 16**

## SECTION 8: DIESEL-BURNER SERVICE, MAINTENANCE, AND REPAIR INFORMATION

### Fuel Nozzle

#### 8.6 Fuel Nozzle

**Function:** The *Fuel Nozzle* is simply a fuel atomizer. It reduces the diesel fuel into a fine spray, which is mixed with incoming combustion air and ignited within the *Combustion Chamber*.

**NOTE:** The functionality of each component can be determined by completing the manual checks, as listed under the “Component Test” area for each individual component, or the components can be tested by using a “Controller Tester.” Reference Section 11 for Special Tools information.

**NOTE:** In order to perform the following procedures, it is necessary to detach and reattach the *Diesel-Burner Head*. Therefore, be sure to review Section 8.2 for detaching and reattaching instructions.

**Component Test:** Remove both *Ignition Cables* from the *Ignition Electrodes*; reference Figure 16.



**WARNING:** Failure to remove the *Ignition Cables/Electrode Boots* from the *Ignition Electrodes* (reference Figure 16), will result in a **HIGH VOLTAGE** shock and/or a fire. Also, be sure to place a piece of electrical tape on the end of each Electrode Boot.

Remove the *B-Plug* from the Diesel-Burner’s *Controller*; reference Figure 8. Turn the “*Diesel*” switch **ON** (reference Figure 4), then, plug the *B-Plug* back into the *Controller* to activate the *Diesel-Burner*. After approximately 20 seconds, the *Fuel Solenoid* will “click” and a fine mist of fuel should appear from the *Fuel Nozzle* in a cone-shaped spray pattern. Remove the *B-Plug* from the *Controller*. If the cone-shaped spray pattern did not appear, the *Fuel Nozzle* must be replaced; reference the Fuel Nozzle’s “Replacement Procedure” in this section. Reference Section 10 for spare parts information.

**Cleaning Tips/Maintenance:** The *Fuel Nozzle* is a precision calibrated part and **cannot** be cleaned or serviced. A replacement of the *Fuel Nozzle* is recommended annually. Reference Section 8.1 for maintenance information.

**Adjustment Procedure:** N/A

#### **Replacement Procedure:**

1. Use a 3/4 in. wrench to hold the *Fuel Nozzle Manifold Hex* while loosening the *Fuel Nozzle* with a 5/8 in. wrench; reference Figure 17.

**NOTE:** Be sure to use care when handling the new *Fuel Nozzle*. Oils and/or small dust or dirt particles from your hands may plug the nozzle’s small orifice. A partially plugged orifice will restrict fuel flow, which will affect the combustion process of the *Diesel-Burner* (i.e., excessive smoking).

2. When replacing the *Fuel Nozzle*, be sure to tighten the nozzle, loosen it a 1/4 turn, then, firmly retighten. This will establish a seated fit and avoid any leaks.

**NOTE:** An adjustment of the *Ignition Electrodes* may be necessary after replacing the *Fuel Nozzle*. Reference Section 8.5 for the Ignition Electrode “Adjustment Procedure.”

3. After replacing the *Fuel Nozzle*, reattach the *Diesel-Burner Head*.

## SECTION 8: DIESEL-BURNER SERVICE, MAINTENANCE, AND REPAIR INFORMATION

Fuel  
Nozzle,  
continued



**WARNING:** Be sure to reattach the *Diesel-Burner Head* prior to switching the heater **ON**. Failure to do so may result in ignition of the *Diesel-Burner* and serious bodily injury.

4. Turn **ON** the “*Diesel*” switch (reference Figure 4) for 5 seconds, then turn it **OFF**. This will activate the Diesel-Burner’s prime-cycle (will operate the Diesel-Burner’s “Motor” for 2-3 minutes) and flush the fuel system of any potential contaminants. Perform this procedure twice.

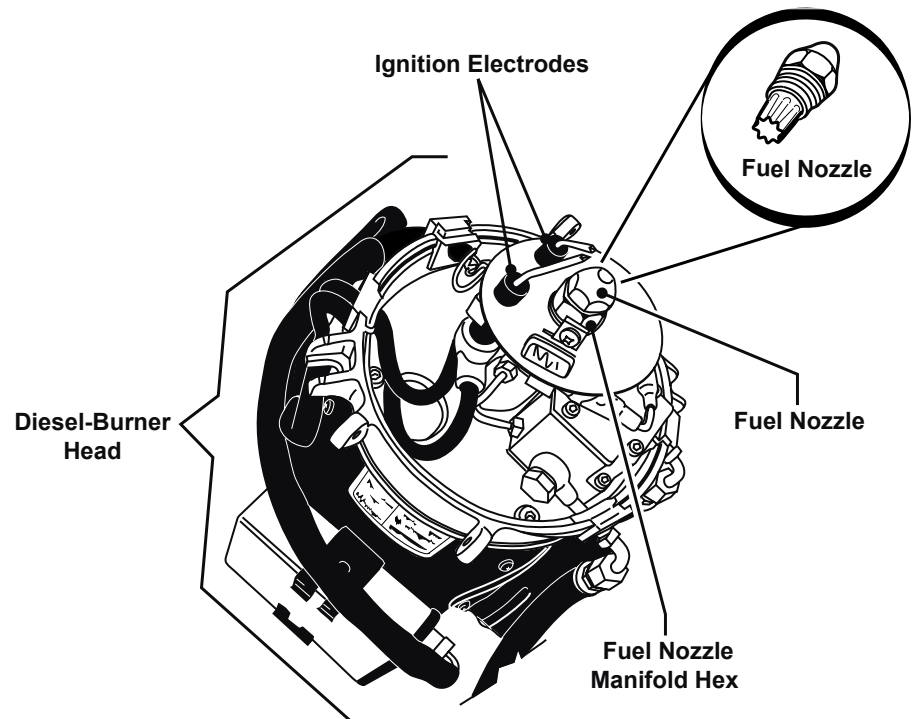
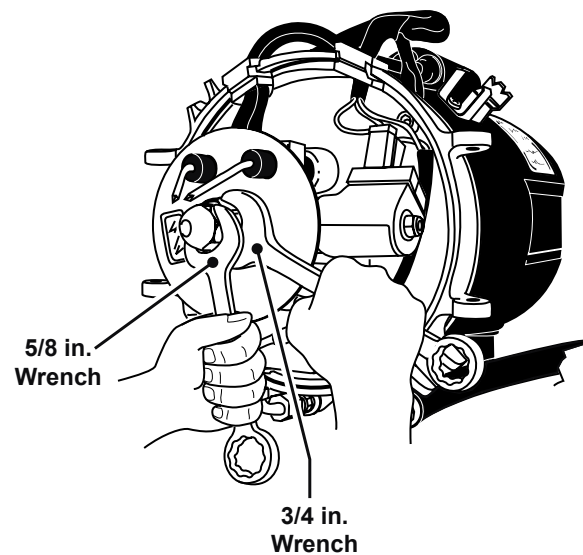


Figure 17



## Fuel Solenoid Valve

### 8.7 Fuel Solenoid Valve

**Function:** The *Fuel Solenoid Valve* allows the flow of diesel fuel to the Diesel-Burner's *Fuel Nozzle*.

**NOTE:** In order to perform the following procedures, it is necessary to detach and reattach the *Diesel-Burner Head*. Therefore, be sure to review Section 8.2 for detaching and reattaching instructions.

**NOTE:** The functionality of each component can be determined by completing the manual checks, as listed under the "Component Test" area for each individual component, or the components can be tested by using a "Controller Tester." Reference Section 11 for Special Tools information.

**Component Test:** Locate and detach the C-Plug Harness' *Violet (+)* and *Brown (-)* wires from the *Fuel Solenoid Valve*. Connect the (-) lead of a 12 Volt-DC power supply to the Fuel Solenoid's (-) *Electrical Terminal*; reference Figure 18. Now, intermittently apply the (+) lead of the power supply to the Fuel Solenoid's (+) *Electrical Terminal* and listen for the *Fuel Solenoid* to click (i.e., open and close). If the *Fuel Solenoid* does not click, it must be replaced; reference the Fuel Solenoid Valve's "Replacement Procedure" below. Reference Section 10 for spare parts information.

**Cleaning Tips/Maintenance:** N/A

**Adjustment Procedure:** N/A

#### Replacement Procedure:

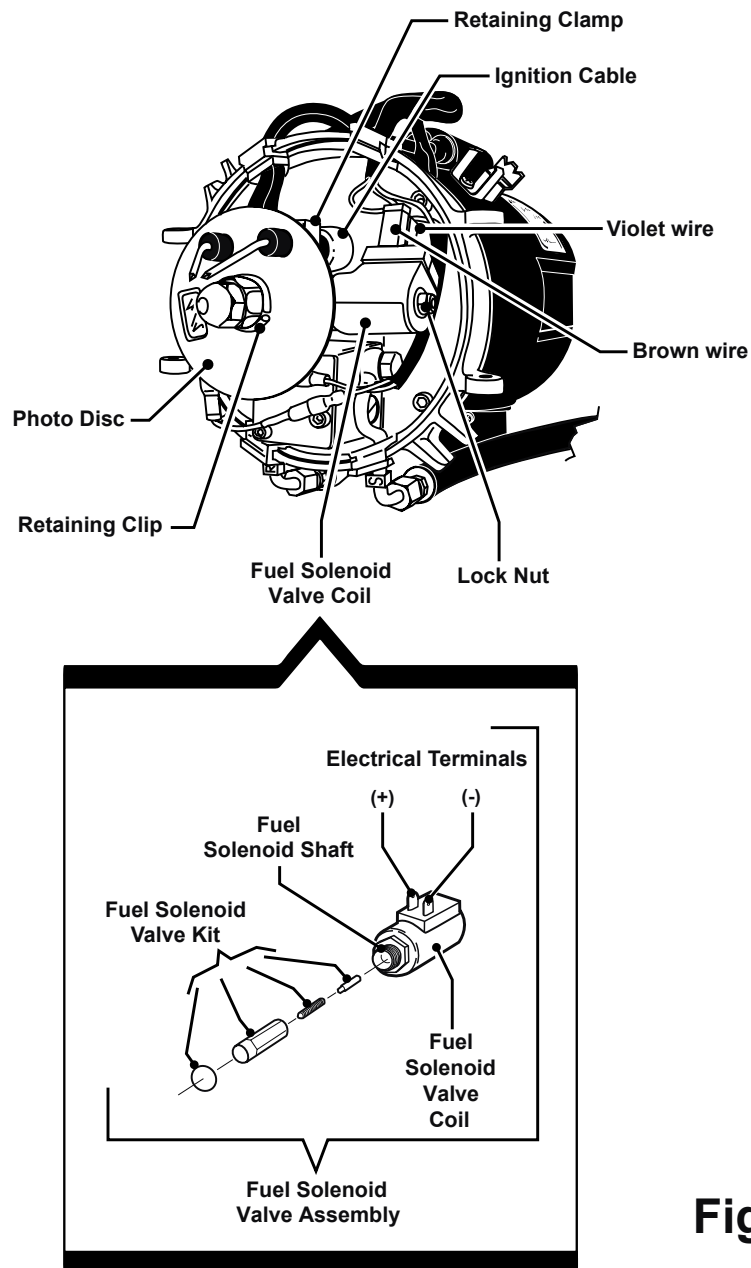
1. Disconnect the *Ignition Cables* from the *Ignition Electrodes* and loosen the *Retaining Clamp Bolt*; reference Figure 16.
2. Remove the *Retaining Clip*, which secures the *Photo Disc* in place. Gently lift the *Photo Disc* (with *Flame Sensor* attached) so that it releases from the *Fuel Nozzle Manifold* and the *Ignition Electrodes*; reference Figures 16 and 19.
3. Disconnect the C-Plug Harness' *Violet (+)* and *Brown (-)* wires from the *Fuel Solenoid Valve*; reference Figure 18.
4. Remove the four *Fuel Nozzle Manifold Plate Screws*, which secure the *Fuel Nozzle Manifold Plate* in place; reference Figure 19. Remove the *Fuel Nozzle Manifold Plate* by pulling on the *Fuel Nozzle Manifold* until the plate releases from the cast-aluminum *Blower Casting*; reference Figures 13 and 19.
5. Remove the *Lock Nut* and *Flat Washer* from the end of the *Fuel Solenoid Shaft*, then, remove the *Fuel Solenoid Valve Coil*. With a 5/8 wrench, now remove the *Fuel Solenoid Shaft* from the *Fuel Nozzle Manifold*. Discard the shaft and valve kit, as replacements are provided with the new *Fuel Solenoid Assembly*; reference Figure 18.
6. Insert the contents of the new *Fuel Solenoid Valve Kit* into the new *Fuel Solenoid Shaft* as illustrated in Figure 18. Thread the new *Fuel Solenoid Shaft* to the *Fuel Nozzle Manifold* and tighten. Slide the new *Fuel Solenoid Valve Coil* onto the *Fuel Solenoid Shaft* and secure in place with the new *Flat Washer* and *Lock Nut*.



## SECTION 8: DIESEL-BURNER SERVICE, MAINTENANCE, AND REPAIR INFORMATION

### Fuel Solenoid Valve, continued

7. Fit the *Fuel Nozzle Manifold Plate* inside the cast-aluminum *Blower Casting* and secure in place with the four *Fuel Nozzle Manifold Plate Screws*.
8. Reinstall the *Photo Disc* and secure in place with the *Retaining Clip*. Connect the *C-Plug Harness' Violet (+)* and *Brown (-)* wires to the Fuel Solenoid Valve's (+) and (-) *Electrical Terminals*; reference Figure 18.
9. Perform the Ignition Electrodes' "Adjustment Procedure" in Section 8.5 to complete the *Fuel Solenoid Valve* installation.



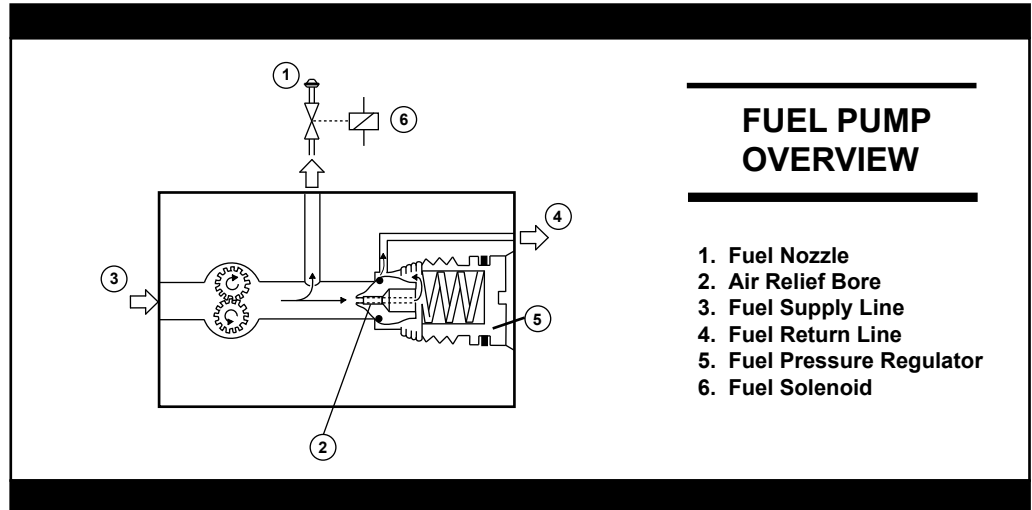
**Figure 18**

## SECTION 8: DIESEL-BURNER SERVICE, MAINTENANCE, AND REPAIR INFORMATION

### Fuel Pump

#### 8.8 Fuel Pump

**Function:** The *Fuel Pump* draws diesel fuel from the vehicle's fuel tank and creates a preset pressure of 145 psi (required for proper fuel atomization). Reference the illustration below for a basic overview and understanding of how the *Fuel Pump* operates.



**NOTE:** The functionality of each component can be determined by completing the manual checks, as listed under the “Component Test” area for each individual component, or the components can be tested by using a “Controller Tester.” Reference Section 11 for Special Tools information.

**NOTE:** In order to perform some of the following procedures, it may be necessary to detach and reattach the *Diesel-Burner Head*. Therefore, be sure to reference Section 8.2 for detaching and reattaching instructions.

#### Component Test:

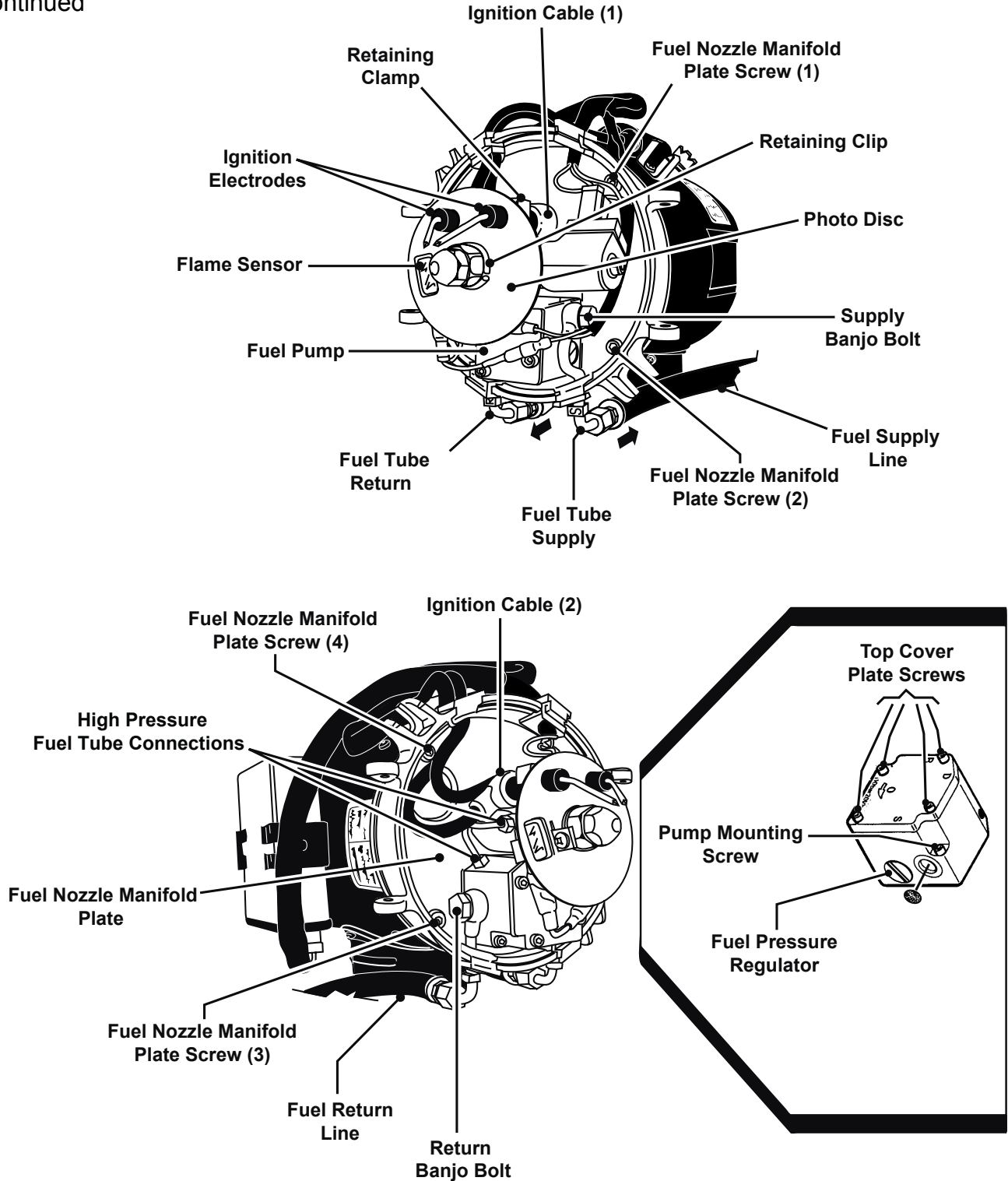
Clamp off and remove the Aqua-Hot's *Fuel Return* and *Fuel Supply Lines*; reference Figure 1. Attach a short piece of fuel line to both the Aqua-Hot's *Fuel Return* and *Fuel Supply* ports; reference Figure 1. Submerge the opposite end of the temporary fuel supply line in a container of diesel fuel. Place the opposite end of the temporary fuel return line in an empty container. Turn the “*Diesel*” switch **ON** to activate the *Diesel-Burner*; reference Figure 4. If fuel does not flow out of the return line into the empty container, the *Fuel Pump* must be replaced; reference the Fuel Pump's “Replacement Procedure” in this section. Reference Section 10 for spare parts information.

#### Cleaning Tips/Maintenance:

1. Check all *Fuel Connections* for tightness (i.e., *Banjo Bolts*, *High Pressure Fuel Pipe Connections*); reference Figure 19.

# SECTION 8: DIESEL-BURNER SERVICE, MAINTENANCE, AND REPAIR INFORMATION

## Fuel Pump, continued



**Figure 19**

## SECTION 8: DIESEL-BURNER SERVICE, MAINTENANCE, AND REPAIR INFORMATION

### Fuel Pump, continued

#### Fuel Pressure Function Test:

##### NOTES:

**A:** A *Fuel Pressure Gauge* (reference Section 11 for special tools information) is used to properly check the Fuel Pump's pressure setting; reference Figure 21. The *Fuel Pump* is preset to 145 psi (the pressure required for proper fuel atomization at the *Fuel Nozzle*). Perform the following procedures to check for a proper fuel pressure setting.

**B:** Be sure to use care when handling the *Fuel Nozzle*. Oils and/or small dust or dirt particles from your hands may plug the nozzle's small orifice; reference Figure 9. A partially plugged orifice will restrict fuel flow, which will affect the combustion process of the *Diesel-Burner* (i.e., excessive smoking from the exhaust pipe).

1. Remove the *Fuel Nozzle* (reference Figure 17) and replace it with the *Fuel Pressure Gauge*; reference Figure 21.



**WARNING:** A spark will appear across the *Ignition Electrodes* (reference Figure 16) for a brief moment after the *Diesel-Burner* has been activated. **DO NOT** attempt to make any fuel pressure adjustments until the spark has disappeared. Failure to do so may result in serious bodily injury (i.e., an **electrical shock**).

2. Turn the "Diesel" switch **ON**; reference Figure 4. A pressure will register on the *Fuel Pressure Gauge* once the *Fuel Solenoid* opens (after approximately 10-25 seconds).
3. If the *Fuel Pressure Gauge* registers a 145 psi pressure reading, no pressure adjustment is necessary. Turn the "Diesel" switch **OFF** and wait until the motor stops running. Remove the *Fuel Pressure Gauge* and reinstall the *Fuel Nozzle* (reference Section 8.6 for the Fuel Nozzle's "Replacement Procedure"). Reattach the *Diesel-Burner Head*.

**NOTE:** If the *Fuel Pressure Gauge* registers below or above 145 psi, perform the adjustment procedures listed below.

#### Fuel Pressure Adjustment Procedure:

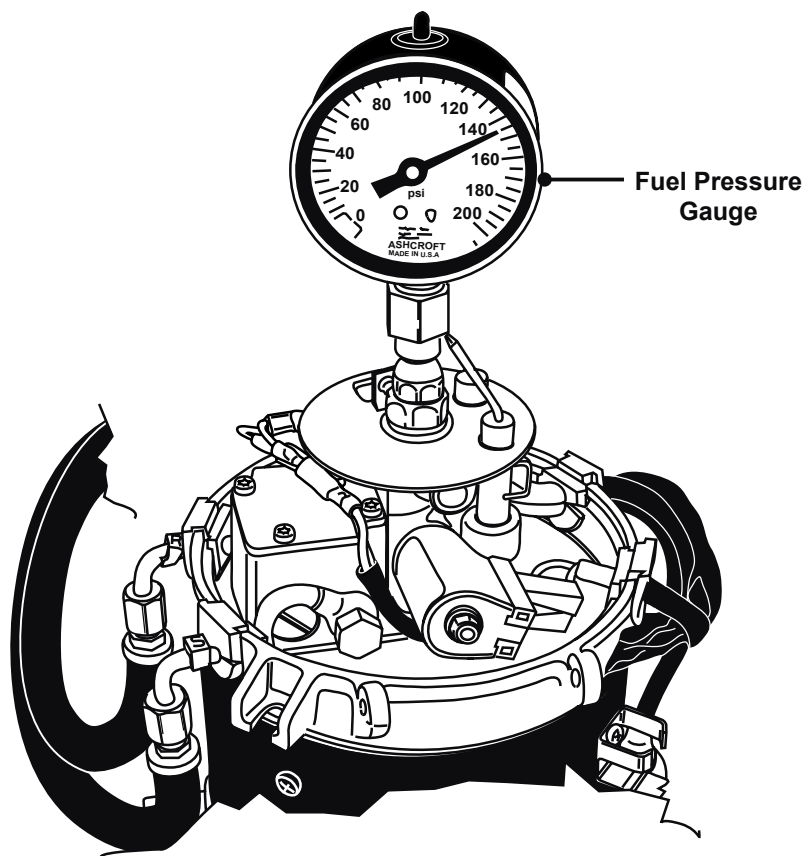
1. Turn the "Diesel" switch **ON** and wait until a pressure reading registers on the *Fuel Pressure Gauge* (after approximately 10-25 seconds). Then, adjust the fuel pressure by simply turning the *Pressure Regulator Adjustment Screw* clockwise to increase fuel pressure or counterclockwise to decrease fuel pressure; reference Figure 21.

**NOTE:** If the fuel pressure will not maintain a 145 psi setting, the *Fuel Pump* must be replaced; reference the Fuel Pump's "Replacement Procedure" in this section. Also, reference Section 10 for spare parts information.

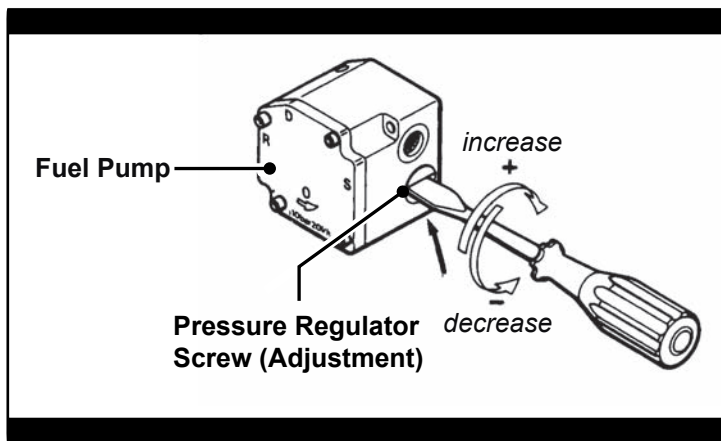
2. Once the pressure adjustment has been made, turn the "Diesel" switch **OFF** and wait until the motor stops running. Remove the *Fuel Pressure Gauge* and reinstall the *Fuel Nozzle* (reference Section 8.6 for the Fuel Nozzle's "Replacement Procedure"). Reattach the *Diesel-Burner Head*.

SECTION 8: DIESEL-BURNER SERVICE, MAINTENANCE, AND REPAIR INFORMATION

**Fuel Pump,**  
continued



**Figure 20**



**Figure 21**

## SECTION 8: DIESEL-BURNER SERVICE, MAINTENANCE, AND REPAIR INFORMATION

### Fuel Pump, continued

#### Replacement Procedure:

1. Locate and disconnect the C-Plug Harness wires, which connect to the *Flame Sensor* and the *Fuel Solenoid Valve*; reference Figures 3, 15, and 18. Also, disconnect the *Ignition Cables* from the *Ignition Electrodes*; reference Figures 16 and 19.
2. Remove the *Retaining Clip*, which secures the *Photo Disc* in place; reference Figure 19. Gently lift the *Photo Disc* (with *Flame Sensor* attached) so that it releases from the *Fuel Nozzle Manifold* and the *Ignition Electrodes*; reference Figures 16 and 19.
3. Clamp off both the *Fuel Supply Line* and *Return Line* from the *Diesel-Burner Head*; reference Figures 19 and 22. Loosen the *Supply* and *Return Banjo Bolts* to remove both Fuel Tubes (with the fuel lines attached) from the *Fuel Pump*; reference Figures 19 and 22. Also, disconnect the *High Pressure Fuel Tube* from both the *Fuel Pump* and the *Fuel Nozzle Manifold*; reference Figures 19 and 22. Discard the *High Pressure Fuel Tube*, *Gasket Rings*, *Banjo Bolts*, and *Grommets*, as these replacements are provided in the new Fuel Pump Kit. Reference Section 10 for spare parts information.
4. Remove the four *Fuel Nozzle Manifold Plate Screws*, which secure the *Fuel Nozzle Manifold Plate* in place; reference Figure 19. Remove the *Fuel Nozzle Manifold Plate* by pulling on the *Fuel Nozzle Manifold* until the plate releases from the cast-aluminum *Blower Casting*; reference Figures 13 and 19.
5. Remove the two *Fuel Mounting Screws*, which secure the *Fuel Pump* in place; reference item 70 of Figure 22. Turn the *Fuel Nozzle Manifold Plate* over and remove the *Snap Ring* from the Fuel Pump shaft using Snap Ring pliers; reference item 77 of Figure 22. Remove the nylon *Fuel Pump Gear*, then the *Fuel Pump*; reference items 88 and 72 of Figure 22.
6. Attach the new *Fuel Pump* to the *Fuel Nozzle Manifold Plate* with the two *Fuel Pump Mounting Screws*. Turn the *Fuel Nozzle Manifold Plate* over to install the nylon *Fuel Pump Gear* on the Fuel Pump's shaft and secure in place with the *Snap Ring*. Dab the teeth of the nylon *Fuel Pump Gear* with white lithium grease (Isoflex LDS-18 is recommended).

#### **NOTES:**

- A:** All new Fuel Pumps are factory preset to 145 PSI; therefore, no fuel pressure adjustment is necessary.
- B:** Inspect the nylon Fuel Pump Gear's cavity inside the cast aluminum *Blower Casting* for fuel stains. If fuel stains are present, a replacement of the *Bearings* and/or the entire *Blower Casting* may be necessary (leaking fuel could cause *Bearing* seizure, resulting in potential damage to the internal bore/bearing cavity of the *Blower Casting*). Reference Section 8.9 for the Bearing "Replacement Procedure" and contact the Technical Support Department at **1-800-685-4298** for additional assistance.

7. Fit the *Fuel Nozzle Manifold Plate* inside the cast-aluminum *Blower Casting*

## SECTION 8: DIESEL-BURNER SERVICE, MAINTENANCE, AND REPAIR INFORMATION

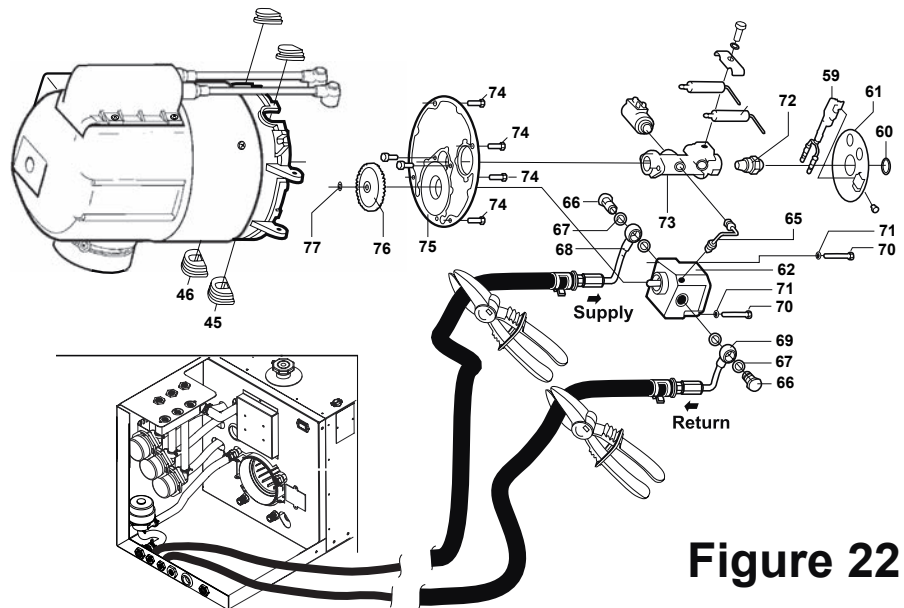
### Fuel Pump, continued

and secure in place with the four *Fuel Nozzle Manifold Plate Screws*. Install the new *Grommets* on both *Fuel Tubes* (Supply and Return) and secure the tubes to the *Fuel Pump* with the new *Banjo Bolts* and *Gasket Rings*; reference Figures 19 and 22.

**NOTE:** Reference Figure 22 for the correct order placement of the (4) *Gasket Rings*. Failure to use the new *Gasket Rings*, and/or the correct order placement, will result in a leaky Fuel Pump.

8. Reconnect the C-Plug Harness' *Violet (+)* and *Brown (-)* wires to the Fuel Solenoid's (+) and (-) *Electrical Terminals*; reference Figure 18. Insert both *Ignition Cables* into the new rubber *Grommet* and slide into the appropriate notch on the *Blower Casting*; reference Figure 19. Reconnect the *Ignition Cables* to the *Ignition Electrodes*, then remove the fuel line clamps from both the *Fuel Return Line* and the *Fuel Supply Line*; reference Figure 19.
9. Reinstall the *Photo Disc* and secure it in place with the *Retaining Clip*; reference Figure 19. Reconnect the Flame Sensor's *Green* wire to the *Green* C-Plug Harness wire and the *Blue* wire to the C-Plug Harness' *Violet* wire; reference Figure 15.

**NOTE:** Check the *Ignition Electrodes* for proper adjustment; reference Steps 2 through 4 of the "Adjustment Procedure" in Section 8.5 to ensure proper *Ignition Electrode* adjustment.



**Figure 22**

- |                                   |                                 |
|-----------------------------------|---------------------------------|
| 45 Grommet, Blower Casting, Left  | 69 Tube, Fuel, Banjo, Return    |
| 46 Grommet, Blower Casting, Right | 70 Screw, Mounting, Fuel Pump   |
| 59 Sensor, Flame                  | 71 Washer, Lock, Fuel Pump      |
| 60 Clip, Retaining, Photo Disc    | 72 Nozzle, Fuel, 0.35 GPH       |
| 61 Disc, Photo                    | 73 Manifold, Fuel Nozzle, Brass |
| 62 Pump, Fuel                     | 74 Screw, Manifold Plate        |
| 65 Tube, Fuel, High Pressure      | 75 Plate, Manifold              |
| 66 Bolt, Banjo                    | 76 Gear, Fuel Pump, Nylon       |
| 67 Gasket, Ring, Copper           | 77 Ring, Snap                   |
| 68 Tube, Fuel, Banjo, Supply      |                                 |

## ■ Bearings

### 8.9 Bearings

**Function:** The *Bearings* support the Combustion Air Blower's shaft and allows the blower to turn smoothly.

**NOTE:** The functionality of each component can be determined by completing the manual checks, as listed under the "Component Test" area for each individual component, or the components can be tested by using a "Controller Tester." Reference Section 11 for Special Tools information.

**NOTE:** In order to perform some of the following procedures, it is necessary to detach and reattach the *Diesel-Burner Head*. Therefore, be sure to review Section 8.2 for detaching and reattaching instructions.

**Function Test:** Remove the *Motor* (reference Section 8.3 for the Motor's "Replacement Procedure") and spin the *Combustion Air Blower* by hand (place one of the *Clutch Halves* to the end of the shaft to assist with this spinning exercise). If the *Combustion Air Blower* rotates smoothly without any friction or noise, the *Bearings* are in proper working condition. However, if the *Combustion Air Blower* does not rotate smoothly and/or produces noise, the *Bearings* are worn and must be replaced; reference the Bearings "Replacement Procedure" in this section.

**Component Test:** N/A

**Cleaning Tips/Maintenance:** N/A

**Adjustment Procedure:** N/A

**Replacement Procedure:**

1. Clamp off and remove the *Fuel Supply Line* and *Fuel Return Line* from the *Diesel-Burner Head*; reference Figures 19 and 22.
2. Locate and disconnect the *C-Plug Harness wires*, which connect to the *Flame Sensor* and *Fuel Solenoid*; reference Figures 3, 15, and 18. Also, disconnect the *Ignition Cables* from the *Ignition Electrodes*; reference Figures 16 and 19.
3. Remove the four *Fuel Nozzle Manifold Plate Screws*, which secure the *Fuel Nozzle Manifold Plate* in place; reference Figure 19. Remove the *Fuel Nozzle Manifold Plate* by pulling on the *Fuel Nozzle Manifold* until the plate releases from the cast-aluminum *Blower Casting*; reference Figures 13, 16, and 19.
4. Remove the four *Ignition Coil Mounting Screws*, which secure the *Ignition Coil* to the *Protection Housing*; reference Figure 13. Lift the *Ignition Coil* and disconnect its *Black (+)* and *Brown (-)* wires from the *C-Plug Harness wires*, prior to removing; reference Figures 3 and 24. Remove the *Protection Housing* from the *Diesel-Burner* to expose the *Motor* and *Clutch Halves*; reference Figures 12, 13 and 14.
5. Remove the three *Hex Head Screws*, which secure the *Motor* and *Motor Flange* to the *Blower Housing*; reference Figure 13. Remove the *Motor* and flange assembly along with the *Clutch Halves*; reference Figures 13 and 14. Disconnect the Motor's *Black (+)* and *Brown (-)* wires from the *C-Plug Harness' wires*; reference Figure 13.



## SECTION 8: DIESEL-BURNER SERVICE, MAINTENANCE, AND REPAIR INFORMATION

### Bearings, continued

**NOTE:** Inspect the *Clutch Halves* for cracks and ensure that the flat portion in each shaft hole is free of wear and tear. Too much play on the shaft produces a loud clacking noise. If any cracks or wear are detected, the *Clutch Half* must be replaced. Reference the Aqua-Hot's "Parts Manual" for spare parts information.

6. Remove the four *Blower Housing Screws*, which secure the *Blower Housing* to the *Blower Casting*; reference Figure 23. Remove the *Blower Housing* to expose the *Combustion Air Blower*; reference Figure 23.

**NOTE:** Be sure to observe the placement of the three *Washers* of the Bearing Kit illustrated in Figure 23. To ensure proper tension, the same order and direction of the dished surfaces of the *Washers* must be followed when reassembling.

7. Hold Side-B of the *Blower Casting* and loosen the *Retaining Nut* located in Side-A of the *Blower Casting*. Remove the *Retaining Nut*, steel *Drive Gear*, and thick *Flat Washer* from the Combustion Air Blower's shaft. Lightly tap the threaded end of the shaft so the *Combustion Air Blower* can be easily removed from the *Blower Casting*.
8. With a pair of Snap-Ring pliers, remove the *Snap Rings* from both Side-A and Side-B of the *Blower Casting*; reference Figure 23. Push all the contents of the Bearing Kit out of the *Blower Casting*'s bore/bearing cavity. Discard the *Retaining Nut*, steel *Drive Gear*, *Snap Rings*, *Bearings*, *Spacer Tube*, and *Washers*, as replacements are provided in the new Bearing Kit.

**NOTE:** Be sure to inspect the *Blower Casting*'s bore/bearing cavity for signs of damage due to potentially seized *Bearings*. If damage is present, the *Blower Casting* must be replaced. Reference the Aqua-Hot's "Parts Manual" for spare parts information.

9. Install a new *Snap Ring* into Side-A of the *Blower Casting*; reference Figure 23. Once the Snap Ring is in place, insert the remaining contents of the new Bearing Kit into Side-B of the *Blower Casting* starting with the *Wave Washer*, as illustrated in Figure 23. Secure the Bearing Kit assembly in place with the remaining *Snap Ring* (Side-B).

#### NOTES:

- A:** Prior to installation, reference Figure 23 for the exact placement of the three *Washers*, which slide over the threaded end of the Combustion Air Blower's shaft. Failure to follow the correct order and direction of the dished surfaces on the *Washers* will result in a restricted rotation of the *Combustion Air Blower*.
- B:** Inspect the *Combustion Air Blower* for warpage and/or damage. If warpage or damage is visible, the *Combustion Air Blower* must be replaced. Reference the Aqua-Hot's "Parts Manual" for spare parts information.

10. Slide the Combustion Air Blower's shaft (with the three washers) up

## SECTION 8: DIESEL-BURNER SERVICE, MAINTENANCE, AND REPAIR INFORMATION

### Bearings, continued

through the Bearing Kit assembly until the threaded portion appears on Side-A of the *Blower Casting*; reference Figure 23. Place the new thick flat *Washer* and steel *Drive Gear* on the threaded end of the Combustion Air Blower's shaft. Thread the new *Retaining Nut* on the Combustion Air Blower's shaft until it is finger tight (**DO NOT TIGHTEN**).

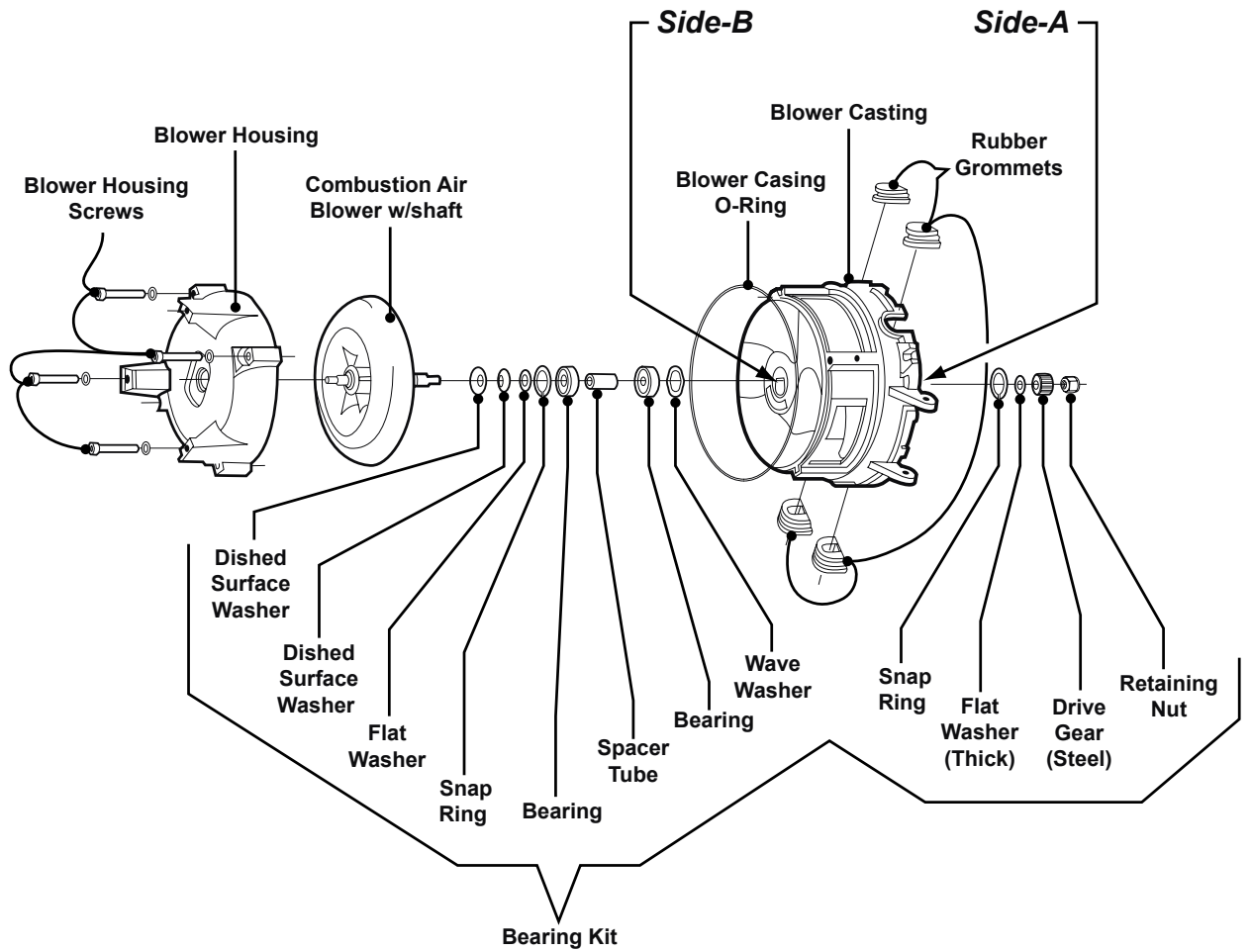
11. Place a feeler gauge between the *Combustion Air Blower* and the flat surface of the *Blower Casting*. Slowly tighten (or loosen) the *Retaining Nut*, holding the *Combustion Air Blower*, until a .003 - .005 gap is achieved.
12. Spin the *Combustion Air Blower* to ensure a friction-free rotation.

**NOTE:** If the *Combustion Air Blower* is rubbing, loosen the *Retaining Nut* slightly and lightly tap on the Combustion Air Blower's shaft (opposite side (i.e., Side-B)), then readjust the gap (repeat Steps 11 and 12).

13. Reattach the *Blower Housing* to the *Blower Casting* using the four *Blower Housing Screws*. Reinstall a *Clutch Half* on both the Motor's shaft and on the Combustion Air Blower's shaft. Attach the *Motor* and flange assembly, with the recessed edge of the *Motor Flange* in-line with the *Wiring Access Slot* of the *Blower Casting*, to the *Blower Housing* with the three *Hex Head Screws*; reference Figures 13 and 14. Reconnect the *Black (+)* and *Brown (-)* wires of the *Motor* to the C-Plug Harness' *Black (+)* and *Brown (-)* wires; reference Figures 13 and 14. Feed the C-Plug Harness' *Yellow* and *Brown* wires back through the *Wiring Access Hole* in the *Protection Housing*; reference Figure 13.
14. Reinstall the *Protection Housing*. Reconnect the *Black (+)* and *Brown (-)* wires of the *Ignition Coil* to the C-Plug Harness' *Yellow (+)* and *Brown (-)* wires; reference Figure 24. Reinstall the *Ignition Coil*, securing it to the *Protection Housing* utilizing the four *Ignition Coil Mounting Screws*; reference Figure 13.
15. Fit the *Fuel Nozzle Manifold Plate* inside the cast-aluminum *Blower Casting* and secure in place with the four *Fuel Nozzle Manifold Plate Screws*. Reattach the *Fuel Supply Line* and *Fuel Return Line* to the *Diesel-Burner Head*.
16. Reconnect the *Violet (+)* and *Brown (-)* wires to the Fuel Solenoid's (+) and (-) *Electrical Terminals*; reference Figure 18. Also, reconnect the Flame Sensor's *Green* wire to the *Green C-Plug Harness wire* and the *Blue* wire to the C-Plug Harness' *Violet wire*; reference Figure 15.

SECTION 8: DIESEL-BURNER SERVICE, MAINTENANCE, AND REPAIR INFORMATION

**Bearings,**  
continued



**Figure 23**

■ Ignition Coil

8.10 Ignition Coil

**Function:** The *Ignition Coil* produces a high voltage ignition spark (approximately 8000 volts), which is released across the metal tips of the *Ignition Electrodes* during the initial *Diesel-Burner* start-up.



**WARNING:** Use extreme care when testing the *Ignition Coil*, as a **High Voltage Shock** may result.

**NOTE:** The functionality of each component can be determined by completing the manual checks, as listed under the “Component Test” area for each individual component, or the components can be tested by using a “Controller Tester.” Reference Section 11 for Special Tools information.

**NOTE:** In order to perform some of the following procedures, it is necessary to detach and reattach the *Diesel-Burner Head*. Therefore, be sure to review Section 8.2 for detaching and reattaching instructions.

**Component Test:** Remove the four *Ignition Coil Mounting Screws*, which secure the *Ignition Coil* in place; reference Figure 13. Disconnect the Ignition Coil’s *Black (+)* and *Brown (-)* wires from the *C-Plug Harness’ Yellow (+)* and *Brown (-)* wires. Connect the Ignition Coil wires directly to a 12 Volt-DC power supply (i.e., *Black (+) wire* to (+) lead and *Brown (-) wire* to (-) lead). Turn the power supply **ON** and watch for a spark to appear across the metal tips of the *Ignition Electrodes*; reference Figure 16. If a spark does not appear, the *Ignition Coil* must be replaced; reference the Ignition Coil’s “Replacement Procedure” below. Reference Section 10 for spare parts information.

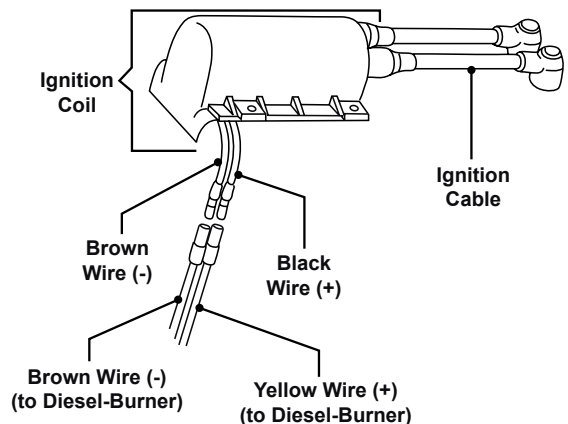
**Cleaning Tips/Maintenance:** N/A

**Adjustment Procedure:** N/A

**Replacement Procedure:**

1. Disconnect the *Ignition Cables* from the *Ignition Electrodes*; reference Figures 16 and 19. Remove the four *Ignition Coil Mounting Screws*, which secure the *Ignition Coil* to the *Protection Housing*; reference Figure 13. Lift the *Ignition Coil* and disconnect its wires from the *C-Plug Harness wires*, prior to removing; reference Figures 3 and 24.
2. Connect the new Ignition Coil’s *Black (+)* and *Brown (-)* wires to the *C-Plug Harness’ Yellow (+)* and *Brown (-)* wires; reference Figure 24. Attach the *Ignition Coil* to the *Protection Housing* with the four *Ignition Coil Mounting Screws*; then, reconnect the *Ignition Cables* to the *Ignition Electrodes*.

Figure 24



**Diesel-Burner  
Controller**

**8.11 Diesel-Burner Controller**

**Function:** The *Controller* operates all the components of the *Diesel-Burner Head* and safely shuts the heater **OFF** in the event of an overheat, flameout, or low voltage condition. It also receives *Diesel-Burner* operation status signals from the *Flame Sensor*, *VDC Control Thermostat*, and *VDC High-Limit Thermostat*.

**NOTE:** The functionality of each component can be determined by completing the manual checks, as listed under the “Component Test” area for each individual component, or the components can be tested by using a “Controller Tester.” Reference Section 11 for Special Tools information.

**Component Test:** The following conditions must exist prior to performing the Controller circuit tests in this section. If one of the conditions below does not exist, please contact the Technical Support Department at **1-800-685-4298** for additional assistance.

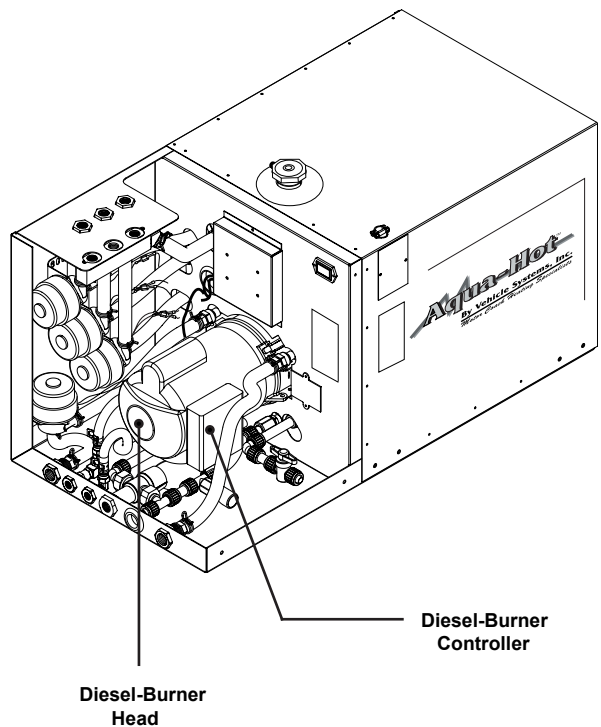
**Condition #1**

A battery voltage level of between 11.5 and 14.0 Volts-DC must be present at the *Diesel-Burner’s Controller* during all testing; reference Figure 25. It may be necessary to perform a voltage check to ensure that this condition exists. To perform the voltage check, locate the Controller’s *B-Plug*, and insert the probes of a DC voltmeter into the *B-4 (+)* and *B-2 (-)* locations; reference Figure 26.

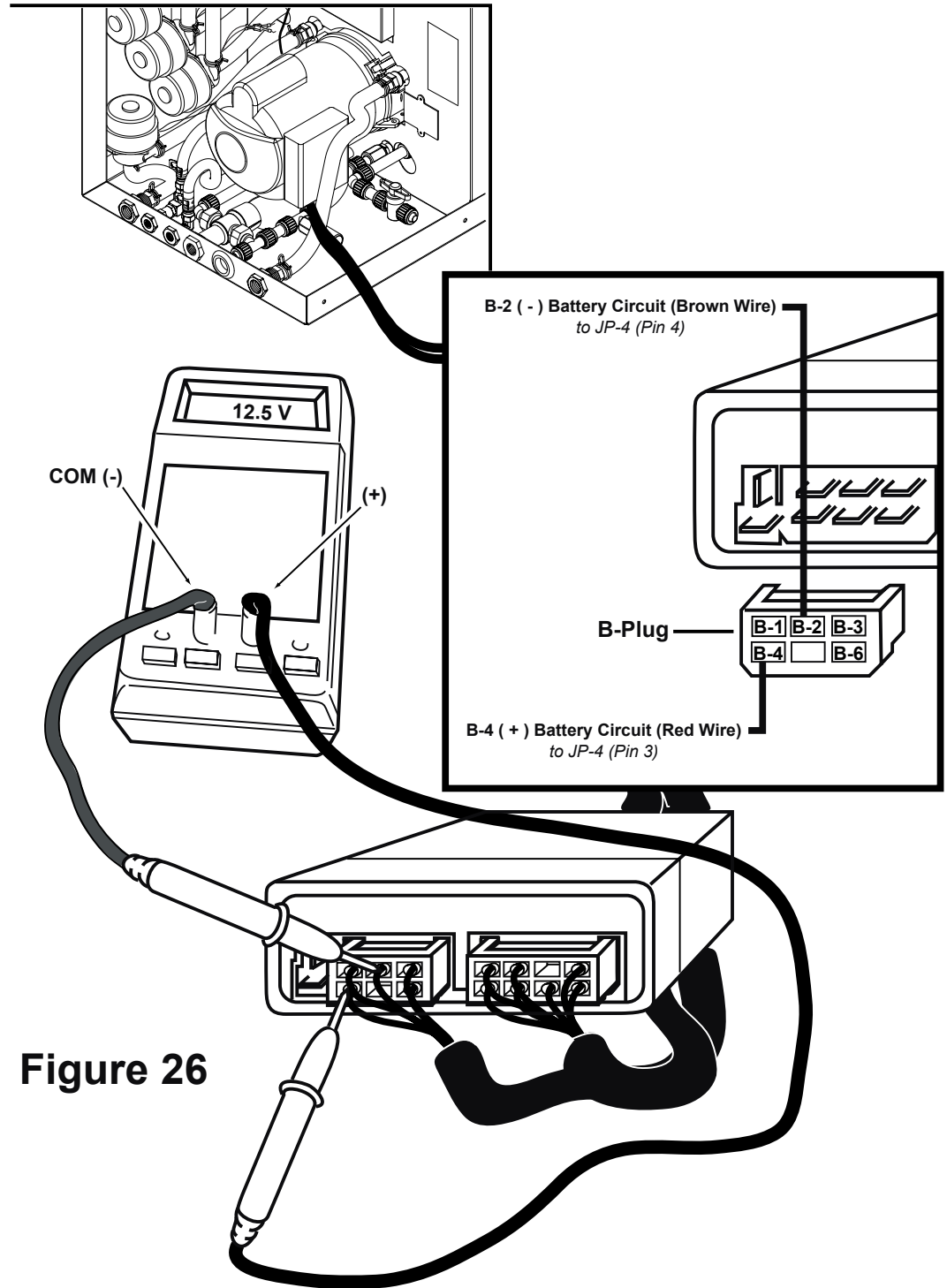
**Condition #2**

A voltage level of between 11.5 and 14.0 volts must be present at the *Diesel-Burner Controller’s ON/OFF* switch circuit during all testing. It may be necessary to perform a voltage check to ensure that this condition exists. To perform the voltage check, locate the Controller’s *B-Plug*, and insert the probes of a DC voltmeter into the *B-1 (+)* and *B-2 (-)* locations; reference Figures 8 and 26. Turn the “*Diesel*” switch **ON** and observe the voltage level; reference Figure 4.

**Figure 25**



**Diesel-Burner  
Controller,  
continued**



**Figure 26**

## SECTION 8: DIESEL-BURNER SERVICE, MAINTENANCE, AND REPAIR INFORMATION

### Diesel-Burner Controller, continued

**NOTE:** If, after performing the following circuit tests, the *Controller* is determined to be defective and must be replaced, reference the Controller's "Replacement Procedure" in this section. Reference Section 10 for spare parts information.

#### **Ground Circuit Test**

Locate the Controller's *B-Plug* and *C-Plug*; reference Figure 8. Insert the probes of a DC voltmeter into the *B-4 (+)* and *C-5 (-)* locations and turn the "Diesel" switch **ON**; reference Figures 4 and 8. If a voltage reading does not register on the voltmeter, the *Controller* must be replaced. If voltage is present, proceed to the next circuit test.

**NOTE:** The temperature of the Aqua-Hot's Boiler Tank must be below 160°F prior to performing the following tests.

#### **VAC/VDC Control Thermostat Circuit Test**

Locate the Controller's *B-Plug* and *C-Plug*; reference Figure 8. Insert the probes of a DC voltmeter into the *C-1 (+)* and *B-2 (-)* locations and turn the "Diesel" switch **ON**; reference Figures 4 and 8. If a voltage reading does not register on the voltmeter, the *Controller* must be replaced. If voltage is present, proceed to the next circuit test.

#### **VDC High-Limit Thermostat Circuit Test**

Locate the Controller's *B-Plug* and *C-Plug*; reference Figure 8. Insert the probes of a DC voltmeter into the *C-4 (+)* and *B-2 (-)* locations and turn the "Diesel" switch **ON**; reference Figures 4 and 8. If a voltage reading does not register on the voltmeter, the *Controller* must be replaced. If voltage is present, proceed to the next circuit test.

#### **Motor Circuit Test**

Locate the Controller's *C-Plug*; reference Figure 8. Insert the probes of a DC voltmeter into the *C-2 (+)* and *C-5 (-)* locations and turn the "Diesel" switch **ON**; reference Figures 4 and 8. If no voltage reading registers on the voltmeter, the *Controller* must be replaced. If voltage is present, proceed to the next circuit test.

#### **Ignition Coil Circuit Test**

Locate the Controller's *C-Plug*; reference Figure 8. Insert the probes of a DC voltmeter into the *C-8 (+)* and *C-5 (-)* locations and turn the "Diesel" switch **ON**; reference Figures 4 and 8. If no voltage reading registers on the voltmeter 18-25 seconds after the Diesel-Burner's initial start-up, the *Controller* must be replaced. If voltage is present, proceed to the next circuit test.

### Diesel-Burner Controller, continued

Cleaning Tips/Maintenance: N/A

Adjustment Procedure: N/A

Replacement Procedure:

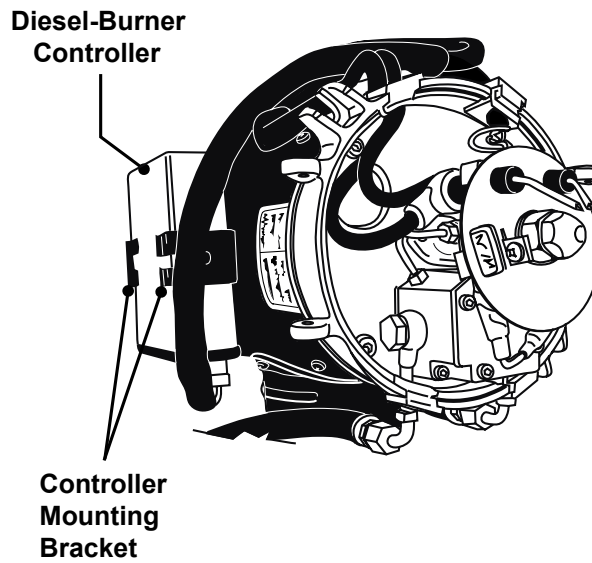
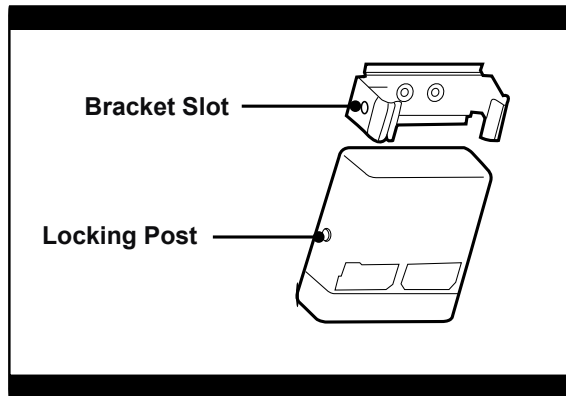
1. Remove both the *B-Plug* and *C-Plug* from the *Controller*; reference Figure 8. Gently pry away each side of the *Controller Mounting Bracket* from the *Controller's locking posts* with a flat-head screwdriver. Once the *locking posts* have been released, pull on the *Controller* to remove it from the *Diesel-Burner Head*.
2. Slide the new *Controller* into the *Controller Mounting Bracket*; reference Figure 27. Push down on the *Controller* until the locking posts snap into the bracket slots. Reinstall both the *B-Plug* and *C-Plug*.

**NOTE:** Be sure to install the *Controller* with its *C-Plug* and *B-Plug* ports facing downward. Failure to do so will result in moisture collecting in the ports and potential damage to the *Controller's* internal circuitry; reference Figure 27.



**Diesel-Burner  
Controller,  
continued**

7.11 Diesel-Burner Controller



**Figure 27**

# WARRANTY INFORMATION

---

## - FOR ALL AQUA-HOT MODELS -

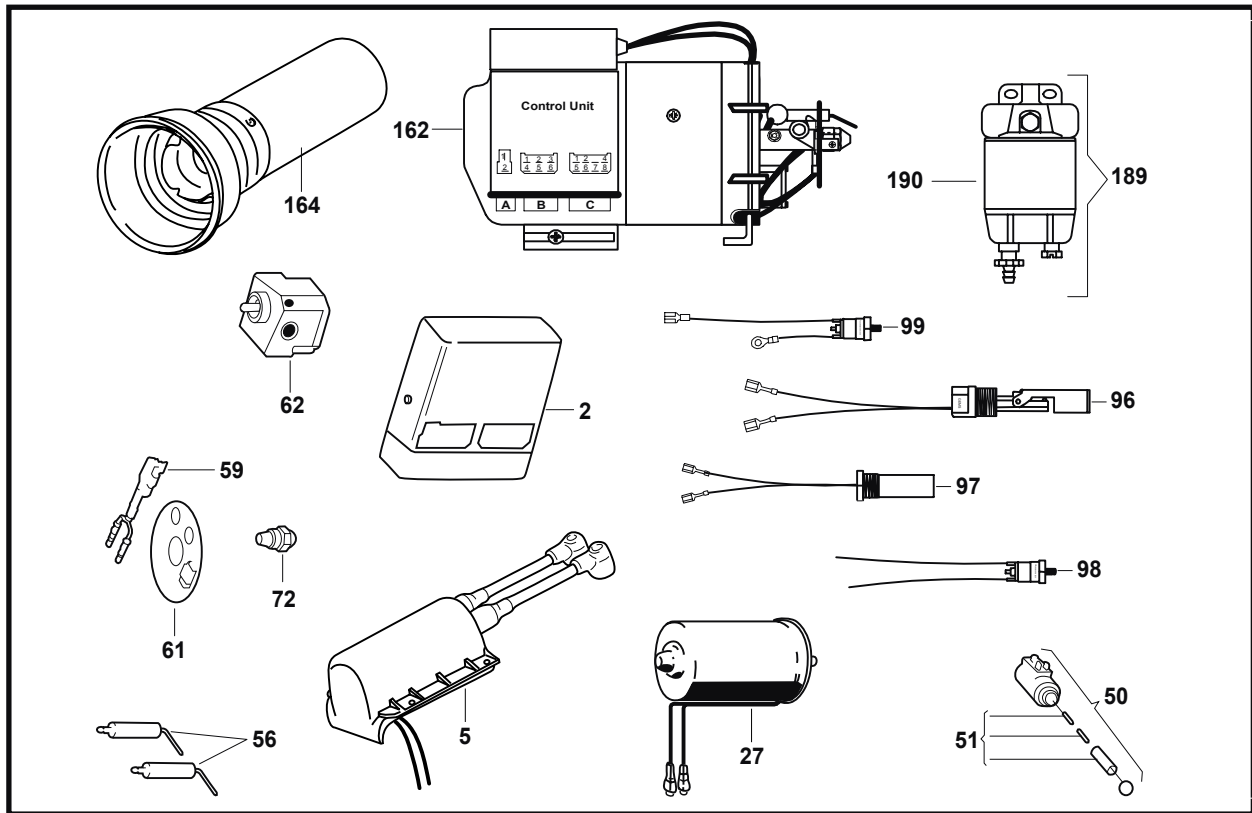
Vehicle Systems, Inc. warrants the AQUA-HOT Heater to be free from defects in material and workmanship under normal use and service for a period of two (2) years on both parts and labor commencing upon the original date of registration of the vehicle. The warranty period may not, however, exceed 36 months from the original “Manufactured Date” by Vehicle Systems, Inc. Replacement parts are warranted for the remainder of the Heater’s standard warranty period or for six months (180 days), whichever is greater.

**This warranty is conditional upon proper use of the Heater by the end-user. This warranty does not apply to damage or failure of the AQUA-HOT Heater, or the vehicle into which it was installed, due to improper installation, assembly, maintenance, abuse, neglect, accident, or the use of parts not supplied by Vehicle Systems, Inc. Vehicle Systems is not responsible for incidental or consequential damages.**

The intent of this warranty is to protect the end-user of the heating system from such defects, which would occur in the manufacture of the product. The warranty is not intended to protect the end-user from problems, which are outside the ability of Vehicle Systems’ control.

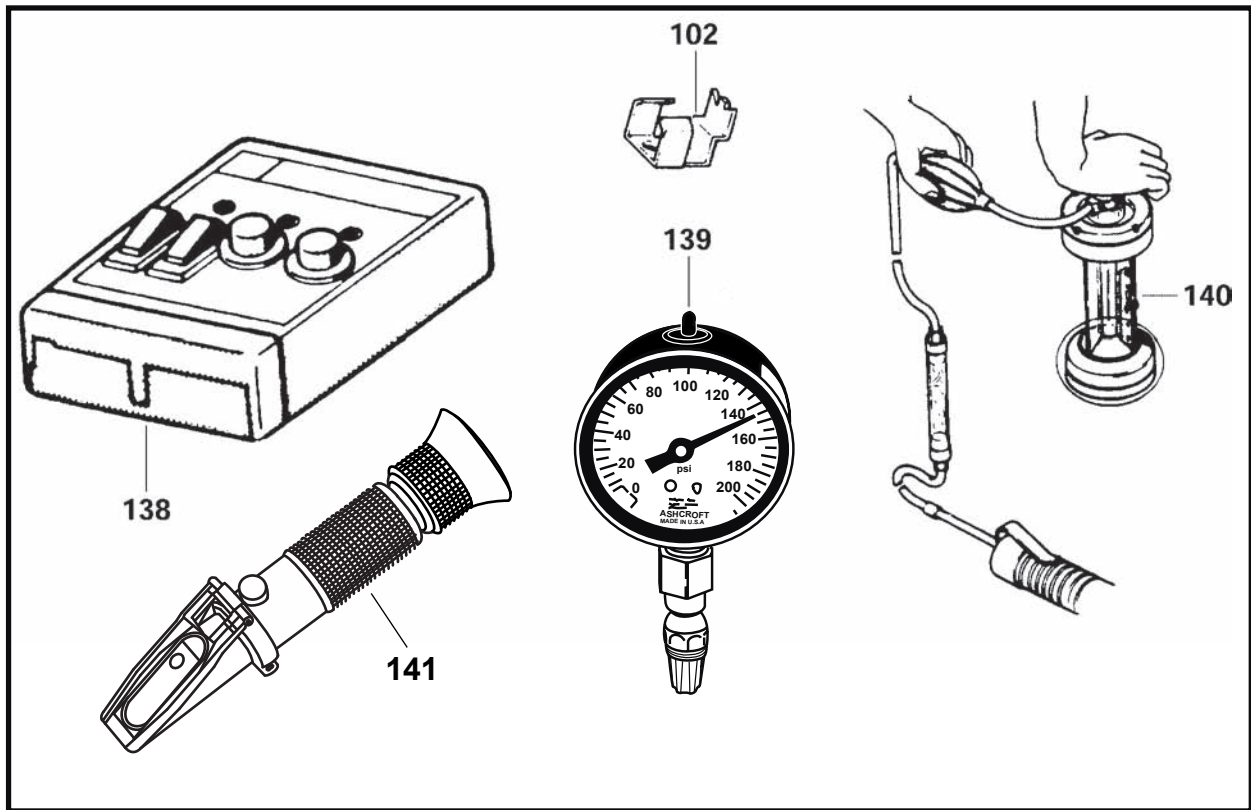
To obtain warranty repair authorization or for additional product information, please contact the **Technical Support Department at 1-800-685-4298 (7 AM to 4 PM Mountain Standard Time).**

## SECTION 10: SPARE PARTS LIST



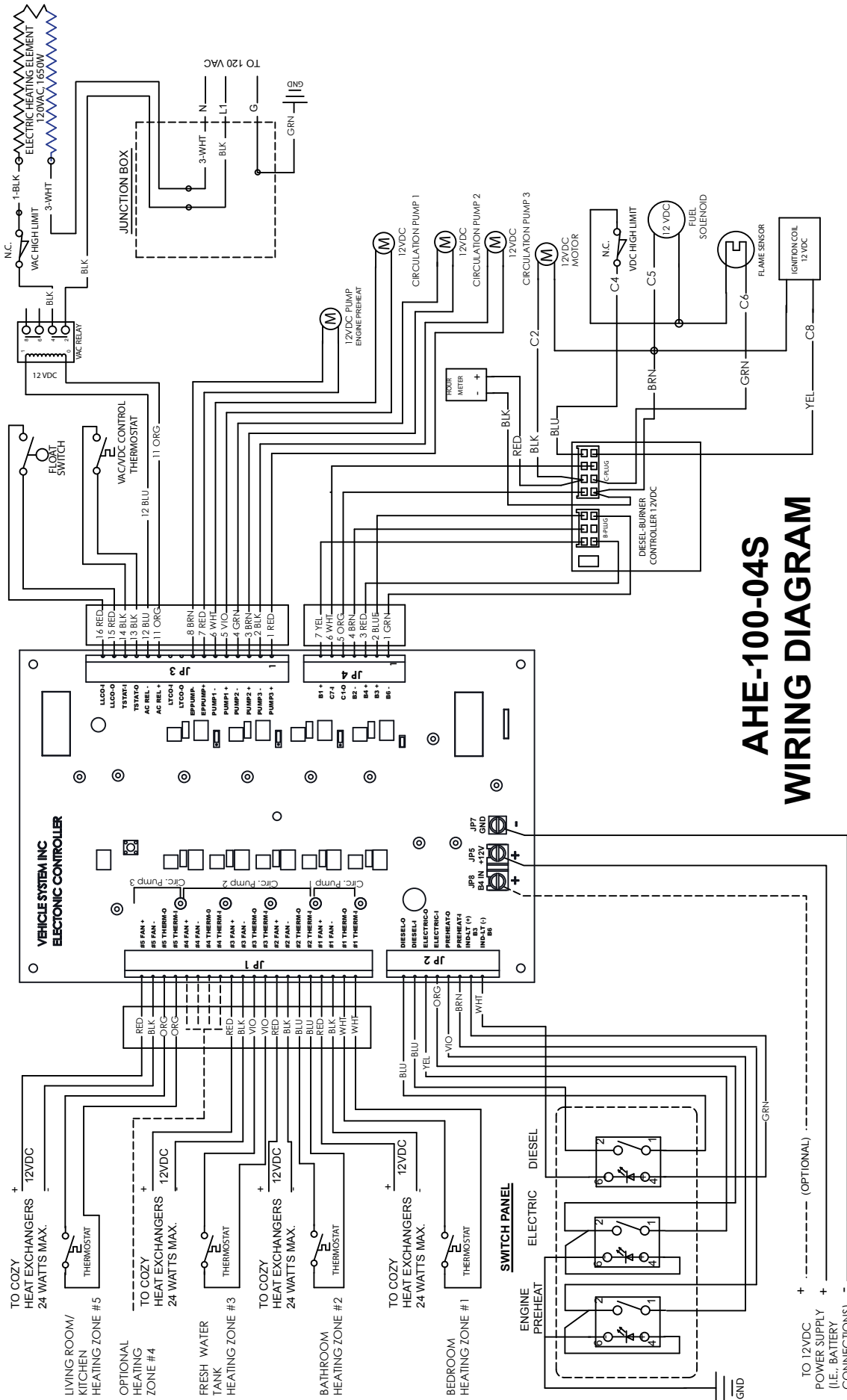
2	WPX-287-962	Controller, Diesel-Burner, 12 VDC
5	WPX-101-838	Coil, Ignition, 12 VDC
27	WPX-425-060	Motor, Combustion Air/Fuel Pump, 12 VDC
50	WPX-322-083	Valve, Fuel Solenoid, 12 VDC
51	WPX-386-650	Valve, Fuel Solenoid, Kit
56	WPX-274-313	Electrode, Ignition
59	WPX-638-78A	Sensor, Flame
61	WPX-887-71A	Disc, Photo
62	WPX-503-03A	Pump, Fuel
72	WPX-886-41A	Nozzle, Fuel, 0.35 GPH
96	ELE-800-002	Switch, Float
97	ELE-800-100	Thermostat, Control 190°F
98	ELE-HLT-322	Thermostat, High-Limit, 220* F 12 VDC
99	ELE-ASY-300-FRU	Thermostat, High-Limit, 220* F 120 VAC
162	WPE-905-834	Burner, Diesel, 12 VDC
164	WPX-265-53A	Chamber, Combustion
189	FLX-120-VS1	Filter, Fuel, Kit ( <b>DISCONTINUED</b> )
190	FLX-R12-TRA	Filter, Fuel

SECTION 11: SPECIAL TOOLS



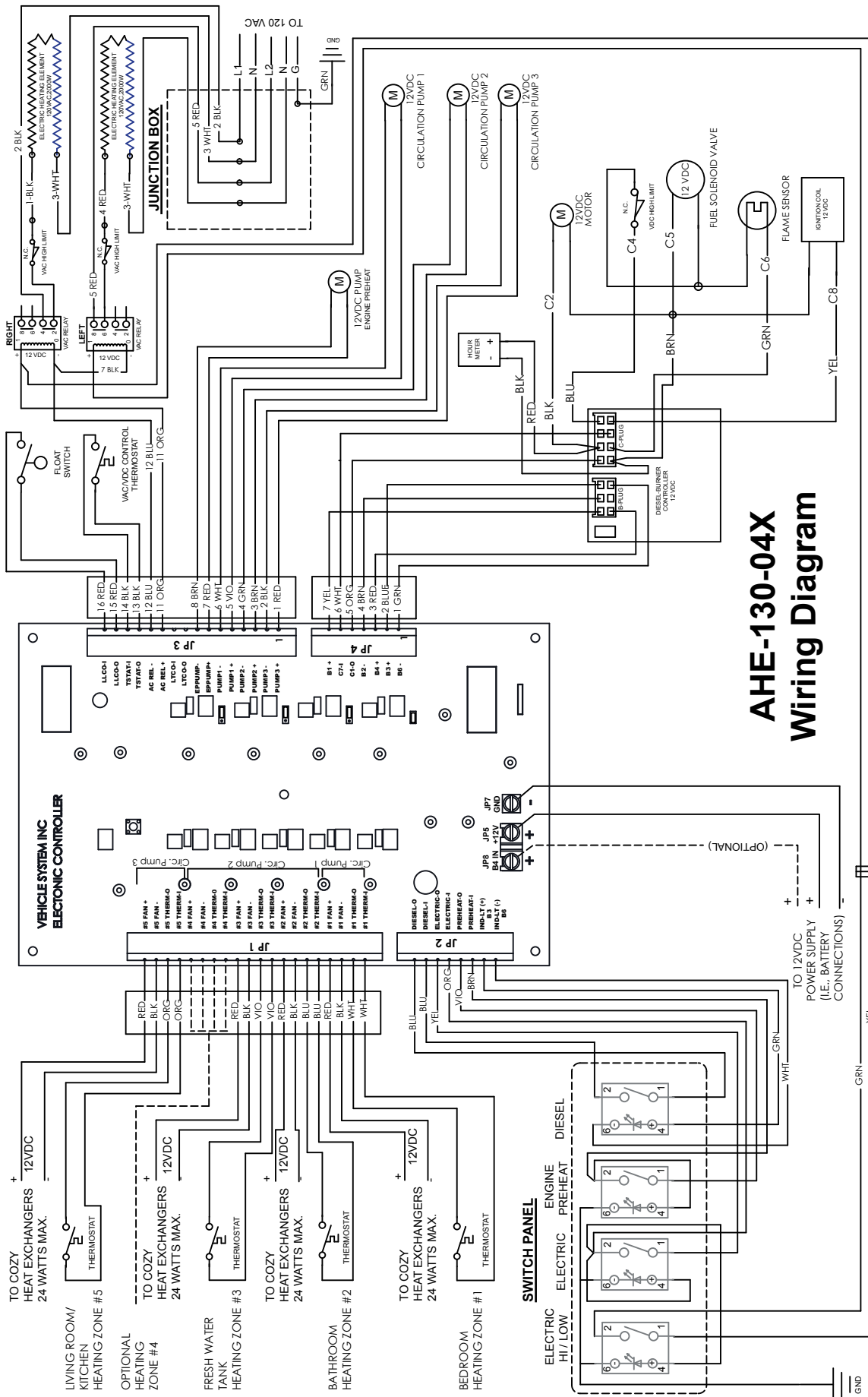
102	WPX-310-646	Gauge, Adjustment, Electrode
138	WPX-440-280	Tester, Controller
139	WPE-600-190	Gauge, Fuel Pressure
140	*****	Gas Analyzer, CO <sub>2</sub> Order Grainger Part # 6T153 from a Grainger Industrial Supply Store near you or visit the Grainger website at <a href="http://www.grainger.com">www.grainger.com</a> .
141	*****	Refractometer, Battery/Coolant Order Grainger Part # 3MY57 from a Grainger Industrial Supply Store near you or visit the Grainger website at <a href="http://www.grainger.com">www.grainger.com</a> .

# **Wiring Diagrams**



**AHE-100-04S  
WIRING DIAGRAM**

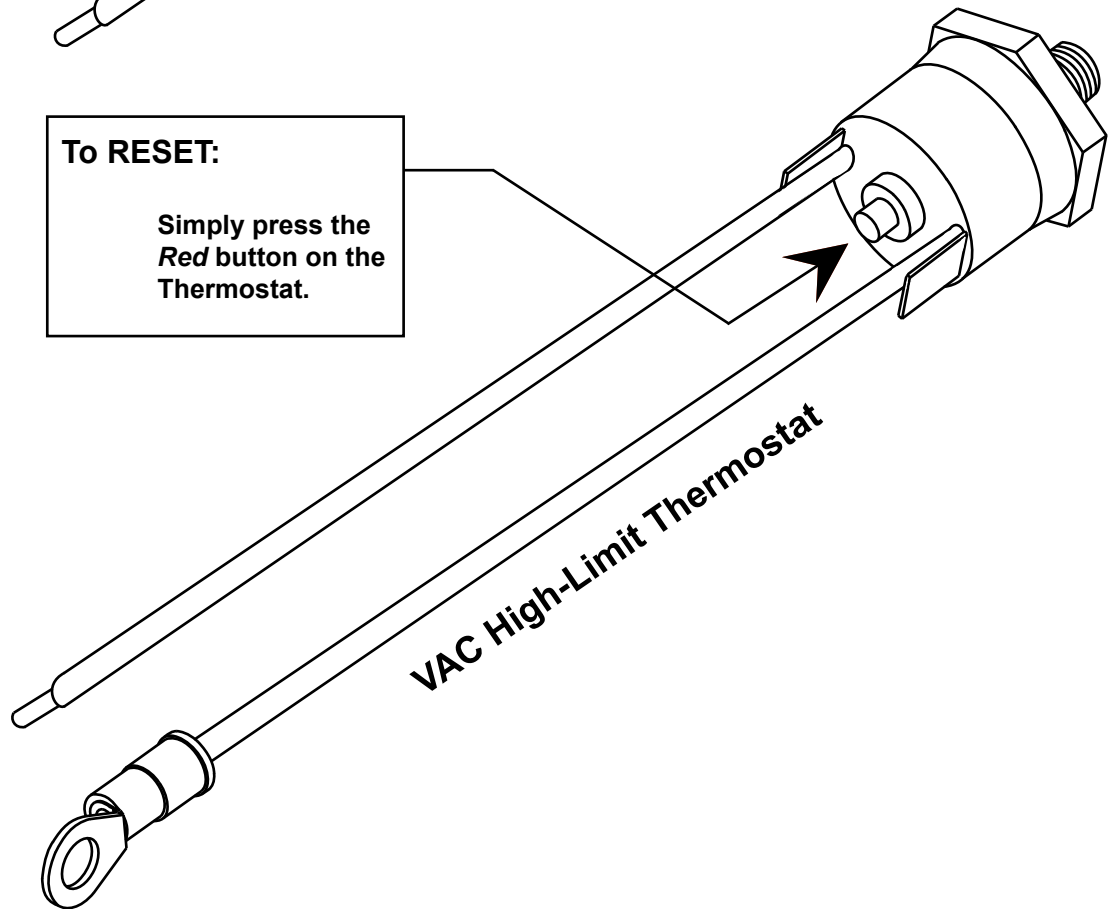
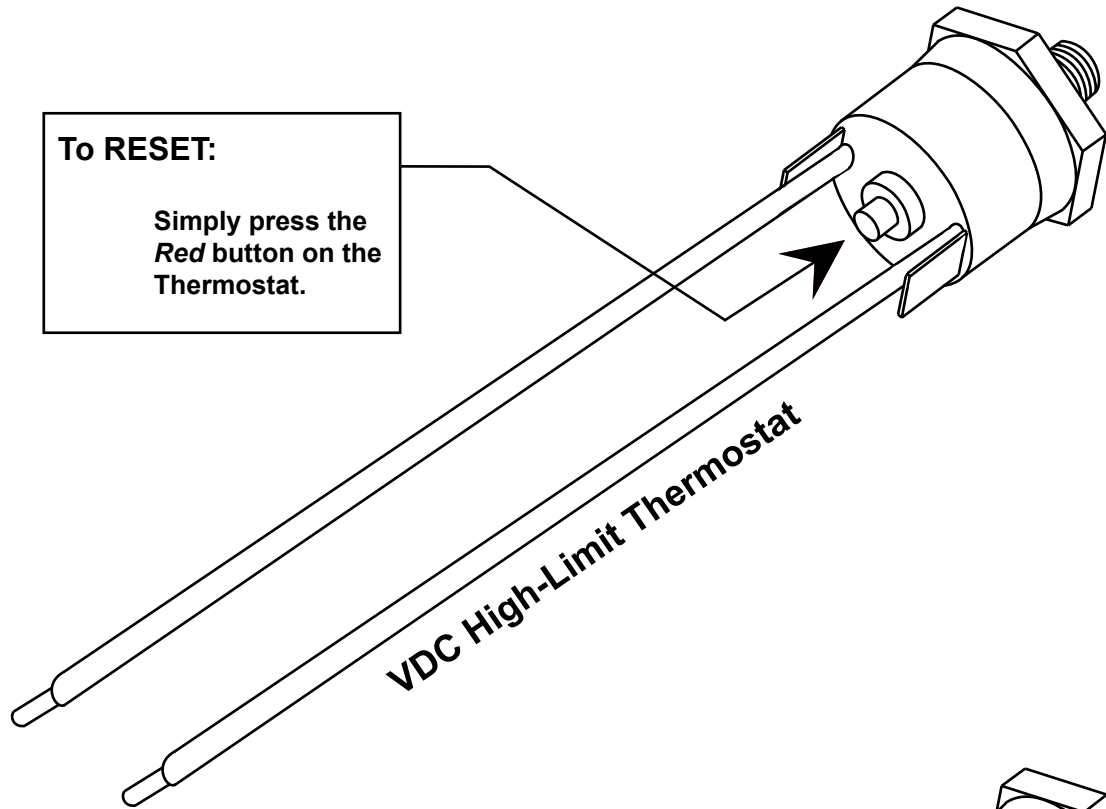


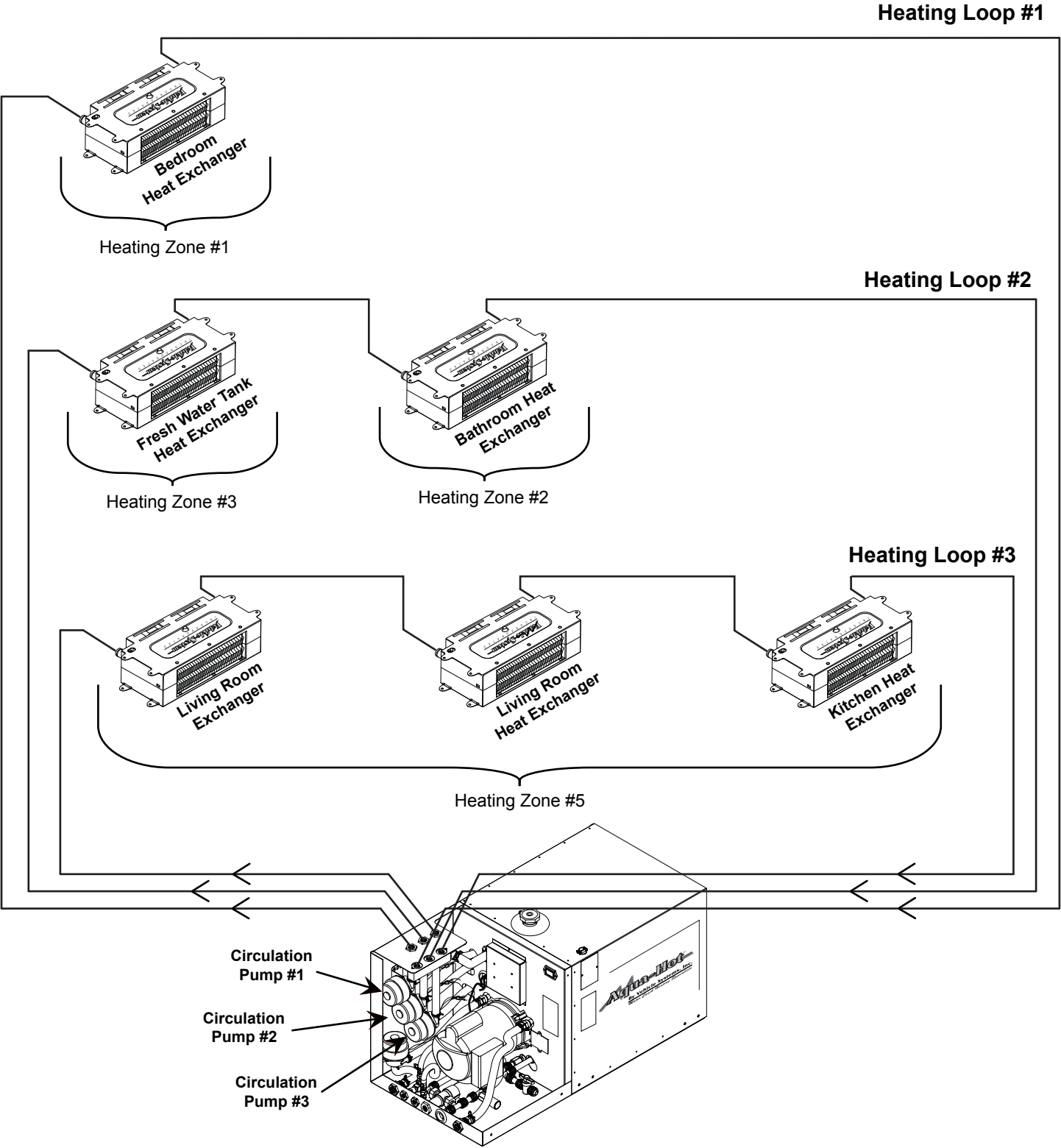


**AHE-130-04X**  
**Wiring Diagram**

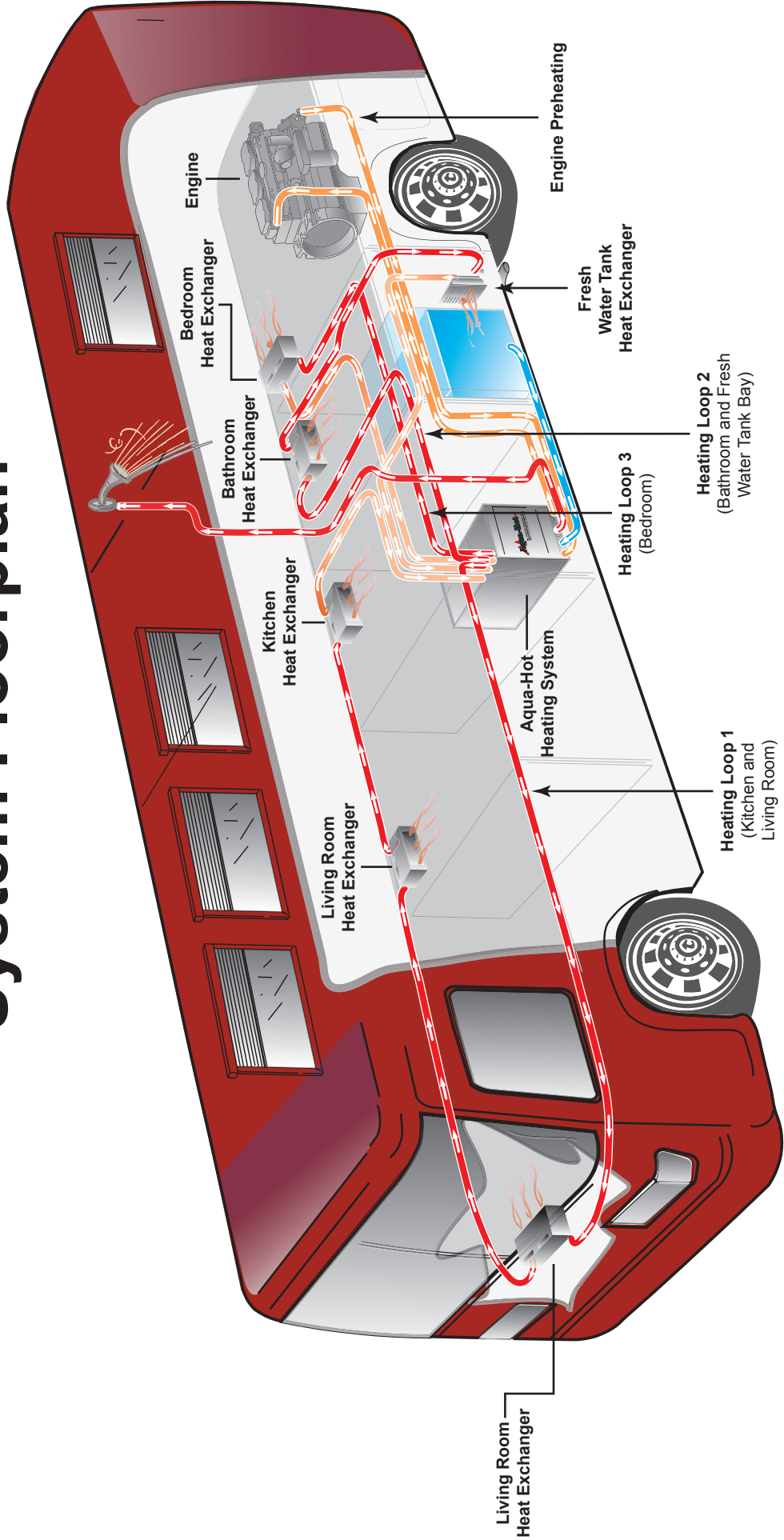


# **Illustrations**





# Generalized Motorhome Heating System Floorplan



# Vehicle Systems

---

I N C O R P O R A T E D

*Motor Coach Heating Specialist • Manufacturer and Distributor*

7501 Miller Drive Frederick, Colorado 80504 1-800-686-4298 Fax: 303-651-5699

© Copyright 2014 Vehicle Systems, Inc. All rights reserved.

**[www.aquahot.com](http://www.aquahot.com)**

LTE-LMA-005