



Aqua-Hot®

HYDRONIC HEATING SYSTEM



AHE-100-02S - 12 VDC

AHE-200-02S - 24 VDC

PARTS MANUAL

Note: This manual may also be used for model numbers: AHE-100-01S, AHE-100-00S, AHE-101-000 & 431/12 MODELS.

Section 1: Diesel-Burner

GeneralPage 5 - 8

Section 2: Heater Overview

OverviewPage 9 -11

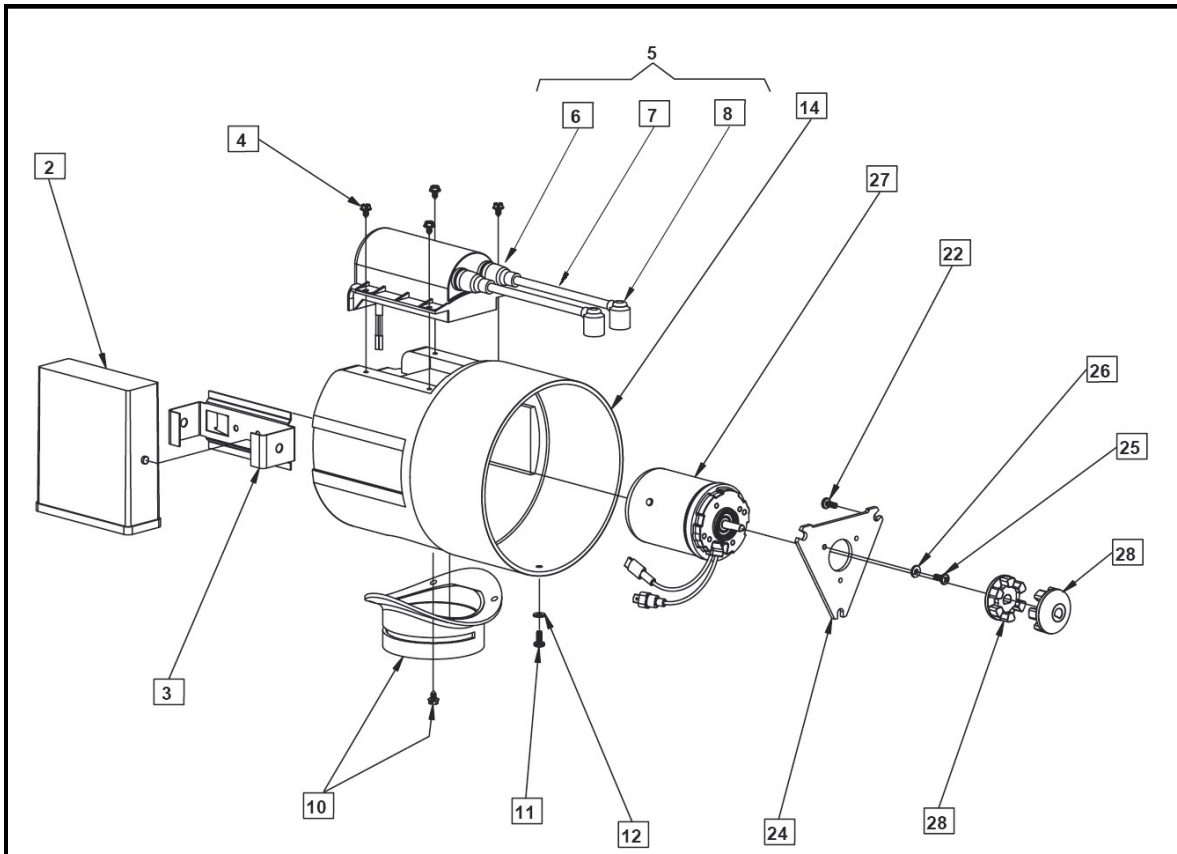
Section 3: Misc. Parts

Misc. PartsPage 12

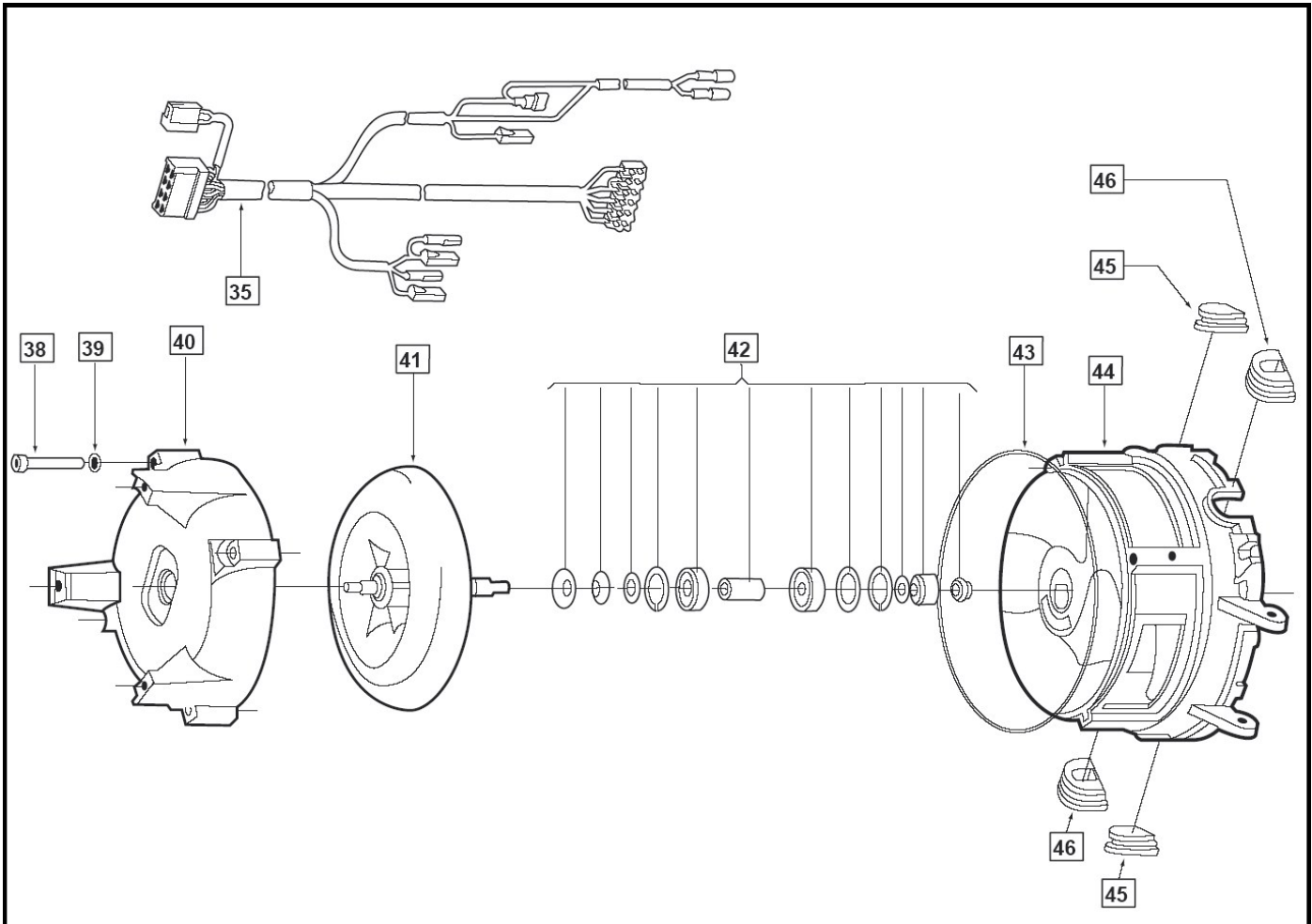
Section 4: Tools

ToolsPage 13

SECTION 1: DIESEL BURNER

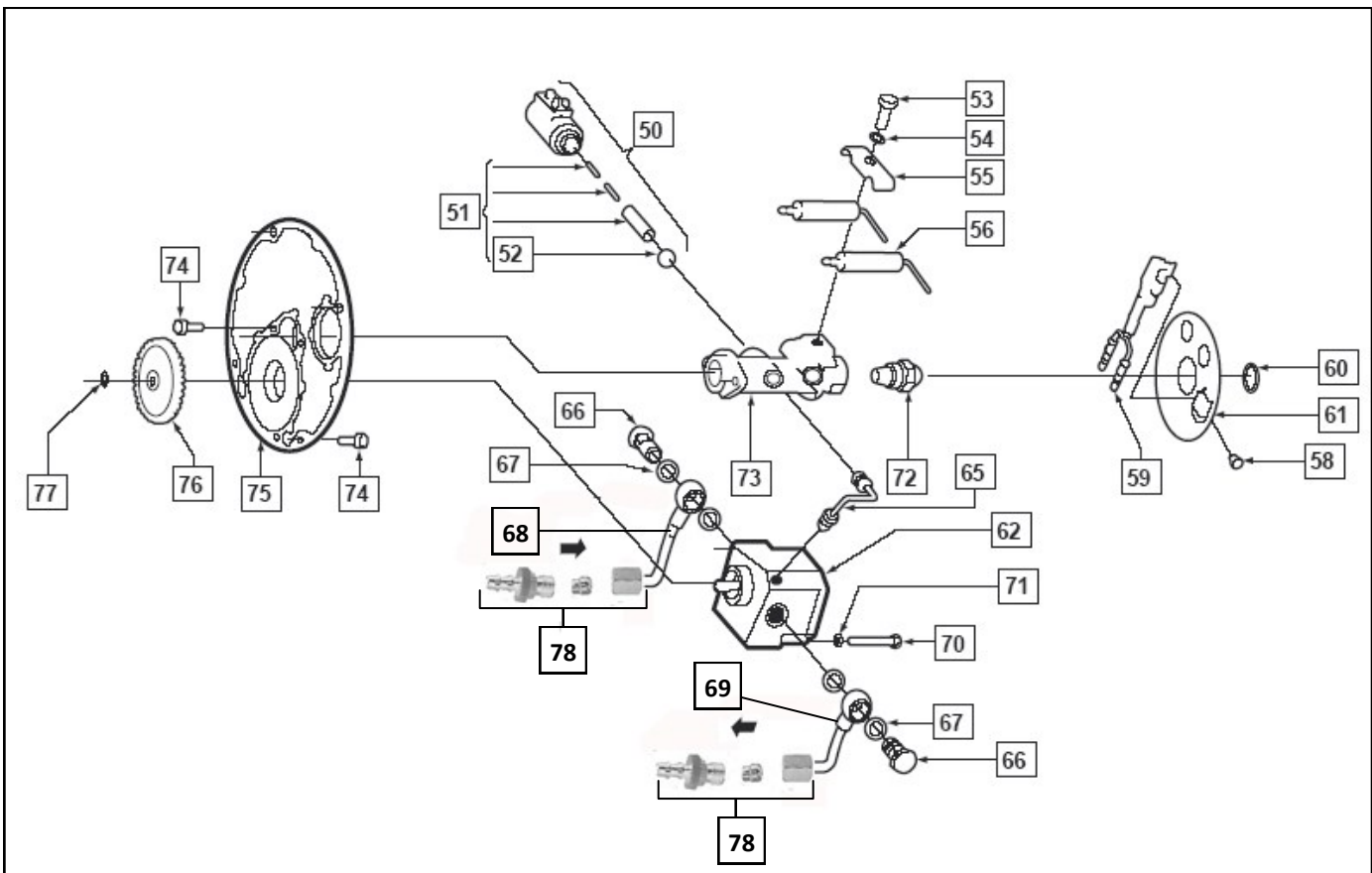


Key	Part Number	Description
2	WPX-287-962	Controller, Diesel Burner, 12 VDC
2*	WPX-306-07B	Controller, Diesel Burner, 24 VDC
3	WPX-362-107	Bracket, Controller Mounting
4	WPX-470-562	Screw, Coil Mounting
5	WPX-101-838	Coil, Ignition, 12 VDC
5*	WPX-101-846	Coil, Ignition, 24 VDC
6	WPX-404-918	Boot, Ignition Wire
7	WPX-178-624	Wire, Ignition
8	WPX-176-494	Boot, Ignition Wire, Elbow
10	WPX-350-427	Shutter, Combustion Air Intake
11	WPX-432-377	Screw, Protection Housing, Motor Plate
12	WPX-152-269	Washer, Star, Protection Housing
14	WPX-436-216	Cap, Protection, Motor
22	WPX-147-834	Screw, Flange, Blower Housing
24	WPX-425-05A	Plate, Motor Mounting
25	WPX-432-377	Screw, Protection Housing, Motor Plate
26	WPX-152-269	Washer, Star, Motor Plate
27	WPX-425-060	Motor, Combustion Air/Fuel Pump, 12 VDC
27*	WPX-425-079	Motor, Combustion Air/Fuel Pump, 24 VDC
28	WPX-350-516	Clutch, Half, 6mm



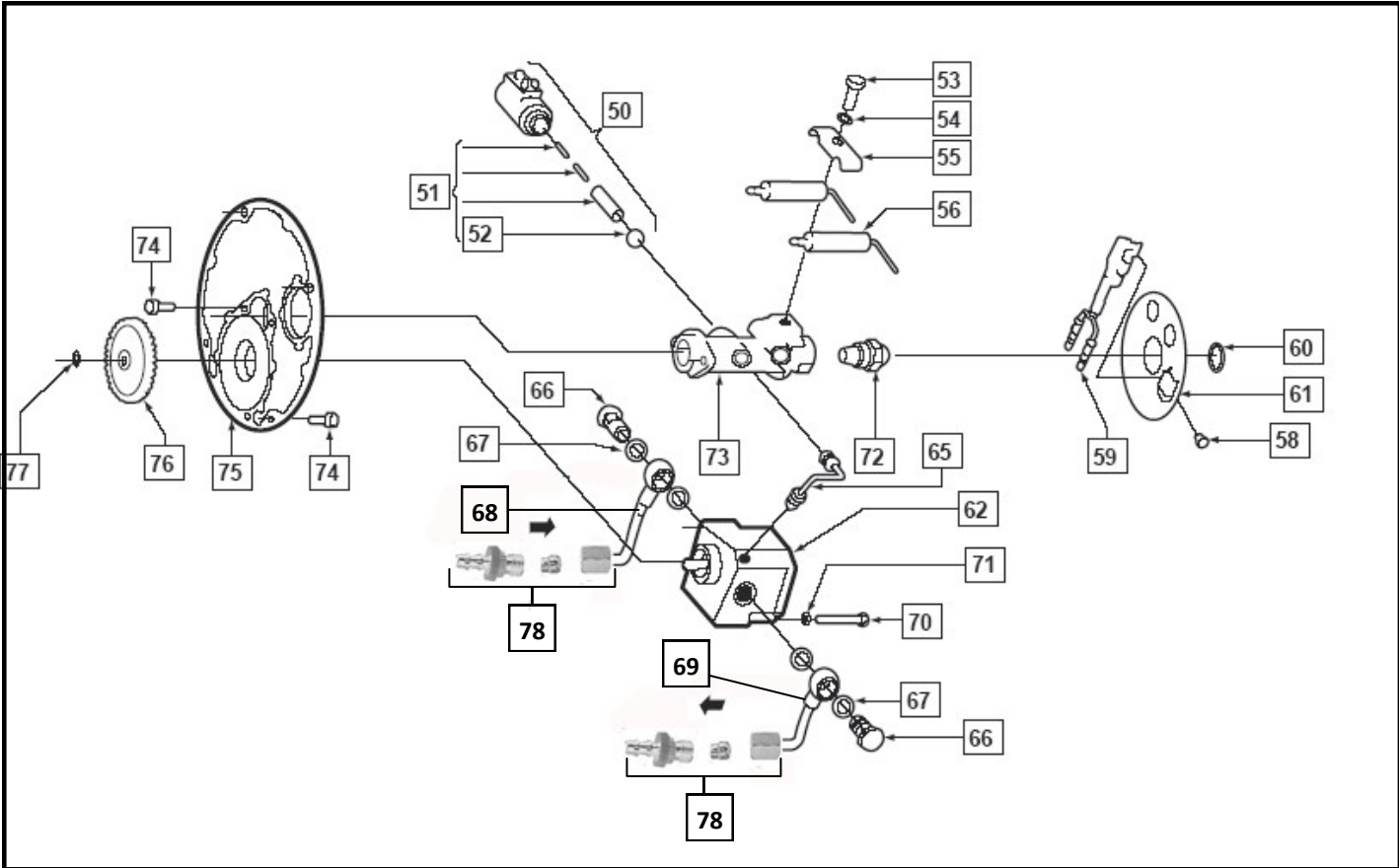
Key	Part Number	Description
35	WPE-434-79A	Harness, C-Plug (May look different than picture)
38	WPX-148-210	Screw, Blower Casting
39	WPX-152-552	Washer, Lock, Blower Casting
40	WPX-301-841	Housing, Blower
41	WPX-373-001	Blower, Wheel, w/Shaft
42	WPX-378-313	Bearing Kit
43	WPX-412-244	O-Ring, Blower Casting
44	WPX-225-67A	Casting, Blower
45	WPX-298-964	Grommet, Blower Casting, Left
46	WPX-299-995	Grommet, Blower Casting, Right

SECTION 1: DIESEL BURNER



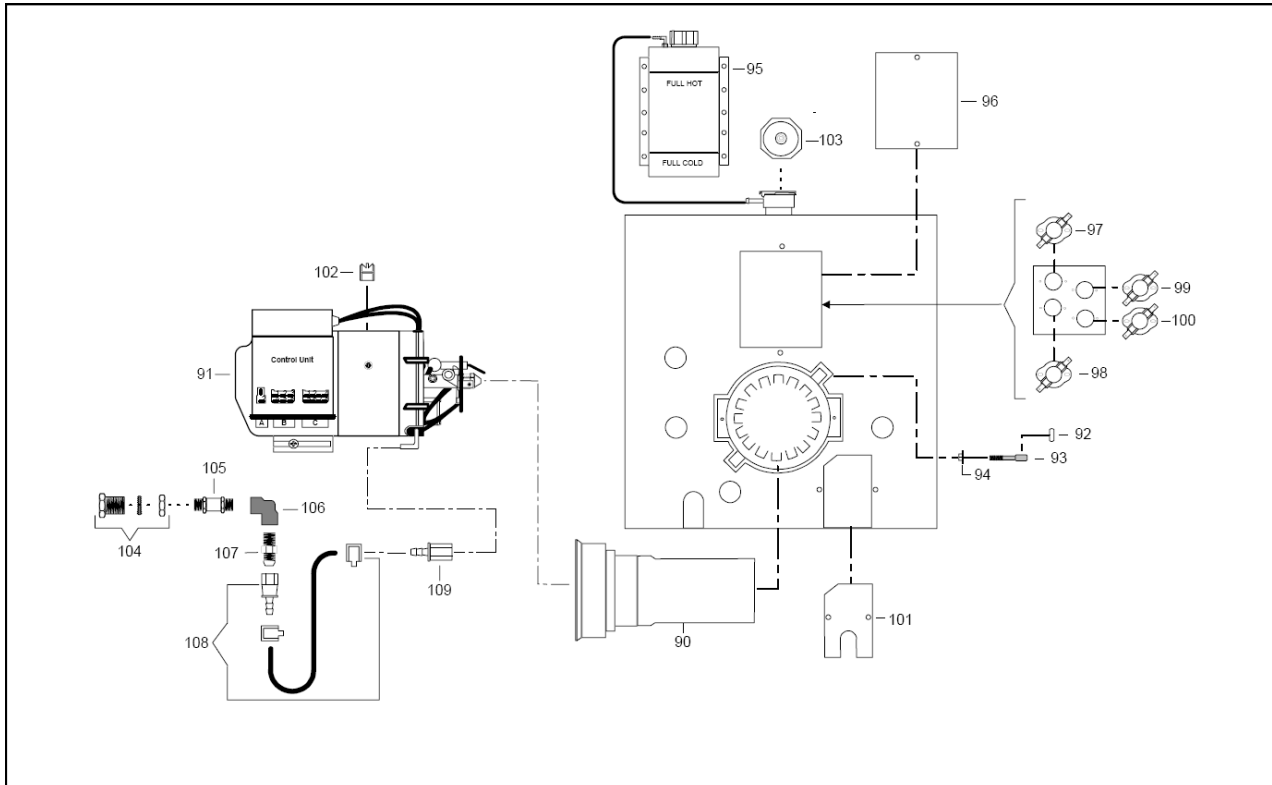
Key	Part Number	Description
50	WPX-322-083	Valve, Fuel Solenoid, 12 VDC
51	WPX-386-650	Valve, Fuel Solenoid, Kit
52	WPX-260-487	O-Ring, Fuel Solenoid Valve (Discontinued)
53	WPX-267-279	Bolt, Electrode
54	WPX-152-560	Washer, Lock, Electrode
55	WPX-278-971	Clamp, Electrode
56	WPX-274-313	Electrode, Ignition
58	WPX-147-699	Screw, Flame Sensor
59	WPX-638-78A	Sensor, Flame
60	WPX-453-048	Clip, Retaining, Photo Disc
61	WPX-887-71A	Disc, Photo
62	WPX-503-03A	Pump, Fuel, Kit
65	WPX-665-49A	Tube, Fuel, High Pressure (Discontinued)
66	WPX-150-754	Bolt, Banjo

(Continued)



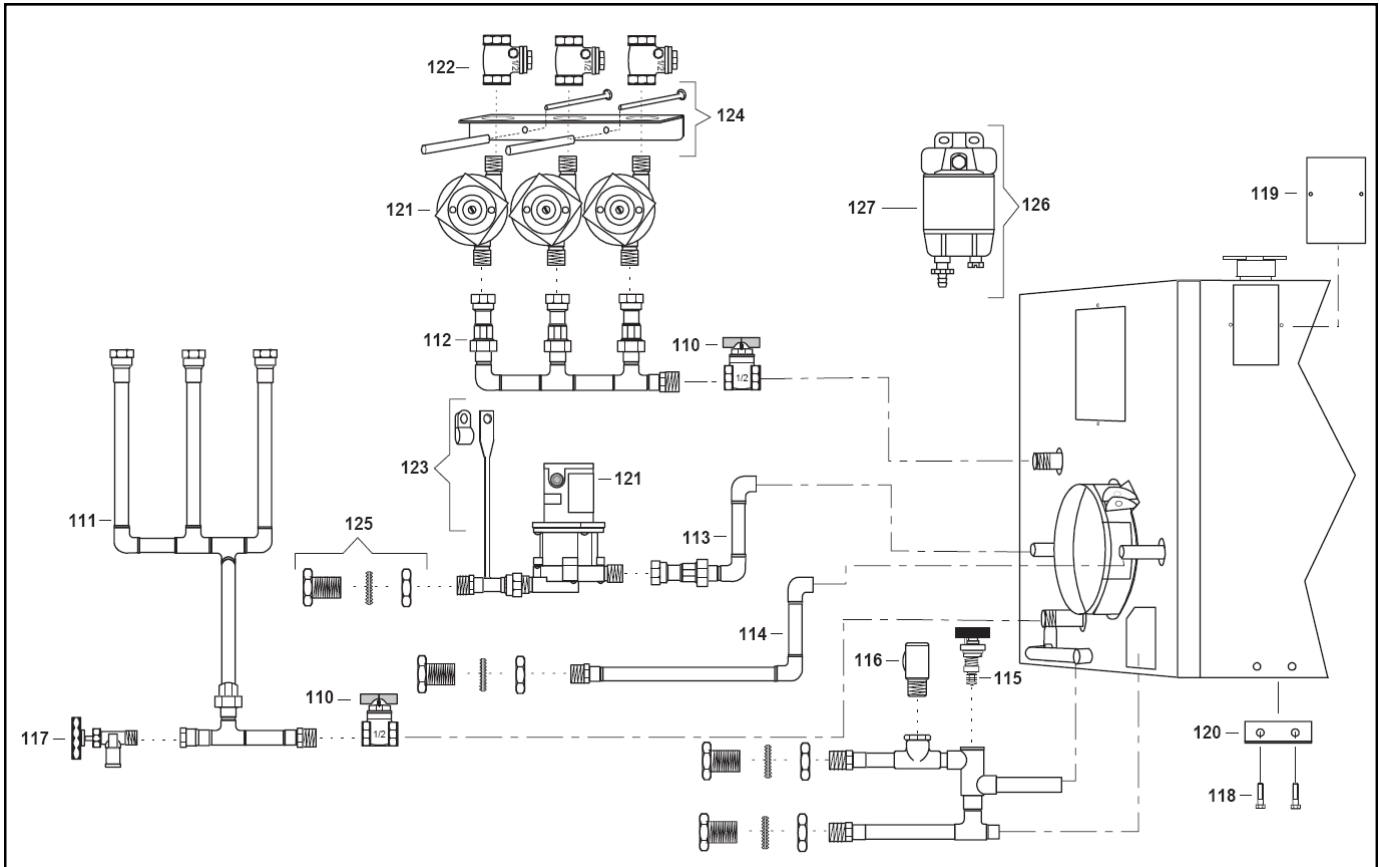
Key	Part Number	Description
67	WPX-151-157	Gasket, Ring, Copper
68	WPX-661-002	Pipe, Fuel, Banjo, Supply, DBW 2010 (w/Straight Tube)
69	WPX-661-001	Pipe, Fuel, Banjo, Return, DBW 2010 (w/Straight Tube)
70	WPX-277-282	Screw, Mounting, Fuel Pump
71	WPX-152-544	Washer, Lock, Fuel Pump
72	WPX-886-41A	Nozzle, Fuel, 0.35 GPH
73	WPX-412-198	Manifold, Fuel Nozzle, Brass
74	WPX-277-150	Screw, Plate, Nozzle Stand
75	WPX-102-861	Plate, Manifold
76	WPX-371-289	Gear, Fuel Pump, Nylon
77	WPX-152-390	Snap, Ring, Gear
78	FLE-FUL-100	Fuel Kit, JIC, Male, w/Nut & Ring, Complete

SECTION 2: HEATER OVERVIEW



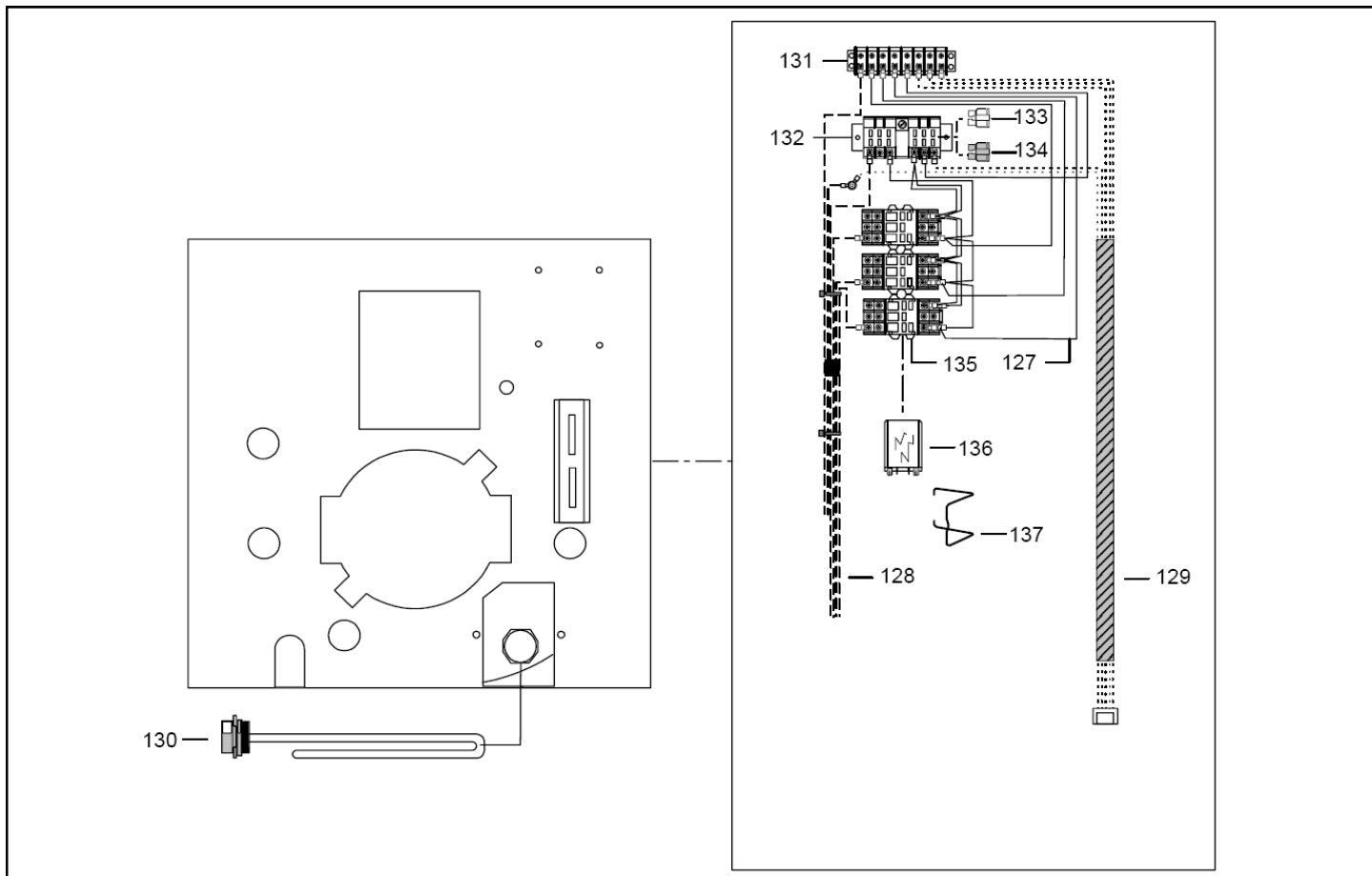
Key	Part Number	Description
90	WPX-265-53A	Combustion Chamber, DBW-2010, AH/HH/WH
91	WPE-905-83A	Burner head, Modified, VSI DBW-2010, 12 VDC, AH
91*	WPE-905-84A	Burner head, Modified, VSI DBW-2010, 24 VDC, AH
92	WPX-420-565	Pin, Eye Bolt, DBW-2010, AH/HH/WH
93	WPX-363-618	Bolt, Eye, DBW-2010, AH/HH/WH
94	WPX-461-555	Nut, Eye Bolt, DBW 2010, AH/HH/WH
95	PLE-621-800	Tank, Expansion, 5qt, AH
96	SME-101-500	Cover, Thermostat Access, S.S., AH
97	ELE-L08-190	Thermostat, VDC Control, 190°F, Blue Dot, AH
98	ELE-L08-230	Thermostat, VDC High-Limit, 230°F, Black, AH
99	ELE-254-010	Thermostat, VAC High-Limit, 230°F, White Dot, AH
100	ELE-010-198	Thermostat, VAC Control, 198°F, Red Dot, AH
101	SME-101-600	Cover, Element Access, S.S., AH
102	WPX-310-646	Gauge, Adjustment, Electrode, DBW 2010-300, AH/HH/WH
103	PLX-102-229	Cap, Radiator, AH
104	PLX-105-800	Fitting, Bulkhead, 1/4 X 1/4 (F)NPT, Brass, AH/HH
105	FLX-751-CVL	Fitting, Valve, Fuel Check, 1/4 X 1/4 (M)NPT, AH/HH
106	FLX-FL1-022	Fitting, Elbow 90°, 1/4 X 1/4 (F)NPT, Brass, AH
107	FLX-038-204	Fitting, Steel, #6 (M)JIC X 1/4 (M)NPT, AH
108	FLE-FUL-200	Fuel Kit, w/Fuel Line & Clamps, AH
109	FLE-FUL-100	Fuel Kit, Steel Fittings, AH/HH

SECTION 2: HEATER OVERVIEW

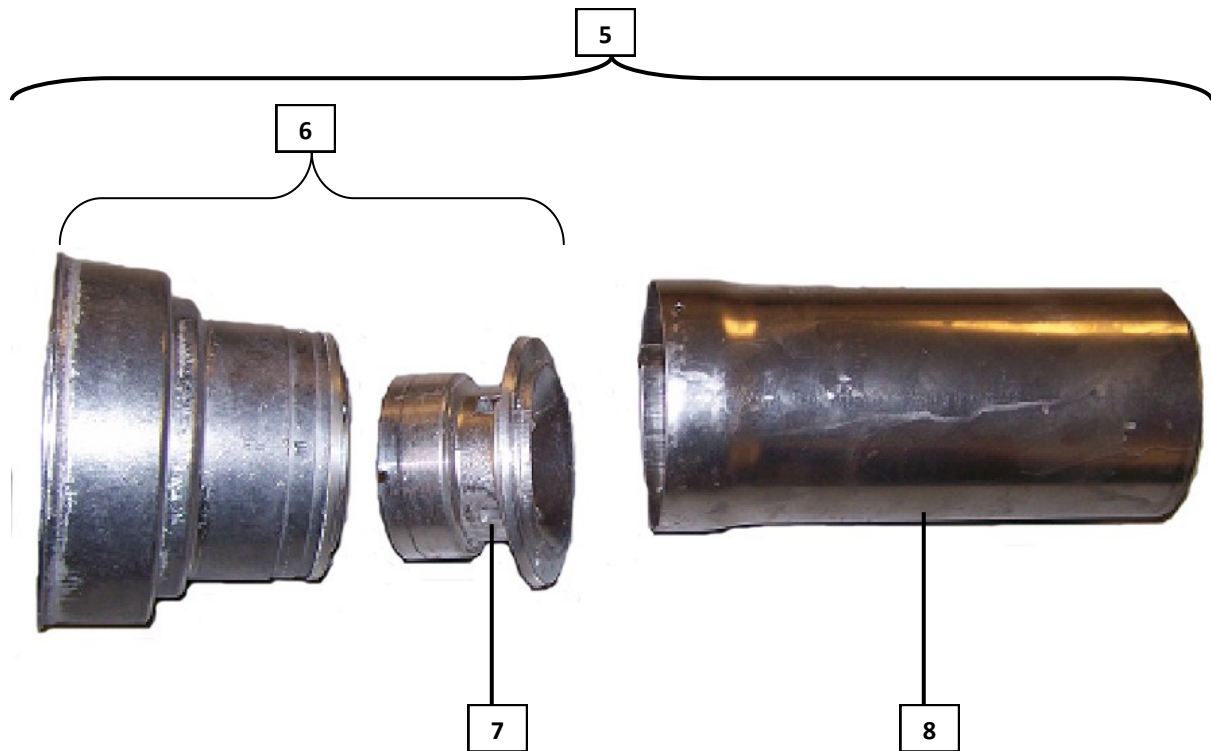
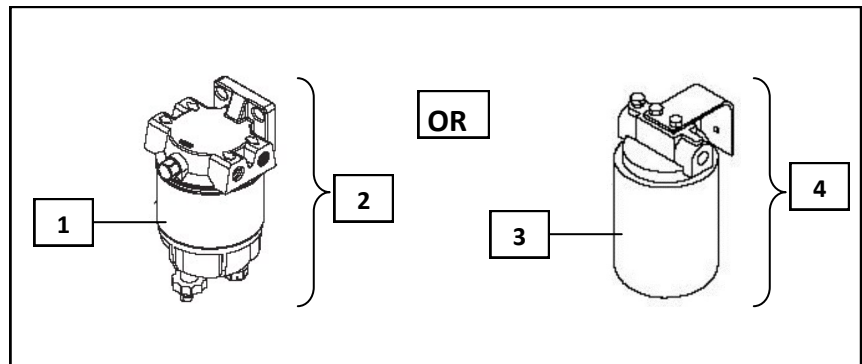


Key	Part Number	Description
110	PLX-BV1-200	Valve, Ball, 1/2 (F)NPT, AH
111	PLE-101-100	Copper, Manifold, Return, 3-Zone Assembly, AH
112	PLE-100-200	Copper, Manifold, Supply, 3-Zone Assembly, AH
113	PLE-100-30B	Copper, Assembly, Engine Supply, 1/2in, AH
114	PLE-100-400	Copper, Assembly, Engine Return, 1/2in, AH
115	PLX-4A8-18R	Valve Kit, Tempering, AH
115-A	PLX-4A8-180	Valve, Tempering, AH
116	PLX-111-125	Valve, Pressure Relief, 125 PSI, AH/HH
117	PLX-A52-600	Valve, Elbow 90°, Barb, 5/8 X 3/8 (M)NPT, Brass, AH
118	HDX-010-381	Bolt, Hex, 1/4- 20 X 1/2in, S.S., AH
119	SME-101-700	Cover, VAC Access, S.S., AH
120	SME-101-801	Bracket, S.S, Angle 90°, Mounting Feet, AH
121	PLX-809-200	Pump, BR-809 Circulation, 12 VDC, AH
121*	PLX-809-400	Pump, BR-809 Circulation, 24 VDC, AH
122	PLX-2A1-300	Valve, Check, 1/2 X 1/2 (F)NPT, Brass, AH/HH
123	HDE-100-8RT	Strut, Pump Support Kit, AH
124	SME-101-201	Bracket, Angle, Pump Support Kit, AH
125	PLX-105-810	Fitting, Bulkhead, 1/2 X 1/2 (F)NPT, Brass, AH/HH
126	FLX-120-VS1	Filter, Fuel, System, 10 Micron, AH/HH (Discontinued)
127	FLX-R12-TRA	Filter, Fuel, Spin-On Element, 10 Micron, AH/HH

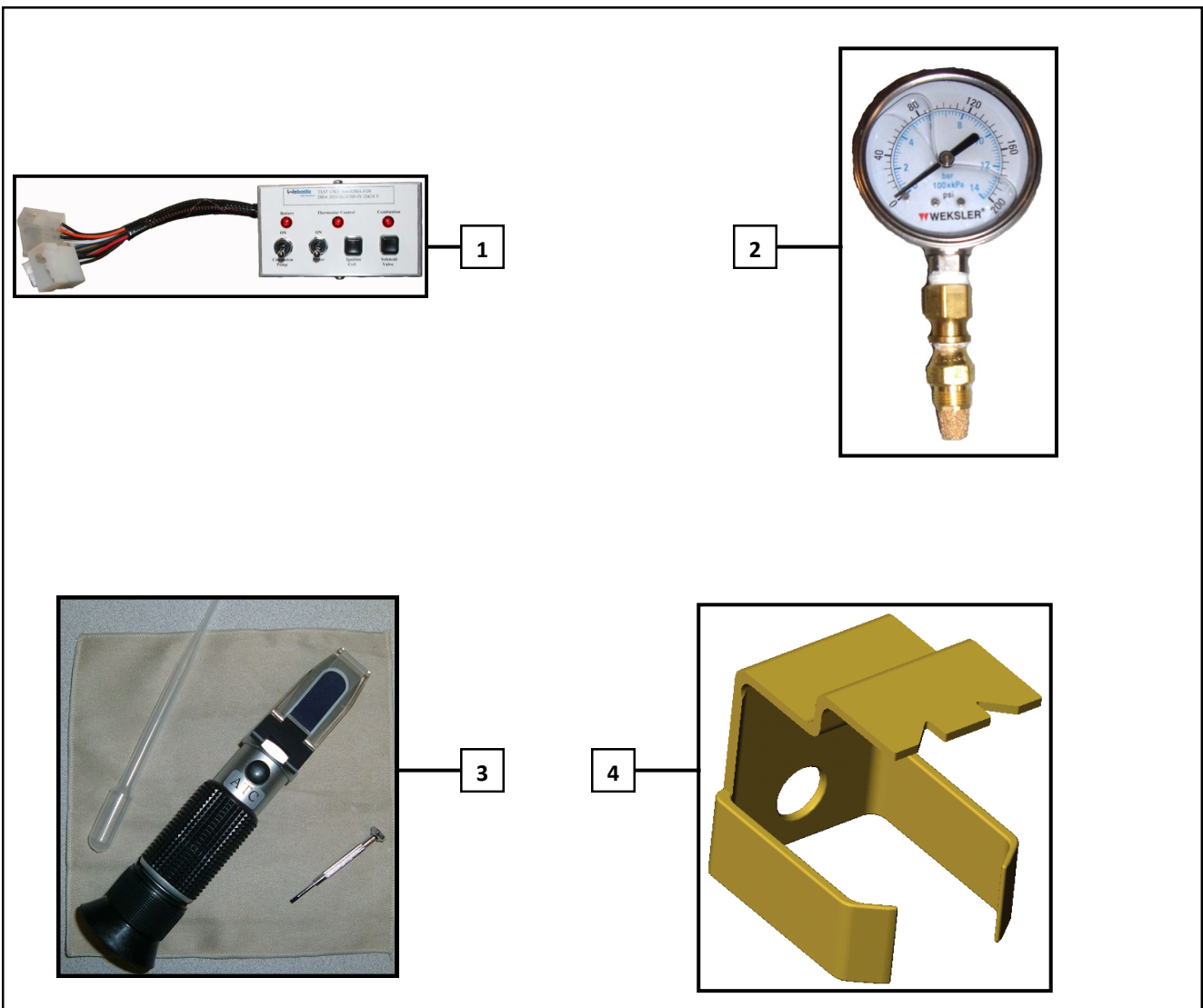
SECTION 2: HEATER OVERVIEW



Key	Part Number	Description
127	ELE-VS1-005	Harness, Bulkhead, AH
128	ELE-VS1-006	Harness, Circulation Pump, AH
129	ELE-VS1-007	Harness, B-Plug, AH
130	ELX-2E7-540	Element, Electric Heating, 120 VAC/1650 Watt, AH/HH
131	ELX-14F-634	Terminal Strip, 8-Position, AH
132	ELX-BB6-10A	Fuse Block, AH
133	ELX-450-016	Fuse, 15 Amp, Spade Type, AH
134	ELX-450-005	Fuse, 10 Amp, Spade Type, AH
135	ELX-SR3-B05	Socket, Relay, Grey, AH
136	ELX-W1A-486	Relay, 12 VDC, AH
136*	ELX-W1A-487	Relay, 24 VDC, AH
137	ELX-9P3-500	Clip, Support, Relay, AH



Key	Part Number	Description
1	FLX-R12-TRA	Filter, Fuel, Racor Spin-On, 10 Micron
2	FLX-120-VS1	Filter System, Fuel, 10 Micron, Racor (Discontinued)
3	FLE-120-100	Filter, Cannister, Replacement, Garber
4	FLX-120-000	Filter, Fuel, Garber
5	WPX-265-53A	Combustion Chamber, DBW 2010
6	WPX-303-051	Swirler, Combustion Chamber Air Assembly Cast Aluminum
7	WPX-302-651	Air Swirler, DBW 2010
8	WPX-303-050	Tube, Combustion Chamber, DBW 2010



Key	Part Number	Description
1	WPX-440-280	Tester, Controller
2	WPE-600-190	Gauge, Fuel Pressure
3	MSX-907-162	Tester, Refractometer, Battery/Coolant
4	WPX-310-646	Gauge, Adjustment, Electrode



AHE-100-02S - 12 VDC
AHE-200-02S - 24 VDC
PARTS MANUAL



15549 East Highway 52 | Fort Lupton, CO 80621

Toll free: 800.685.4298 | phone: 303.659.8221 | fax: 303.857.7881

www.aquahot.com