

PARTS MANUAL

600 SERIES

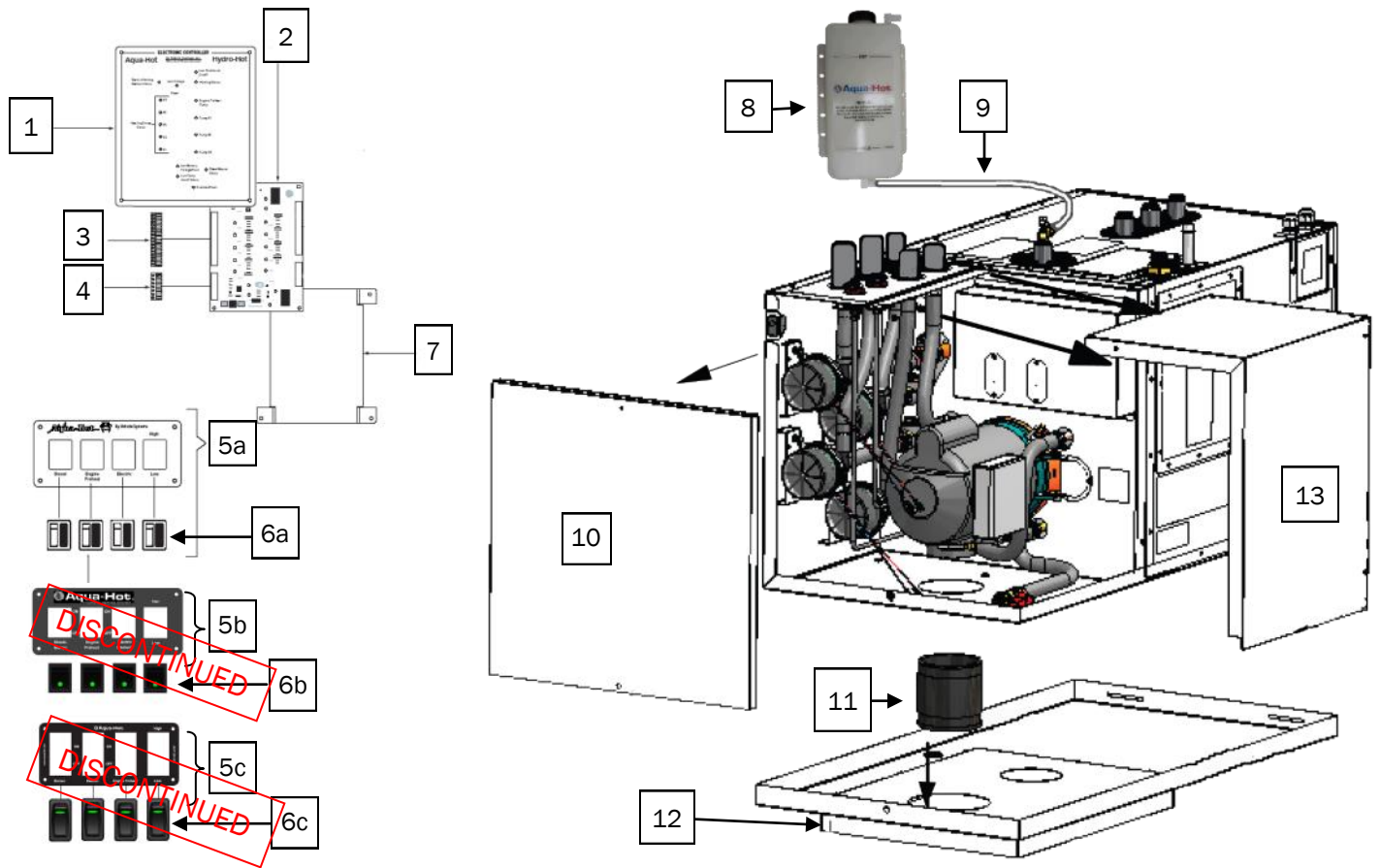


AHE-600-D03

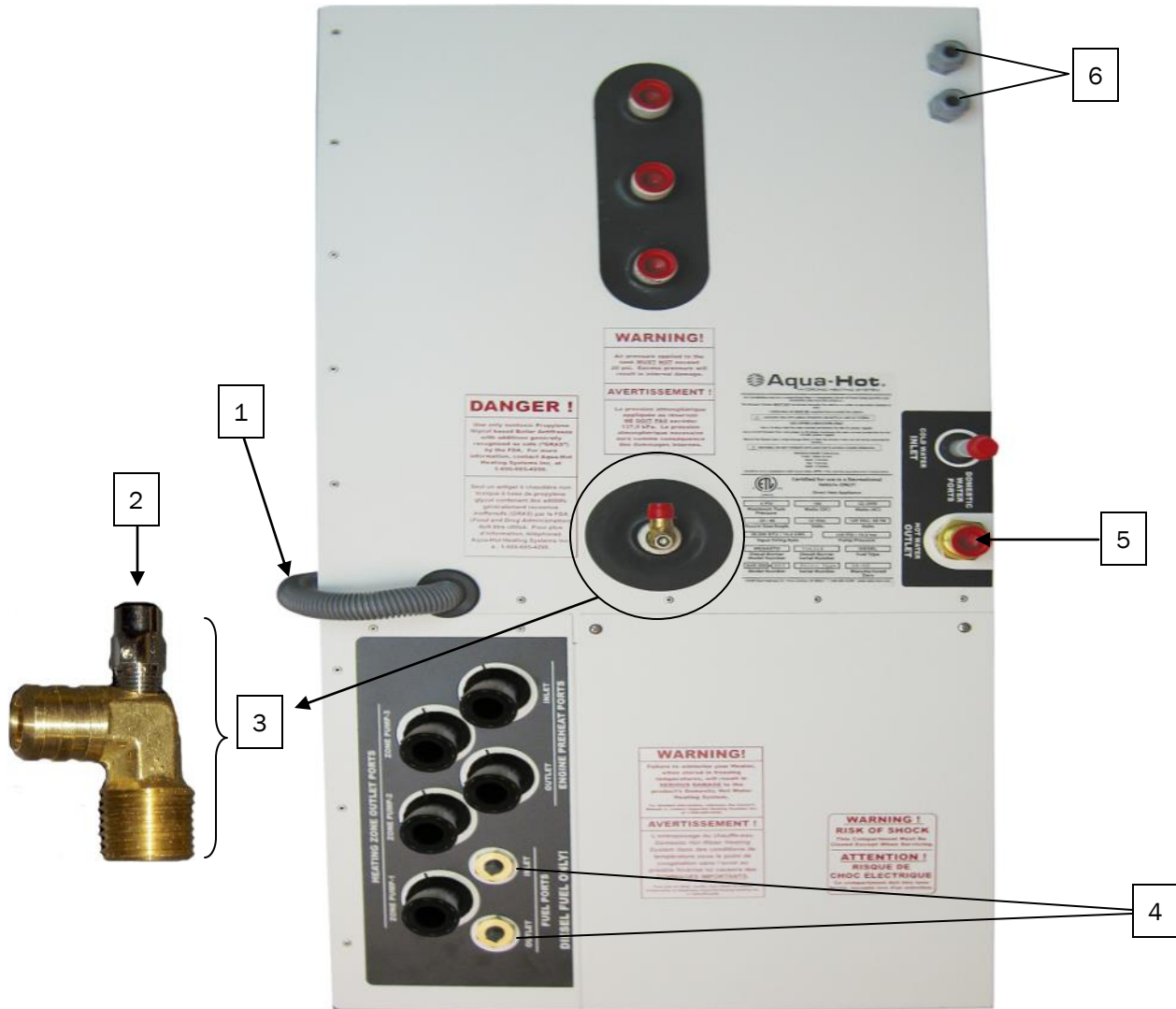
AHE-675-D03



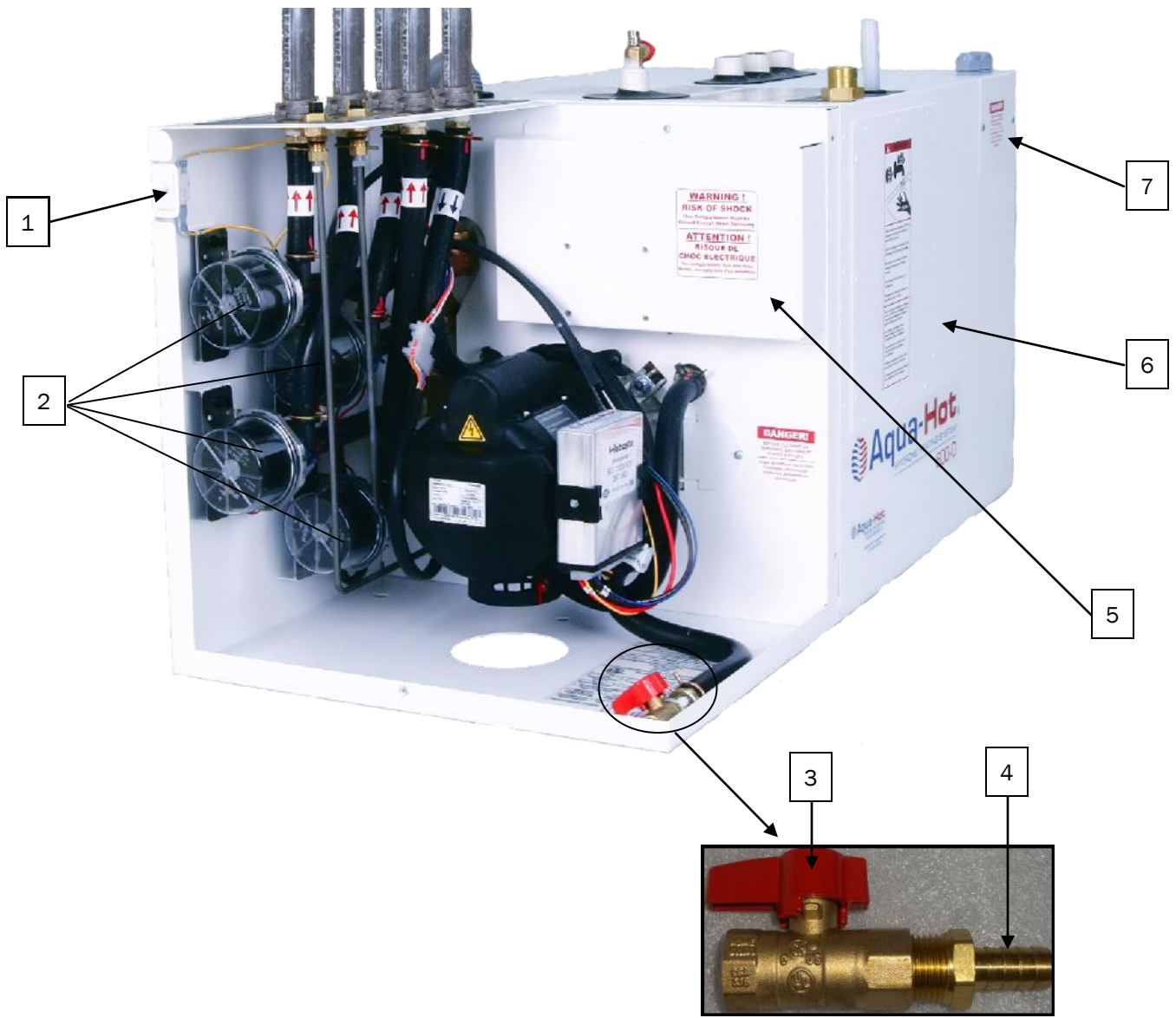
Heater Overview	
General	5
Top	6
Front	7
A.C	10
Sensors	11
Mixer Valve Assembly	13
Combustion Chamber Assembly	14
Diesel-Burner	
Overview	15
Miscellaneous Parts & Materials	
19	
Tools	20



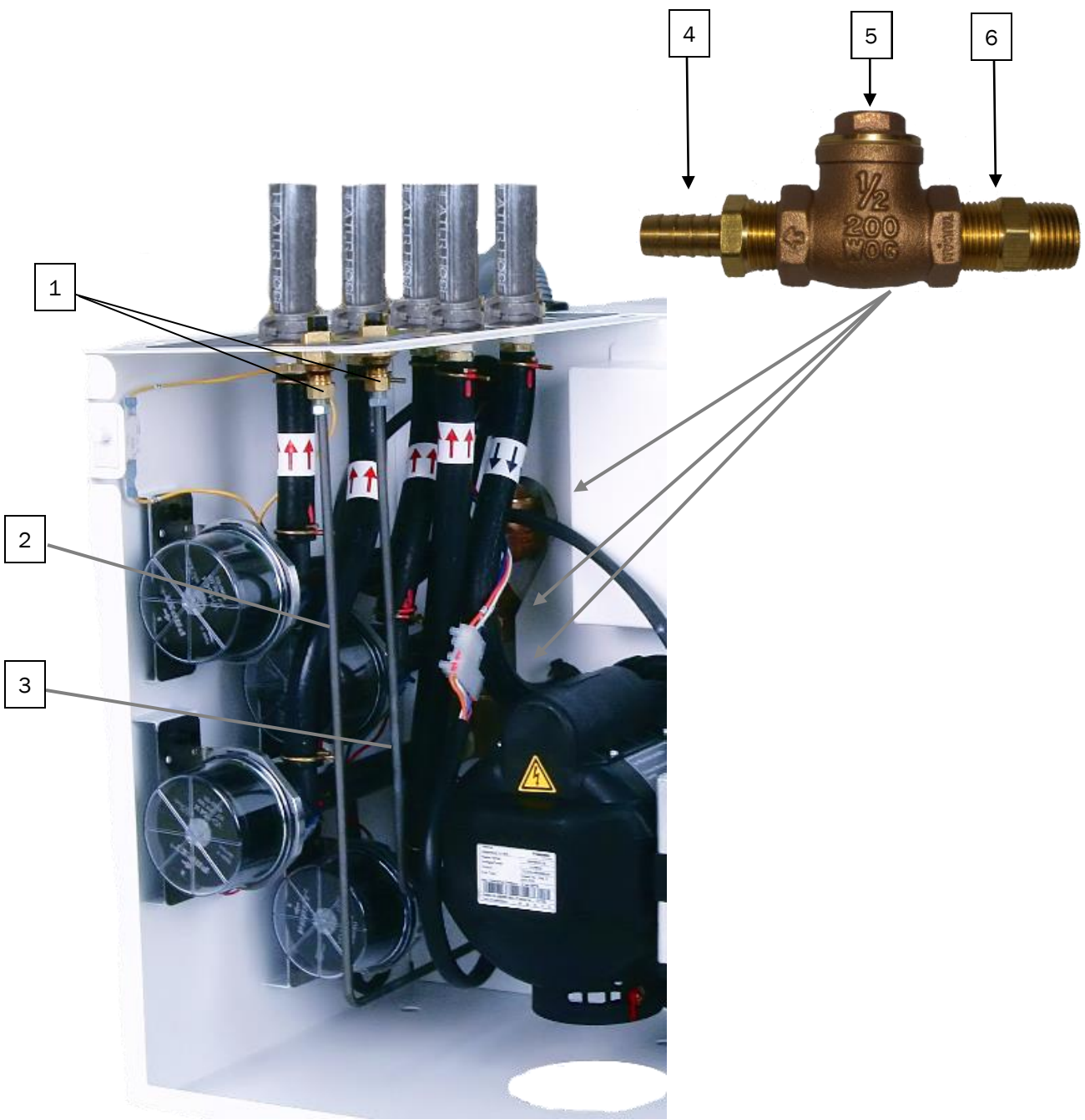
Key	Part Number	Date of Use	Description
1	SME-200-501		Faceplate, Electronic Controller, Assembly
2	ELE-PC4-010-AA		Controller, Electronic, 12 VDC
3	ELX-312-491		Plug, Electronic Controller, 20-position
4	ELX-312-499		Plug, Electronic Controller, 8-position
5a	ELE-000-907	08/2009- 12/2010	Panel, Switch, Assembly, 4-position, 12 VDC- OBSOLETE
5b	ELE-000-907	01/2011- 08/2011	Panel, Switch, Assembly, 4-position, 12 VDC - OBSOLETE
5c	ELE-000-908	09/2011- Current	Panel, Switch, Assembly, 4-position, 12 VDC
6a	ELX-283-284	08/2009- 12/2010	Switch, Rocker, w/LED- OBSOLETE
6b	ELX-283-284	01/2011- 08/2011	Switch, Rocker, w/LED - OBSOLETE
6c	ELX-283-283	09/2011- Current	Switch, Rocker, w/LED
7	SME-EN4-008		Back, Electronic Controller, Enclosure
8	PLE-622-902		Tank, 5 QT, Expansion assembly
9	PLE-210-191		Tube, Over Flow Clear 5/8 in. x 8ft.
10	SME-600-007		Cover, Access Front
11	PLX-450-860		Sleeve, Air Intake, 3 in DIA x 4 in. Long Rubber
12	SME-600-009		Tray, Mounting Assembly, 600
13	SME-600-006		Cover, Access Side



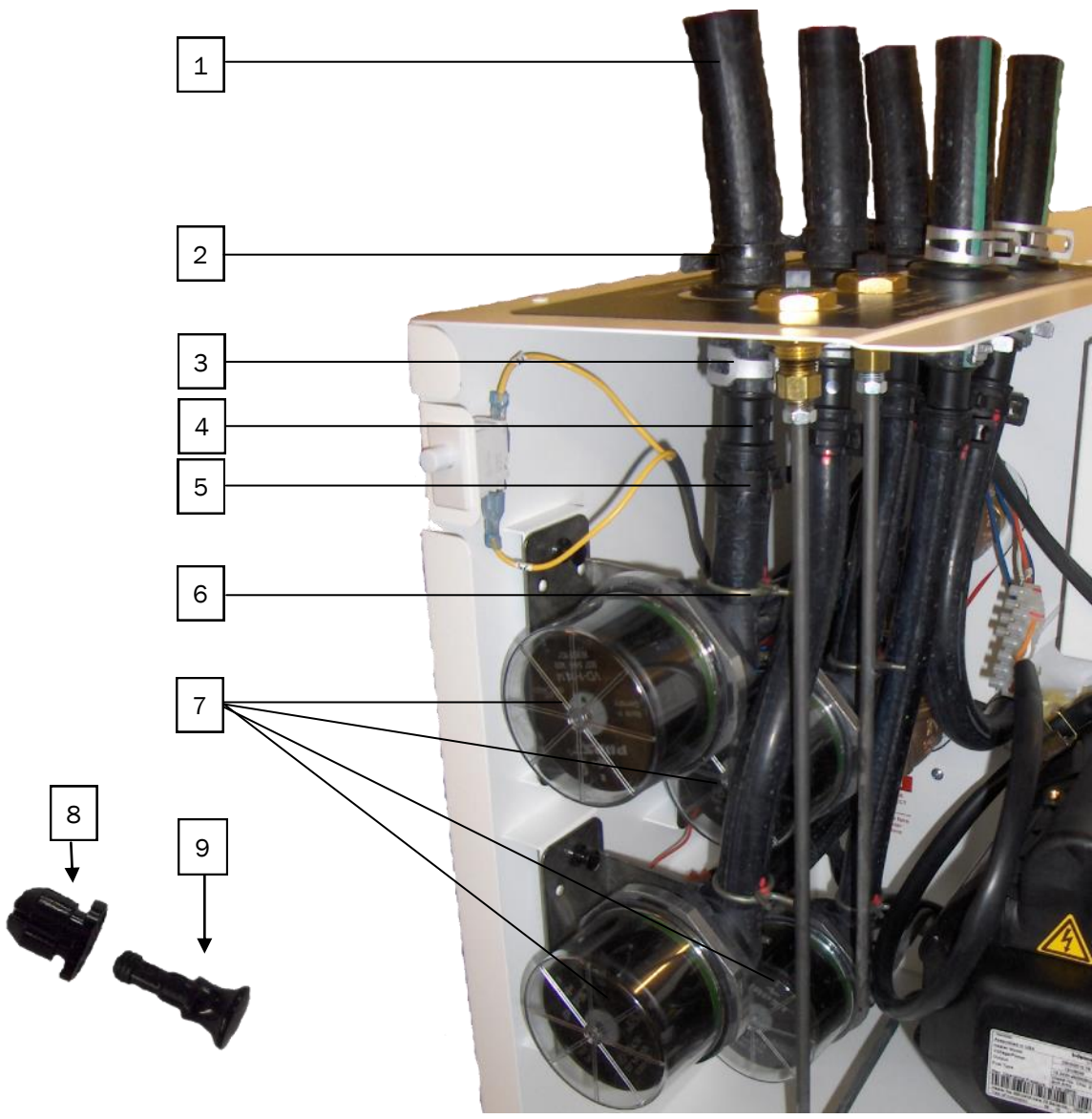
Key	Part Number	Description
1	ELE-100-464	Harness, Circulation Pump and Burner Control 12ft.
2	PLX-007-065	Valve, Air Comb, Coin/Key
3	PLE-007-000	Valve, Air Assembly Comb, Coin/Key
4	PLX-105-800	Fitting, Bulkhead, 1/4 x 1/4 in (F) NPT Brass
5	PLE-105-810	Fitting, Bulkhead Mod 1/2 x 1/2 (F)
6	HDX-000-623	Clamp, Romex 1/2' Plastic



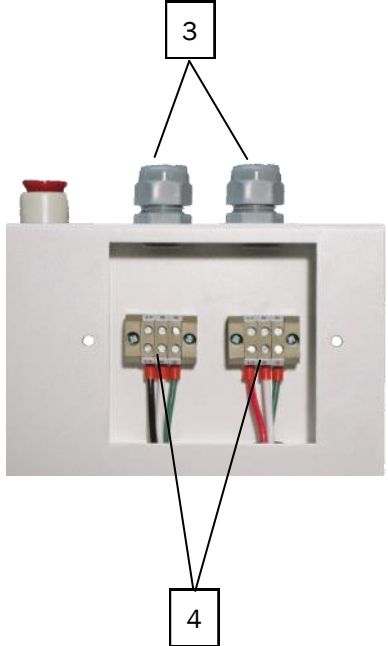
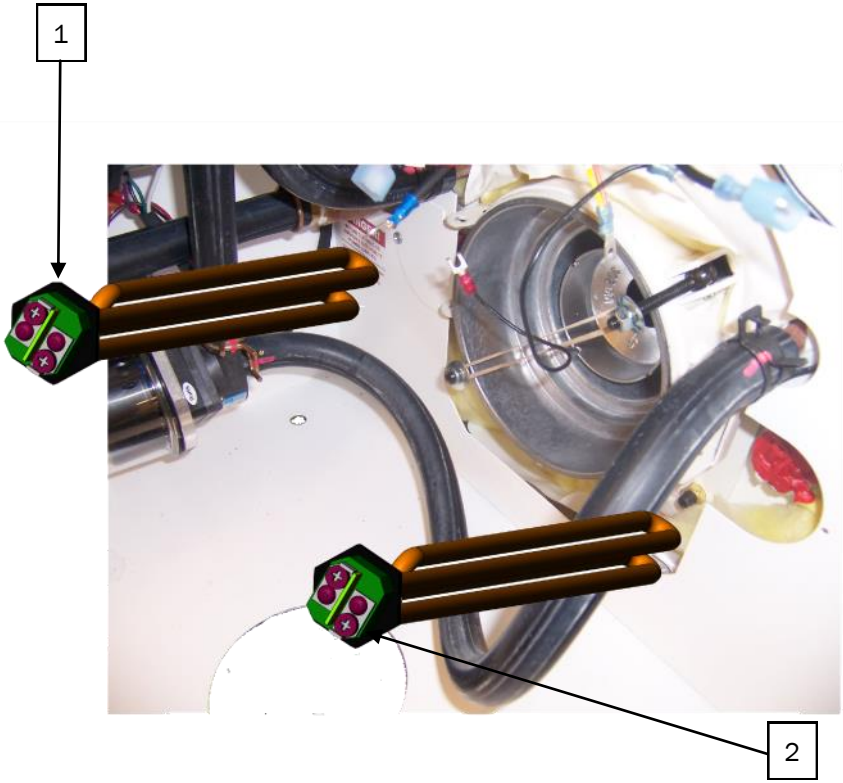
Key	Part Number	Description
1	ELX-000-050	Switch, Interlock
2	PLE-100-814	Pump, Zone Circulation/Engine Preheat
3	PLX-BV1-200	Valve, Ball 1/2 in. (F) NPT Brass
4	PLX-699-330	Fitting, Brass Barb 1/2 x 1/2 (M) NPT
5	SME-600-002	Cover, Access Thermostat
6	SME-700-172	Cover, Access Service Domestic Water
7	SME-200-202	Cover, VAC Access



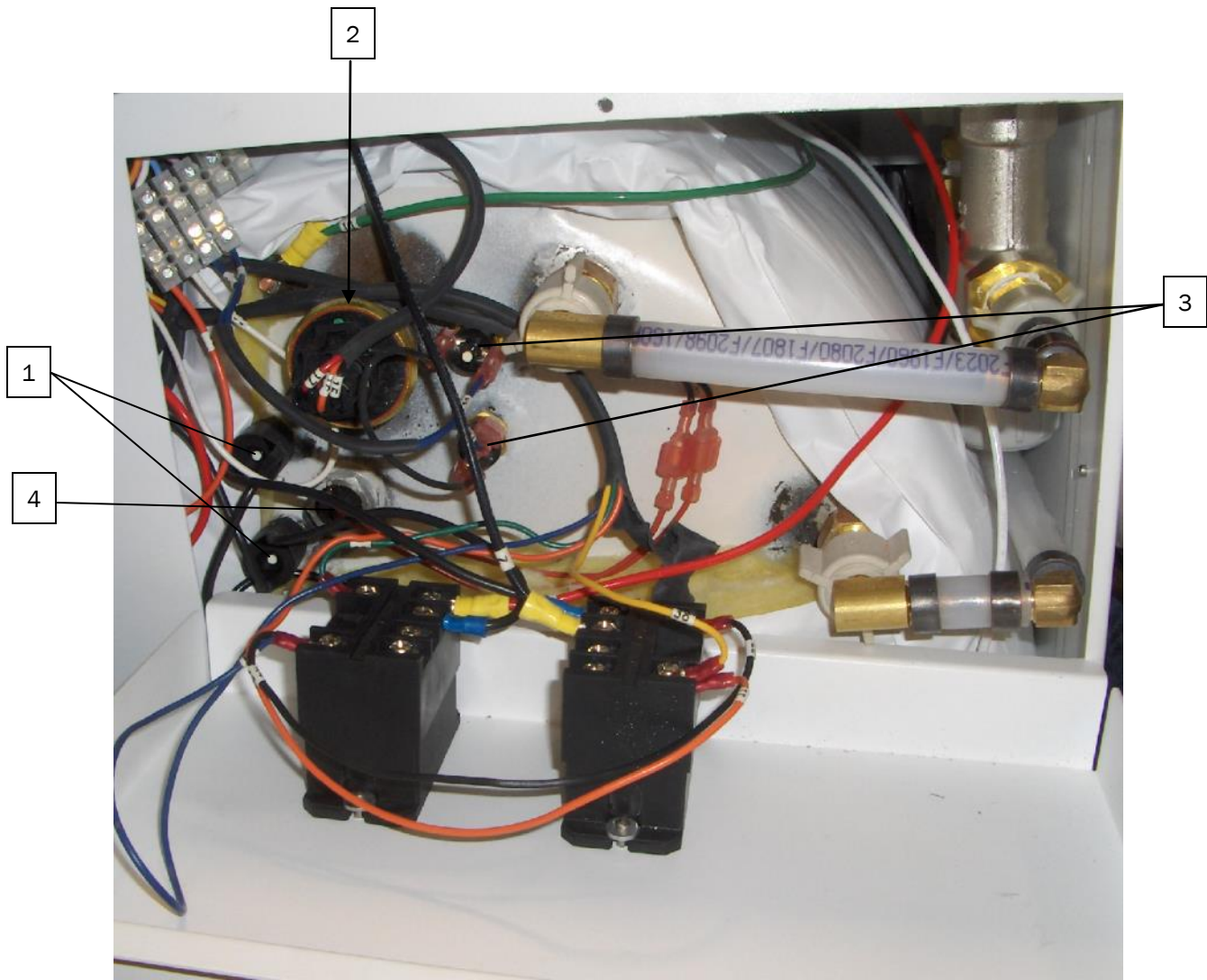
Key	Part Number	Description
1	FLX-421-000	Fitting, Inverted Flare Connector 1/4 Tube x 1/4 (M) NPT
2	FLE-421-858	Tube, Return Fuel Line Assembly 1/4 in Steel
3	FLE-421-859	Tube, Supply Fuel Line Assembly 1/4 in Steel
4	PLX-699-330	Fitting, Brass, Barb 1/2 x 1/2 (M) NPT
5	PLX-2A1-300	Valve, Brass Check, 1/2 x 1/2 (F) NPT
6	PLX-122-000	Fitting, Brass, Close Nipple 1/2 (M) NPT w/ Hex



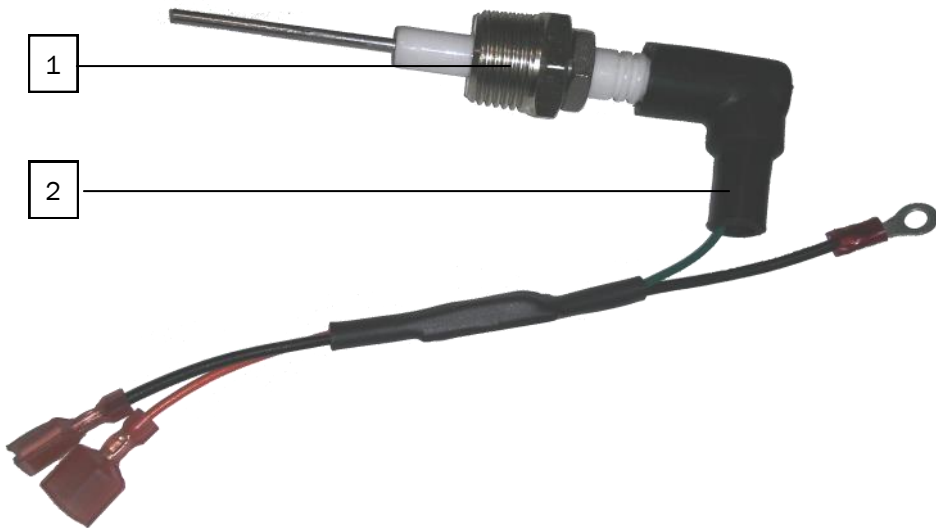
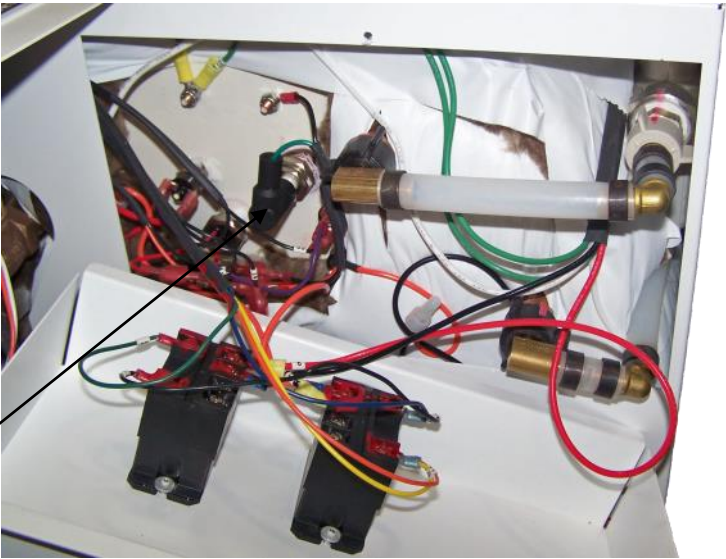
Key	Part Number	Description
1	PLX-000-433	Hose, Heater Green Stripe 3/4 in.
2	PLX-CTB-270	Clamp, Hose Constant Tension 3/4 in.
3	PLX-CTB-290	Clamp, Hose Constant Tension 1 1/16 in. diameter
4	PLX-000-815	Fitting, Reducer 3/4 in. to 1/2 in. Black Nylon
5	PLX-CTB-250	Clamp, Hose, Constant Tension 23/32
6	PLX-000-140	Clamp, Hose Single Wire 7/8 in Steel
7	PLE-100-814	Pump, Circ. Assembly Zone/Engine Preheat w/ cap and Gasket
8	HDX-100-100	Grommet, Nylatch
9	HDX-100-200	Plunger, Nylatch



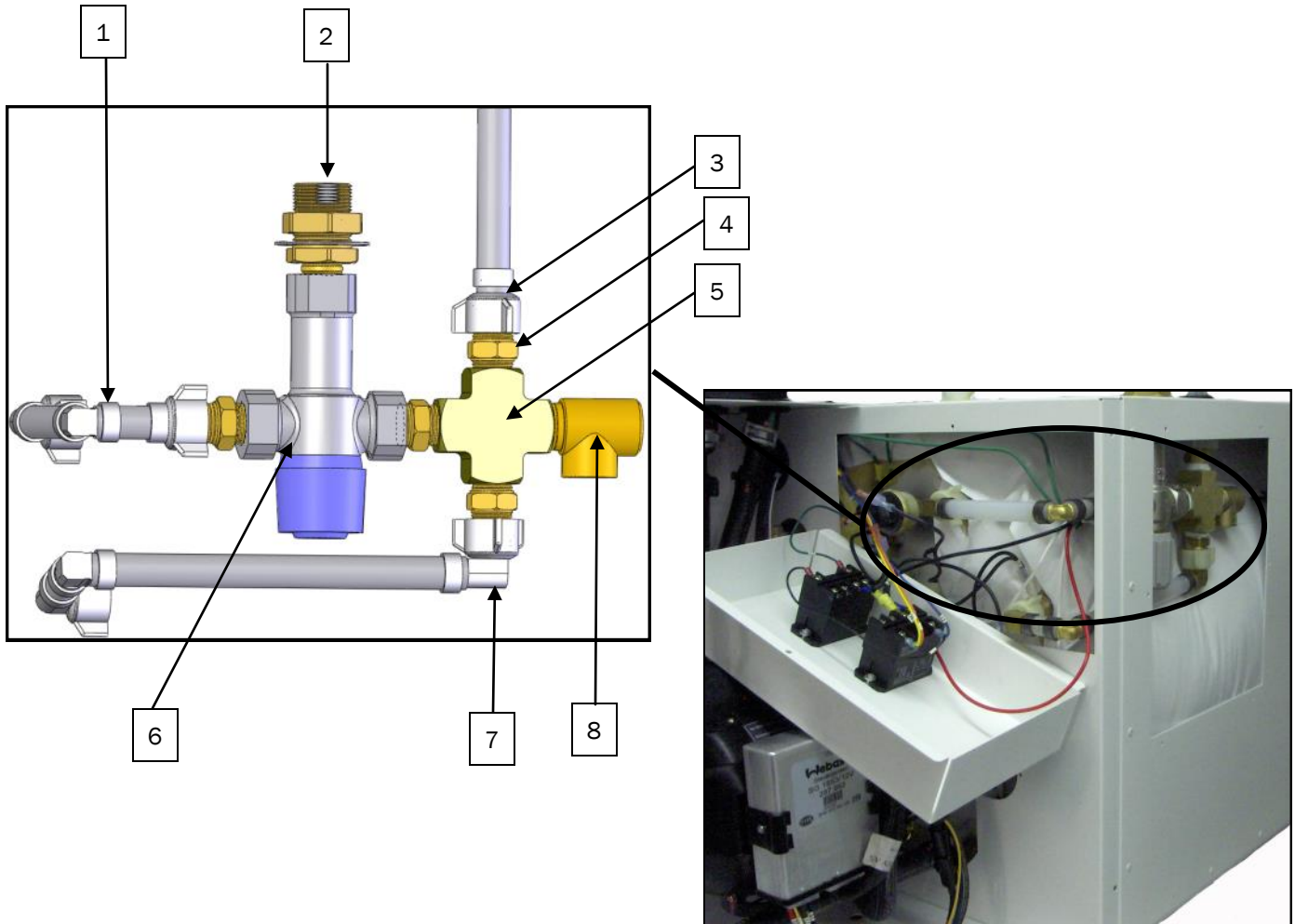
Key	Part Number	Description
1-600	ELX-G12-07L	Element, Electric Heating 120 VAC/2000 Watt
1-675	ELX-2E7-600	Element, Electric Heating 240 VAC/4500 Watt
2	ELX-G12-07L	Element, Electric Heating 120 VAC/2000 Watt
3	HDX-000-623	Clamp, Romex 1/2 in. Plastic
4	ELE-000-905	Block, Terminal 3 Position



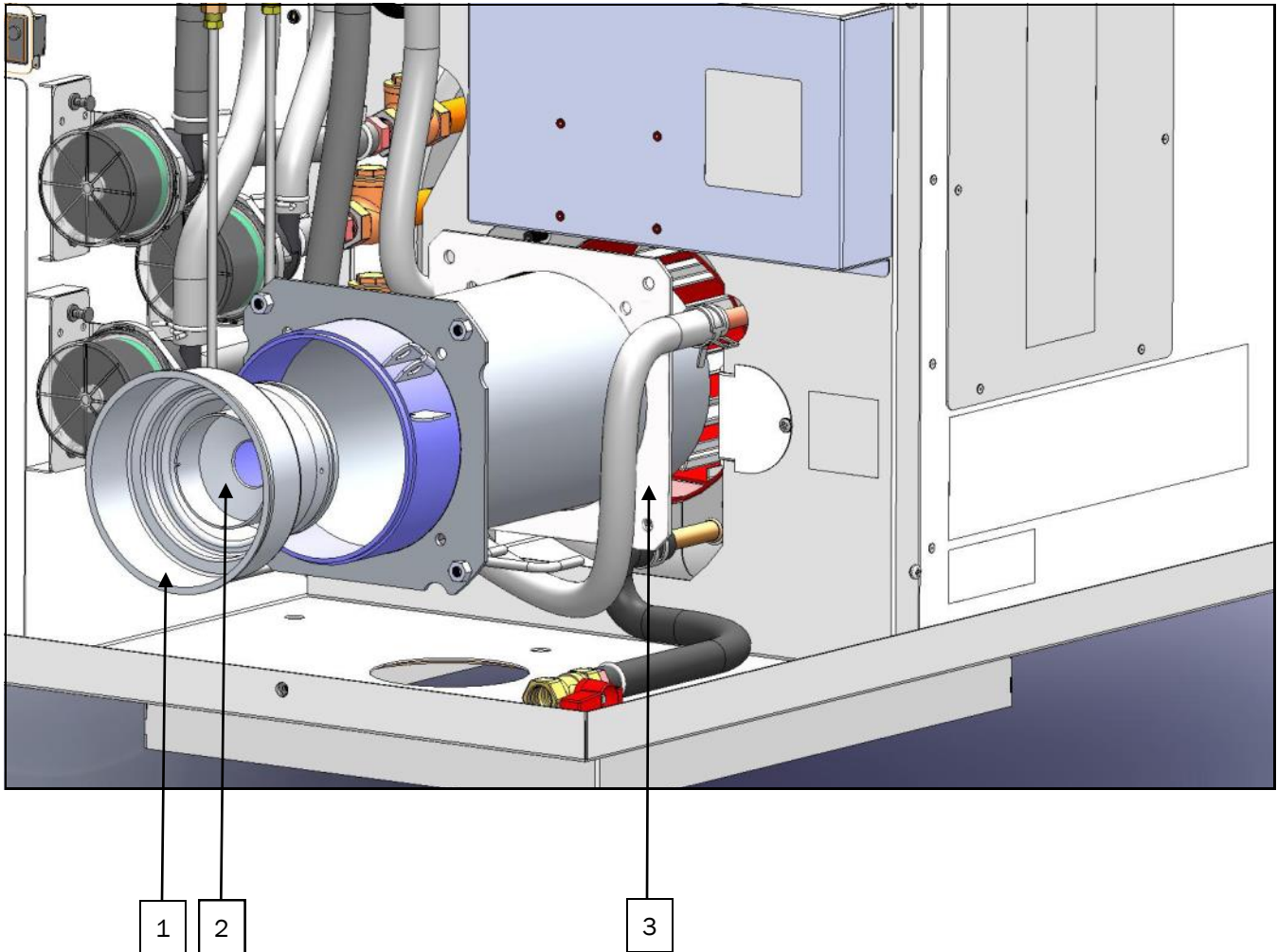
Key	Part Number	Serial Number	Description
1	ELE-000-616-FRU		Thermostat, High Limit VAC 215°F (Electric Element)
2	ELX-800-003	A600-090001 - A600-140020	Switch, Fluid Level Capacitance
3	ELE-HLT-425		Thermostat, High Limit 215°F w/ Spade Connectors (Burner)
4	ELE-014-005		Thermostat Control 185°F 1/2 in. (M) NPT



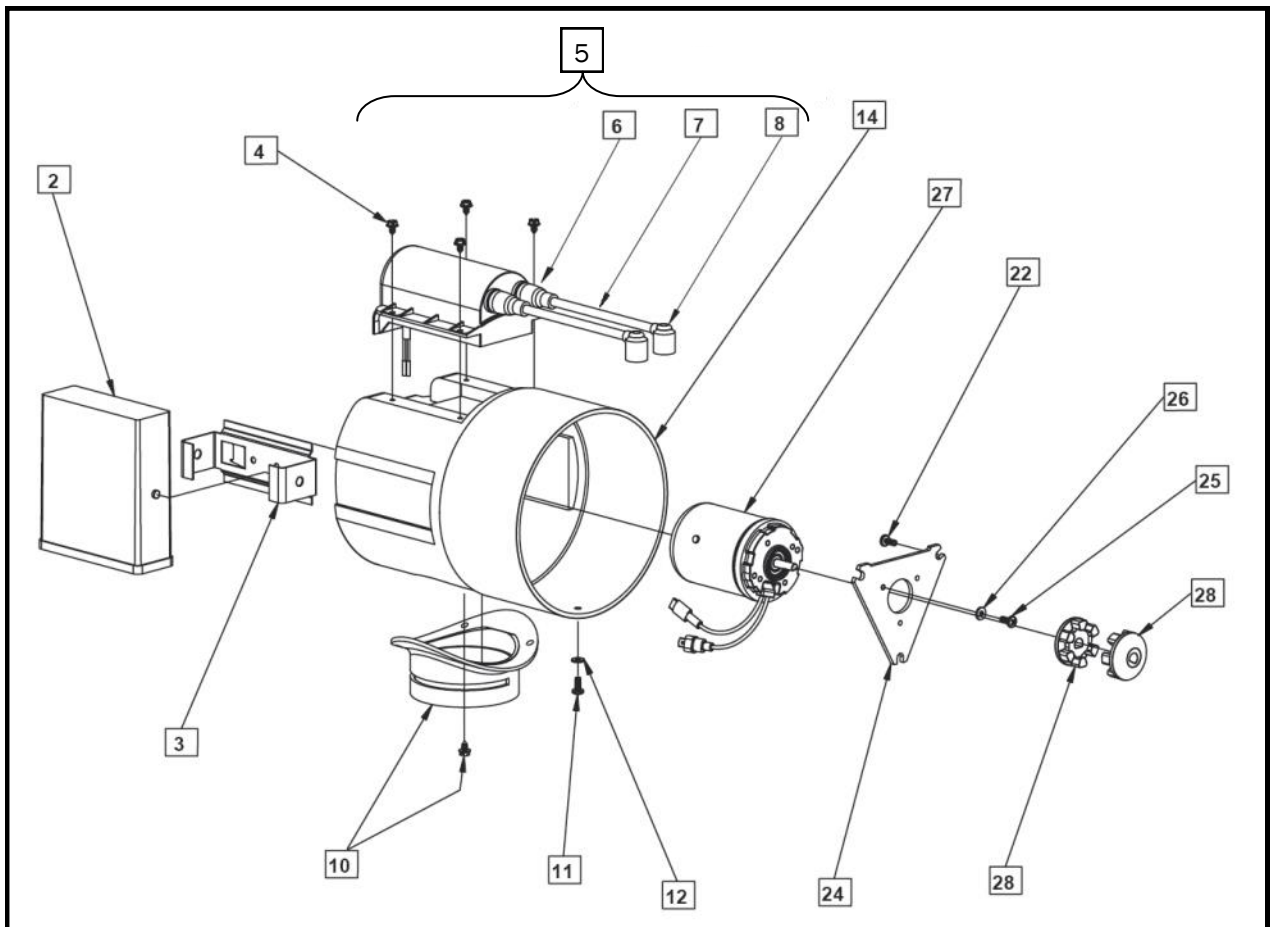
Key	Part Number	Serial Number	Description
1	ELX-800-005	A600-140021 - CURRENT	Switch, Fluid Level Conductive
2	ELX-AMP-005	A600-140021 - CURRENT	Circuit, Amp



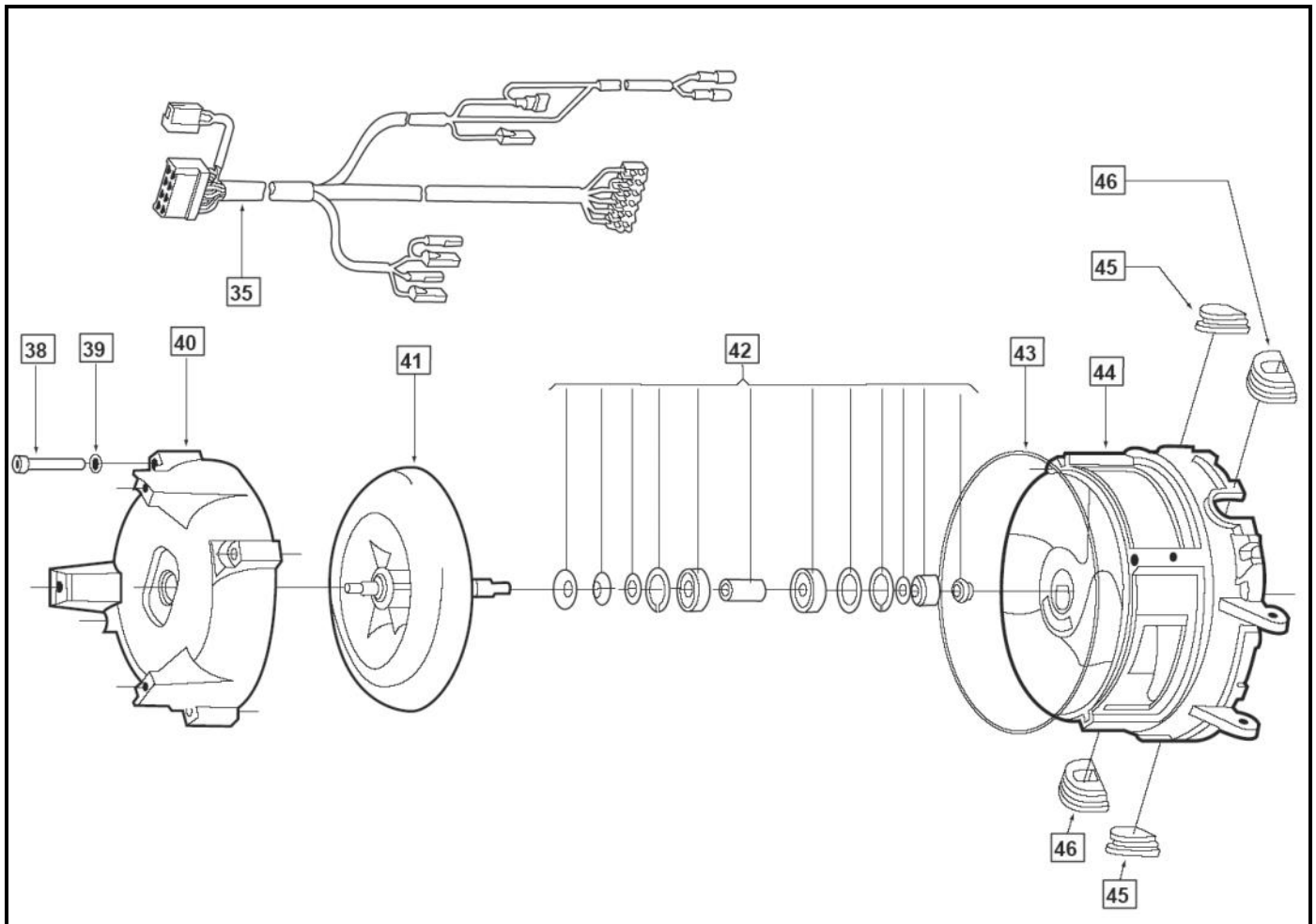
Key	Part Number	Description
1	PLX-000-745	Ring, Crimp 1/2 in.
2	PLE-105-810	Fitting, Bulkhead Mod 1/2 x1/2 (F)
3	PLX-000-730	Fitting, Straight Swivel 1/2 in. Barb x 1/2 in FPT
4	PLX-122-000	Fitting Brass, Close Nipple 1/2 (M) NPT w/ Hex
5	PLX-000-725	Fitting Cross 1/2 in. Brass
6	PLX-09P-100	Valve, Tempering 145°F
7	PLX-000-755	Fitting Elbow, Swivel 1/2 in. Barb x 1/2 in. FPT
8	PLX-111-125	Valve, Pressure Relief 125 PSI



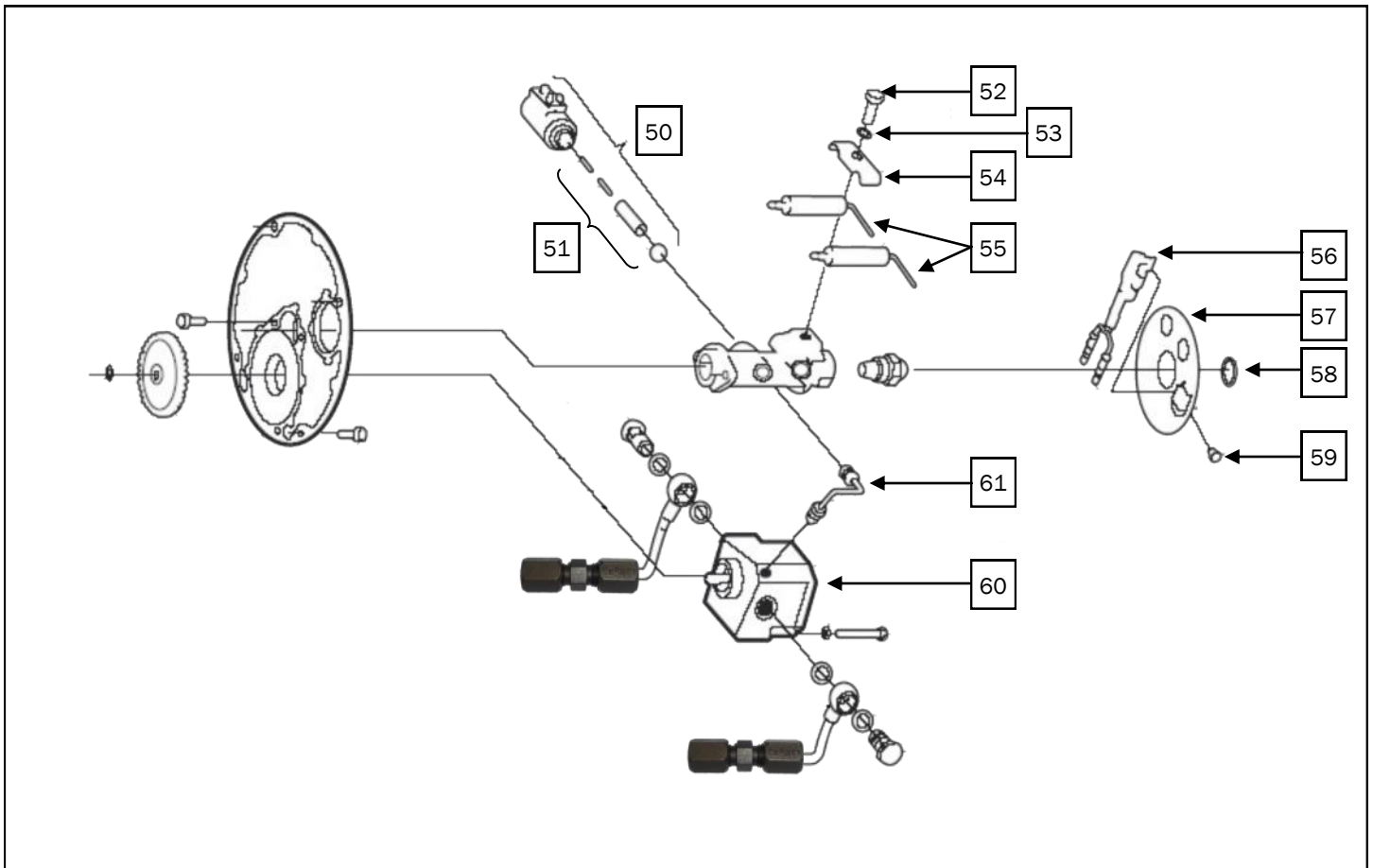
Key	Part Number	Description
1	WPX-302-828	Housing, Swirler, DBW 2010
2	WPX-302-651	Air Swirler, DBW 2010
3	HDE-700-205	Gasket, Combustion Chamber Tube



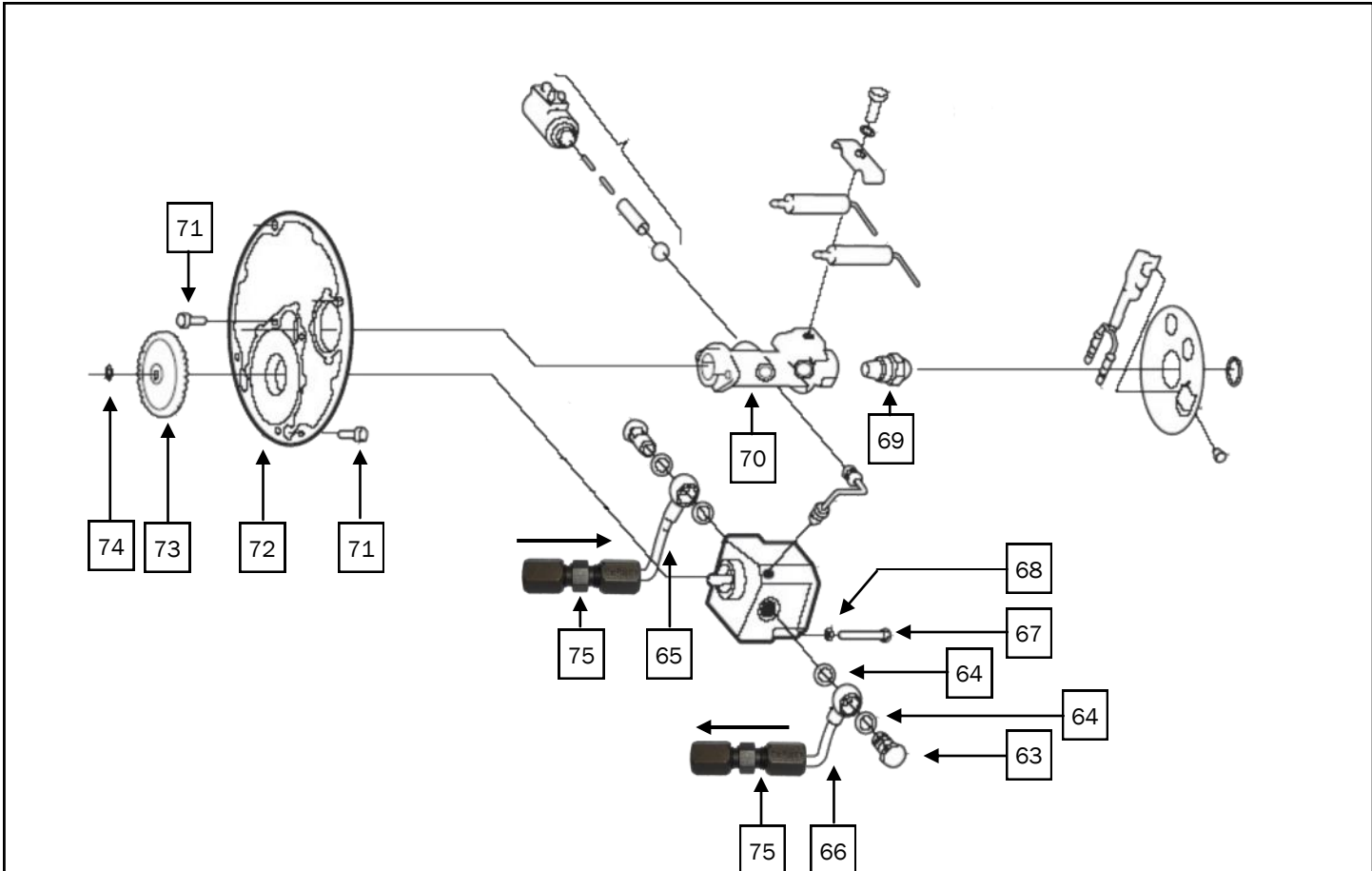
Key	Part Number	Description
2	WPX-287-962	Controller, Diesel Burner, 12 VDC
3	WPX-362-107	Bracket, Controller Mounting
4	WPX-470-562	Screw, Coil Mounting
5	WPX-101-838	Coil, Ignition, 12 VDC
6	WPX-404-918	Boot, Ignition Wire
7	WPX-178-624	Wire, Ignition
8	WPX-176-494	Boot Ignition Wire, Elbow
10	WPX-350-427	Shutter, Combustion Air Intake
11	WPX-432-377	Screw, Protection Housing
12	WPX-152-269	Washer, Star, Protection Housing
14	WPX-436-216	Cap, Protection, Motor
22	WPX-147-834	Screw, Flange, Blower Housing
24	WPX-425-05A	Plate, Motor Mounting
25	WPX-432-377	Screw, Motor Plate
26	WPX-152-269	Washer, Star, Motor Plate
27	WPX-425-060	Motor, Combustion Air/Fuel Pump, 12 VDC
28	WPX-350-516	Clutch, Half, 6mm



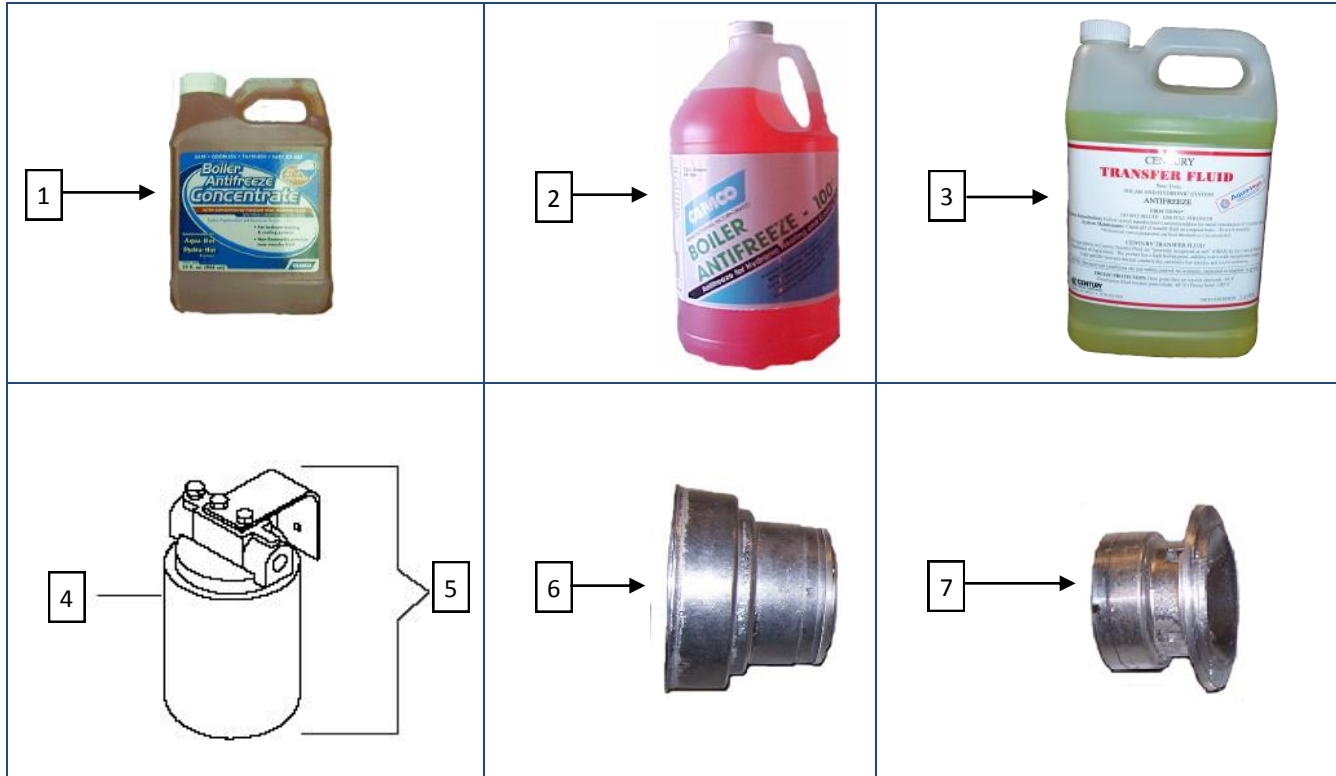
Key	Part Number	Description
35	WPX-434-795	Harness, C-Plug
38	WPX-148-210	Screw, Blower Casting
39	WPX-152-552	Washer, Lock, Blower Casting
40	WPX-301-841	Housing, Blower
41	WPX-373-001	Blower, Wheel w/ Shaft
42	WPX-378-313	Bearing Kit
43	WPX-412-244	O-Ring Blower Casting
44	WPX-225-67A	Casting, Blower
45	WPX-298-964	Grommet, Blower Casting, Left
46	WPX-299-995	Grommet, Blower Casting, Right



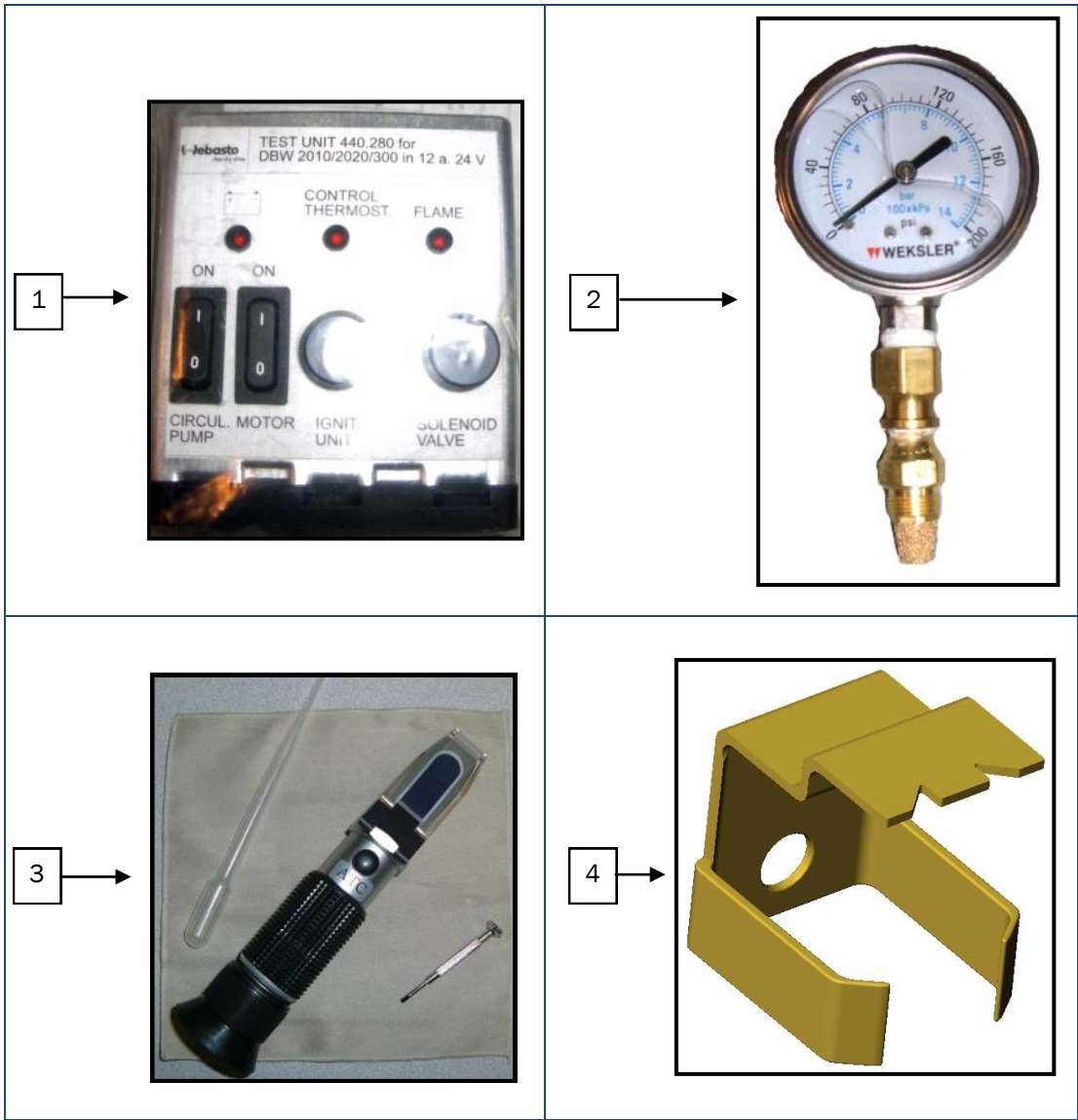
Key	Part Number	Description
50	WPX-322-083	Valve, Fuel Solenoid, 12 VDC
51	WPX-386-650	Valve, Fuel Solenoid, Kit
52	WPX-267-279	Bolt, Electrode
53	WPX-152-560	Washer, Lock, Electrode
54	WPX-278-971	Clamp, Electrode
55	WPX-274-313	Electrode, Ignition
56	WPX-638-78A	Sensor, Flame
57	WPX-887-71A	Disc, Photo
58	WPX-453-048	Clip, Retaining, Photo Disc
59	WPX-147-699	Screw, Flame Sensor
60	WPX-503-03A	Pump, Fuel, Kit
61	WPX-665-49A	Tube, Fuel, High Pressure



Key	Part Number	Description
63	WPX-150-754	Bolt, Banjo
64	WPX-151-157	Gasket, Ring, Copper
65	WPX-661-002	Pipe, Fuel, Banjo, Supply, DBW 2010 (W/ Straight Tube)
66	WPX-661-001	Pipe, Fuel, Banjo, Return, DBW 2010 (W/ Straight Tube)
67	WPX-277-282	Screw, Mounting, Fuel Pump
68	WPX-152-544	Washer, Lock, Fuel Pump
69	WPX-886-41A	Nozzle, Fuel, 0.35 GPH
70	WPX-412-198	Manifold, Fuel Nozzle, Brass
71	WPX-277-150	Screw, Plate, Nozzle Stand
72	WPX-102-861	Plate, Manifold
73	WPX-371-289	Gear, Fuel Pump, Nylon
74	WPX-152-390	Snap, Ring, Gear
75	FLX-421-010	Fitting, Hex Union 1.4 in. Tube



Key	Part Number	Description
1	MSX-300-275	Antifreeze, Boiler, P.G., 1 QT. Concentrate (Camco)
2	MSX-300-270	Antifreeze, Boiler, P.G., 1 Gallon (Camco)
3	MSX-300-300	Antifreeze, Boiler, P.G., 1 Gallon (Century Transfer Fluid)
4	FLE-120-100	Filter, Canister, Replacement, Garber
5	FLX-120-000	Filter, Fuel, Garber
6	WPX-302-828	Housing, Swirler, DBW 2010
7	WPX-302-651	Air Swirler, DBW 2010



Key	Part Number	Description
1	WPX-440-280	Test, Controller
2	WPE-600-190	Gauge, Fuel Pressure
3	MSX-907-162	Tester, Refractometer, Battery/Coolant
4	WPX-310-646	Gauge, Adjustment, Electrode

PARTS MANUAL

600 SERIES



AHE-600-D03

AHE-675-D03



7501 Miller Drive, Frederick, CO 80504

Visit us online at www.aquahot.com
Call us at 1(800) 685-4298 or (303) 651-5500

©2014 Aqua-Hot Heating Systems Inc. Printed In U.S.A.