

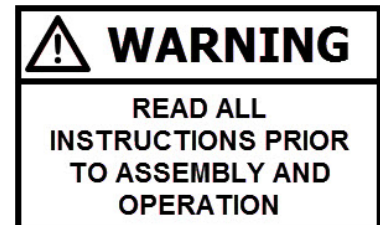


Imported by:
STEPHANIE MCNEIL CORPORATION

250 Augusta Avenue - Suite 204
Toronto, Ontario, M5T 2L7
Canada
(647) 879-7837

info@studiotitanamerica.com
studiotitanamerica.com

Made in: South Korea



CAUTION: Use leather work gloves and safety glasses when handling the box, when opening the box and when assembling the product.

HAZARD: Strapping is under tension and can jump when cut. Strapping and Buckles, Protective Edging, Plastic Walls, Plastic Caps and Product Components and parts should be handled with care. Work slowly, use extra caution to avoid any sharp edges.

Additional Tools may be Required: The essential tools are included. The following tools are recommended to be on site: Box Cutter, Scissors, Screw Driver, Pliers or Adjustable wrench,





Rough Handling:

Each package leaves the facility in perfect condition. The Column boxes are constructed using thick cardboard. Carefully inspect all components prior to assembly. If there are damaged parts, do not assemble the stand. If the damage is noticeable such as cracks or broken off parts contact your dealer for exchange. You can also contact Studio Titan America by email with images if you require a second opinion.

Intended use:

This product is intended for use by professional and commercial photographers in a studio environment. The wheels are designed to be used indoors on a floor that is smooth, hard, flat and unobstructed.

CAUTION: If the surface is not ideal, the stand must be moved with **CAUTION**, very slowly, using both hands to prevent the stand from tipping over. If the surface is not ideal, lower the shelf before moving the stand. We also recommend the use of a sandbag or weight attached at the base when conditions are not ideal to prevent tipping over. Ultimately it's the users responsibility to understand how the stand operates and to use the stand within its specification limits, as intended to insure their own safety and the safety of their equipment. Please read all documentation prior to assembly.

Product Identification:

Product Nameplate / Label is located on the vertical column assembly.

The label information is indicated below:

STUDIO TITAN AMERICA

No.[Model Number] - [Manufacture Date]

Imported by / Importe par

STEPHANIE MCNEIL CORPORATION

250 Augusta Ave, Suite 204

Toronto, ON M5T 2L7 CANADA

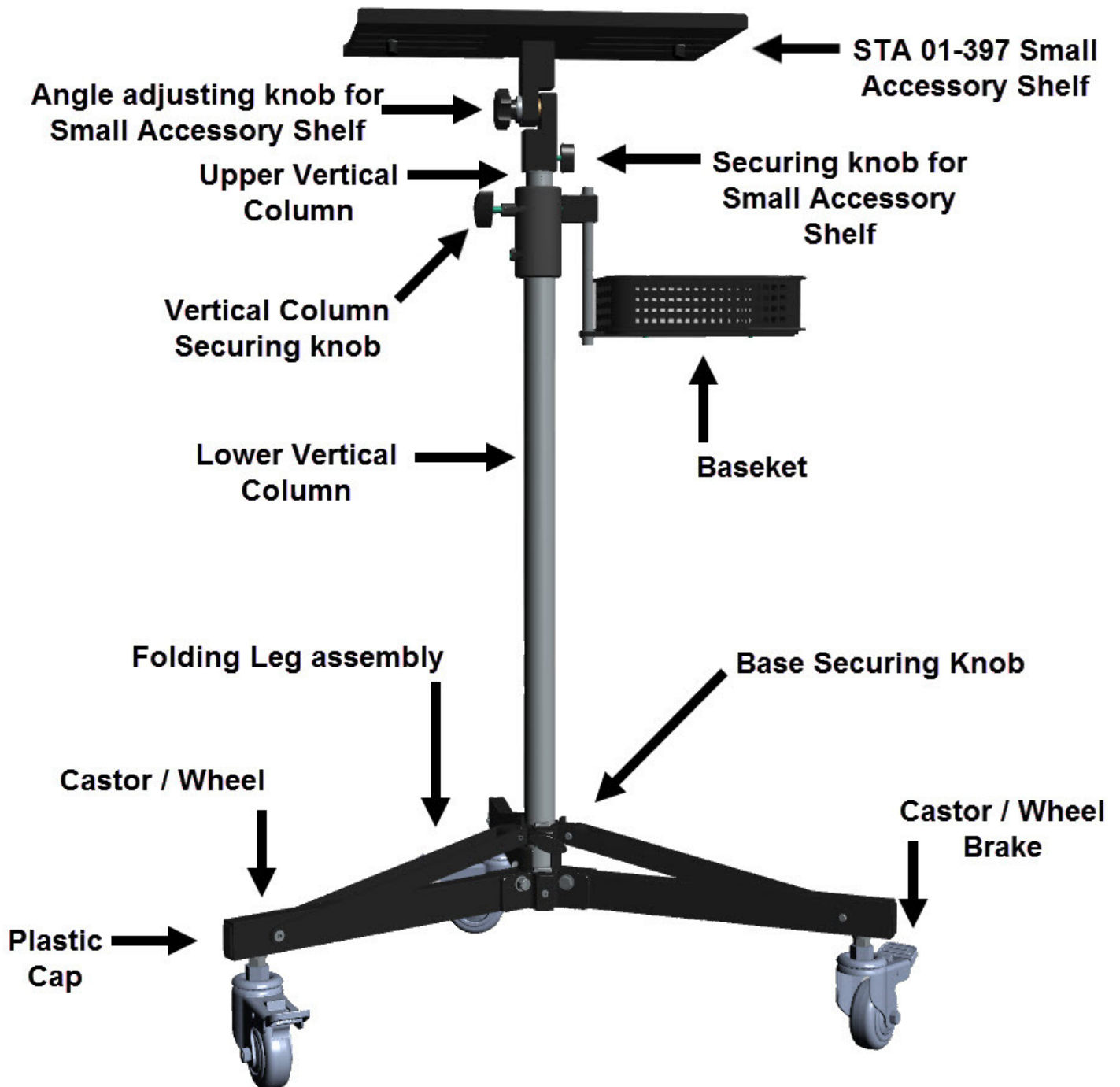
Manufactured in / Fabrique en

SOUTH KOREA

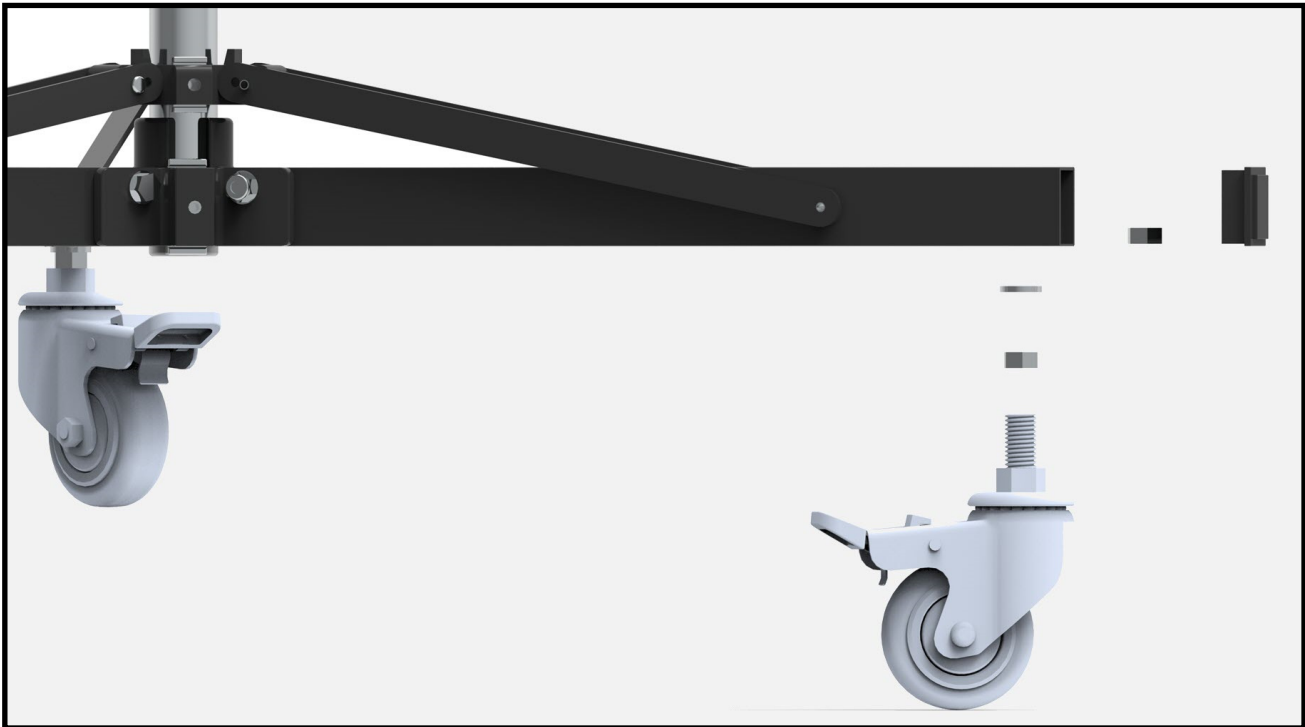
Label examples are indicated below:



Component Identification: STA 06-040



Component Identification: STA 06-040 Castor Assembly

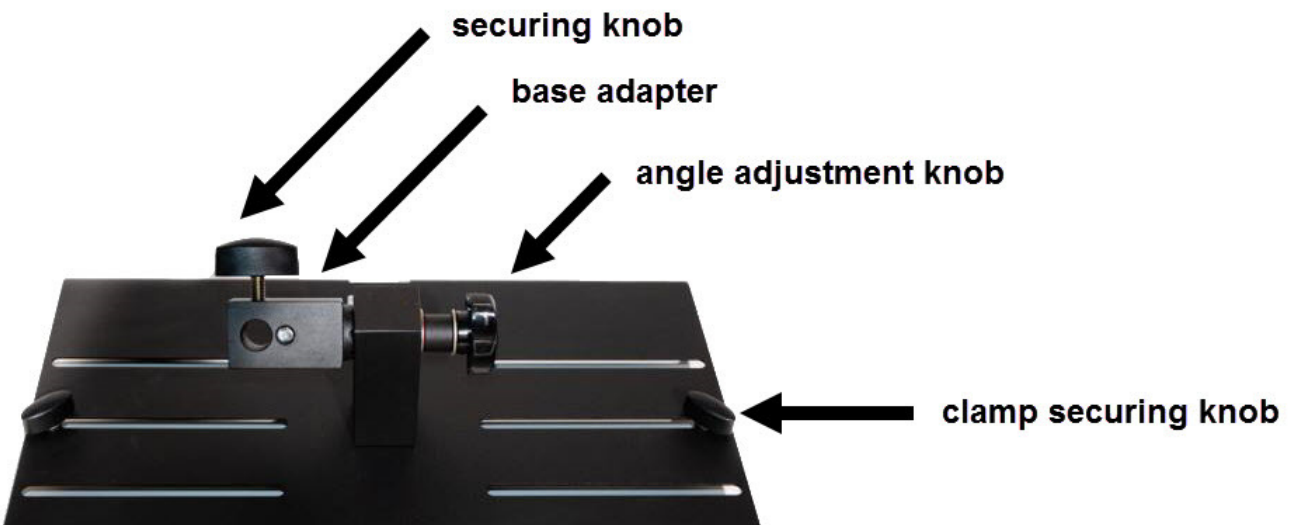
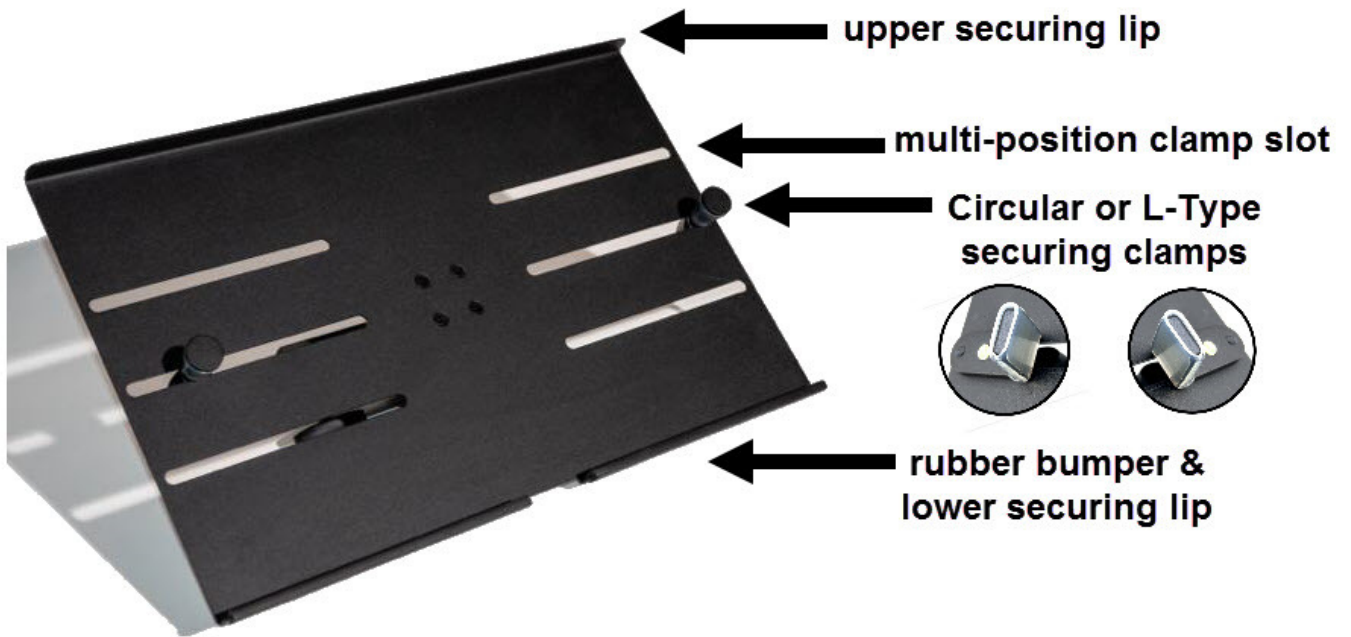


Assembly Steps:

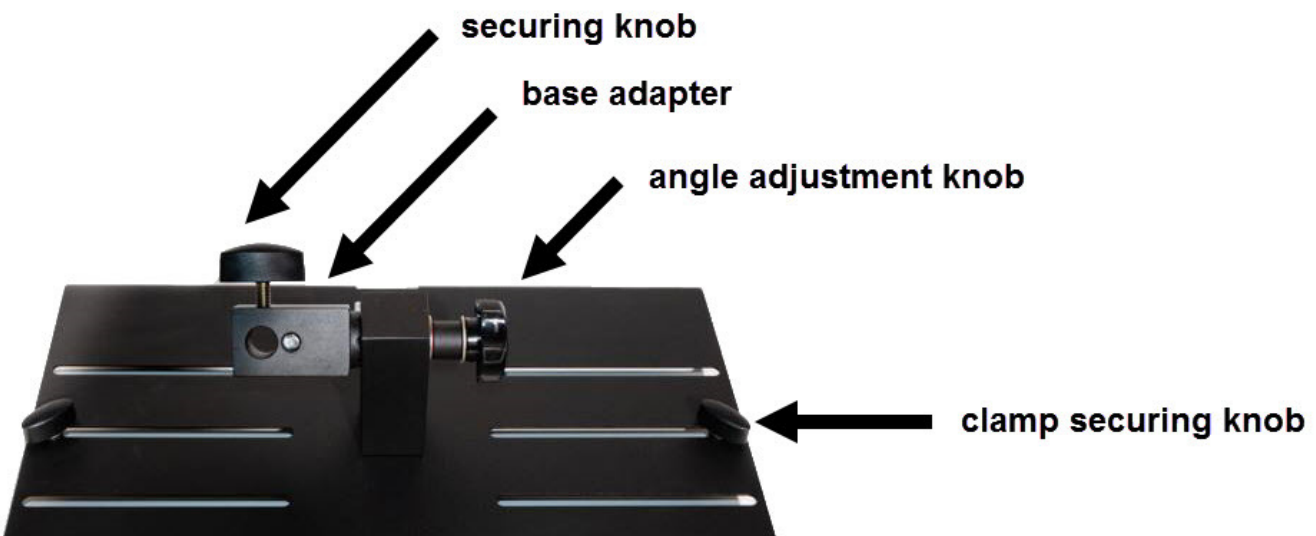
1. The Stand is supplied with three loose castor wheels which require assembly to the folding legs. Locate the small box with the castor wheels, hardware, plastic cap and tool. Each castor wheel requires two nuts and one washer. Assemble the castor wheel assemblies by attaching and tightening one nut and washer onto the threaded shaft by hand. Insert the second nut into the end of the leg tube and hold it in place over the castor shaft hole. Attach the castor wheel assembly to the leg by inserting the threaded shaft into the castor shaft hole. Rotate the threaded shaft clockwise into the second nut until it is hand tight, using the supplied open ended box wrench tool. Tighten the nut that is fixed to the castor wheel assembly, clockwise until it is hand tight. Insert the black plastic cap into the end of the leg tube. [refer to page 5 & 6]



Component Identification: STA 01-397



Component Identification: STA 01-397



Assembly Steps STA 01-397 :

- 1. Tighten the Angle adjustment lever.
[refer to page 8 & 9]**
- 2. Attach small accessory shelf to a 5/8th inch spigot into base adapter and tighten the base adapter securing knob. [refer to page 5, 8 & 9]**
- 3. Place the notebook or device onto the shelf and determine which multi-position slot is best suited. Adjust the position and tighten the clamp securing knob until the notebook or device is secure. [refer to page 8 & 9]**



Theory of Operation:

The Digital Imaging Work Station Stand is used by professional and commercial photographers when capturing images tethered to a camera. Tethering allows developing and viewing of the images immediately after capture. This workflow guarantees a sharp properly exposed result. It saves time by not having to redo a shoot because of a technical issue that was not easily observed on the camera's monitor. The Basket conveniently holds the Camera when not shooting. Compared to a tripod type system it provides a stable rolling platform.

Tip Over Hazard:

Caution must be used when moving the stand to prevent tip over. Move the stand slowly and avoid uneven surfaces.

STA 06-040 Specification

- **Total Height floor to top of 5/8ths spigot** : 140cm / 55 in
- **Working Height Maximum floor to top of Digital Imaging Tray** : 145cm / 57 in
- **Working Height Minimum floor to top of Digital Imaging Tray** : 100cm / 39.3in
- **Total Weight** : 8.4kg / 18.5lbs
- **Suggested Wheels** : 01-090-20-023
- **Base Diameter** : 80cm / 31.5 in
- **Recommended General load capacity** : 8kg (17.6 bs)
- **Main Outer Vertical Column Diameter** : 34.8mm / 1.37 in
- **Secondary Inner Vertical Column Diameter** : 30mm / 1.18 in
- **Attachment Hardware**: 5/8th spigot with flat
- **Includes Basket as shown**
- **Securely accommodates** : IPAD & IPAD PRO upto 12.9” MAC-BOOK PRO 13, 15 & 16 Inch Notebooks
- **Shelf Approximate overall dimensions** : L: 450mm (17.7 in) W: 265mm (10.43 in)
- **Shelf Approximate slot dimension** : W: 160mm (6.3 in) W: 10mm ($\frac{3}{8}$ in)
- **Shelf Approximate opening dimension lower securing lip** : W: 140mm (5 $\frac{1}{2}$ in)
- **Includes** : Notebook friendly conical securing clamps with rubber perimeter
- **DIT only Weight** : 2kg / 4.4 lbs

• **Studio Titan RESERVES THE RIGHT TO MAKE CHANGES AND PRODUCT ENHANCEMENTS. PRODUCTS SUPPLIED MAY NOT BE EXACTLY AS ADVERTISED OR SHOWN ON THE WEBSITE OR IN THE MANUAL.**

- Plastic bags are made of LDPE (Low-Density Polyethylene) – Recyclable plastic (check Local Authority) LDPE can be recycled. However, check with your Local Authority to ensure it is recycled in your area. This is described as a hard flexible plastic.

- The Corrugated cardboard box can be recycled at depots, in municipal curbside collection programs and through private recyclers.

STA 01-397 Specification

- **Securely accommodates :** IPAD & IPAD PRO 12.9" MACBOOK PRO 13, 15 & 16" Notebooks
- **Approximate overall dimensions :** L: 450mm (17.7 in) W: 265mm (10.43 in)
- **Approximate slot dimension :** L: 160mm (6.3 in) W: 10mm ($\frac{3}{8}$ in)
- **Approximate opening dimension lower securing lip :** W: 140mm (5 $\frac{1}{2}$ in)
- **Includes :** Notebook friendly Conical or L-type securing clamps with rubber perimeter
- **Weight :** 2kg / 4.4 lbs

Materials composition:

-The Shelf and Arms are made of steel. The nuts and bolts are made of stainless steel. The handles are made of plastic. This product does not contain lead.

Studio Titan RESERVES THE RIGHT TO MAKE CHANGES AND PRODUCT ENHANCEMENTS. PRODUCTS SUPPLIED MAY NOT BE EXACTLY AS ADVERTISED OR SHOWN ON THE WEBSITE OR IN THE MANUAL.

- Plastic bags are made of LDPE (Low-Density Polyethylene) – Recyclable plastic (check Local Authority) LDPE can be recycled. However, check with your Local Authority to ensure it is recycled in your area. This is described as a hard flexible plastic.

- The Corrugated cardboard box can be recycled at depots, in municipal curbside collection programs and through private recyclers.