



Assembly Instructions

1.2 W x 1.2 L x 2.0 **or** 2.3 m H
1.5 W x 1.5 L x 2.0 **or** 2.3 m H



- High Quality Grow Tent
- Tough ABS Plastic Fittings
- 25mm Powder Coated Poles
- 600 D Double Stitched Fabric
- Heavy Duty Industrial Zippers

Assembly Instructions

Tent size (cm)	Tube 1	Tube 2	Tube 3	Tube 4	Tube 5	Tube 6	Tube 7
120x120x200 cm	x6	x2	x4	x4	x1	x2	/
120x120x200/230 cm	x6	x2	x4	x4	x1	x2	x4
150x150x200 cm	x6	x2	x4	x4	x1	x2	/
150x150x200/230 cm	x6	x2	x4	x4	x1	x2	x4

1 x6

2 x2

3 x4

4 x4

5 x1

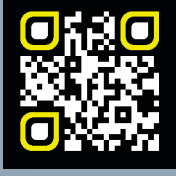
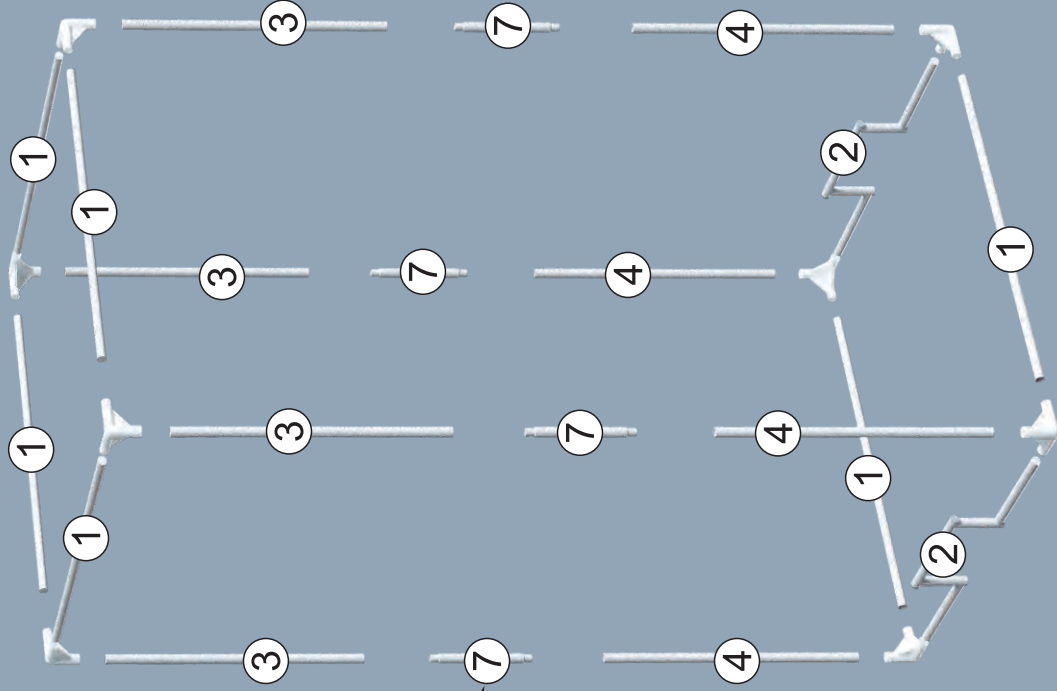
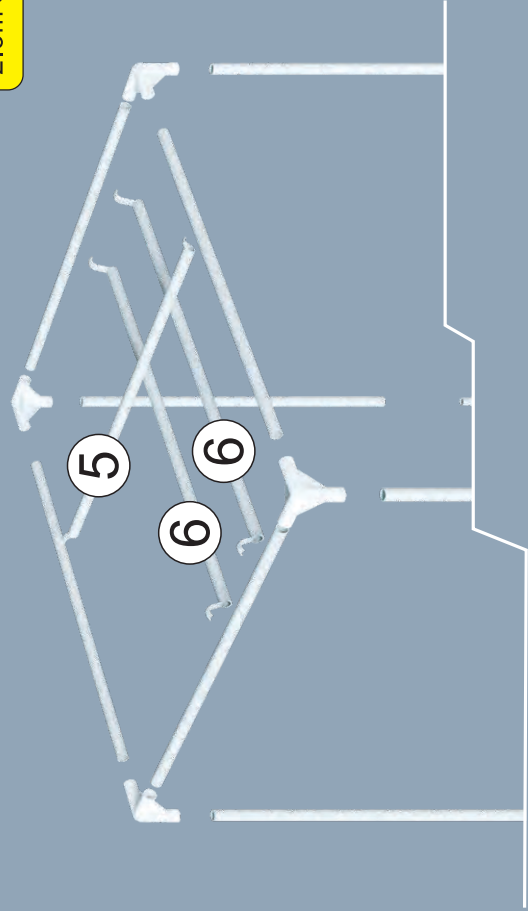
6 x2

8 x4 High Pressure Support Bars

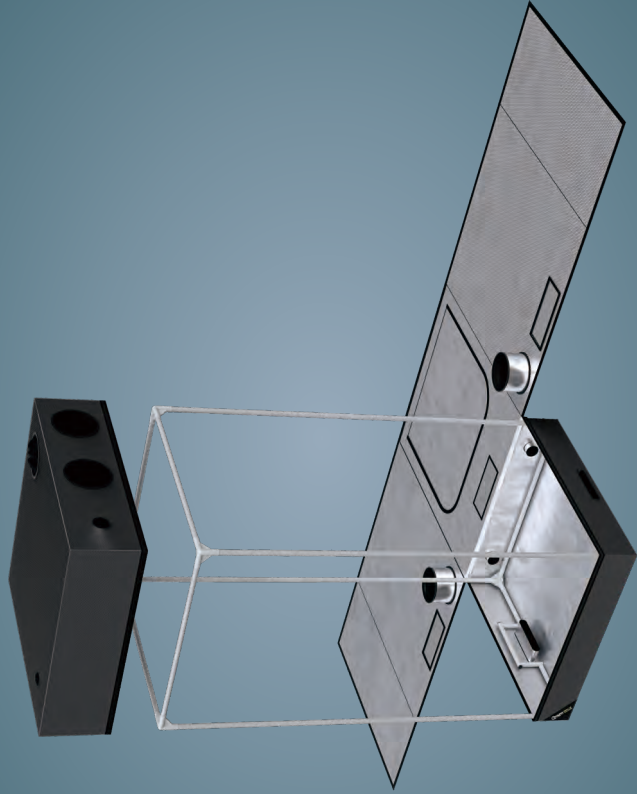


x8

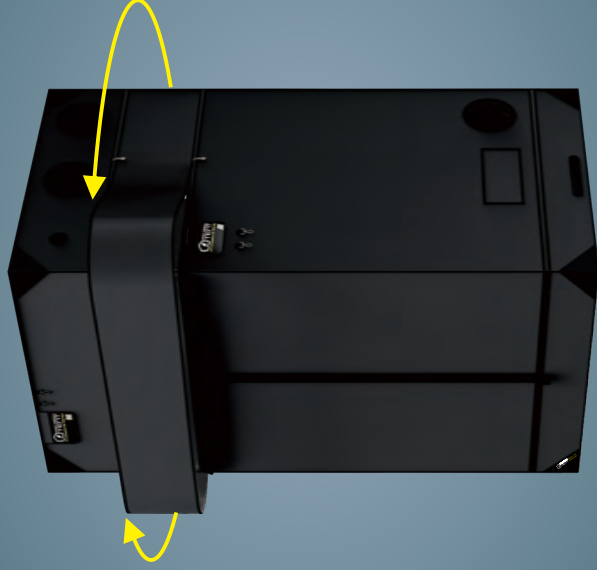
Note: Tube 7 is only used with the 2.3m extension panel



1



3



2



FRP GROUP
TENT
Bottom - Left
Front Corner

1. Unfold the tent and locate the bottom - left front corner tag for orientation. Place the assembled frame onto the tent base as pictured.
2. Place the roof panel over the top sides of the frame. **Fit the extension panel if using at 2.3 metres high.**
3. Lift the back of the tent up and over the frame then zip the top and sides together.
4. Install the high pressure support poles.