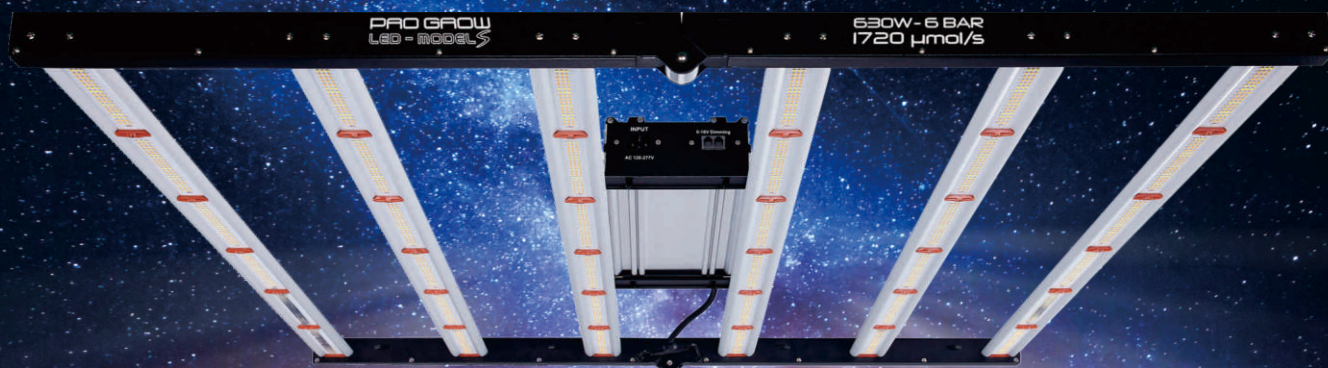


# PRO GROW

# EVO

# 2.8 $\mu\text{mol}/\text{J}$



## 630 W 1760 $\mu\text{mol}/\text{s}$

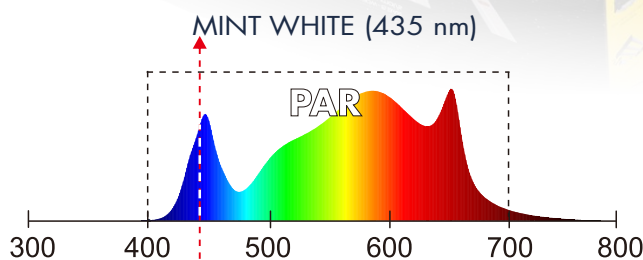


2202 X SMD  
LED DIODES

- Total PPF - 1760  $\mu\text{mol}/\text{s}$
- Efficacy - 2.8  $\mu\text{mol}/\text{J}$
- Sosen 0-10 V Driver
- CRI 88 - Full Spectrum Array
- Total Amps: 2.63 A @ 240 V
- 1170 mm x 1060 mm
- Adjust to 250, 380 or 500 W



SMART CONTROLLER COMPATIBLE



**SAMSUNG**  
LM301H

**OSRAM**  
HYPER RED

**4K**  
BALANCED  
CRI:90

**CE**



## PRO GROW EVO MODEL S / 630 W - 6 BAR

PRO GROW EVO Model S LED array is coupled with an ultra-reliable Sosen 0-10 V Dimmable Driver with the lowest 'in-rush current' of any driver on the market. The light weight and durable die-cast aluminium housings offer cool, fanless & totally silent operation. Extended reliability is assured with IP-55 water resistant, cleanable housings. Fixtures are further dimmable via a Master Controller (sold separately). Drivers can be fixed or remote mounted a maximum of 1.8 m away via the extension cord provided. Four quality mounting rope ratchets are included for immediate installation.



## OUTPUT AND EFFICACY

The PRO GROW EVO 630 W (Model S) has an output of PPF 1,760  $\mu\text{mol/s}$ . PRO GROW blends top bin SMD diodes from both Samsung and Osram for an outstanding efficacy of over 2.8  $\mu\text{mol/J}$ . The 630 W fixture emits 4,300 K of full spectrum light with an industry leading CRI of 88. A high, average PPFD of 1000  $\mu\text{mol/s m}^2$  is achievable across the whole plant canopy.



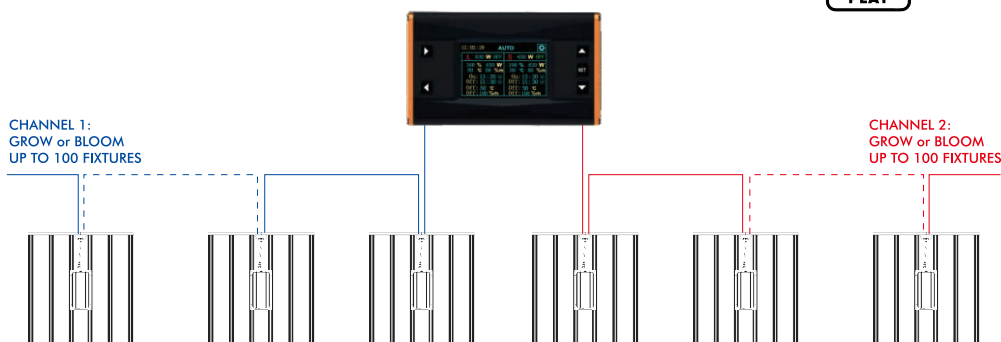
## SMART CONTROLLER (sold separately)

The PRO GROW EVO 630 W (Model S) is compatible with the PRO GROW Smart Controller. Equipped with a RJ14 Cable, up to 200 fixtures can be daisy chained from the one controller (100 fixtures per channel). Grow and Bloom channels can be operated simultaneously for both long and short day offset. Simply switch all fixtures to EXT mode to begin controlled operation.



Manual dimming switch. Switch to EXT when using the Smart Controller.

## SMART CONTROLLER COMPATIBLE (sold separately)



## FOLDABLE DESIGN

The foldable design saves on shipping and storage costs. Simply Unfold, plug and play with the Model S PRO GROW 630 W LED. Four quality rope ratchets are included for immediate installation.







At its core is the addition of the new Samsung LM301H EVO Mint White diode. The phosphor coated EVO diode shifts the previous blue peak from 450 nm to 435 nm. This moves part of the spectrum from red to blue which increases the overall white diode efficiency. This shorter wavelength plant-centric spectrum promotes higher physical and qualitative growth than normal white LEDs or combinations of blue & red LEDs. Plants grown under this plant-centric spectrum have bigger and thicker leaves and higher levels of nutrients.

**4.3K**  
BALANCED  
CRI:88



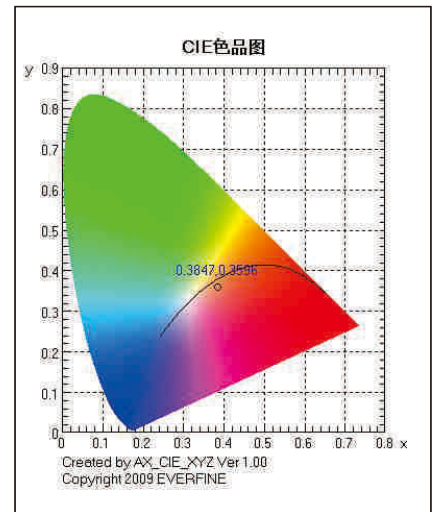
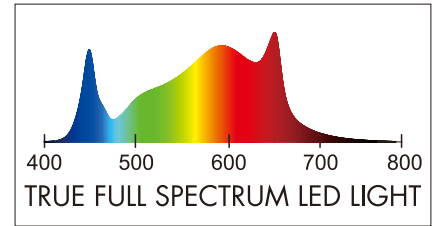
SPECTRUM TEST REPORT



**Plant Parameters:**

Flux (lm): 109906  
Spectral Radiance (W/nm): 371.8  
Flux(W): 363.5  
Efficiency: 0.5782  
**PPE: 2.8**  
Erb\_Ratio: 1.745  
Flux\_UV (W): 1.551  
PPF (400-500)(umol/s): 301.7  
PPF (600-700)(umol/s): 733.2  
Photon flux\_fr (umol/s): 41.17  
Flux (380-780) (W): 370.3  
Flux\_ch-A.t (J): 62.19  
Flux\_ch-B.t (J): 75.25  
Flux b.t (J): 78.57  
Flux y.t (J): 148  
Flux r.t (J): 137.1

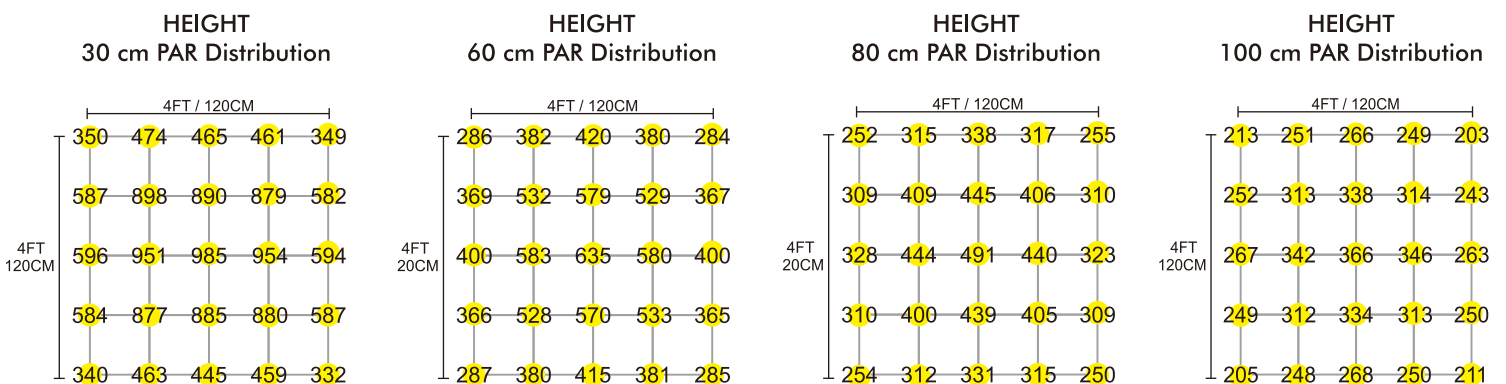
Qv (lm.s)109906  
Qe (J): 371.8  
Far-red flux (W): 6.789  
Effi-fr: 0.01079  
Kfr: 0.06549  
Flux\_b (W): 371.8  
**PPF (umol/s): 1760**  
PPF (500-600)(umol/s): 687.5  
PPF.t (umol/s): 1760  
Flux (400-700)(W): 363.5  
Flux\_ch-A (W): 62.19  
Flux\_ch-B (W): 75.25  
Flux b (W): 78.57  
Flux y (W): 148  
Flux r (W): 137.1



**Colour Parameters:**

Chromaticity Coordinate:  $x=0.3847$   $y=0.3596/u'=0.2351$   $v'=0.4944$   
CCT = 3741K (Duv=-0.0094) Dominant WL:Ld = 586.4 nm Purity + 23.4%  
Ratio: R=20.7% G=75.4% B=3.9% Peak WL: Lp=450.8 nm FWHM=19.5 nm  
Render Index: RA= 88  
Electric:V = 119.60 V I = 5.370 A P = 628.7 W PF = 1.000 Eff = 171.1 m/W

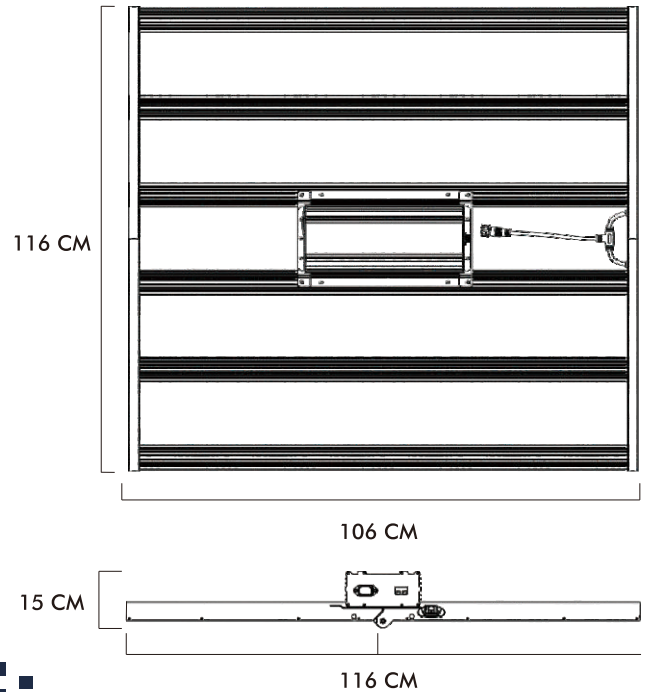
PAR DISTRIBUTION



## SPECIFICATIONS

Model:	630 W EVO Model S 6 Bar
Light Source:	2202 x Single Mount Diode/LED's
Input Voltage:	100 - 277V AC
Frequency Range:	50~60Hz
Power/Watts:	630 W
Amps	2.63 A
Net Weight:	16.5 kg
Light Beam Angle:	120 Degree
Body Case Material:	Die Cast/Pressed Aluminum
IP Grade:	IP45 (water resistant)
Size:	L-1160 mm x W-1060 mm x H-115 mm
Lifespan:	>50,000 Hours
Min Operating Temp:	-40°C
Max Operating Temp:	40°C
Warranty:	3 Year Warranty

## DIMENSIONS



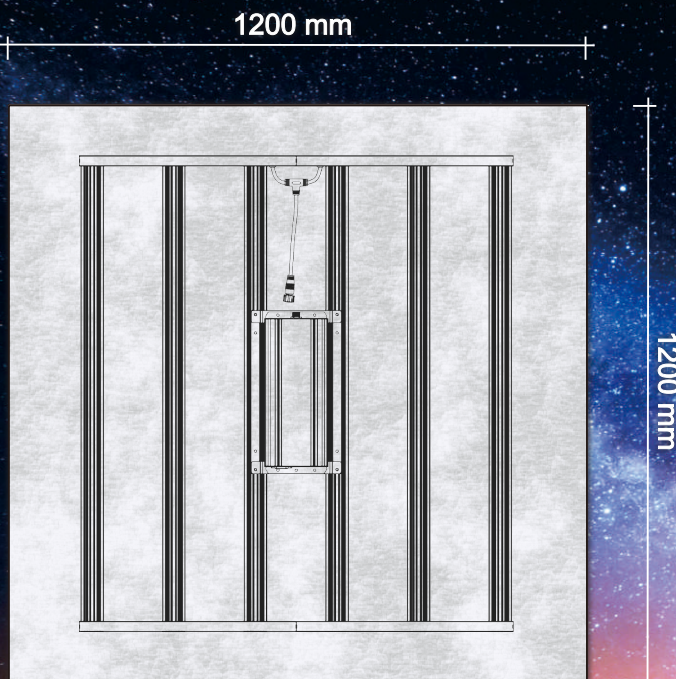
## VOLTAGE

VOLTAGE	240 V
AMPERAGE	2.63 A

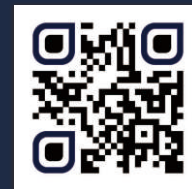
**PRO GROW**  
EVO-MODELS

**630 W - 6 BAR**  
1760  $\mu\text{mol/s}$

## MAXIMUM RECOMMENDED LIGHT COVERAGE



SCAN FOR MORE INFO



[www.progrow.net.au](http://www.progrow.net.au)