

PRATIC AVANT

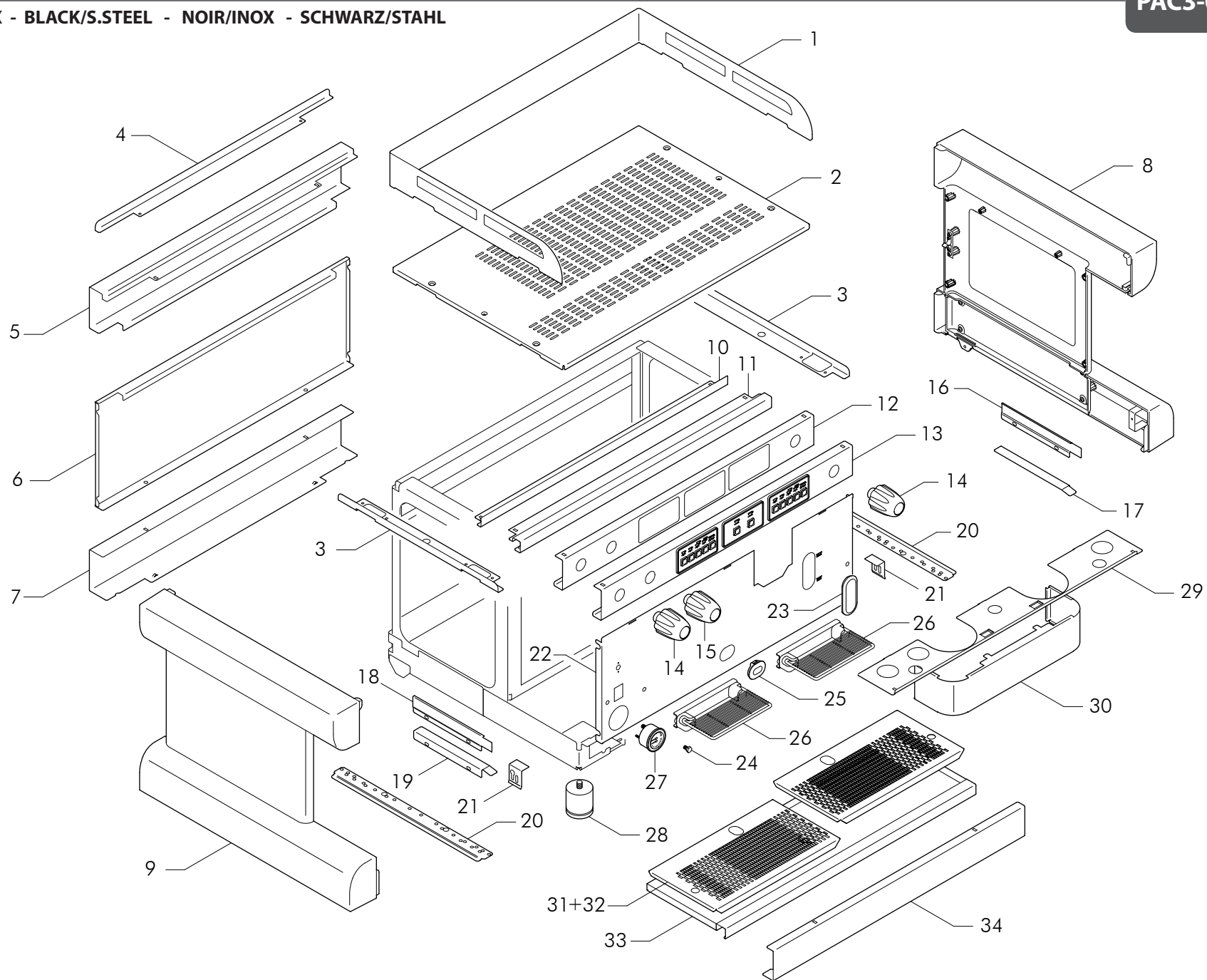
EXTRA CTS USA

Parti di ricambio - Spare parts - Pieces detachees - Ersatzteilekatalog

Code	Description	Page	Rev.	Date
	Carrozzeria - Body parts - Carosserie - Karosserie			
PAC3-01U	Nero/Inox - Black/S.Steel - Noir/Inox - Schwarz/Stahl	2	00	04/2015
PAC3-02U	Rosso/Inox - Red/S.Steel - Rouge/Inox - Rot/Stahl	4	00	04/2015
PAC3-03U	Bianco/Inox - White/S.Steel - Blanc/Inox - Weiss/Stahl	6	00	04/2015
PAC3-11U	Pulsantiera - Push buttons - Claviers - Bedienblenden	8	00	04/2015
	Lancia - Tube - Tuyau - Rohr			
PAC3-21U	Vapore - Steam - Vapeur - Dampf	10	00	04/2015
PAC3-22U	Acqua - Water - Eau - Wasser	12	00	04/2015
PAC3-31U	Gruppo - Group - Groupe - Gruppe	14	00	04/2015
PAC3-41U	Caldaia - Boiler - Chaudiere - Kessel	16	00	04/2015
PAC3-51U	Impianti idraulici - Hydraulic circuits - Circuits hydrauliques - Wasser anlage	18	00	04/2015
PAC3-61U	Impianti elettrici - Electrical systems - Circuits electriques - Strom anlage	21	00	04/2015
PAC3-81U	Incorporata - Built-in - Incorporé - Eingebaute	23	00	04/2015

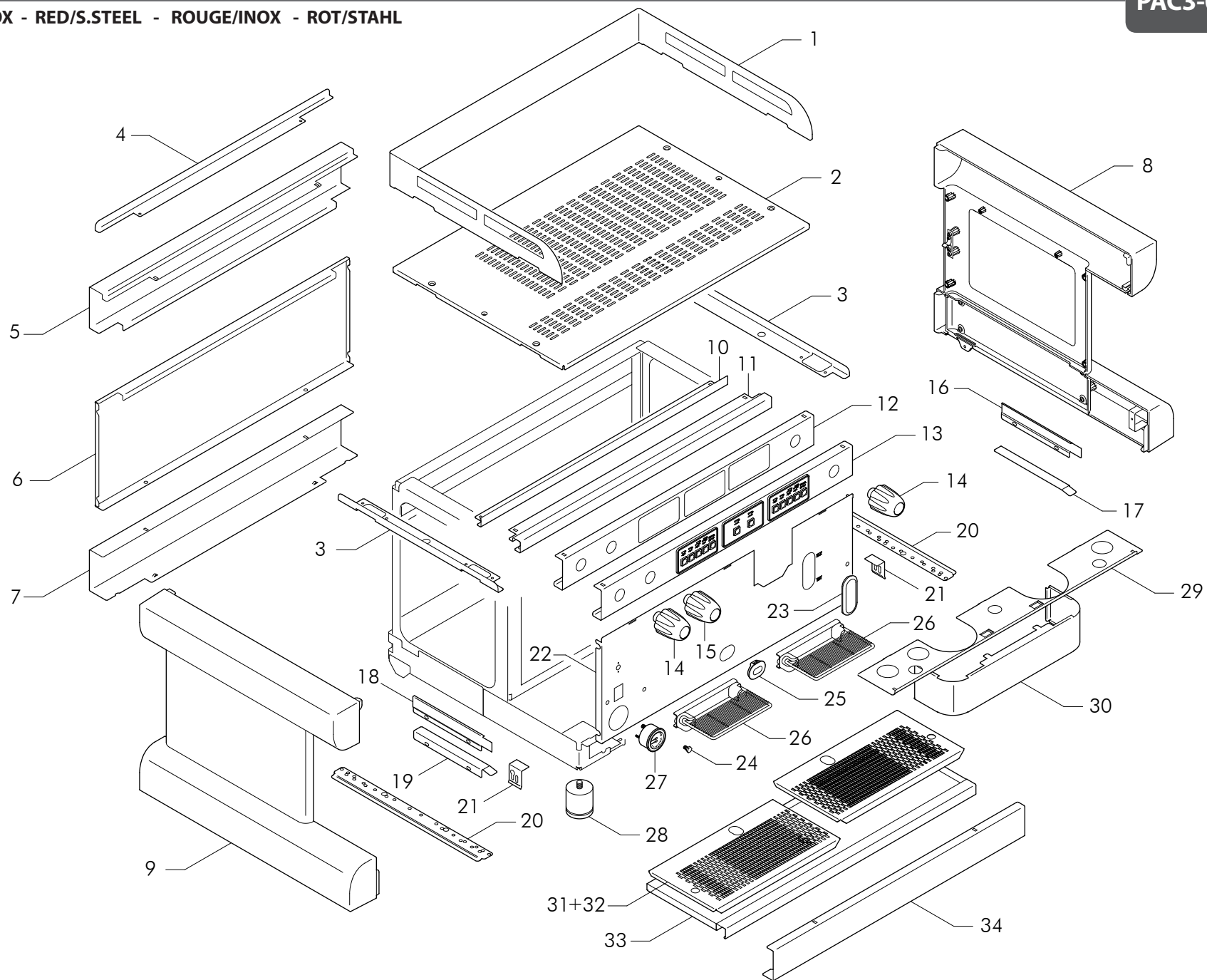
The logo for Astoria features the brand name in a bold, red, sans-serif font. The letter 'A' is stylized with a large, rounded loop that extends under the 's' and 't'. A registered trademark symbol (®) is located at the top right of the 'a'.

Think espresso.



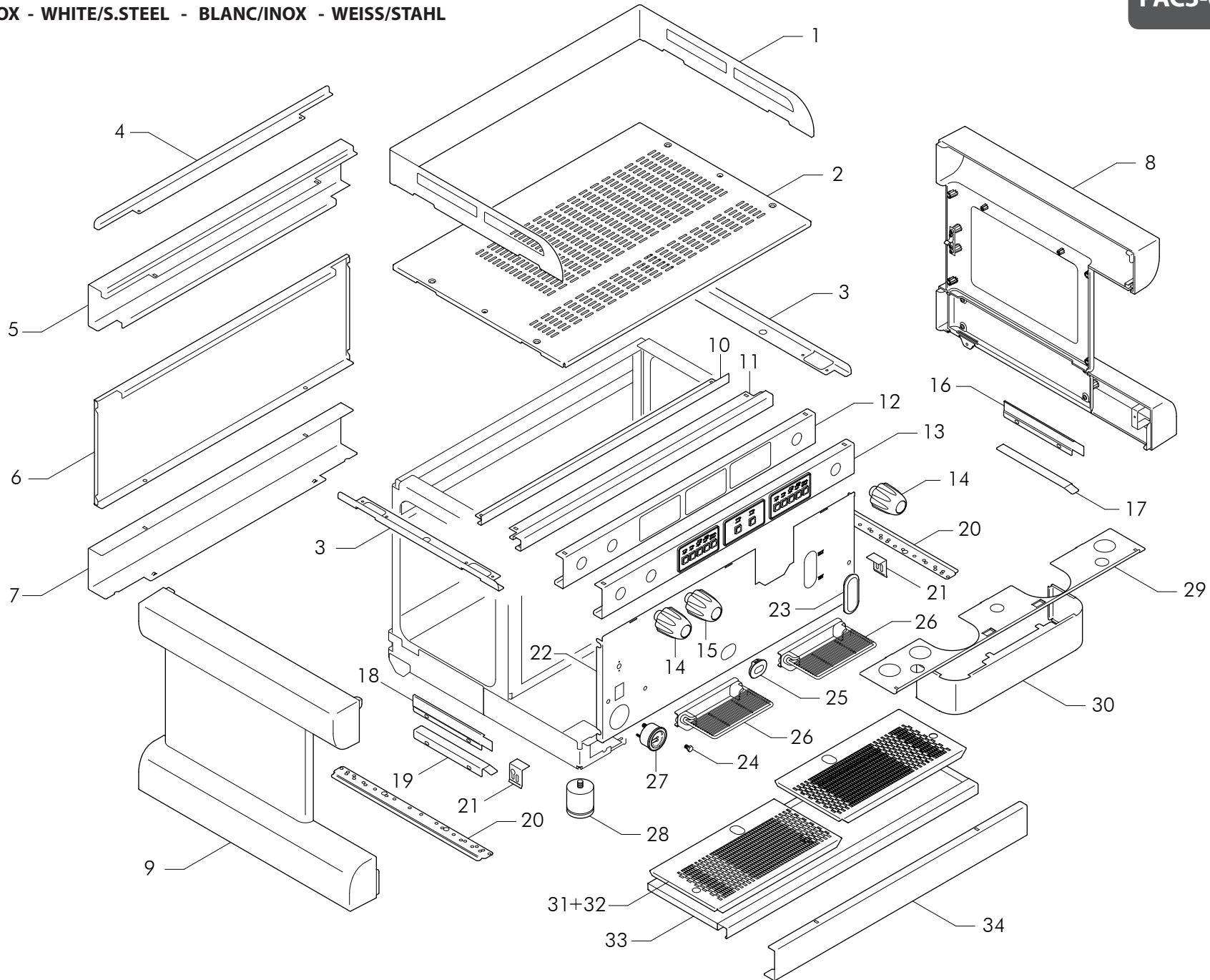
NERO/INOX - BLACK/S.STEEL - NOIR/INOX - SCHWARZ/STAHL

Pos	Code	Denominazione - IT -	Denomination - EN -	Denomination - FR -	Denomination - DE -
1	21162088	PLEXIGLASS 2GR	PLEXIGLASS 2GR	PLEXIGLASS 2GR	PLEXIGLASS 2GR
2	76100149	GRIGLIA SUPERIORE 2GR INOX	TOP GRATE 2GR S.STEEL	GRILLE SUP. 2GR INOX	OBERGITTER 2GR STAHL
3	77169110	PROFILO DESTRO-SINISTRO INOX	SURROUND RIGHT-LEFT S.STEEL	PROFILS DROIT-GAUCHE INOX	PROFIL RECHT-LINKE STAHL
4	77169108	PROFILO SUPERIORE POST. 2GR	BACK TOP SURROUND 2GR	PROFILS POST.SUP. 2GR	PROFIL OBEN HINTEN 2GR
5	75288693	PANNELLO POSTERIORE SUP. 2GR NERO	BACK TOP PANEL 2GR BLACK	PANNEAU POST.SUP. 2GR NOIR	TAFEL AUFBAU HINTEN OBEN 2GR SCHWARZ
6	75288688	PANNELLO POSTERIORE CENTR.2GR INOX	BACK CENTRAL PANEL 2GR S.STEEL	PANNEAU CENTRAL 2GR INOX	HINTERE MITTLERE TAFEL 2GR STAHL
7	77453899	PROFILO BASAMENTO POST.2GR NERO	REAR BASE SECTION 2GR BLACK	PROFIL BASE POST. 2GR NOIR	HINTER-GRUNDPROFIL 2GR SCHWARZ
8	56910380	FIANCO DESTRO NERO	RIGHT SIDE BLACK	COTE DROIT NOIR	RECHTE SEITE SCHWARZ
9	56910381	FIANCO SINISTRO NERO	LEFT SIDE BLACK	COTE GAUCHE NOIR	LINKS SEITE SCHWARZ
10	77169112	PROFILO 2GR INOX	SURROUND 2GR S.STEEL	PROFILS 2GR INOX	PROFIL 2GR STAHL
11	77169105	PROFILO SUPERIORE ANT. 2GR INOX	FRONT SURROUND TOP 2GR S.STEEL	PROFILS SUP.ANT. 2GR INOX	PROFIL OBEN 2GR STAHL
12	70847904	FRONTONE SAE/2 NERO	FRONT PANEL SAE/2 BLACK	PANNEAU FRONTAL SAE/2 NOIR	STIRNTAFEL SAE/2 SCHWARZ
13	56900604	FRONTONE ASSIEMATO SAE/2 NERO	ASSEMBLY FRONT PANEL SAE/2 BLACK	ENS.PANNEAU FRONTAL SAE/2 NOIR	STIRNTAFEL SAE/2 SCHWARZ
14	83150028R	KIT MANOPOLA VAPORE	STEAM TAP KNOB	POIGNEE ROBINET VAPEUR	DAMPFHAHGRIF
15	83150029R	KIT MANOPOLA ACQUA	WATER TAP KNOB	POIGNEE ROBINET EAU	WASSERHAHGRIF
16	77742002	GUIDA DESTRA TELAIO BACINELLA	RIGHT TRAY GUIDE	GUIDEE DROITE BAC POUR CHASSIS	SCHIENE RECHTS BECKEN RAHMEN
17	77742024	GUIDA BACINELLA DESTRA	RIGHT TRAY GUIDE	GUIDEE DROITE BAC POUR CHASSIS	SCHIENE RECHTS BECKEN RAHMEN
18	77742006	GUIDA SINISTRA TELAIO BACINELLA	LEFT TRAY GUIDE	GUIDEE GAUCHE BAC POUR CHASSIS	SCHIENE LINKS BECKEN RAHMEN
19	77742025	GUIDA BACINELLA SINISTRA	LEFT TRAY GUIDE	GUIDEE GAUCHE BAC POUR CHASSIS	SCHIENE LINKS BECKEN RAHMEN
20	77607020	SUPPORTO DESTRO-SINISTRO FIANCO	RIGHT-LEFT SUPPORT	SUPPORT DROIT-GAUCHE	RECHTS/LINKS HALTER
21	77692016	PIASTRINA FISSAGGIO FIANCO	FIXING PLATE	PLAQUE DE FIXATION	BEFESTIGUNGSPLATTE
22	77849052	COPRICALDAIA 2GR CTS INOX	BOILER COVER 2GR CTS S.STEEL	COUVRE-CHAUDIERE 2GR CTS INOX	KESSELDECKEL 2GR CTS STAHL
23	21202	SEGNALIVELLO	LEVEL INDICATOR	SIGNAL NIVEAU	FARBLOSER NIVEAUANZEIGER
24	23420001	VITE TE BOMBATA M6x12 OT/Ni	M6x12NICKEL-PLATED BRASS HEX.HEAD SCREW	VIS TH LAITON M6x12 NICKEE	SECHSKANTSCHRAUBE AUS MESSING M6x12
25	15373070	TAPPO ABS CROMATO FORO GAS	CHROMED CAP	BOUCHON CHROME COUVRE-TROU DU GAZ	CHROM CAP
26	76149093	GRIGLIA RIALZO TAZZE FILO SALDATO	CUPS-STAND FOR RAISED GROUP	GRILLE POUR GROUPES REHAISSES	GITTER FUER HOHE GRUPPE
27	4621112	MANOMETRO TONDO DOPPIA SCALA	PRESSURE GAUGE	MANOMETRE	MANOMETER
28	15318	PIEDINO REGOLABILE INOX/SAT H55/69	ADJUSTABLE FOOT H55/69	PIED REGLABLE H55/69	REGELBARER FUSS H55/69
29	77691845	COPRIMPIANTO 2GR	CABLE-COVER 2GR	COUVRE-CABLAGE 2GR	VERDRAHTUNHDECKEL 2GR
30	77691854	PROTEZIONE GRUPPI 2GR	PROTECTION GROUP 2GR	PROTECTION GROUPE 2GR	GRUPPEN SCHUTZ 2GR
31	76154000	GRIGLIA INF.DESTRA INOX LUC.338.5x201	RIGHT LOWER GRILL -SHINY S.STEEL	GRILLE INF.DROIT INOX 338,5x201	STAHL-UNTER-RECHTEGITTER 338,5x201
32	76155000	GRIGLIA INF.SINISTRA INOX LUC.338.5x201	LEFT LOWER GRILL - SHINY S.STEEL	GRILLE INF.GAUCHE INOX 338,5x201	STAHL-UNTER-LINKEGITTER 338,5x201
33	76098124	BACINELLA 2GR INOX	TRAY 2GR S.STEEL	BASSINELLE 2GR INOX	STAHLSCHALE 2GR
34	77453896	PROFILO BASAMENTO ANT.2GR NERO	BASE SURROUND 2GR BLACK	PROFILS BASE 2GR NOIR	GRUNDPROFIL 2GR SCHWARZ



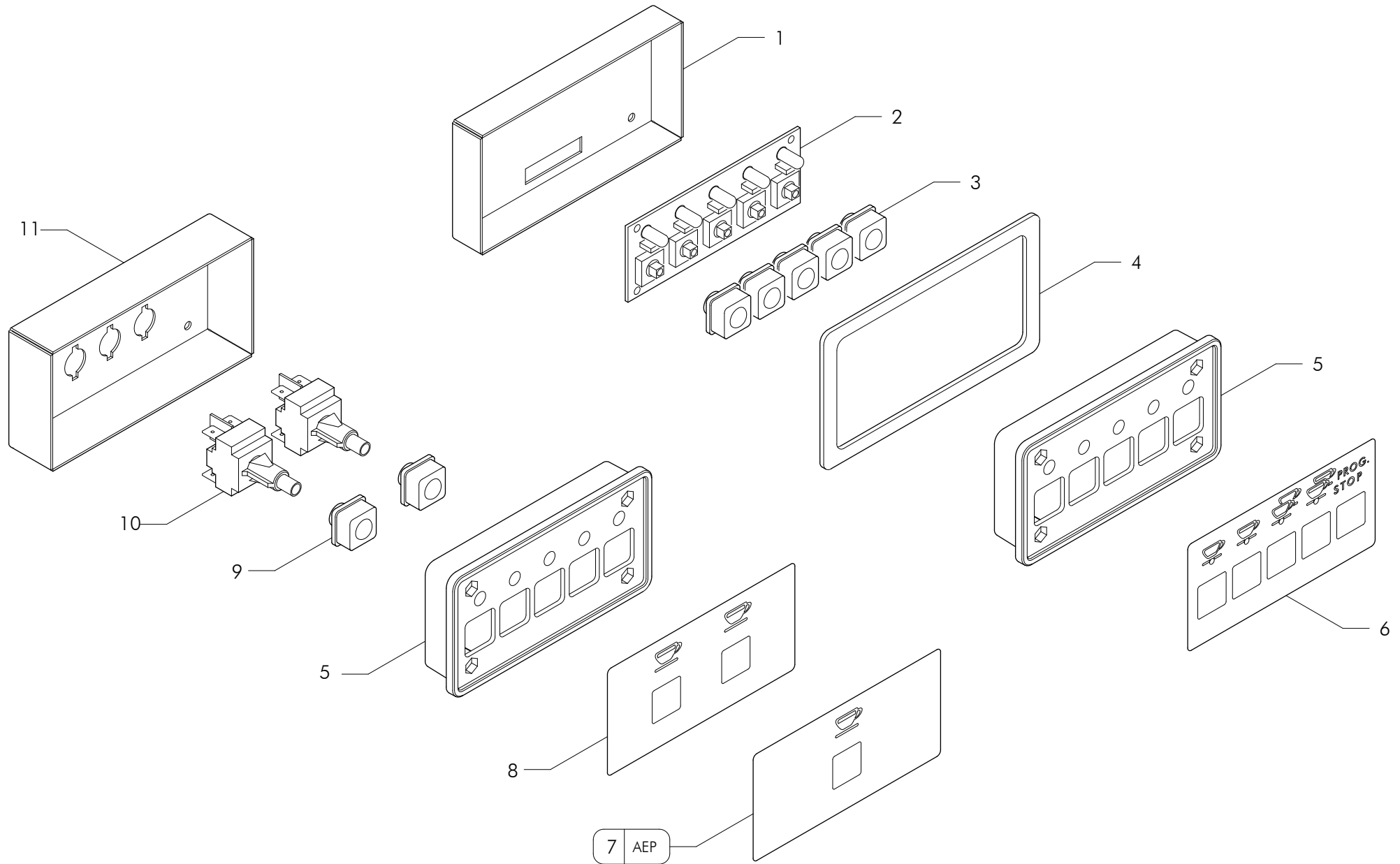
ROSSO/INOX - RED/S.STEEL - ROUGE/INOX - ROT/STAHL

Pos	Code	Denominazione - IT -	Denomination - EN -	Denomination - FR -	Denomination - DE -
1	21162088	PLEXIGLASS 2GR	PLEXIGLASS 2GR	PLEXIGLASS 2GR	PLEXIGLASS 2GR
2	76100149	GRIGLIA SUPERIORE 2GR INOX	TOP GRATE 2GR S.STEEL	GRILLE SUP. 2GR INOX	OBERGITTER 2GR STAHL
3	77169110	PROFILO DESTRO-SINISTRO INOX	SURROUND RIGHT-LEFT S.STEEL	PROFILS DROIT-GAUCHE INOX	PROFIL RECHT-LINKE STAHL
4	77169108	PROFILO SUPERIORE POST. 2GR	BACK TOP SURROUND 2GR	PROFILS POST.SUP. 2GR	PROFIL OBEN HINTEN 2GR
5	75288709	PANNELLO POSTERIORE SUP. 2GR ROSSO	BACK TOP PANEL 2GR RED	PANNEAU POST.SUP. 2GR ROUGE	TAFEL AUFBAU HINTEN OBEN 2GR ROT
6	75288688	PANNELLO POSTERIORE CENTR.2GR INOX	BACK CENTRAL PANEL 2GR S.STEEL	PANNEAU CENTRAL 2GR INOX	HINTERE MITTLERE TAFEL 2GR STAHL
7	77453923	PROFILO BASAMENTO POST.2GR ROSSO	REAR BASE SECTION 2GR RED	PROFIL BASE POST. 2GR ROUGE	HINTER-GRUNDPROFIL 2GR ROT
8	56910394	FIANCO DESTRO ROSSO	RIGHT SIDE RED	COTE DROIT ROUGE	RECHTE SEITE ROT
9	56910395	FIANCO SINISTRO ROSSO	LEFT SIDE RED	COTE GAUCHE ROUGE	LINKS SEITE ROT
10	77169112	PROFILO 2GR INOX	SURROUND 2GR S.STEEL	PROFILS 2GR INOX	PROFIL 2GR STAHL
11	77169105	PROFILO SUPERIORE ANT. 2GR INOX	FRONT SURROUND TOP 2GR S.STEEL	PROFILS SUP.ANT. 2GR INOX	PROFIL OBEN 2GR STAHL
12	70847940	FRONTONE SAE/2 ROSSO	FRONT PANEL SAE/2 RED	PANNEAU FRONTAL SAE/2 ROUGE	STIRNTAFEL SAE/2 ROT
13	56900629	FRONTONE ASSIEMATO SAE/2 ROSSO	ASSEMBLY FRONT PANEL SAE/2 RED	ENS.PANNEAU FRONTAL SAE/2 ROUGE	STIRNTAFEL SAE/2 ROT
14	83150028R	KIT MANOPOLA VAPORE	STEAM TAP KNOB	POIGNEE ROBINET VAPEUR	DAMPFHAHGRIF
15	83150029R	KIT MANOPOLA ACQUA	WATER TAP KNOB	POIGNEE ROBINET EAU	WASSERHAHGRIF
16	77742002	GUIDA DESTRA TELAIO BACINELLA	RIGHT TRAY GUIDE	GUIDEE DROITE BAC POUR CHASSIS	SCHIENE RECHTS BECKEN RAHMEN
17	77742024	GUIDA BACINELLA DESTRA	RIGHT TRAY GUIDE	GUIDEE DROITE BAC POUR CHASSIS	SCHIENE RECHTS BECKEN RAHMEN
18	77742006	GUIDA SINISTRA TELAIO BACINELLA	LEFT TRAY GUIDE	GUIDEE GAUCHE BAC POUR CHASSIS	SCHIENE LINKS BECKEN RAHMEN
19	77742025	GUIDA BACINELLA SINISTRA	LEFT TRAY GUIDE	GUIDEE GAUCHE BAC POUR CHASSIS	SCHIENE LINKS BECKEN RAHMEN
20	77607020	SUPPORTO DESTRO-SINISTRO FIANCO	RIGHT-LEFT SUPPORT	SUPPORT DROIT-GAUCHE	RECHTS/LINKS HALTER
21	77692016	PIASTRINA FISSAGGIO FIANCO	FIXING PLATE	PLAQUE DE FIXATION	BEFESTIGUNGSPLATTE
22	77849052	COPRICALDAIA 2GR CTS INOX	BOILER COVER 2GR CTS S.STEEL	COUVRE-CHAUDIERE 2GR CTS INOX	KESSELDECKEL 2GR CTS STAHL
23	21202	SEGNALIVELLO	LEVEL INDICATOR	SIGNAL NIVEAU	FARBLOSER NIVEAUANZEIGER
24	23420001	VITE TE BOMBATA M6x12 OT/Ni	M6x12NICKEL-PLATED BRASS HEX.HEAD SCREW	VIS TH LAITON M6x12 NICKEL	SECHSKANTSCHRAUBE AUS MESSING M6x12
25	15373070	TAPPO ABS CROMATO FORO GAS	CHROMED CAP	BOUCHON CHROME COUVRE-TROU DU GAZ	CHROM CAP
26	76149093	GRIGLIA RIALZO TAZZE FILO SALDATO	CUPS-STAND FOR RAISED GROUP	GRILLE POUR GROUPES REHAISSES	GITTER FUER HOHE GRUPPE
27	4621112	MANOMETRO TONDO DOPPIA SCALA	PRESSURE GAUGE	MANOMETRE	MANOMETER
28	15318	PIEDINO REGOLABILE INOX/SAT H55/69	ADJUSTABLE FOOT H55/69	PIED REGLABLE H55/69	REGELBARER FUSS H55/69
29	77691845	COPRIMPIANTO 2GR	CABLE-COVER 2GR	COUVRE-CABLAGE 2GR	VERDRAHTUNHDECKEL 2GR
30	77691854	PROTEZIONE GRUPPI 2GR	PROTECTION GROUP 2GR	PROTECTION GROUPE 2GR	GRUPPEN SCHUTZ 2GR
31	76154000	GRIGLIA INF.DESTRA INOX LUC.338.5x201	RIGHT LOWER GRILL -SHINY S.STEEL	GRILLE INF.DROIT INOX 338,5x201	STAHL-UNTER-RECHTEGITTER 338,5x201
32	76155000	GRIGLIA INF.SINISTRA INOX LUC.338.5x201	LEFT LOWER GRILL - SHINY S.STEEL	GRILLE INF.GAUCHE INOX 338,5x201	STAHL-UNTER-LINKEGITTER 338,5x201
33	76098124	BACINELLA 2GR INOX	TRAY 2GR S.STEEL	BASSINELLE 2GR INOX	STAHLSCHALE 2GR
34	77453920	PROFILO BASAMENTO ANT.2GR ROSSO	BASE SURROUND 2GR RED	PROFILS BASE 2GR ROUGE	GRUNDPROFIL 2GR ROT

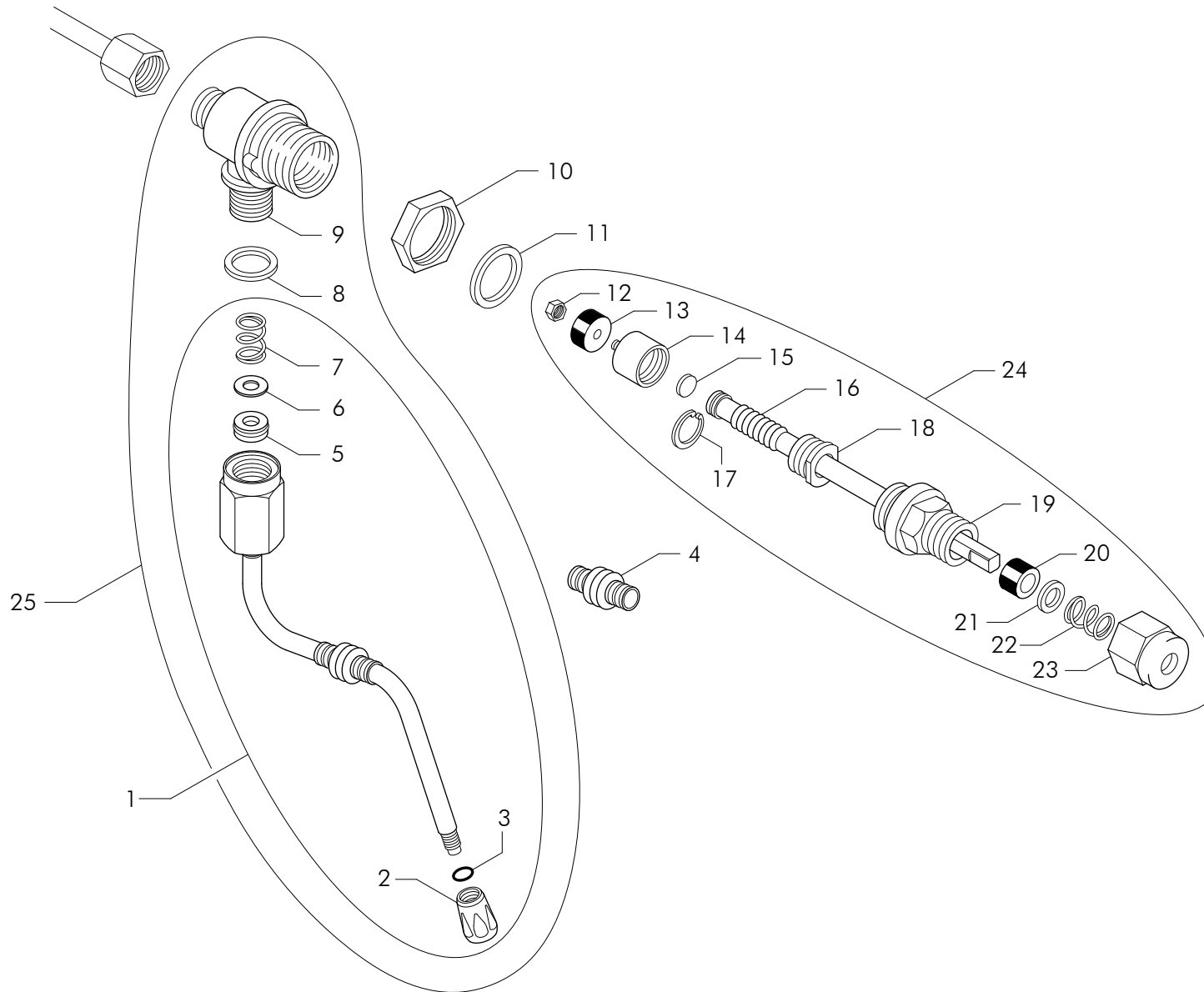


BIANCO/INOX - WHITE/S.STEEL - BLANC/INOX - WEISS/STAHL

Pos	Code	Denominazione - IT -	Denomination - EN -	Denomination - FR -	Denomination - DE -
1	21162088	PLEXIGLASS 2GR	PLEXIGLASS 2GR	PLEXIGLASS 2GR	PLEXIGLASS 2GR
2	76100149	GRIGLIA SUPERIORE 2GR INOX	TOP GRATE 2GR S.STEEL	GRILLE SUP. 2GR INOX	OBERGITTER 2GR STAHL
3	77169110	PROFILO DESTRO-SINISTRO INOX	SURROUND RIGHT-LEFT S.STEEL	PROFILS DROIT-GAUCHE INOX	PROFIL RECHT-LINKE STAHL
4	77169108	PROFILO SUPERIORE POST. 2GR	BACK TOP SURROUND 2GR	PROFILS POST.SUP. 2GR	PROFIL OBEN HINTEN 2GR
5	75288697	PANNELLO POSTERIORE SUP. 2GR BIANCO	BACK TOP PANEL 2GR WHITE	PANNEAU POST.SUP. 2GR BLANC	TAFEL AUFBAU HINTEN OBEN 2GR WEISS
6	75288688	PANNELLO POSTERIORE CENTR.2GR INOX	BACK CENTRAL PANEL 2GR S.STEEL	PANNEAU CENTRAL 2GR INOX	HINTERE MITTLERE TAFEL 2GR STAHL
7	77453905	PROFILO BASAMENTO POST.2GR BIANCO	REAR BASE SECTION 2GR WHITE	PROFIL BASE POST. 2GR BLANC	HINTER-GRUNDPROFIL 2GR WEISS
8	56910390	FIANCO DESTRO BIANCO	RIGHT SIDE WHITE	COTE DROIT BLANC	RECHTE SEITE WEISS
9	56910391	FIANCO SINISTRO BIANCO	LEFT SIDE WHITE	COTE GAUCHE BLANC	LINKS SEITE WEISS
10	77169112	PROFILO 2GR INOX	SURROUND 2GR S.STEEL	PROFILS 2GR INOX	PROFIL 2GR STAHL
11	77169105	PROFILO SUPERIORE ANT. 2GR INOX	FRONT SURROUND TOP 2GR S.STEEL	PROFILS SUP.ANT. 2GR INOX	PROFIL OBEN 2GR STAHL
12	70847913	FRONTONE SAE/2 BIANCO	FRONT PANEL SAE/2 WHITE	PANNEAU FRONTAL SAE/2 BLANC	STIRNTAFEL SAE/2 WEISS
13	56900611	FRONTONE ASSIEMATO SAE/2 BIANCO	ASSEMBLY FRONT PANEL SAE/2 WHITE	ENS.PANNEAU FRONTAL SAE/2 BLANC	STIRNTAFEL SAE/2 WEISS
14	83150028R	KIT MANOPOLA VAPORE	STEAM TAP KNOB	POIGNEE ROBINET VAPEUR	DAMPFHAHGRIF
15	83150029R	KIT MANOPOLA ACQUA	WATER TAP KNOB	POIGNEE ROBINET EAU	WASSERHAHGRIF
16	77742002	GUIDA DESTRA TELAIO BACINELLA	RIGHT TRAY GUIDE	GUIDEE DROITE BAC POUR CHASSIS	SCHIENE RECHTS BECKEN RAHMEN
17	77742024	GUIDA BACINELLA DESTRA	RIGHT TRAY GUIDE	GUIDEE DROITE BAC POUR CHASSIS	SCHIENE RECHTS BECKEN RAHMEN
18	77742006	GUIDA SINISTRA TELAIO BACINELLA	LEFT TRAY GUIDE	GUIDEE GAUCHE BAC POUR CHASSIS	SCHIENE LINKS BECKEN RAHMEN
19	77742025	GUIDA BACINELLA SINISTRA	LEFT TRAY GUIDE	GUIDEE GAUCHE BAC POUR CHASSIS	SCHIENE LINKS BECKEN RAHMEN
20	77607020	SUPPORTO DESTRO-SINISTRO FIANCO	RIGHT-LEFT SUPPORT	SUPPORT DROIT-GAUCHE	RECHTS/LINKS HALTER
21	77692016	PIASTRINA FISSAGGIO FIANCO	FIXING PLATE	PLAQUE DE FIXATION	BEFESTIGUNGSPLATTE
22	77849052	COPRICALDAIA 2GR CTS INOX	BOILER COVER 2GR CTS S.STEEL	COUVRE-CHAUDIERE 2GR CTS INOX	KESSELDECKEL 2GR CTS STAHL
23	21202	SEGNALIVELLO	LEVEL INDICATOR	SIGNAL NIVEAU	FARBLOSER NIVEAUANZEIGER
24	23420001	VITE TE BOMBATA M6x12 OT/Ni	M6x12NICKEL-PLATED BRASS HEX.HEAD SCREW	VIS TH LAITON M6x12 NICKEL	SECHSKANTSCHRAUBE AUS MESSING M6x12
25	15373070	TAPPO ABS CROMATO FORO GAS	CHROMED CAP	BOUCHON CHROME COUVRE-TROU DU GAZ	CHROM CAP
26	76149093	GRIGLIA RIALZO TAZZE FILO SALDATO	CUPS-STAND FOR RAISED GROUP	GRILLE POUR GROUPES REHAISSES	GITTER FUER HOHE GRUPPE
27	4621112	MANOMETRO TONDO DOPPIA SCALA	PRESSURE GAUGE	MANOMETRE	MANOMETER
28	15318	PIEDINO REGOLABILE INOX/SAT H55/69	ADJUSTABLE FOOT H55/69	PIED REGLABLE H55/69	REGELBARER FUSS H55/69
29	77691845	COPRIMPIANTO 2GR	CABLE-COVER 2GR	COUVRE-CABLAGE 2GR	VERDRAHTUNHDECKEL 2GR
30	77691854	PROTEZIONE GRUPPI 2GR	PROTECTION GROUP 2GR	PROTECTION GROUPE 2GR	GRUPPEN SCHUTZ 2GR
31	76154000	GRIGLIA INF.DESTRA INOX LUC.338.5x201	RIGHT LOWER GRILL -SHINY S.STEEL	GRILLE INF.DROIT INOX 338,5x201	STAHL-UNTER-RECHTEGITTER 338,5x201
32	76155000	GRIGLIA INF.SINISTRA INOX LUC.338.5x201	LEFT LOWER GRILL - SHINY S.STEEL	GRILLE INF.GAUCHE INOX 338,5x201	STAHL-UNTER-LINKEGITTER 338,5x201
33	76098124	BACINELLA 2GR INOX	TRAY 2GR S.STEEL	BASSINELLE 2GR INOX	STAHLSCHALE 2GR
34	77453922	PROFILO BASAMENTO POST.1GR ROSSO	REAR BASE SECTION 1GR RED	PROFIL BASE POST. 1GR ROUGE	HINTER-GRUNDPROFIL 1GR ROT

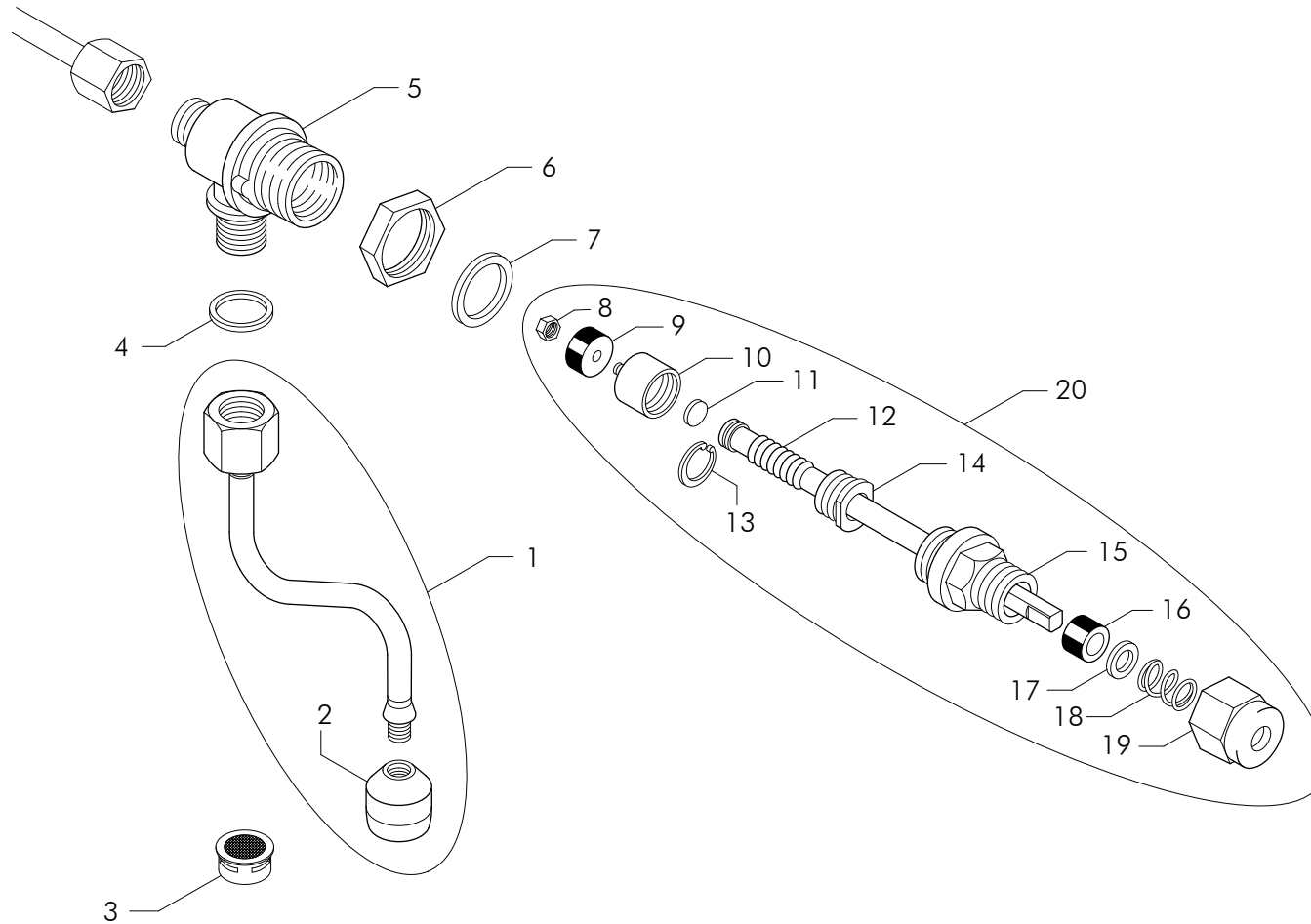


Pos	Code	Denominazione - IT -	Denomination - EN -	Denomination - FR -	Denomination - DE -
1	15373120	SCATOLA POSTERIORE PULSANTIERA	BOX PUSH BUTTON	BOITIER CLAVIER	GEHAUSE F.TASTENWAHLSCHALTER
2	18371131	CIRCUITO STAMPATO PULSANTIERA 5T	PRINTED CIRCUIT PUSH BUTTON 5T	CIRCUIT IMPRIME CLAVIER 5T	GEDRUCKTER SCHALTKREIS TASTATUREN 5T
3	15373075	TASTO PULSANTIERE CROMATO	CHROMED KEY	TOUCHE CHROMEE	CHROM TASTE
4	15183000	EPDM ESPANSO PROTEZIONE	EPDM PROTECTION	EPDM PROTECTION CLAVIER	EPDM SCHUTZ
5	15373124	SUPPORTO CROMATO PULSANTIERA	CHROMED SUPPORT PUSH BUTTON	SUPPORT CHROME CLAVIER	TASTATUREN SUPPORT CHROM
6	29169230	ETICHETTA ADESIVA PULSANTIERA SAE	ADHESIVE LABEL PUSH BUTTON SAE	ETIQUETTE ADHESIVE CLAVIER SAE	KLEBEETIKETT TASTATUREN SAE
7	29169231	ETICHETTA ADESIVA PULSANTIERA AEP	ADHESIVE LABEL PUSH BUTTON AEP	ETIQUETTE ADHESIVE CLAVIER AEP	KLEBEETIKETT TASTATUREN AEP
8	29169232	ETICHETTA ADESIVA PULSANTIERA 2 TASTI	ADHESIVE LABEL 2 KEY	ETIQUETTE ADHESIVE 2 TOUCHEES	KLEBEETIKETT 2 TASTE
9	15373076	TASTO PULSANTIERE CROMATO	CHROMED KEY	TOUCHE CHROMEE	CHROM TASTE
10	18371057	INTERRUTTORE BIPOLARE	TWO POLE SWITCH	INTERRUPTEUR BIPOLAIRE	ZWEIPOLIGER SCHALTER
11	77685085	PROTEZIONE POSTERIORE TASTI	BOX KEYS	BOITIER TOUCHEES	GEHAUSE F.TASTENWAHLSCHALTER



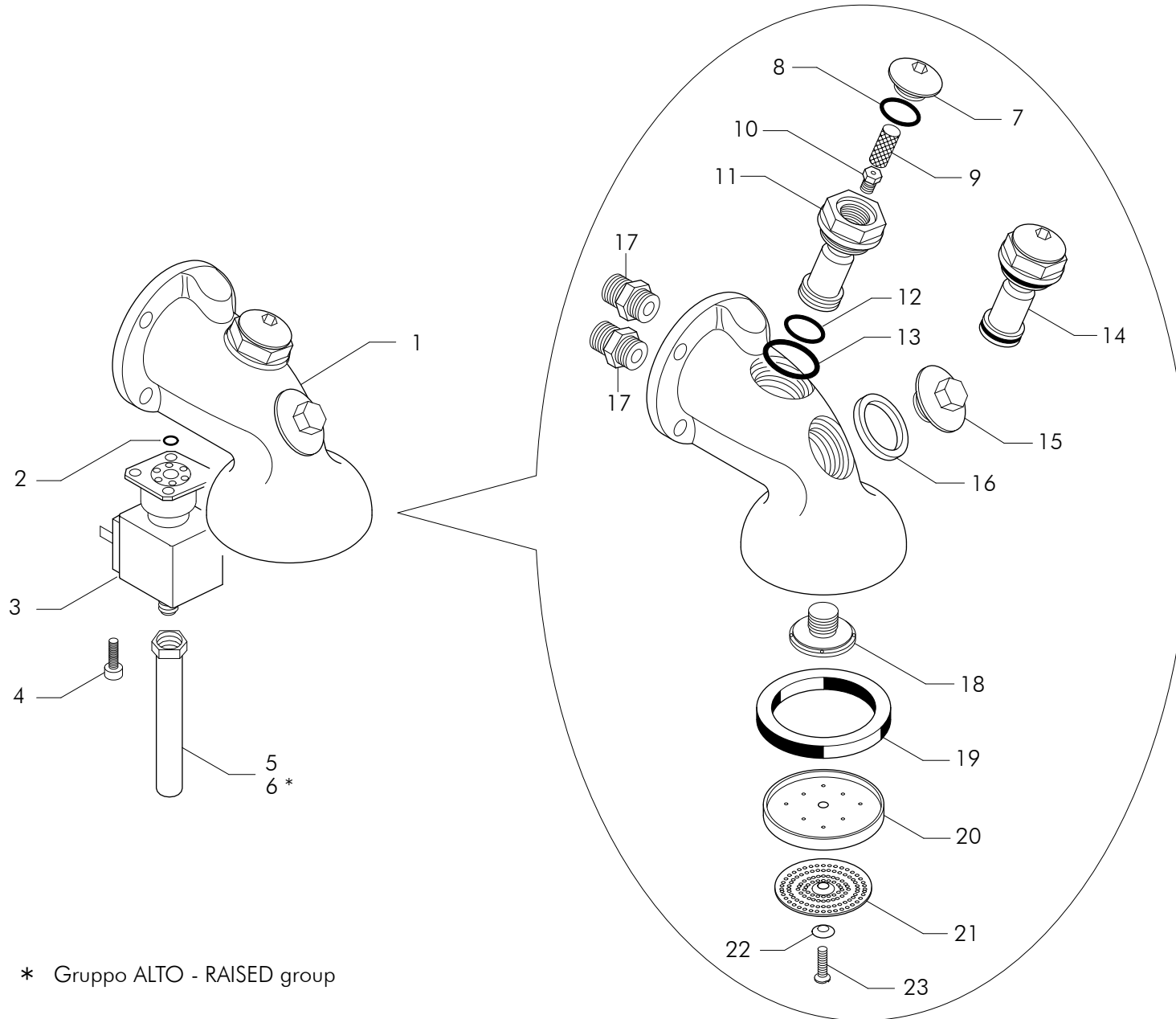
VAPORE - STEAM - VAPEUR - DAMPF

Pos	Code	Denominazione - IT -	Denomination - EN -	Denomination - FR -	Denomination - DE -
1	25763063	TUBO VAPORE INOX 6x8 L300	TUBE STEAM 6x8 L.300	TUYAU VAPEUR 6x8 L.300	ROHR DAMPF 6x8 L.300
2	25763080	SPRUZZATORE VAPORE 4 FORI TUBO D.8	STEEL STEAM SPRAYER	VAPORISATEUR INOX	STAHLDAMPFER
3	12662000	GUARNIZIONE SPRUZZATORE	GASKET OR	JOINT OR	DICHTUNG OR
4	15296000	GOMMINO ANTISCOTTATURA D-8	ANTI-BURNING RUBBER D-8	ELEMENT ANTI-BRULURE D-8	GUMMI GEGEN VERBRENNUNGEN F. D-8
5	12661	GUARNIZIONE OR CON LUNETTA P.MOLLA	OR REST FOR ST.STEEL STEAM PIPE	OR LUNETTE P.RESSORT TUYAU VAP. INOX	HALBE OR-DICHT.F.FEDER DAMPFROHR ED
6	23260018	RONDELLA ELASTICA D-14,2 Sp.1	WASHER D-14,2	RONDELLE D-14,2	SCHEIBE D-14,2
7	10465001	MOLLA De 11,4 Df1,7 AISI 302	STEAM SPRING S.STEEL	RESSORT AISI	DAMPF HAHNFEDEN STAHL
8	12010	GUARNIZIONE TEFLON ACQUA/VAPORE 20x17x2	PIPE GASKET TEFLON 20x17x2	JOINT TUYAU TEFLON EAU/VAP TEFLON	TEFLON-DICHTUNG WASSER/VAP 20x17x2
9	4653003	CORPO RUBINETTO CW510L	TAP BODY CW510L	CORPS DE ROBINET CW510L	HAHNKORPER CW510L
10	25384	DADO OTTONE M26x1.5	BRASS NUT 26X1.5	ECROU LAITON 26X1.5	MESSING-MUTTER 26X1.5
11	12158	GUARNIZIONE 26x20.5x2	GASKET 26x20.5x2	JOINT 26x20.5x2	DICHTUNG 26x20.5x2
12	23029	DADO INOX M3 UNI 5587 A2	STEEL NUT M3	ECROU INOX M3	STHAL MUTTER M3
13	12203	GUARNIZIONE HNBR 15x4x4	RUBBER GASKET 15x4x4	JOINT EN CAOUTCHOUC 15X4X4	GUMMIDICHTUNG 15x4x4
14	4625616	PISTONCINO RUBINETTO	TAP JUMPER	PISTON ROBINET	HAHNKOLBEN
15	25655052	DISCHETTO ASTA RUBINETTO	DISKETTE TAP ROS	DISQUETTE TIGE ROBINET	DISKETTE
16	4625312	ASTA RUBINETTO CROMATA L139 CW510L/Cr	CHROMED TAP SHAFT	TIGE ROBINET CHROME	HAHNSTANGE CHROM
17	10001	ANELLO ARRESTO D6 INOX	STEEL CIRCLIP	CIRCLIP INOX	STAHLHALTENRING
18	4625461	GHIERA RUBINETTO CW510L	TAP RING NUT CW510L	EMBOUT ROBINET CW510L	HAHNZWINGE CW510L
19	4625678001	RACCORDO RUBINETTO CW510L	TAP FITTING CW510L	RACCORD ROBINET CW510L	HAHNANSCHLUSSTUCK CW510L
20	12204	GUARNIZIONE GOMMA RUBINETTO 12.5x7.5x9	TAP RUBBER GASKET 12.5x7.5x9	JOINT CAOUTCHOUC ROB. 12.5X7.5X9	HAHNDICHTUNG 12.5x7.5x9
21	4625655	RONDELLA RUBINETTO CW510L	TAP WASHER	RONDELLE ROBINET	HAHNSCHEIBE
22	10452	MOLLA RUBINETTO ACQUA/VAPORE N4	WATER/STEAM TAP SPRING N4	RESSORT DE ROBINET EAU-VAPEUR N4	WASSER/DAMPF HAHNFEDER N4
23	4625385001	DADO PREMISTOPPA RUBINETTO + RONDE	TAP STUFFING NUT	ECROU DE PRESSE-ETOUPE ROBINET	STOPFBUCHSE MUTTER - HAHN
24	46561041	ASSIEME RUBINETTO ACQUA/VAPORE	WATER/STEAM TAP UNIT	ENSEMBLE ROBINET EAU/VAPEUR	WASSER/DAMPF ROHRSATZ
25	4625763338	ASSIEME TUBO VAPORE INOX 6x8 + CORPO	STEAM TUBE 6X8 S.STEEL + TAP BODY	TUYAU VAPEUR 6X8 INOX + CORPS	DAMPF ROHR STAHL + KORPER



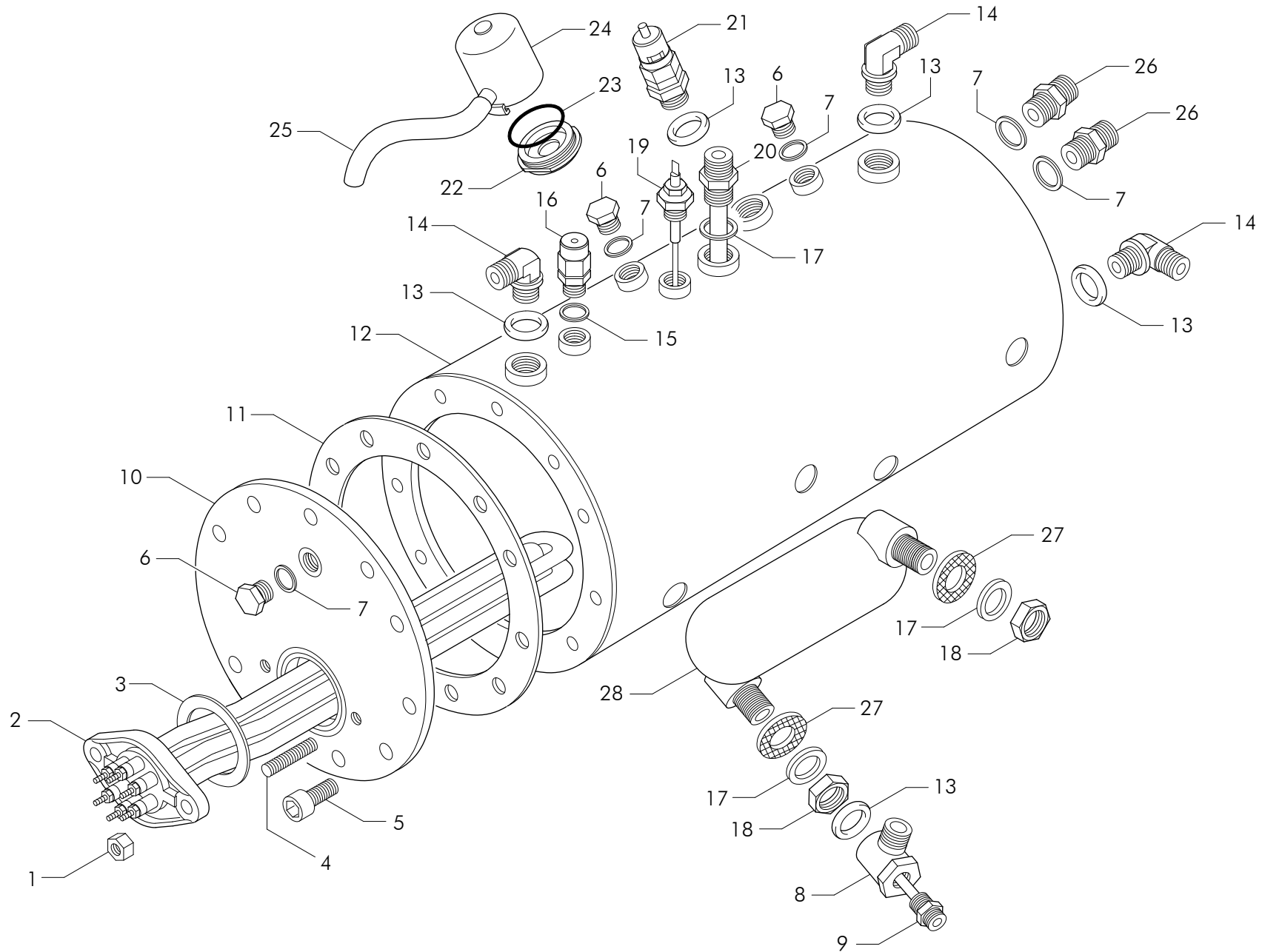
ACQUA - WATER - EAU - WASSER

Pos	Code	Denominazione - IT -	Denomination - EN -	Denomination - FR -	Denomination - DE -
1	4656119183	TUBO ACQUA FISSA	WATER TUBE	TUYAU EAU	WASSER ROHR
2	25763142	SPRUZZATORE ACQUA INOX	EXTERNAL WATER NOZZLE	ATOMISEUR D'EAU EXTERIEUR	WASSERDUSE CHROM DAMPF
3	25010001	FILTRO SPRUZZATORE ACQUA	SPRINKLER WATER FILTER	FILTRE ATOMISEUR EAU	SPRINKLER-WASSERFILTER
4	12010	GUARNIZIONE TEFLON ACQUA/VAPORE 20x17x2	PIPE GASKET TEFLON 20x17x2	JOINT TUYAU TEFLON EAU/VAP TEFLON	TEFLON-DICHTUNG WASSER/VAP 20x17x2
5	4653003	CORPO RUBINETTO CW510L	TAP BODY CW510L	CORPS DE ROBINET CW510L	HAHNKORPER CW510L
6	25384	DADO OTTONE M26x1.5	BRASS NUT 26X1.5	ECROU LAITON 26X1.5	MESSING-MUTTER 26X1.5
7	12158	GUARNIZIONE 26x20.5x2	GASKET 26x20.5x2	JOINT 26x20.5x2	DICHTUNG 26x20.5x2
8	23029	DADO INOX M3 UNI 5587 A2	STEEL NUT M3	ECROU INOX M3	STHAL MUTTER M3
9	12203	GUARNIZIONE HNBR 15x4x4	RUBBER GASKET 15x4x4	JOINT EN CAOUTCHOUC 15X4X4	GUMMIDICHTUNG 15x4x4
10	4625616	PISTONCINO RUBINETTO	TAP JUMPER	PISTON ROBINET	HAHNKOLBEN
11	25655052	DISCHETTO ASTA RUBINETTO	DISKETTE TAP ROS	DISQUETTE TIGE ROBINET	DISKETTE
12	4625312	ASTA RUBINETTO CROMATA L139 CW510L/Cr	CHROMED TAP SHAFT	TIGE ROBINET CHROME	HAHNSTANGE CHROM
13	10001	ANELLO ARRESTO D6 INOX	STEEL CIRCLIP	CIRCLIP INOX	STAHLHALTENRING
14	4625461	GHIERA RUBINETTO CW510L	TAP RING NUT CW510L	EMBOUT ROBINET CW510L	HAHNZWINGE CW510L
15	12204	GUARNIZIONE GOMMA RUBINETTO 12.5x7.5x9	TAP RUBBER GASKET 12.5x7.5x9	JOINT CAOUTCHOUC ROB. 12.5X7.5X9	HAHNDICHTUNG 12.5x7.5x9
17	4625655	RONDELLA RUBINETTO CW510L	TAP WASHER	RONDELLE ROBINET	HAHNSCHEIBE
18	10452	MOLLA RUBINETTO ACQUA/VAPORE N4	WATER/STEAM TAP SPRING N4	RESSORT DE ROBINET EAU-VAPEUR N4	WASSER/DAMPF HAHNFEDER N4
19	4625385001	DADO PREMISTOPPA RUBINETTO + RONDE	TAP STUFFING NUT	ECROU DE PRESSE-ETOUPE ROBINET	STOPFBUCHSE MUTTER - HAHN
19	4625678001	RACCORDO RUBINETTO CW510L	TAP FITTING CW510L	RACCORD ROBINET CW510L	HAHNANSCHLUSSTUCK CW510L
20	46561041	ASSIEME RUBINETTO ACQUA/VAPORE	WATER/STEAM TAP UNIT	ENSEMBLE ROBINET EAU/VAPEUR	WASSER/DAMPF ROHRSATZ

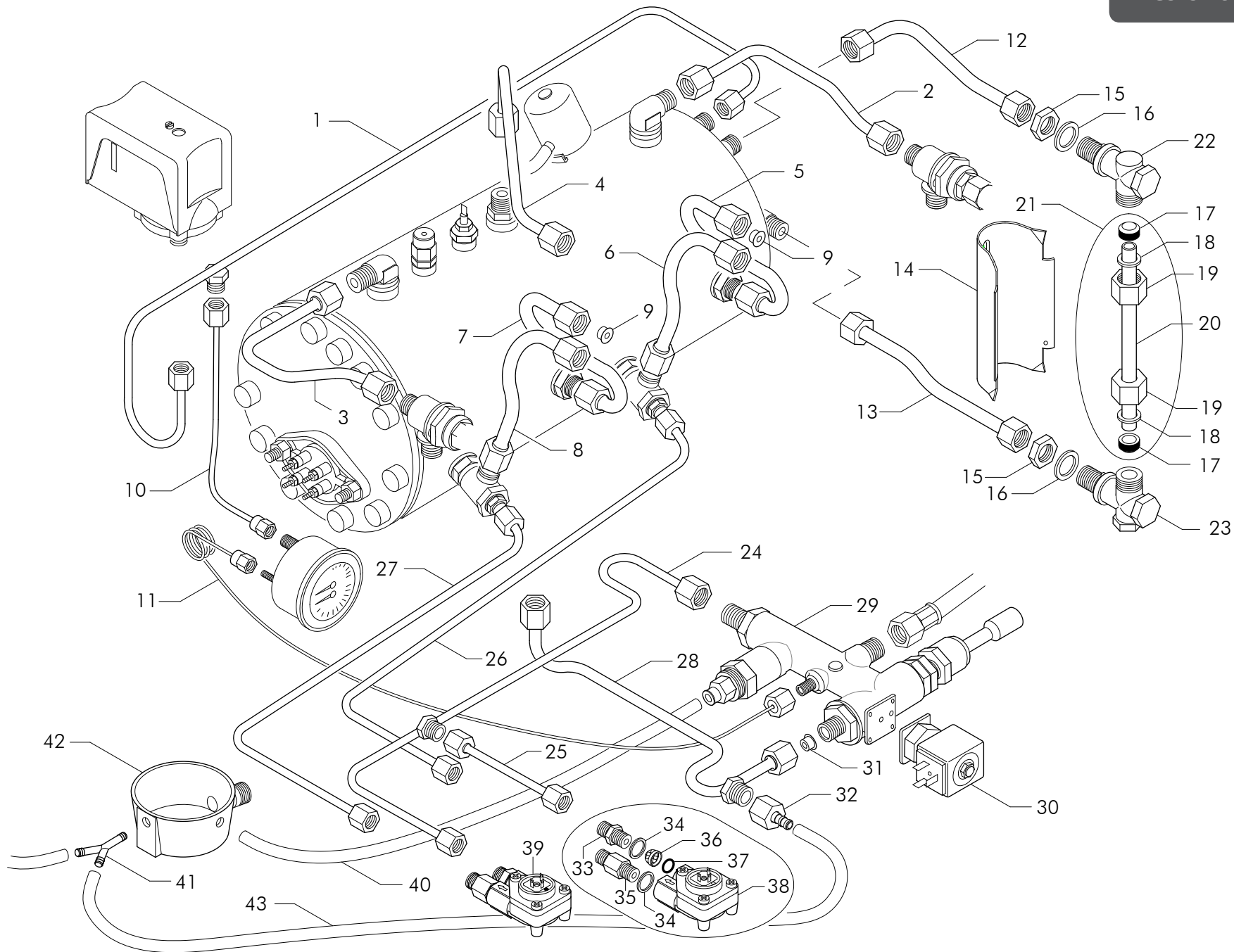


* Gruppo ALTO - RAISED group

Pos	Code	Denominazione - IT -	Denomination - EN -	Denomination - FR -	Denomination - DE -
1	4656082106	GRUPPO CTS 2003 CW510L/Cr NEUTRO	NEUTRAL CTS GROUP 2003	GROUPE CTS 2003 NEUTRE	GRUPPE CTS 2003 NEUTRAL
2	12305	GUARNIZIONE OR	O RING	JOINT OR	O-RINGDICHT
3	4718181015	ELETTRORVALVOLA GRUPPO 110-120V/60 NSF	SOL.VALVE 3V GROUP 110-120/60 NSF	ELECTROVANNE 3V GROUPE 110-120/60 NSF	ELEKTROVENTIL 3V GRUPPE 110-120/60 NSF
3	4718181016	ELETTRORVALVOLA GRUPPO 208-240/60 NSF	SOL.VALVE 3V GROUP 208-240/60 NSF	ELECTROVANNE 3V GROUPE 208-240/60 NSF	ELEKTROVENTIL 3V GRUPPE 208-240/60 NSF
4	23551	VITE TCEI INOX 4x12 UNI 5931 DIN912#	STEEL SCREW TCCE 4x12 UNI 5931	VIS INOX TCCE 4x12 UNI 5931	STAHLSCRAUBE TCCE 4x12 UNI 5931
5	52000168	TUBO D-12 L.92	TUBE D-12 L.92	TUYAU D-12 L.92	ROHR D-12 L.92
6	52000194	TUBO D-12 L.132	TUBE D-12 L.132	TUYAU D-12 L.132	ROHR D-12 L.132
7	4625789306	TAPPO PORTA GIGLEUR GRUPPO CTS 03	CAP GROUP JET	BOUCHON GIGLEUR	STOPFEN EINSPRITZDUSE
8	12336000	GUARNIZIONE ORM 0170-30 NBR Di17x3	GASKET ORM 0170-30 HNBR 70Sh	JOINT ORM 0170-30 HNBR 70Sh	DICHTUNG ORM 0170-30 HNBR 70Sh
9	10253	FILTRO GIGLER	JET FILTER	FILTRE GICLEUR	DUSE FILTER
10	4610300001	GIGLER x GRUPPO D 0.7 CW510L	BRASS GROUP JET D 0.7	GIGLEUR LAITON POUR GROUPE D 0.7	VERMESSINGTE GRUPPENDUSE D 0.7
11	4625739502	PORTAGIGLER GRUPPO CTS 03 CW510L	NOZZLE HOLDER GROUP CTS 03	PORTE-GICLEUR GROUPE CTS 03	DUSEHALTER GRUPPE CTS 03
12	12300026	GUARNIZIONE OR	O RING GASKET	JOINT OR	OR DICHTUNG
13	12336001	GUARNIZIONE NBR Di25x4	GASKET NBR Di 25x4	JOINT NBR Di 25x4	DICHTUNG NBR Di 25x4
14	4656130001	ASSIEME PORTAGIGLER GRUPPO CTS 03	NOZZLE HOLDER GROUP CTS 03	PORTE-GICLEUR GROUPE CTS 03	DUSEHALTER GRUPPE CTS 03R
15	4625789305	TAPPO CAMERA PREINFUSIONE GRUPPO CTS	CAP GROUP JET	BOUCHON GIGLEUR	STOPFEN EINSPRITZDUSE
16	12012006	GUARNIZIONE TEFLON 33x28x4 GRUPPO CTS	GASKET TEFLON 33x28x4 GROUP CTS 03	JOINT TEFLON 33x28x4 GROUPE CTS 03	TEFLON DICHTUNG 33x28x4 GRUPPE CTS 03
17	4625687002	RACCORDO 3/8x3/8 GAS GRP CTS 03 CW510L	CONNECTOR 3/8x3/8 CTS 03 UNIT	RACCORD 3/8x3/8 GR. CTS 03	ANSCHLUSS 3/8x3/8 CTS 03
18	4625422008	DIFFUSORE GRUPPO CTS 03	GROUP DIFFUSER	DIFFUSEUR GROUPE	GRUPPE VERTEILER
19	12215	GUARN.GOMMA S.COPPA 72x56x8.5 MAGGIOR.	LARGER SIZED FILTER SUPPORT RUBBER	JOINT CAOUTCHOUC SOUCOUBE 72x56x8.5	FILTERHALTER-GUMMIDICHTUNG 72x56x8 GROSS
19	12217	GUARN.GOMMA S.COPPA 72x56x8 NORMALE	STANDARD SIZE FILTER SUPPORT GASKET	JOINT CAOUTCHOUC SOUCOUBE 72x56x8 N	FILTERHALTER-GUMMIDICHTUNG 72x56x8 NORMAL
20	4625627	PORTADOCCHETTA GRUPPO EROGAZIONE CW510L	WATER SPOUT UNIT SUPPORT	PORTE-DOUCHETTE GROUPE DISTRIBUTION	DUSCHTRAGER VERSORGUNGSEINHEIT
21	27100	DOCCHETTA GRUPPO	GROUP SHOWER PLATE	DOUCHETTE GROUPE	DUSCHE VERTEILEREINHEIT
22	23260014	RONDELLA INOX 12x5	INOX WASHER 12X5	RONDELLE INOX 12x5	STAHL SCHEIBE 12x5
23	23514	VITE TPS INOX 5x20 TAGLIO CACC.	5x20 STAINLESS STEEL FLATHEAD SCREW	VIS TPS INOX 5x20 DE TOURNEVIS	SCHRAUBE TPS rostfrei5x20 SCHRAUBEN

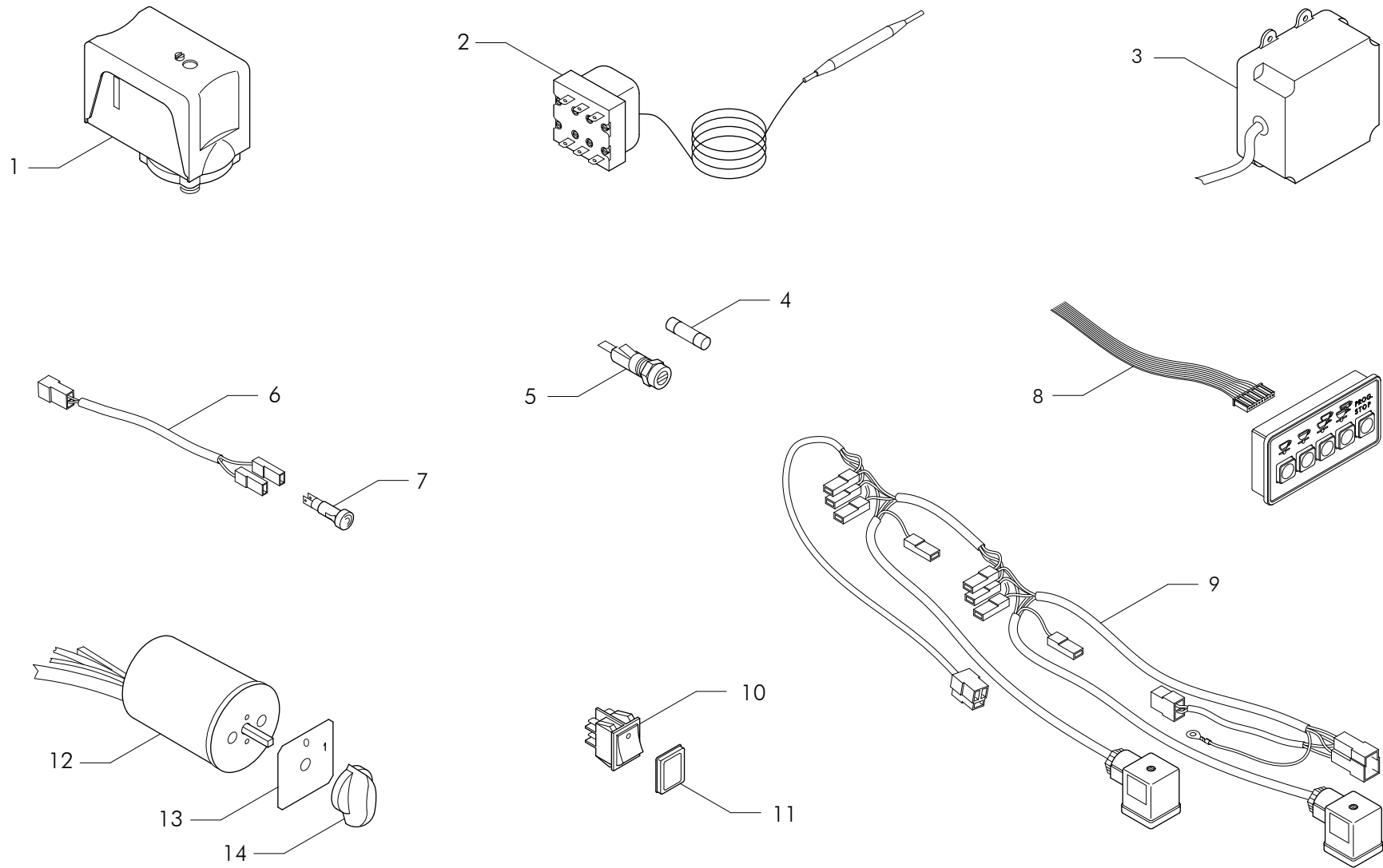


Pos	Code	Denominazione - IT -	Denomination - EN -	Denomination - FR -	Denomination - DE -
1	23049	DADO OTTONE M8	BRASS NUT M8	ECROU LAITON M8	MESSING-SCHRAUBENMUTTER M8
2	4617060001	RESISTENZA 2GR 6P 230/240V 4500/4900W	HEATING EL.2GR 230/380V 4500W 6POLE	RESISTANCE 2GR 230/380V 4500W 6POLE	HEIZKORPER 2GR 230/380V 4500W 6P CW510L
3	12001	GUARNIZIONE TEFLON 58x43x2	TEFLON GASKET 58x43x2	JOINT TEFLON 58x43x2	TEFLON DICHTUNG 58x23x2
4	23133	PRIGIONIERO INOX 8x40	STAINLESS STEEL BOLT 8x40	VIS INOX 8x40	STAHLSCHRAUBE 8x40 8x40
5	23556	VITE TCEI INOX 10x20	STEEL SCREW TCCE 10X20	VIS INOX TCCE 10X20	STAHLSCHRAUBE TCCE 10x20
6	4625780	TAPPO MASCHIO OTTONE 1/4	BRASS MALE CAP 1/4	BOUCHON MALE LAITON 1/4	MESSING-STOPFEN 1/4
7	12153	GUARNIZIONE RAME 1/4 17x13.3x1.5	GASKET 1/4 17x13.3x1.5 COPPER	JOINT CUIVRE 1/4 17x13.3x1.5	KUPFERDICHTUNG 1/4 17x13.3x1.5
8	4643030001	RACCORDO INIETTORE 3/8Fx3/8Mx14F CW510L	3/8Fx3/8Mx14F INJECTOR FITTING	RACC. INJECTEUR 3/8Fx3/8Mx14F	ANSCHLUSS EINSPRITZER 3/8Fx3/8Mx14F
9	4652002788	TUBO D-6 L.85	TUBE D6 L85	TUYAU D-6 L.85	ROHR D-6 L.85
10	4653011	FLANGIA NORMALE SENZA FORI CW510L	FLANGE WITHOUT HOLES CW510L	BRIDE SANS TROUS CW510L	NORMALER FLANSCH OHNE LOCHER CW510L
11	12003	GUARNIZIONE CALDAIA	BOILER GASKET	JOINT CHAUDIERE	KESSELDICHTUNG
12	4662801603	CALDAIA 2GR CTS AEA CW510L	2GR CTS AEA BOILER	CHAUDIERE 2GR CTS AEA	KESSEL 2GR CTS AEA
13	12101	GUARNIZIONE RAME 3/8 22x17x3	GASKET COPPER 3/8 22x17x3	JOINT CUIVRE 3/8 22x17x3	KUPFERDICHTUNG 3/8 22x17x3
14	4643052	RACCORDO "L" 3/8 CW510L	CONNECTOR 'L' 3/8	RACCORD 'L' 3/8	ANSCHLUSS 'L' 3/8
15	12153	GUARNIZIONE RAME 1/4 17x13.3x1.5	GASKET 1/4 17x13.3x1.5 COPPER	JOINT CUIVRE 1/4 17x13.3x1.5	KUPFERDICHTUNG 1/4 17x13.3x1.5
16	4656150	VALVOLA ANTIRISUCCHIO V.A.R. CW510L	ANTI-EDDY VALVE V.A.R. CW510L	SOUPAPE ANTI-DEPRESSION V.A.R. CW510L	VENTIL UNTERDRUCKFREI V.A.R. CW510L
17	25651	RONDELLA OTTONE 3/8	BRASS WASHER 3/8	RONDELLE LAITON 3/8	MESSINGSCHIEBE 3/8
18	25356	CONTRODADO OTTONE 3/8	BRASS LOCK NUT 3/8	CONTRE-ECROU LAITON 3/8	MESSING-GEGENMUTTER 3/8
19	4620251	SONDA LIVELLO CW510L	LEVEL PROBE	JAUG	PEGELFUHLER
20	4652001612	TUBO D-10 L.115	TUBE D-10 L.115	TUYAU D-10 L.115	ROHR D-10 L.115
21	4620352001	VALVOLA SICUREZZA SIG.CMA 22PSI	SIG.SAFETY VALVE CW510L	VANNE DE SECURITE JOINT CW510L	SICHERHEITSVENTIL SIG. CW510L
22	15006001	FLANGIA VALVOLA SICUREZZA	FLANGE VALVE	JOINT VANNE	FLANSCH VENTIL
23	12300000	GUARNIZIONE OR	GASKET O RING	JOINT OR	OR DICHTUNG
24	56009980	ASSIEME PROTEZIONE VALVOLE SICUREZZA	UNIT PROTECTION VALVE	ENSEMBLE PROTECTION VANNE	SATZ-SCHUTZGITTER VENTIL
25	15478002	TUBO SILICONE 8x11 L.70cm	SILICONE TUBE 8x11 L.70cm	TUYAU SILICONE 8x11 L.70cm	SILIKONROHR 8x11 L.70cm
26	4625687	RACCORDO 3/8x3/8 CW510L	3/8x3/8 FITTING CW510L	RACCORD 3/8x3/8 CW510L	ANSCHLUSS 3/8x3/8 CW510L
27	12005	GUARNIZIONE 28x17x2	GASKET 28X17X2	JOINT 28X17X2	DICHTUNG 28x17x2
28	4663200002	SCAMBIATORE CIRC.TERMOSIFONICA D-80	EXCHANGER WITH THERMOSIPH.CIRCULATI	ECHANG. CIRCUL. A THERMOSIPHON D-80	AUSTAUSCHER MIT ROHREN D-80

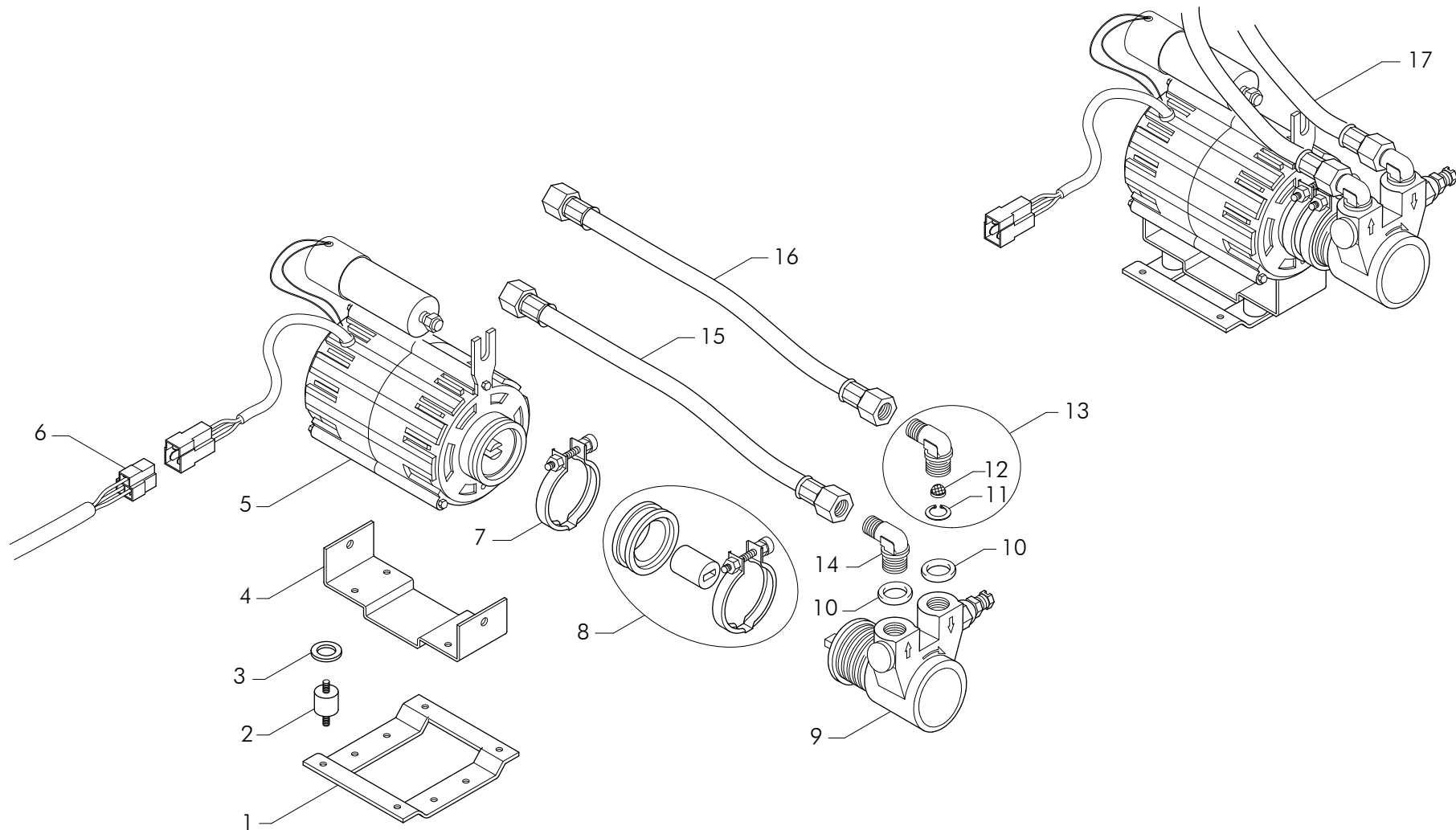


Pos	Code	Denominazione - IT -	Denomination - EN -	Denomination - FR -	Denomination - DE -
1	4652001587	TUBO D-6 L.675	TUBE D-6 L.675	TUYAU D-6 L.675	ROHR D-6 L.675
2	4652000407	TUBO D-10 L.290	TUBE D-10 L.280	TUYAU D-10 L.280	ROHR D-10 L.280
3	4652000406	TUBO D-10 L.310	TUBE D-10 L.310	TUYAU D-10 L.310	ROHR D-10 L.310
4	4652000408	TUBO D-8 L.300	TUBE D-8 L.300	TUYAU D-8 L.300	ROHR D-8 L.300
5	4652001538	TUBO D-10 L.215	TUBE D-10 L.215	TUYAU D-10 L.215	ROHR D-10 L.215
6	4652003927	TUBO D-10 L.190	TUBE D-10 L.190	TUYAU D-10 L.190	ROHR D-10 L.190
7	4652003926	TUBO D-10 L.215	TUBE D-10 L.215	TUYAU D-10 L.215	ROHR D-10 L.215
8	4652003925	TUBO D-10 L.160	TUBE D-10 L.160	TUYAU D-10 L.160	ROHR D-10 L.160
9	4623294001	STROZZATURA RICIRCOLO GR CTS D 2,5	CTS UNIT D 2,5 RECIRC. NECK	ETRANGLEMENT RECYCLAGE GR.D-2,5	ENGSTELLE UMWALZUNG D. 2,5
9	4623294003	STROZZATURA RICIRCOLO GR CTS D 4	CTS UNIT D 4 RECIRC. NECK	ETRANGLEMENT RECYCLAGE GR.D.4	ENGSTELLE UMWALZUNG D. 4
10	4652001588	TUBO D-4 L.410	TUBE D-4 L. 410 A	TUYAU D-4 L.410	ROHR D-4 L.410
11	4652003058	TUBO D-2 L.1000	TUBE D-2 L.1000	TUYAU D-2 L.1000	ROHR D-2 L.1000
12	4652001547	TUBO D-10 L.180	TUBE D-10 L.180	TUYAU D-10 L.180	ROHR D-10 L.180
13	4652002958	TUBO D-10 L.160	TUBE D-10 L.160 W1/E	TUYAU D-10 L.160 W1/E	ROHR D-10 L.160 W1/E
14	44002	COPRILIVELLO VERNICIATO BIANCO	LEVEL INDICATOR COVER PAINTED WHITE	COUVRE-NIVEAU LAQUE BLANC	NIVEAUDECKEL
15	25356	CONTRODADO OTTONE 3/8	BRASS LOCK NUT 3/8	CONTRE-ECROU LAITON 3/8	MESSING-GEGENMUTTER 3/8
16	25651	RONDELLA OTTONE 3/8	BRASS WASHER 3/8	RONDELLE LAITON 3/8	MESSINGSCHLEIBE 3/8
17	12200	GUARNIZIONE 16x10x8	GASKET 16X10X8	JOINT 16X10X8	DICHTUNG 16x10x8
18	25652	RONDELLA OTTONE D17.8	BRASS WASHER D.17.8	RONDELLE LAITON D.17.8	MESSING-SCHLEIBE D.17.8
19	25383	DADO OTTONE M20x1.5	BRASS NUT 20X1.5	ECROU LAITON 20X1.5	MESSING-MUTTER 20x1.5
20	21300	TUBO VETRO LIVELLO 11x8x170	GLASS LEVEL TUBE 11X8X170	TUBE NIVEAU EN VERRE 11X8X170	NIVEAU GLASROHR 11x8x170
21	56001	ASSIEME TUBO LIVELLO	LEVEL TUBE UNIT	ENSEMBLE TUBE DE NIVEAU	ROHRSATZ FUR NIVEAU
22	4653002	CORPO LIVELLO SUPERIORE	UPPER LEVEL BODY	CORPS DE NIVEAU SUPERIEUR	OBERNIVEAUKORPER
23	4656005	CORPO LIVELLO INFERIORE	LOWER LEVEL BODY UNIT	ENSEMBLE CORPS DE NIVEAU INFERIEUR	UNTER NIVEAUKORPER
24	4652004304	TUBO D-6 L.560	TUBE D-6 L.560	TUYAU D-6 L.560	ROHR D-6 L.560
25	4652004324	TUBO D-6 L.100	TUBE D-6 L.100	TUYAU D-6 L.100	ROHR D-6 L.100
26	4652001595	TUBO D-6 L.460	TUBE D-6 L.460	TUYAU D-6 L.460	ROHR D-6 L.460
27	4652001596	TUBO D-6 L.355	TUBE D-6 L.355	TUYAU D-6 L.355	ROHR D-6 L.355
28	4652001563	TUBO D-8 L.410	TUBE D-8 L.410	TUYAU D-8 L.410	ROHR D-8 L.410
29	4661016001	DISTRIBUTORE CARICO ACQUA CW510L	WATER DISTRIBUTION BLOCK	DISTRIBUTEUR EAU	WASSER VERTEILER
30	4718181005	ELETTROVALVOLA 2V AEA 208-240/60 NSF	EL.2V AEA 208-240/60 2019F1	ELECTROVANNE 2V AEA 208-240/60 NSF	ELEKTROVENTIL 2V AEA 20/-240/60 NSF
31	4623293012	STROZZATURA D-1.2	NECK D-1.2	ETRANGLEMENT D-1.2	UMWALZUNG D-1.2
32	46257396	RACCORDO SCARICO CALDAIA ASSIEMATO	FITTING	RACCORD	ANSCHLUSS
33	4625686	RACCORDO 1/4Mx1/4M	CONNECTOR 1/4Mx1/4M	RACCORD 1/4Mx1/4M	ANSCHLUSS 1/4Mx1/4M
34	12153	GUARNIZIONE RAME 1/4 17x13.3x1.5	GASKET 1/4 17x13.3x1.5 COPPER	JOINT CUIVRE 1/4 17x13.3x1.5	KUPFERDICHTUNG 1/4 17x13.3x1.5
35	4625708	RACCORDO 1/4x1/4 CW510L	1/4X1/4 CW510L FITTING	RACCORD 1/4X1/4 CW510L	ANSCHLUSS 1/4X1/4 CW510L

Pos	Code	Denominazione - IT -	Denomination - EN -	Denomination - FR -	Denomination - DE -
37	12329	GUARNIZIONE OR HNBR 7.66xW1.78	GASKET OR HNBR 7.66xW1.78	JOINT OR HNBR 7.66x1.78	OR DICHTUNG HNBR 7.66xW1.78
38	4618126	DOSATORE FLOWMETER	FLOWMETER DOSER	KIT DOSEUR	DOSIERER
39	4656122000	ASSIEME DOSATORE CW510L	DOSEUR KIT CW510L	KIT DOSEUR CW510L	DOSIERER CW510L
40	15452113	TUBO SILICONE PLATINICO 6x9 L.195	SILICONE TUBE D-6x9 L.195	TUYAU SILICONE D-6x9 L.195	SILIKONROHR D-6x9 L.195
41	15422010	RACCORDO "Y" POLIPROPILENE D-10	"Y" POLIPROPILENE FITTING	RACCORD "Y" POLIPROPILENE	ANSCHLUSS "Y" POLIPROPILENE
42	15502	VASCHETTA SCARICO ROTONDA D 80	ROUND DRAIN BASIN D.80mm	CUVE A VIDANGER RONDE D.80mm	RUNDE ABFLUSSCHALE D.80mm
43	15452107	TUBO SILICONE PLATINICO 6x9 L.80	SILICONE TUBE D-6x9 L.80	TUYAU SILICONE D-6x9 L.80	SILIKONROHR D-6x9 L.80



Pos	Code	Denominazione - IT -	Denomination - EN -	Denomination - FR -	Denomination - DE -
1	4620150	PRESSOSTATO SECCO SIRAI 30A CW510L	DRY PRESSURE SWITCH SIRAI 30A CW510L	PRESSOSTAT SEC SIRAI 30A CW510L	TROCKENDRUCKWACHTER SIRAI 30A CW510L
2	20300019	TERMOSTATO UL 160?C	THERMOSTAT UL 160?C	THERMOSTAT UL 160?C	THERMOSTAT UL 160?C
3	18090031	CENTRALINA 1-3GR 230-240V RL3	CONTROL UNIT 1-3GR 230-240V RL3	CENTR. 1-3GR. 230-240V RL3	EINHEIT 1-3GR 230-240V RL3
4	19109003	FUSIBILE 15A ULKTK-R Class CC CSA/UL	FUSE 15A CSA/UL	FUSIBLE 15A CSA/UL	SICHERUNG 15A CSA/UL
5	19123001	PORTAFUSIBILE 20A 600V	FUSE HOLDER 20A 600V	PORTE-FUSIBLE 20A 600V	SICHERUNGSHALTER 20A 600V
6	22718101	CABLAGGIO PROLUNGA LAMPADINA UL	WIRING FOR LAMP UL	CABLE PROLONGE LAMPE UL	VERDRAHTUNG LAMPE UL
7	21030	LAMPADA SPIA UL/CSA 250V 3322260179	WARNING LIGHT UL 250V	LAMPE TEMOIN UL 250V	KONTROLLAMPE UL 250V
8	22627	CAVO PULSANTIERA 10 POLI 80CM	80 CM CONNECTOR FOR P.BUTTON PANEL	CABLE CLAVIER 10 POLES 80 CM	KABEL BEDIENBL. 10 POLIG 80CM
8	22628	CAVO PULSANTIERA 10 POLI 140CM	140 CM CABLE FOR P.BUTTON PANEL	CABLE CLAVIER 10 POLES 140 CM	KABEL BEDIENBL. 10 POLIG 140CM
9	2289H	CABLAGGIO SAE/2 UL	CABLE SAE/2 U.L	CABLAGE SAE/2 U.L	SAE/2 VERDRAHTUNG U.L
10	18263	INTERRUTTORE BIP. NERO LED LUMIN.ROSSO	BIP. LUMIN. BLACK SWITCH	INTER.BIP.LUMIN. NOIR	ZWEIP.SCHALTER M. SCHWARZ LEUCHTE
11	19049	COPERTURA INTERRUTTORE	SWITCH COVER	PROTECTION INTERRUPTEUR	SCHALTER ABD.
12	8318200R	KIT INTERRUTTORE BREMAS A20.02	KIT BREMAS SWITCH A20.02	KIT INTERRUPTEUR BREMAS A20.02	KIT BREMAS SCHALTER A20.02
12	8318205R	KIT INTERRUTTORE BREMAS A20.04	KIT BREMAS SWITCH A20.04 CA0170004	KIT INTERRUPTEUR BREMAS A20.04	KIT BREMAS SCHALTER A20.04
12	8318206R	KIT INTERRUTTORE BREMAS A32.02	KIT BREMAS SWITCH A32.02	KIT INTERRUPTEUR BREMAS A32.02	KIT BREMAS SCHALTER A32.02
13	29067	ETICHETTA ADESIVA '1-0-2' NERO PLASTICO	ADHESIVE LABEL '1-0-2' BLACK	ETIQ. ADHES. 1-0-2' NOIR	KLEBEETIKETTE '1-0-2'SCHWARZ
14	15271	MANOPOLA INTERR.GENERALE BREMAS	MAIN SWITCH HAND GRIP	MANETTE INTERR. GENERAL	HAUPTSCHALTERGRIF



Pos	Code	Denominazione - IT -	Denomination - EN -	Denomination - FR -	Denomination - DE -
1	78167008	SUPPORTO MOTORE	MOTOR SUPPORT	SUPPORT MOTEUR	EINGEBAUTER MOTORHALTER
2	15105	GOMMA AMMORTIZZATORE	RUBBER FOR MOTOR	CAOUTCHOUC POUR MOTEUR	GUMMI x MOTOR
3	23265	RONDELLA 4x12	WASHER 4x12	RONDELLE 4x12	SCHEIBE 4x12
4	78174	SUPPORTO MOTORE	MOTOR SUPPORT	SUPPORT MOTEUR	EINGEBAUTER MOTORHALTER
5	18303002	MOTORE R.P.M. 230V 120W	MOTOR R.P.M. 230V 120W	MOTEUR R.P.M. 230V 120W	MOTOR R.P.M. 230V 120W
6	22717302	CABLAGGIO MOTOPOMPA RPM 120W UL	CABLE MOTOR PUMP UL	CABLE MOTEUR POMPE UL	KABEL MOTORPUMPE UL
7	26310003	FASCETTA GIUNZIONE MOTORE-POMPA	CLAMP MOTOR-PUMP	BANDE MOTEUR-POMPE	SHELLE MOTOR-PUMPE
8	83260016R	KIT DISACCOPIAMENTO MOTORE POMPA	KIT COUPLING MOTOR-PUMP	ENSEMBLE DECOUPLAGE MOTEUR POMPE	KIT MOTOR-PUMPE KUPPLUNG
9	4626303001	POMPA FLUID-O-TECH PB 104 3/8G CW510L	PUMP FLUID-O-TECH PB 104 NSF 3/8G	POMPE FLUID-O-TECH P0104 NFS 3/8G	PUMPE FLUID-O-TECH PB 104 NFS 3/8G
10	12101	GUARNIZIONE RAME 3/8 22x17x3	GASKET COPPER 3/8 22x17x3	JOINT CUIVRE 3/8 22x17x3	KUPFERDICHTUNG 3/8 22x17x3
11	10005	ANELLO DI ARRESTO INOX	STAINLESS STEEL STOP RING	ANNEAU DE BUTEE INOX	DRAHTSPRENGRING ROSTFREI
12	10254	FILTRO ACCIAIO 160-200 MESH	STEEL FILTER 160-200 MESH	FILTRE EN ACIER 160-200 MESH	STAHLFILTER 160-200 MESH
13	4656116001	RACCORDO GOMITO 3/8+3/8 MOTO POMPA	CONNECTOR 3/8+3/8 PUMP ASSEMBLY	RACCORD 3/8 + 3/8 ENS. MOTO POMPE	ANSCHLUSS 3/8 + 3/8 MOTORP. ZUSAMMEN
14	4643052	RACCORDO "L" 3/8 CW510L	CONNECTOR 'L' 3/8	RACCORD 'L' 3/8	ANSCHLUSS 'L' 3/8
15	30404	TUBOFLEX 3/8FF P.GOMMA CON. L45 Ni	FLEX PIPE 3/8 L45	TUYAU FLEX 3/8 FF L45	SCHLAUCH 3/8 AUFNAHMETUR L45 GUMMI KONI
16	30408	TUBOFLEX 3/8FF P.GOMMA L150 NI	FLEX PIPE 3/8 L150	TUYAU FLEX 3/8 FF L150	SCHLAUCH 3/8 AUFNAHMETUR L150 GUMMI KONI
17	4656123239	ASSIEME MOTORE 120W 230V + POMPA UL	ASSEMBLY MOTOR 120W 230V + PUMP UL	ENSEMBLE MOTEUR 120W 230V + POMPE UL	MOTOR 120W 230V + PUMPE UL