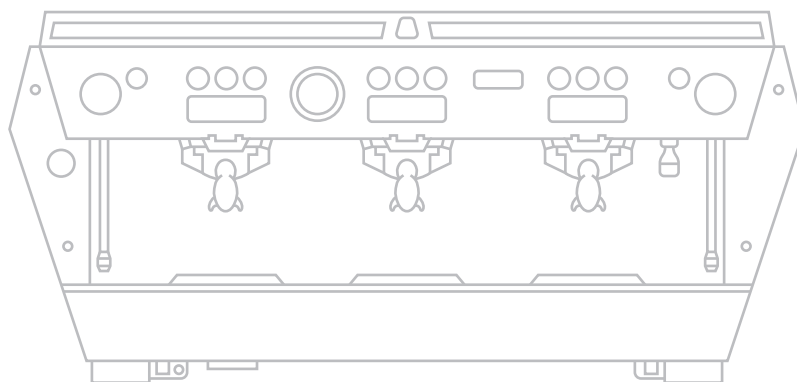


## U.S. installation guideline

# kb90



Dimensions	2 group	3 group	4 group
Height	17.5"	17.5"	17.5"
Width	32"	41.5"	50.8"
Depth	24.5"	24.5"	24.5"
<b>Weight</b>			
Machine Weight	156 lbs	194 lbs	269 lbs
<b>Power</b>			
Voltage/Phase/Cycle	208-240 VAC 1Φ 60Hz	208-240 VAC 1Φ 60Hz	208-240 VAC 1Φ 60Hz
Wattage	5700	7800	9200
Amp Service Required	30	50	50
<b>Volumes</b>			
brew boiler capacity (liters)	1.3 x 2	1.3 x 3	1.3 x 4
steam boiler capacity (liters)	7	11	15
Certifications	UL-197, NSF-8, CAN/CSA-C22.2 No. 109		
Configurations Available	Auto-Volumetric (AV), Auto Brew Ratio (ABR)		

### Water

Water Flow Rate	2GPM
Dynamic Water Pressure †	45PSI
Min. Pipe Size Diameter*	3/8"
Water Connection*	3/8" male comp.
Water Quality	Contact us for a free water test kit. See water specifications.

### Drainage

Max. Dist.*	5'
Drain Slope*‡	Min. 1/4" per foot

### External Pump

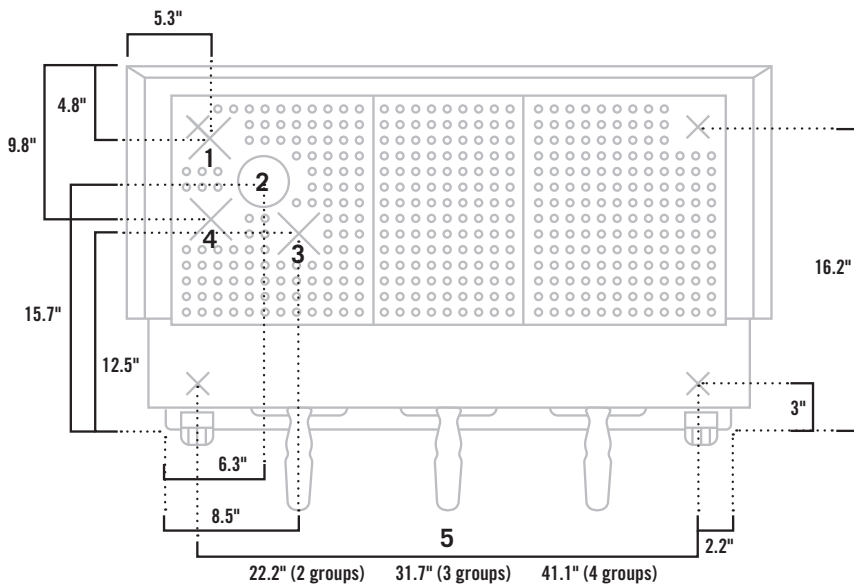
Dimensions	12" x 12" x 12"
Max. Dist. from Water Supply*	4'
Max. Dist. from Machine	8'
Counter Hole Diameter	3—4"

\* suggested | † regulate as needed | ‡ This machine must be installed in accordance with the applicable federal, state and local plumbing codes



# la marzocco

handmade in florence

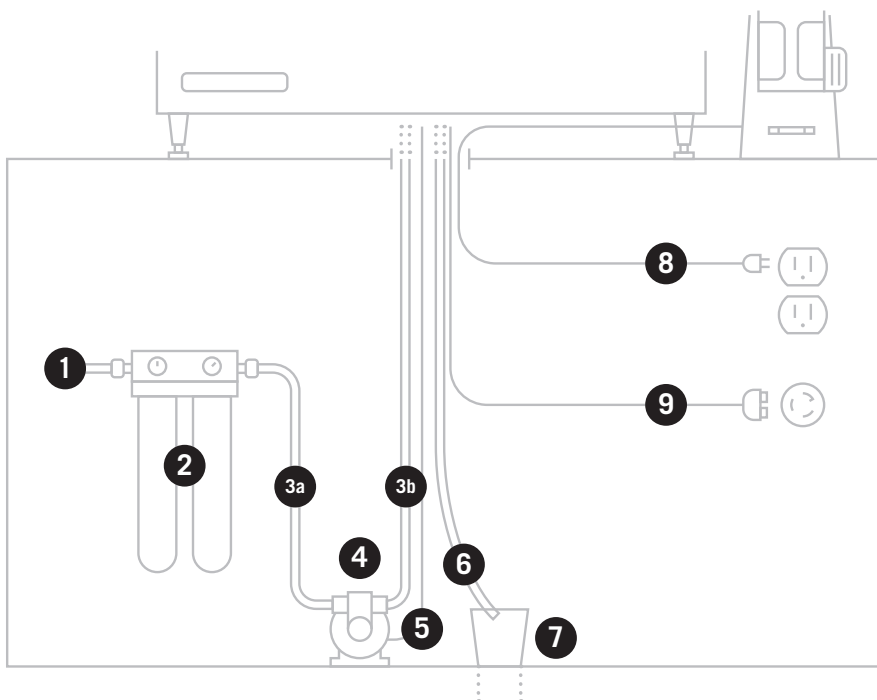


## top view

1. position of the power cord
2. suggested diameter of counter hole: 3-4"
3. position of the drain tube
4. position of the water inlet hose
5. width of legs per model

× machine leg location

**note:** If installing high legs, the front and back NSF cover skirting pieces must be moved before attaching the legs



## front view

1. 3/8" cold water supply
2. water filter required (not provided), see water specifications below.
- 3a. 3/8" compression cold water supply line suggested max. dist. from water supply 4'
- 3b. 3/8" BSPP cold water supply line suggested max. dist. from water supply 8'
4. pump and motor
5. electrical supply to motor from machine
6. 3/4" flexible drainline (min. 0.25"/1' slope)
7. floor drain
8. 110V, 15amp elec. supply to grinder
9. 208-240V single phase elec. supply to espresso machine (plug not provided)

## water specifications

La Marzocco recommends that your filtration system produces water with the following properties:

<b>T.D.S.</b>	90—150ppm
<b>Total Hardness</b>	70—100 ppm
<b>Total Iron</b>	0—0.02ppm
<b>Free Chlorine</b>	0—0.05ppm
<b>Total Chlorine</b>	0—0.1ppm

<b>pH</b>	6.5—8
<b>Alkalinity</b>	40—80ppm
<b>Chloride</b>	0—30ppm
<b>Line Pressure</b>	45—80 PSI
<b>Flow Rate</b>	2 GPM or 8 LPM