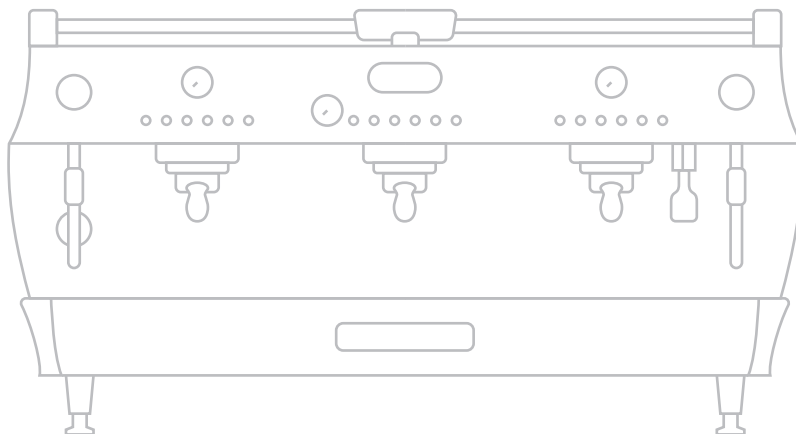


U.S. installation guideline

gb5 s



Dimensions	2 group	3 group	4 group
Height	21.4"	21.4"	21.4"
Width	29"	38.5"	48"
Depth	25.2"	25.2"	25.2"
Weight			
Machine Weight	150 lbs	171 lbs	198 lbs
Power			
Voltage/Phase/Cycle	208-240 VAC 1Φ 60Hz	208-240 VAC 1Φ 60Hz	208-240 VAC 1Φ 60Hz
Wattage	5200	6800	8300
Amp Service Required	30	50	50
Volumes			
brew boiler capacity (liters)	3.4	5	3.4 x 2
steam boiler capacity (liters)	7	11	15
Certifications	UL-197, NSF-8, CAN/CSA-C22.2 No. 109		
Configurations Available	Auto-Volumetric (AV), Semi-Automatic (EE), Auto with Scales (ABR)		

Water

Water Flow Rate	2GPM
Dynamic Water Pressure †	45PSI
Min. Pipe Size Diameter*	3/8"
Water Connection*	3/8" male comp.
Water Quality	Contact us for a free water test kit. See water specifications.

Drainage

Max. Dist.*	5'
Drain Slope*‡	Min. 1/4" per foot

External Pump

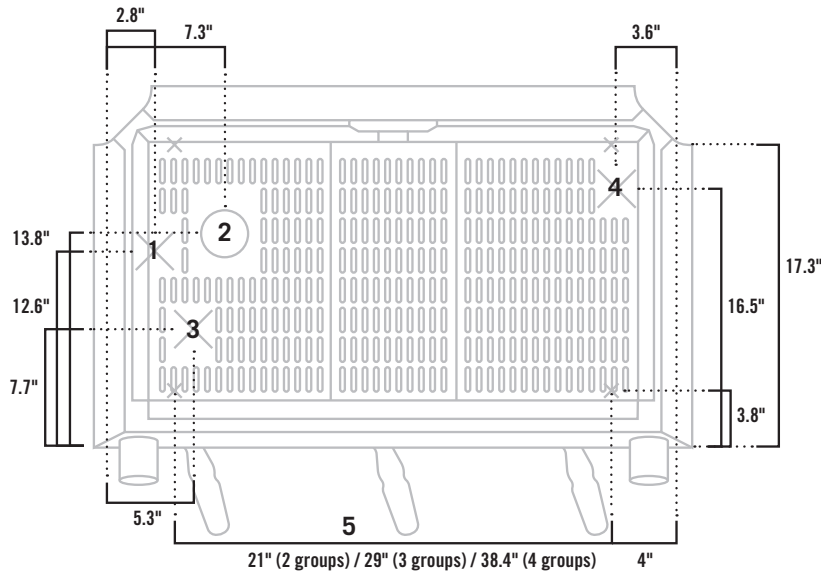
Dimensions	12" × 12" × 12"
Max. Dist. from Water Supply*	4'
Max. Dist. from Machine	8'
Counter Hole Diameter	3—4"

* suggested | † regulate as needed | ‡ This machine must be installed in accordance with the applicable federal, state and local plumbing codes



la marzocco

handmade in florence

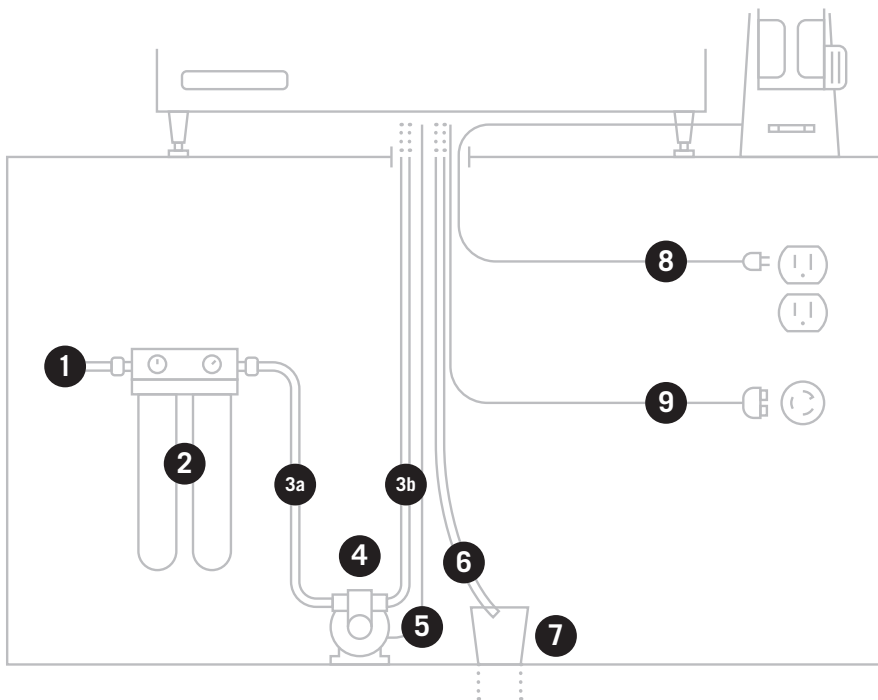


top view

1. position of the power cord
2. suggested diameter of counter hole: 3-4"
3. position of the drain tube
4. position of the water inlet hose
5. width of legs per model

× machine leg location

note: If installing high legs, the front and back NSF cover skirting pieces must be moved before attaching the legs



front view

1. 3/8" cold water supply
2. water filter required (not provided), see water specifications below.
- 3a. 3/8" compression cold water supply line suggested max. dist. from water supply 4'
- 3b. 3/8" BSPP cold water supply line suggested max. dist. from water supply 8'
4. pump and motor
5. electrical supply to motor from machine
6. 3/4" flexible drainline (min. 0.25"/1' slope)
7. floor drain
8. 110V, 15amp elec. supply to grinder
9. 208-240V single phase elec. supply to espresso machine (plug not provided)

water specifications

La Marzocco recommends that your filtration system produces water with the following properties:

T.D.S.	90—150ppm
Total Hardness	70—100 ppm
Total Iron	0—0.02ppm
Free Chlorine	0—0.05ppm
Total Chlorine	0—0.1ppm

pH	6.5—8
Alkalinity	40—80ppm
Chloride	0—30ppm
Line Pressure	45—80 PSI
Flow Rate	2 GPM or 8 LPM