



Café Racer 2 Group Installation Spec Sheet

Provided by:

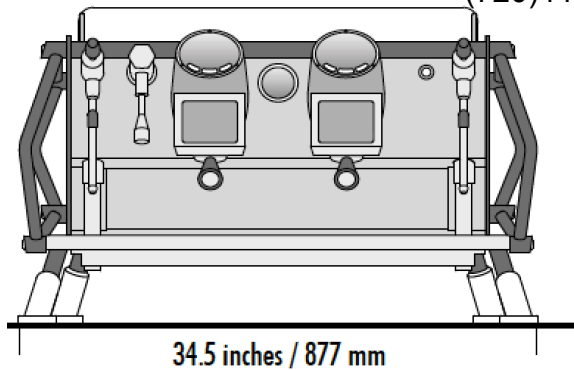
Voltage Coffee Supply

Free Shipping - Free Installation

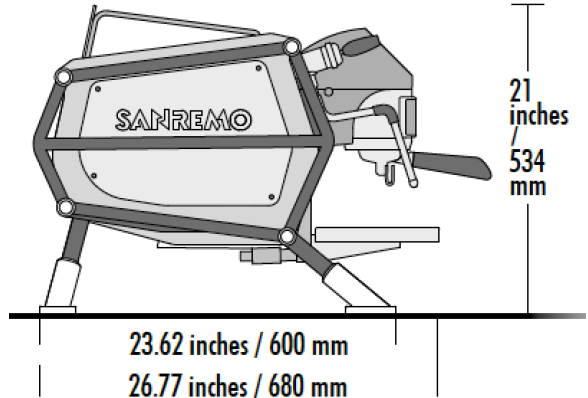
voltagecoffeesupply.com

(720)441-1962 (800)269-0051

Dimensions



34.5 inches / 877 mm



23.62 inches / 600 mm

26.77 inches / 680 mm

21 inches
534 mm

Water Requirements

- Dedicated cold water line with shut-off valve
- Minimum incoming line pressure of 29 PSI / 2 BAR and max line pressure of 65 PSI / 4.5 BAR

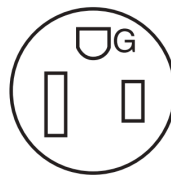
Total Dissolved Solids (TDS):	30-150 ppm
Total Hardness:	Below 85 ppm
pH:	6.5-8
Chlorides:	5-15 ppm *Any presence of Chlorides can cause corrosion*
Total Alkalinity:	35-75 ppm
Total Chlorine:	0 ppm
Iron:	0 ppm

Water levels outside of these parameters can void warranty. Consult with a water filtration professional for water testing and recommended systems.

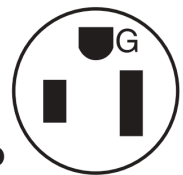
Electrical Requirements

- Volts: 220 (voltage range of 208-240) 60Hz
- Single phase / 3 wire (2 hot + 1 ground)
- Watts: 3500 - 6900 (**Ships @ 6500W**)
- Amp draw: **Min: 15A Max: 29A (Ships @ 27A)**
- Receptacle / plug: NEMA 6-50
- **Plug included**

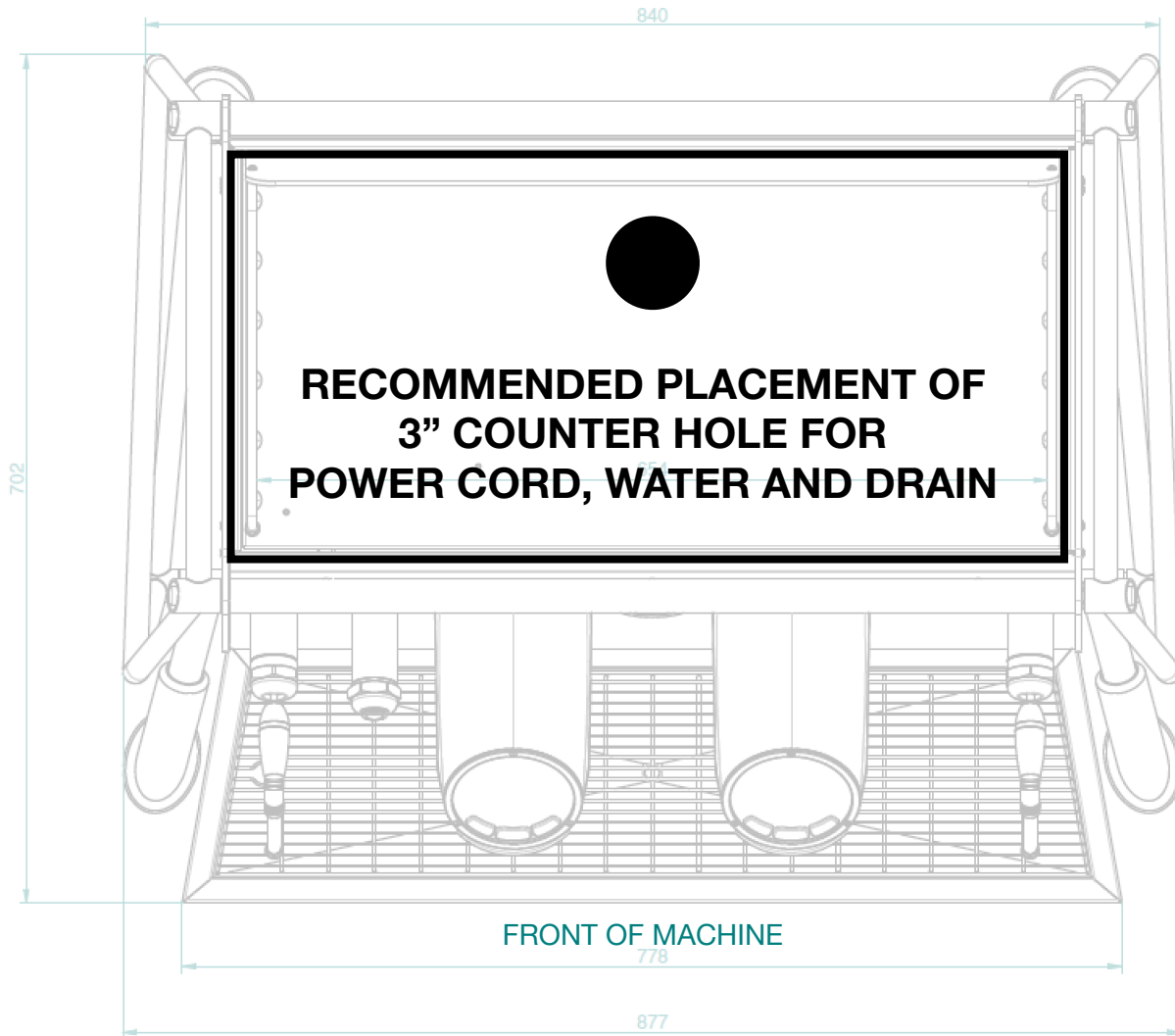
6-50R



6-50P



Countertop Hole _____



The above has been read and understood that these requirements must be completed and tested by certified contractors when the installer arrives. Failure to have the site ready will result in additional service and travel charges, and may cause further delays in installation.

Client Name: _____ Signature: _____

Company Name: _____

Phone: _____ Email: _____

Client Name		Date	
Machine Model		Machine Serial N°	

N° of Groups	Supply Voltage	Location Address / Type	Install Date	Installed By

Water Quality Report (Before & After Filtration)

TDS:		ppm
Total Hardness:		ppm
pH:		
Chlorides:		ppm
Total Alkalinity:		ppm
Total Chlorine:		ppm
Iron:		ppm

TDS:		ppm
Total Hardness:		ppm
pH:		
Chlorides:		ppm
Total Alkalinity:		ppm
Total Chlorine:		ppm
Iron:		ppm

Water Filtration Make / Model / Details (Please Send Photos of Installation and Filtration Setup)

Terms & Conditions

SANREMO Srl guarantees that the machines and the components supplied are free from defective material and / or workmanship for a period of twelve (12) months from invoice date.

The warranty does not cover any faults or malfunctions due to normal wear and tear, inappropriate use and / or use not in accordance with normal operation, the use of non-original spare parts and non-compliance with what is indicated in the use and maintenance manual delivered together with the machine, accidental events, unauthorized modifications or adaptations, tampering, anomalies caused by electrical and hydraulic systems or inadequate water filtering and insects infestation.

In the case a failure is found; labor, diagnosis fees, travel fees are not included in the warranty, nor are freight costs in cases of shipping.

During the warranty period, all parts that are deemed defective based on the judgment of SANREMO TSD (Technical Service Department) will be replaced.

SANREMO Srl has the right to make changes to its products at any time necessary for technical and / or aesthetic reasons, reserving all rights deriving from these changes.

Consult with Sanremo TSD prior to performing any warranty repairs.

Recommended Water Specifications

- Dedicated cold water line with shut-off valve
- Minimum incoming line pressure of 29 PSI / 2 BAR and max line pressure of 65 PSI / 4.5 BAR

Total Dissolved Solids (TDS):	30-150 ppm
Total Hardness:	Below 85 ppm
pH:	6.5-8
Chlorides:	5-15 ppm
<small>*Any presence of Chlorides can cause corrosion*</small>	
Total Alkalinity:	35-75 ppm
Total Chlorine:	0 ppm
Iron:	0 ppm

Water levels outside of these parameters can void warranty. Consult with a water filtration professional for water testing and recommended systems.

E-mail Form and supporting media to tech@sanremous.com

I have read and acknowledge the above

Client Name:		Client Signature:		Date:	
---------------------	--	--------------------------	--	--------------	--