

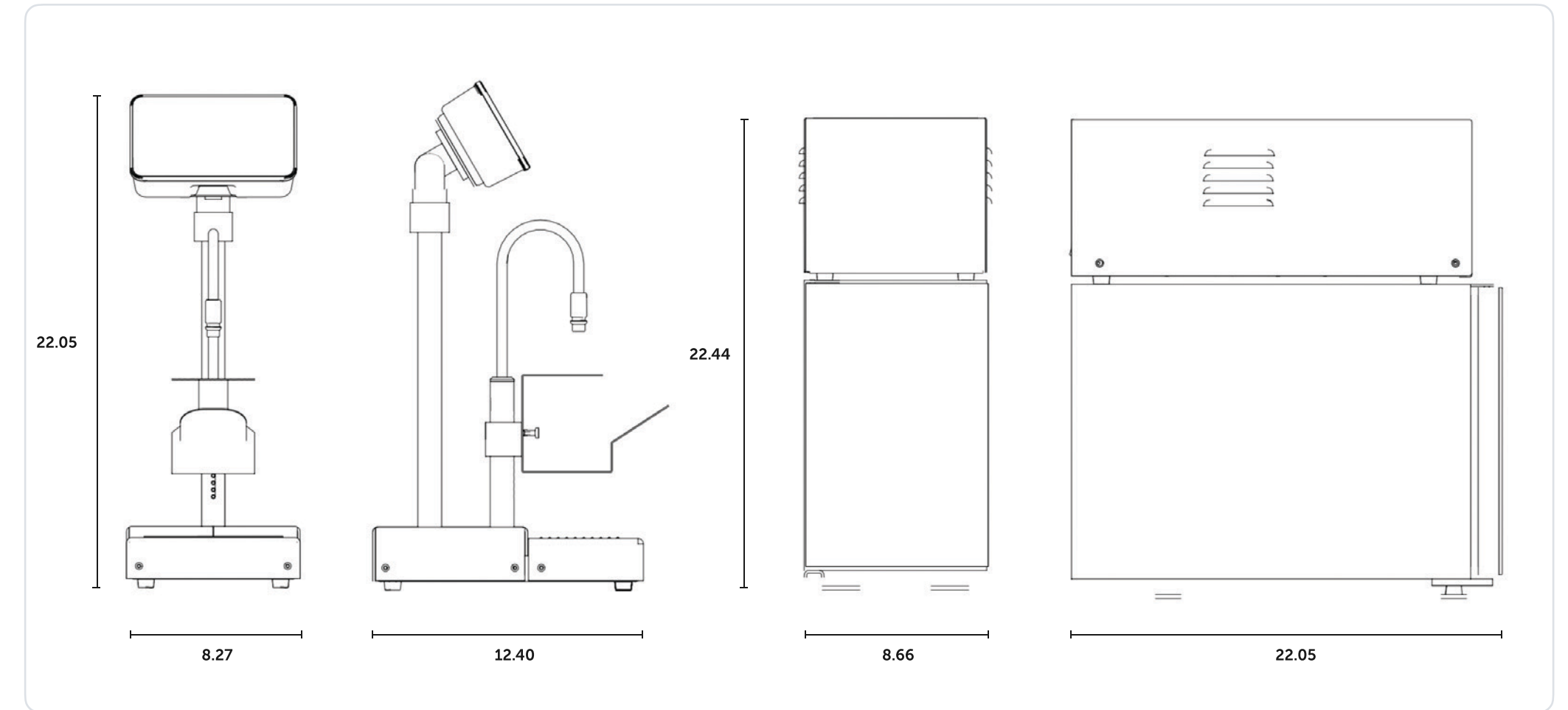
# Product details: LAF Bar

## Countertop Unit (Dispenser)

Dimensions	8.27 in x 22.05 in x 12.40 in
Weight	17.86 lbs (8.1kg)
Power	24 V connected with special cable
Power plug US	N5/20
Package Dimensions	15.4in x 11in x 25.8in
Dispense Speed	1.6 quarts in 60 seconds
Counterspace	Leave at least 7.9 inches free space behind machine for proper ventilation and connections cutout.
Environment	Humidity 80%, no condensation Temperature +41° F to +95° F.



LAF Bar – fridge and module under the counter



Dimensions (WxHxD): 8.27 in x 22.05 in x 12.40 in & 8.66 in x 22.44 in x 22.05 in

## Undercounter Unit (Milk + Refrigerator Module)

Dimensions	8.66 in x 22.44 in x 22.05 in
Weight	52.25 lbs (23.7 kg)
Power	1st: 110 V-120V, 60Hz, Max: 2,000W 16A
Power plug US	N5/20
Water Supply	Water treatment: Drinking water without undissolved solids. Mechanical filtration of 10 µm; carbonate hardness 7°dKH Connection: 3/8 Female connector Pressure > 0.1 MPa < 1 MPa
Water Drainage	yes, 1x 6mm drain tube (0.24 inches)
Package Dimensions	30.7in x 13.8in x 25.8in
Environment	Humidity 80%, no condensation Temperature +41° F to +95° F.



Standard fridge setup with 1 gallon container



Extra fridge setup: 2x 1 gallon containers



Custom setup: 1 gallon container + custom fridge