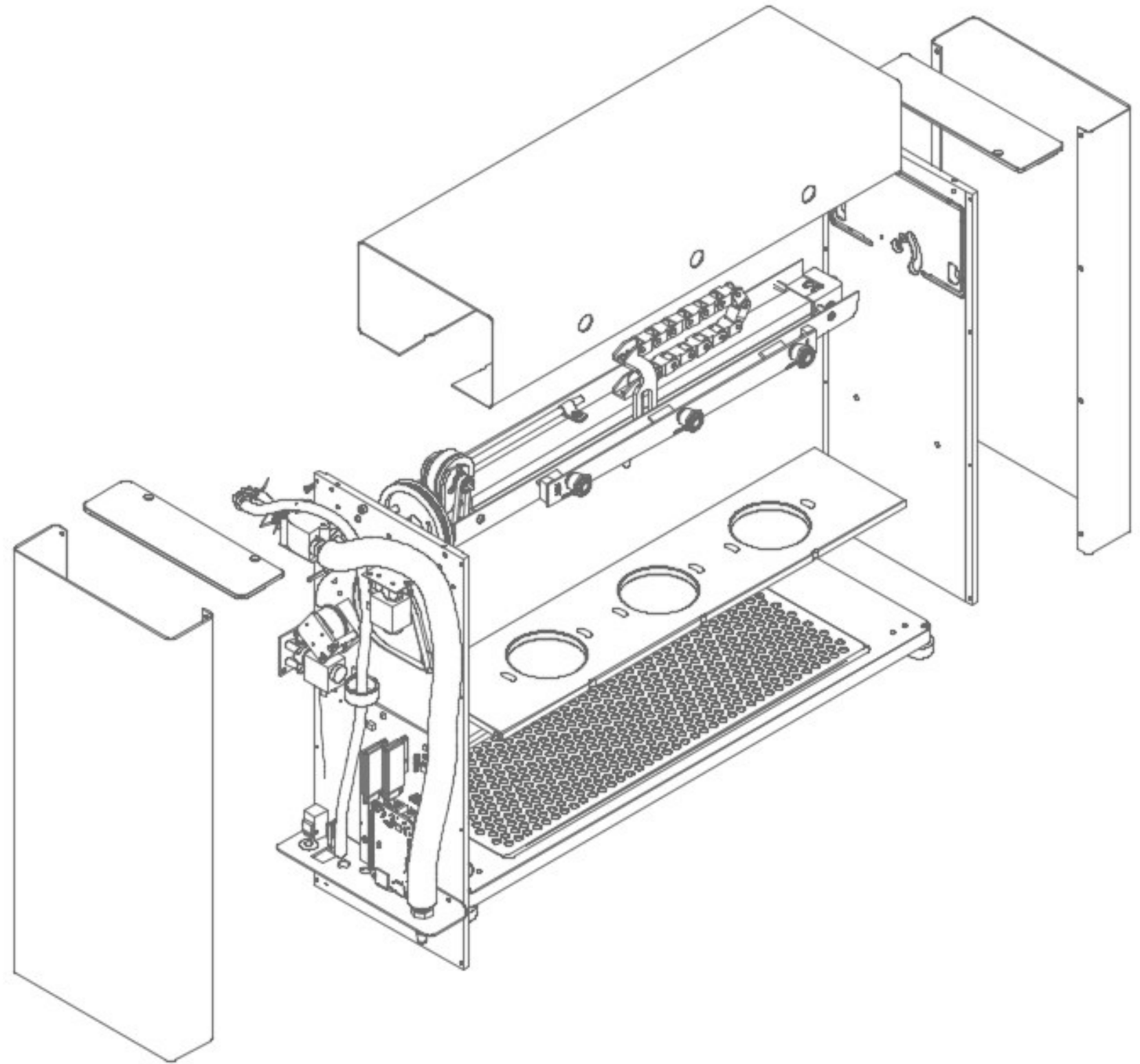


Spare Parts Catalog

Table of Contents	
Exterior Exploded Views	
2	PS1
3	PS1-3c
End Plate, Smart Side (PS1, PS1-3c)	
4	End Plate
5	End Plate, Exploded
6	Main PCB Assembly
7	Tilt Motor Assembly
Rails	
8	PS1 Rail
9	PS1 Button Backplane
10	PS1-3c Rail
11	PS1-3c Button Backplane
Pricing	
12	Spare Parts Price List



4

3

2

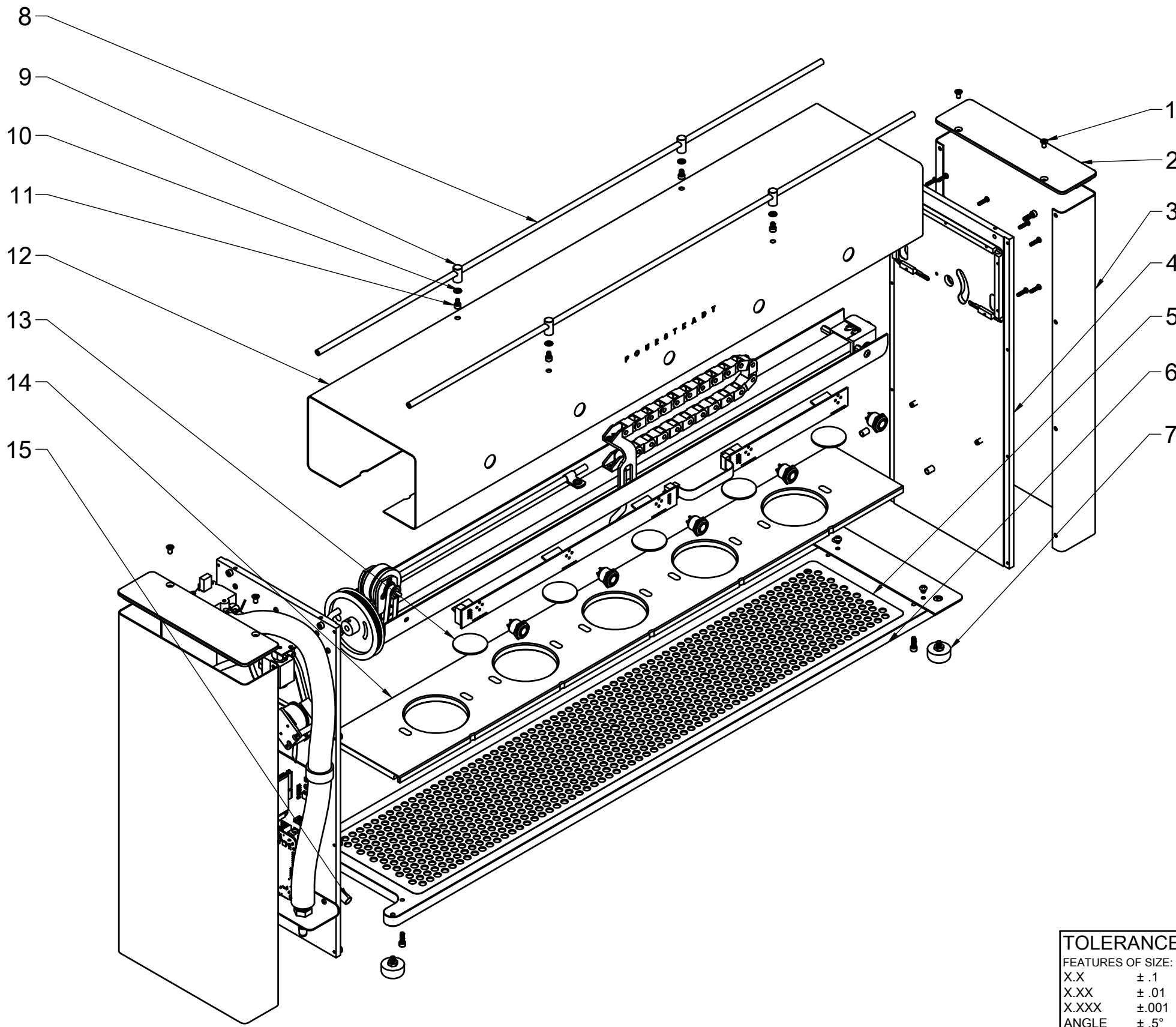
1

B

B

A

A



PARTS LIST			
ITEM	QTY	ITEM NUMBER	DESCRIPTION
1	4	1000116	TOP CAP SCREW
2	2	1000020	TOP CAP
3	2	1000021	SHEET END
4	2	1000002	END PLATE
5	1	1000022	TRAY INSERT 5
6	1	1000001	DRIP TRAY 5
7	4	1000139	FOOT
8	2	1000012	ROD 5
9	4	1000061	ROD POST
10	4	1000130	ROD POST WASHER
11	4	1000115	ROD POST SCREW
12	1	1000060	SHEET TOP 5
13	5	1000100	LED WINDOW
14	1	1000010	FILTER RACK 5
15	1	1000077	DRAIN ELBOW

P O U R S T E A D Y
STEADY EQUIPMENT CORPORATION

TOLERANCE FEATURES OF SIZE: X.X ± .1 X.XX ± .01 X.XXX ± .001 ANGLE ± .5° OTHER: ALL OVER 	ALL UNITS ARE IN INCHES. PREPARED IN ACCORDANCE WITH ASME Y14.100 STANDARDS	No. PS1-5C REV.
	INITIAL DATE CREATE Donna kirt 2/28/22	NAME: PS1-5C EXPLODED VIEW
	REVIEW APPROVE	PROPRIETARY AND CONFIDENTIAL: ALL INFORMATION WITHIN THIS DOCUMENT IS THE INTELLECTUAL PROPERTY OF STEADY EQUIPMENT CORPORATION SOLELY. THIS DOCUMENT SHALL NOT BE SHARED OR DISTRIBUTED WITHOUT THE EXPRESS WRITTEN CONSENT OF STEADY EQUIPMENT CORPORATION.

4

3

2

1

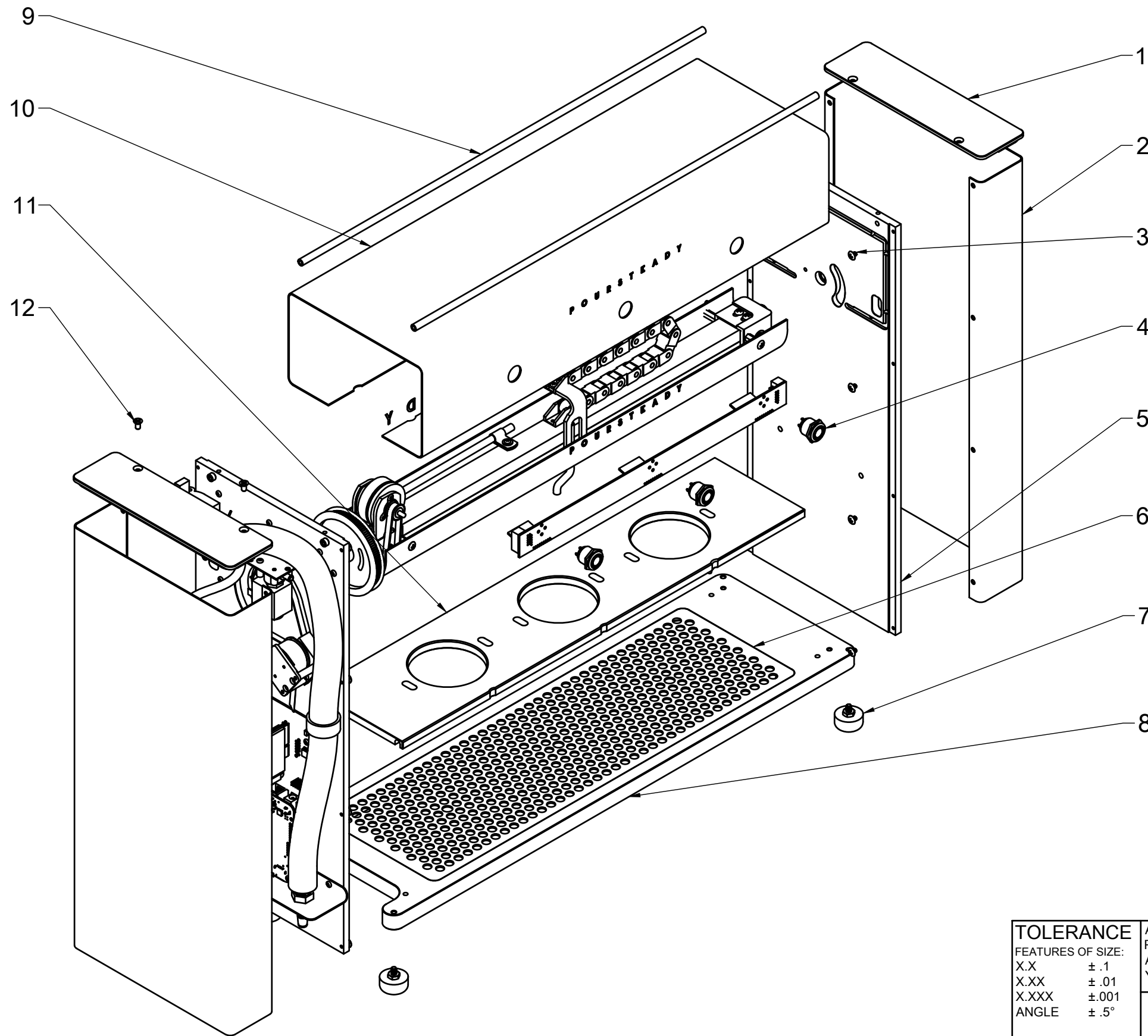
4

3


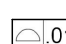
2

1

PARTS LIST			
ITEM	QTY	PART NUMBER	DESCRIPTION
1	2	1000020	TOP CAP
2	2	1000021	SHEET END
3	16	1000117	SHEET MOUNT SCREW
4	3	1000062	BUTTON
5	2	1000002	END PLATE
6	1	1000071	TRAY INSERT
7	4	1000139	FOOT
8	1	1000075	DRIP TRAY 3
9	2	1000073	ROD 3
10	1	1000076	SHEET TOP 3
11	1	1000074	FILTER RACK 3
12	4	1000116	TOP CAP SCREW



P O U R S T E A D Y
STEADY EQUIPMENT CORPORATION

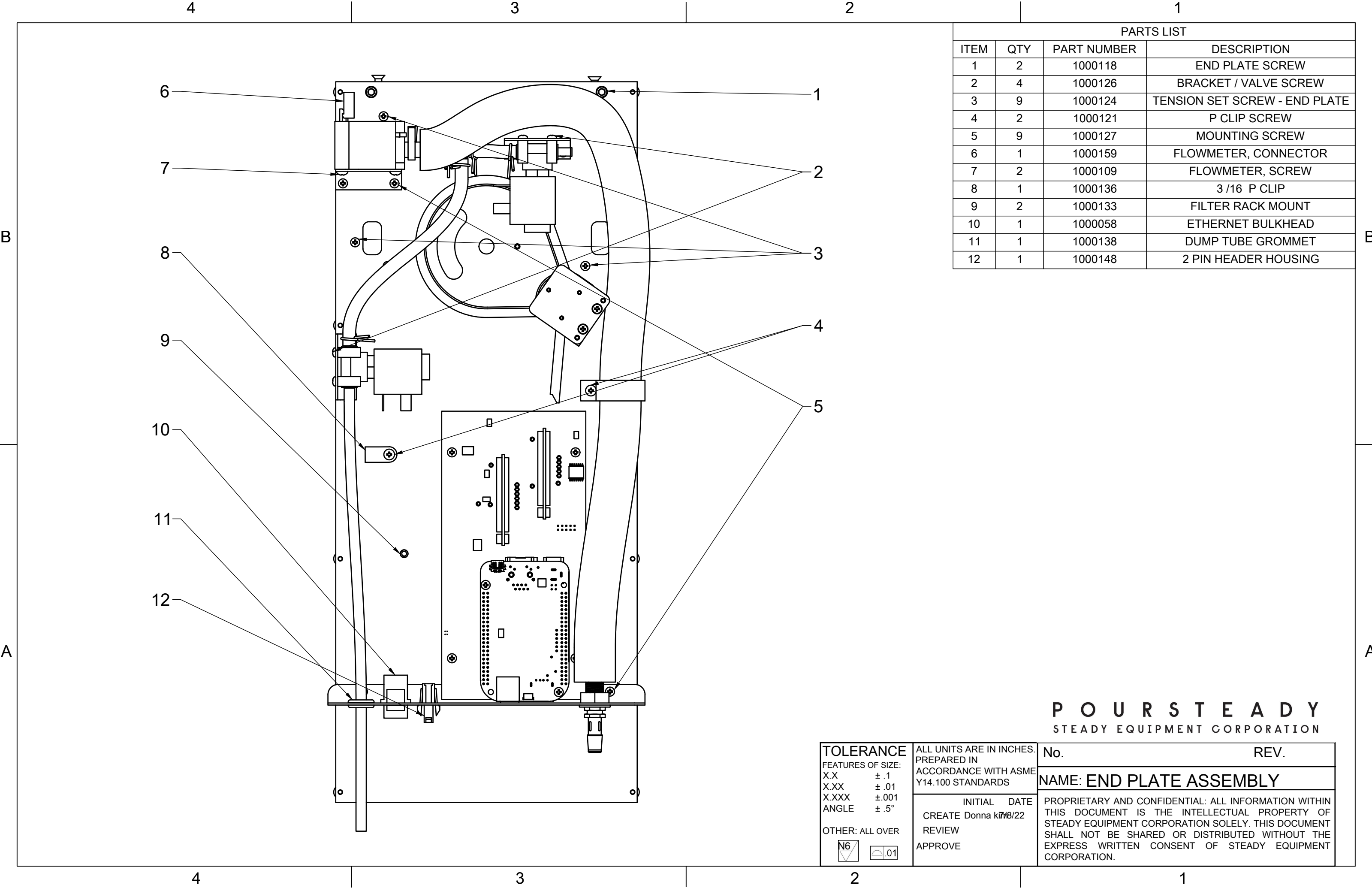
TOLERANCE FEATURES OF SIZE: X.X ± .1 X.XX ± .01 X.XXX ± .001 ANGLE ± .5° OTHER: ALL OVER  	ALL UNITS ARE IN INCHES. PREPARED IN ACCORDANCE WITH ASME Y14.100 STANDARDS	No. PS1-3C REV.
	INITIAL DATE CREATE Donna k 11/22/22 REVIEW APPROVE	NAME: PS1-3C EXPLODED PROPRIETARY AND CONFIDENTIAL: ALL INFORMATION WITHIN THIS DOCUMENT IS THE INTELLECTUAL PROPERTY OF STEADY EQUIPMENT CORPORATION SOLELY. THIS DOCUMENT SHALL NOT BE SHARED OR DISTRIBUTED WITHOUT THE EXPRESS WRITTEN CONSENT OF STEADY EQUIPMENT CORPORATION.

4

3


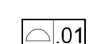
2

1



PARTS LIST			
ITEM	QTY	PART NUMBER	DESCRIPTION
1	2	1000118	END PLATE SCREW
2	4	1000126	BRACKET / VALVE SCREW
3	9	1000124	TENSION SET SCREW - END PLATE
4	2	1000121	P CLIP SCREW
5	9	1000127	MOUNTING SCREW
6	1	1000159	FLOWMETER, CONNECTOR
7	2	1000109	FLOWMETER, SCREW
8	1	1000136	3/16 P CLIP
9	2	1000133	FILTER RACK MOUNT
10	1	1000058	ETHERNET BULKHEAD
11	1	1000138	DUMP TUBE GROMMET
12	1	1000148	2 PIN HEADER HOUSING

P O U R S T E A D Y
STEADY EQUIPMENT CORPORATION

TOLERANCE FEATURES OF SIZE: X.X ± .1 X.XX ± .01 X.XXX ± .001 ANGLE ± .5° OTHER: ALL OVER  	ALL UNITS ARE IN INCHES. PREPARED IN ACCORDANCE WITH ASME Y14.100 STANDARDS	No. _____ REV. _____
	INITIAL DATE CREATE Donna k 7/8/22 REVIEW _____ APPROVE _____	NAME: END PLATE ASSEMBLY PROPRIETARY AND CONFIDENTIAL: ALL INFORMATION WITHIN THIS DOCUMENT IS THE INTELLECTUAL PROPERTY OF STEADY EQUIPMENT CORPORATION SOLELY. THIS DOCUMENT SHALL NOT BE SHARED OR DISTRIBUTED WITHOUT THE EXPRESS WRITTEN CONSENT OF STEADY EQUIPMENT CORPORATION.

4

3

2

1

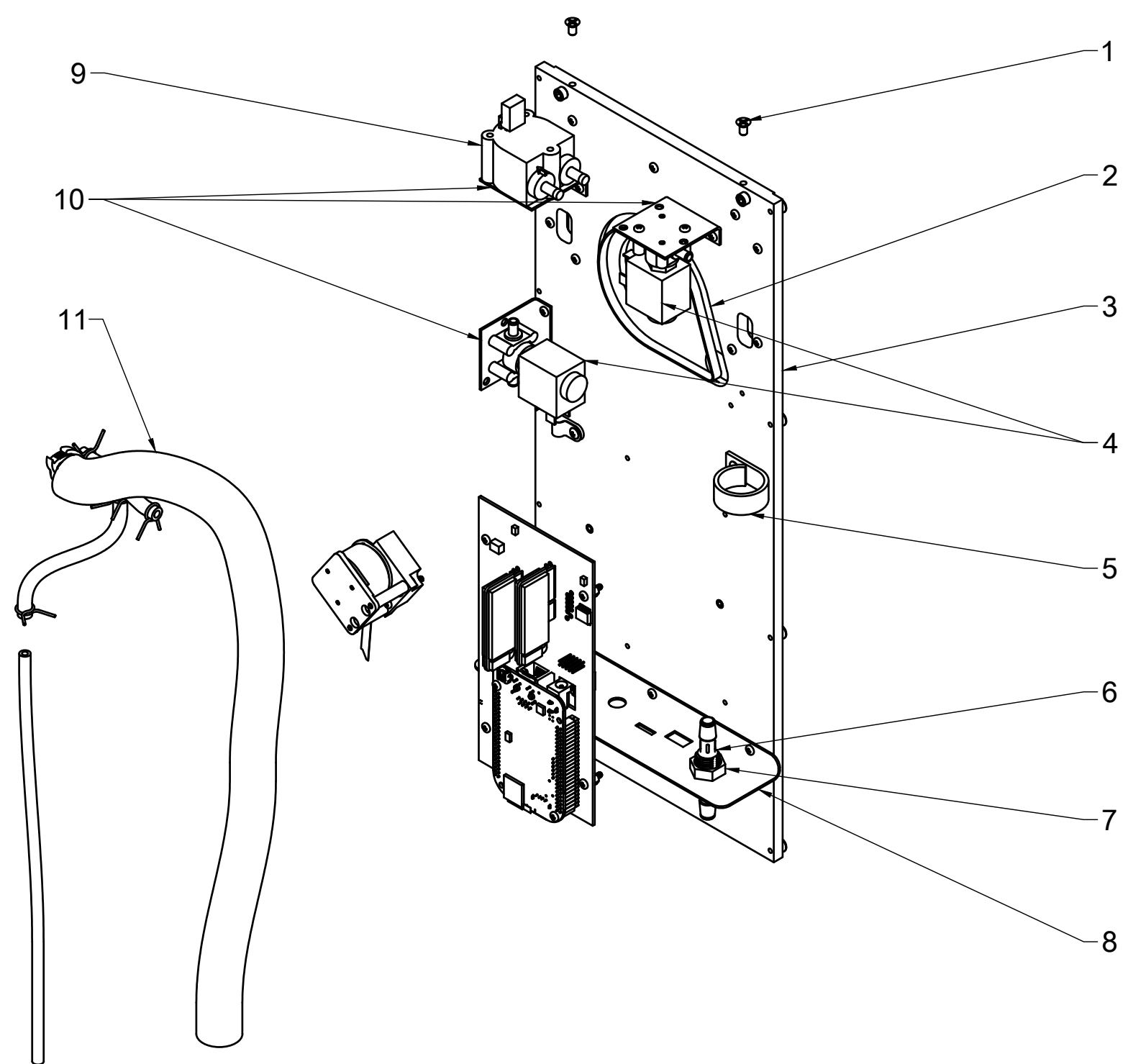
PARTS LIST			
ITEM	QTY	PART #	DESCRIPTION
1	2	1000116	TOP CAP SCREW
2	1	1000014	TILT BELT
3	1	1000002	END PLATE
4	2	1000027	VALVE
5	1	1000135	1" CLIP
6	1	1000067	FITTING, BULKHEAD
7	1	1000066	FITTING, BULKHEAD NUT
8	1	1000026	PLATE, BULKHEAD
9	1	1000028	FLOWMETER, DIGIMESA
10	3	1000024	MOUNT, VALVE + FLOW
11	1	1000078	FEED TUBING + FOAM INSULATION

B


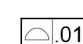
A

B

A



P O U R S T E A D Y
 STEADY EQUIPMENT CORPORATION

TOLERANCE FEATURES OF SIZE: X.X ± .1 X.XX ± .01 X.XXX ± .001 ANGLE ± .5° OTHER: ALL OVER  	ALL UNITS ARE IN INCHES. PREPARED IN ACCORDANCE WITH ASME Y14.100 STANDARDS	No. _____ REV. _____
	INITIAL DATE CREATE Donna k17/8/22 REVIEW _____ APPROVE _____	NAME: END PLATE EXPLODED VIEW PROPRIETARY AND CONFIDENTIAL: ALL INFORMATION WITHIN THIS DOCUMENT IS THE INTELLECTUAL PROPERTY OF STEADY EQUIPMENT CORPORATION SOLELY. THIS DOCUMENT SHALL NOT BE SHARED OR DISTRIBUTED WITHOUT THE EXPRESS WRITTEN CONSENT OF STEADY EQUIPMENT CORPORATION.

4

3

2

1

4

3

2

1

PARTS LIST			
ITEM	QTY	ITEM NUMBER	DESCRIPTION
1	2	1000003	IPOS 3602
2	8	1000127	MOUNTING SCREW
3	4	1000099	PCB STANDOFF
4	1	1000004	PS-0104
5	1	1000006	BEAGLEBONE BLACK
6	2	1000096	BBB STANDOFF

B

A

1 (X)

2

1 (Y)

3

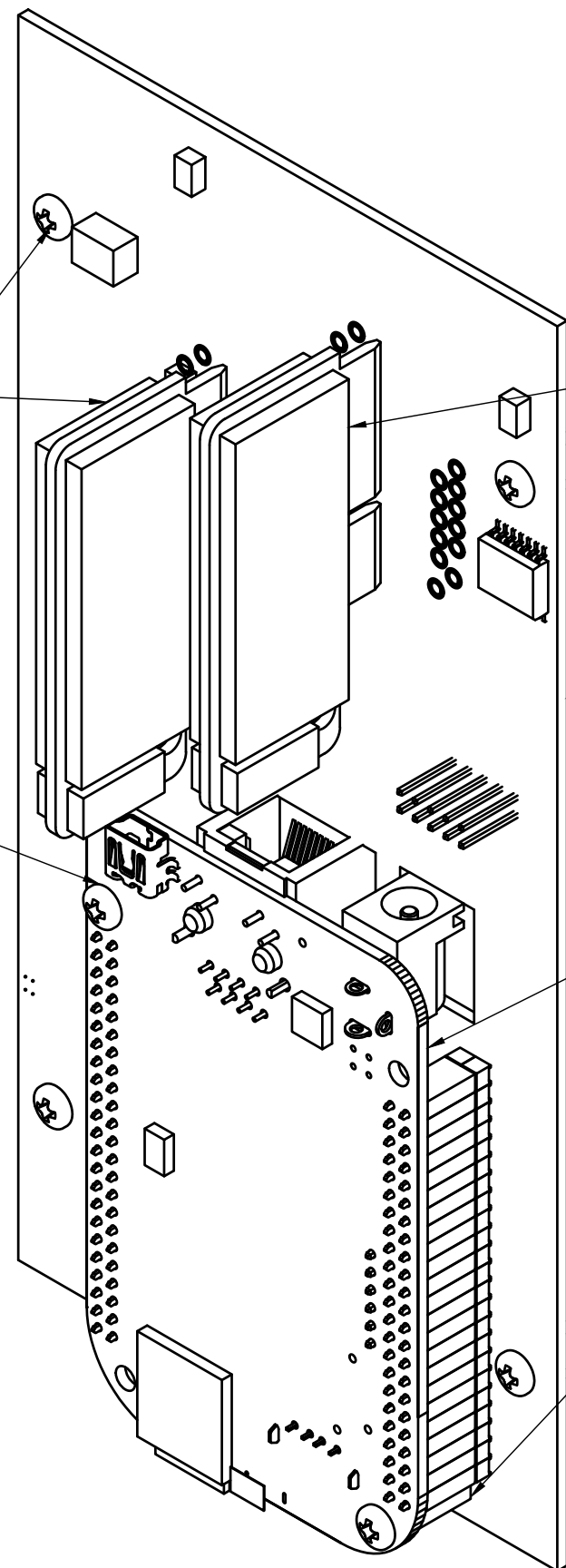
4

5



6

B

A



P O U R S T E A D Y
 STEADY EQUIPMENT CORPORATION

TOLERANCE FEATURES OF SIZE: X.X ± .1 X.XX ± .01 X.XXX ± .001 ANGLE ± .5° OTHER: ALL OVER  	ALL UNITS ARE IN INCHES. PREPARED IN ACCORDANCE WITH ASME Y14.100 STANDARDS	No. _____ REV. _____
	INITIAL DATE CREATE Donna kir 12/28/22 REVIEW _____ APPROVE _____	NAME: PS-0104 PROPRIETARY AND CONFIDENTIAL: ALL INFORMATION WITHIN THIS DOCUMENT IS THE INTELLECTUAL PROPERTY OF STEADY EQUIPMENT CORPORATION SOLELY. THIS DOCUMENT SHALL NOT BE SHARED OR DISTRIBUTED WITHOUT THE EXPRESS WRITTEN CONSENT OF STEADY EQUIPMENT CORPORATION.

4

3

2

1

4

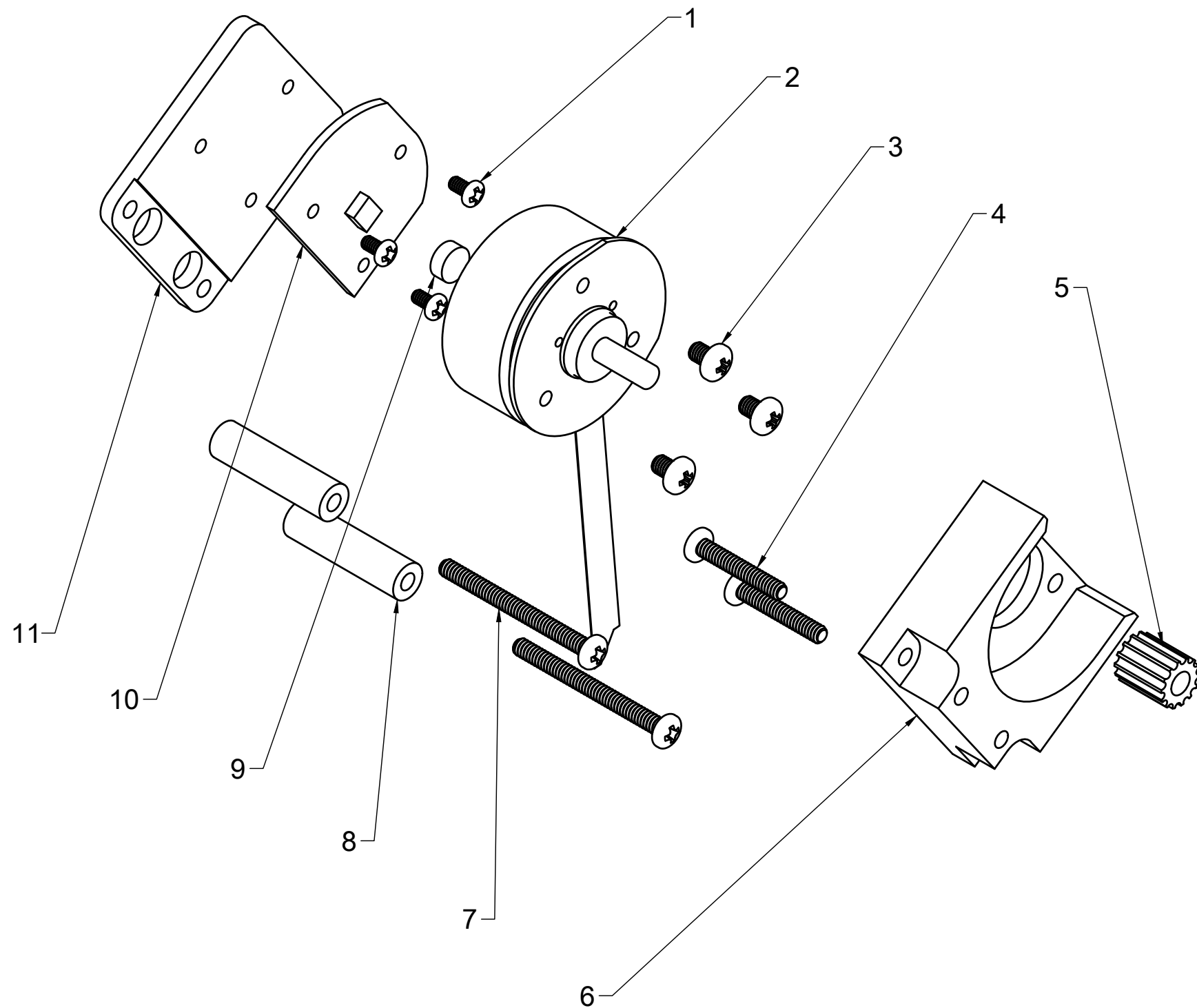
3

2

1

PARTS LIST

ITEM	QTY	PART NUMBER	DESCRIPTION
1	3	1000112	ENCODER PCB SCREW
2	1	1000016	TILT MOTOR
3	3	1000114	X, TILT MOTOR SCREW
4	2	1000122	TILT ASM MOUNT SCREW
5	1	1000019	TILT PULLEY SMALL
6	1	1000017	TILT MOTOR MOUNT
7	2	1000128	TILT ENCODER MOUNT SCREW
8	2	1000097	TILT ENCODER STANDOFF
9	1	1000005	AMS MAGNET
10	1	1000009	TILT ENCODER
11	1	1000015	TILT ENCODER MOUNT



P O U R S T E A D Y
 STEADY EQUIPMENT CORPORATION

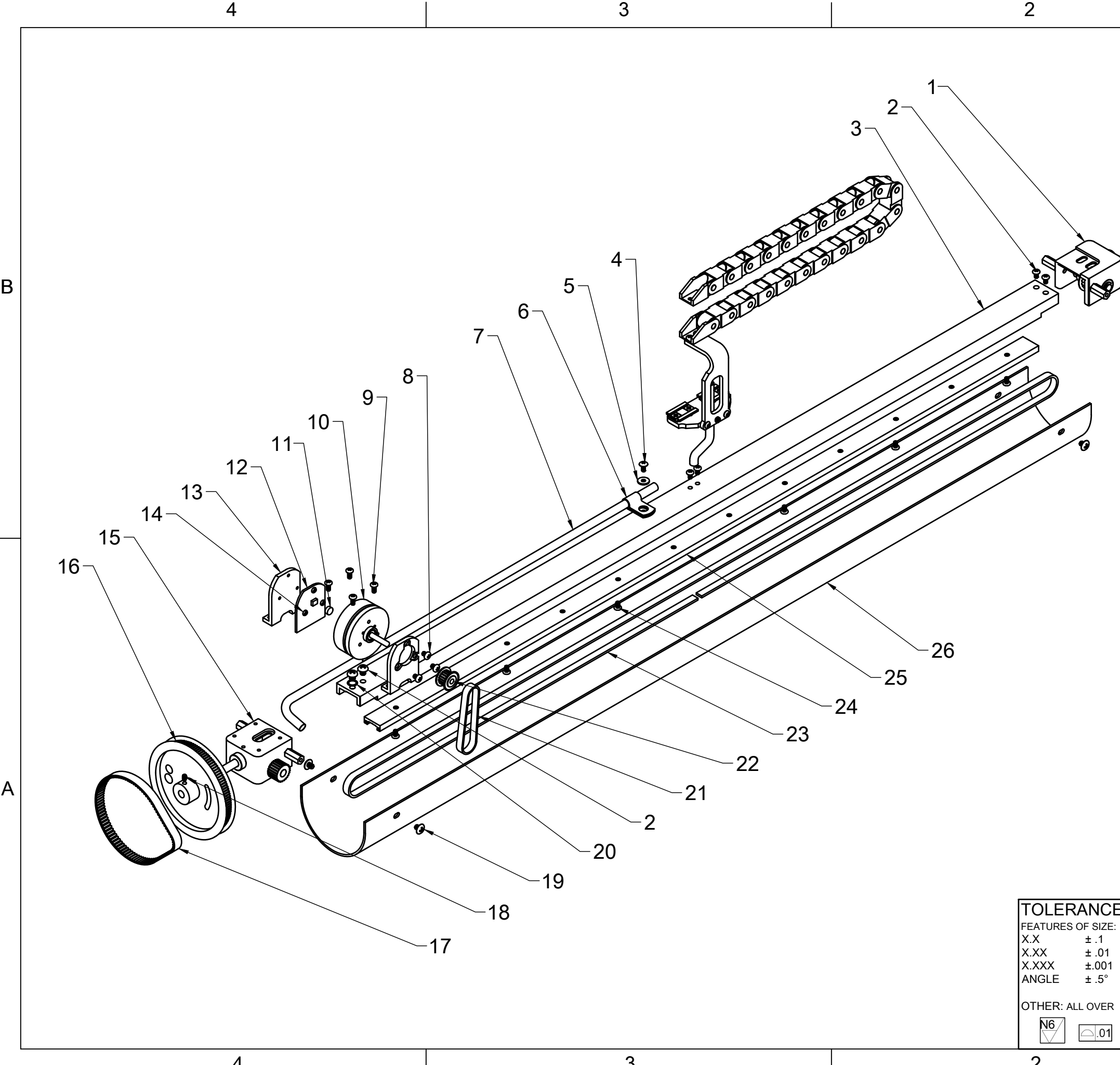
TOLERANCE FEATURES OF SIZE: X.X ± .1 X.XX ± .01 X.XXX ± .001 ANGLE ± .5° OTHER: ALL OVER 	ALL UNITS ARE IN INCHES. PREPARED IN ACCORDANCE WITH ASME Y14.100 STANDARDS	No. _____ REV. _____
	INITIAL DATE CREATE Donna k 7/8/22 REVIEW _____ APPROVE _____	NAME: TILT MOTOR MAG EXPL. PROPRIETARY AND CONFIDENTIAL: ALL INFORMATION WITHIN THIS DOCUMENT IS THE INTELLECTUAL PROPERTY OF STEADY EQUIPMENT CORPORATION SOLELY. THIS DOCUMENT SHALL NOT BE SHARED OR DISTRIBUTED WITHOUT THE EXPRESS WRITTEN CONSENT OF STEADY EQUIPMENT CORPORATION.

4

3

2

1



PARTS LIST			
ITEM	QTY	ITEM NUMBER	DESCRIPTION
1	1		RAIL END IDLER ASSEMBLY
2	4	1000110	RAIL END SCREW
3	1	1000043	RAIL TUBE 5
4	1	1000121	P CLIP SCREW
5	1	1000132	FENDER WASHER
6	1	1000137	GALVANIZED STEEL LOOP CLAMP
7	1	1000169	RAIL FLOW TUBE 5
8	3	1000114	X TILT MOTOR SCREW
9	4	1000126	BRACKET / VALVE SCREW
10	1	1000030	X MOTOR
11	1	1000005	AMS MAGNET
12	1	1000031	CABLE ASSEMBLY, X MOTOR
13	1	1000086	X ENCODER BRACKET
14	3	1000112	ENCODER PCB SCREW
15	1		RAIL END MOTOR ASSEMBLY
16	1	1000018	TILT PULLEY LARGE
17	1	1000014	TILT BELT
18	1	1000120	TILT PULLEY SET SCREW
19	4	1000117	SHEET MOUNT SCREW
20	1	1000143	6MM SHIM
21	1	1000034	X JACKSHAFT BELT
22	1	1000033	X MOTOR PULLEY
23	1	1000042	X BELT MAIN
24	6	1000127	MOUNTING SCREW
25	1	1000044	IGUS RAIL 5
26	1	1000023	RAIL COVER 5

P O U R S T E A D Y
STEADY EQUIPMENT CORPORATION

TOLERANCE FEATURES OF SIZE: X.X ± .1 X.XX ± .01 X.XXX ± .001 ANGLE ± .5° OTHER: ALL OVER 	ALL UNITS ARE IN INCHES. PREPARED IN ACCORDANCE WITH ASME Y14.100 STANDARDS	No.PS1-5C REV.
	INITIAL DATE CREATE Donna kit/28/22 REVIEW APPROVE	NAME:5C RAIL EXPLODED PROPRIETARY AND CONFIDENTIAL: ALL INFORMATION WITHIN THIS DOCUMENT IS THE INTELLECTUAL PROPERTY OF STEADY EQUIPMENT CORPORATION SOLELY. THIS DOCUMENT SHALL NOT BE SHARED OR DISTRIBUTED WITHOUT THE EXPRESS WRITTEN CONSENT OF STEADY EQUIPMENT CORPORATION.

4

3

2

1

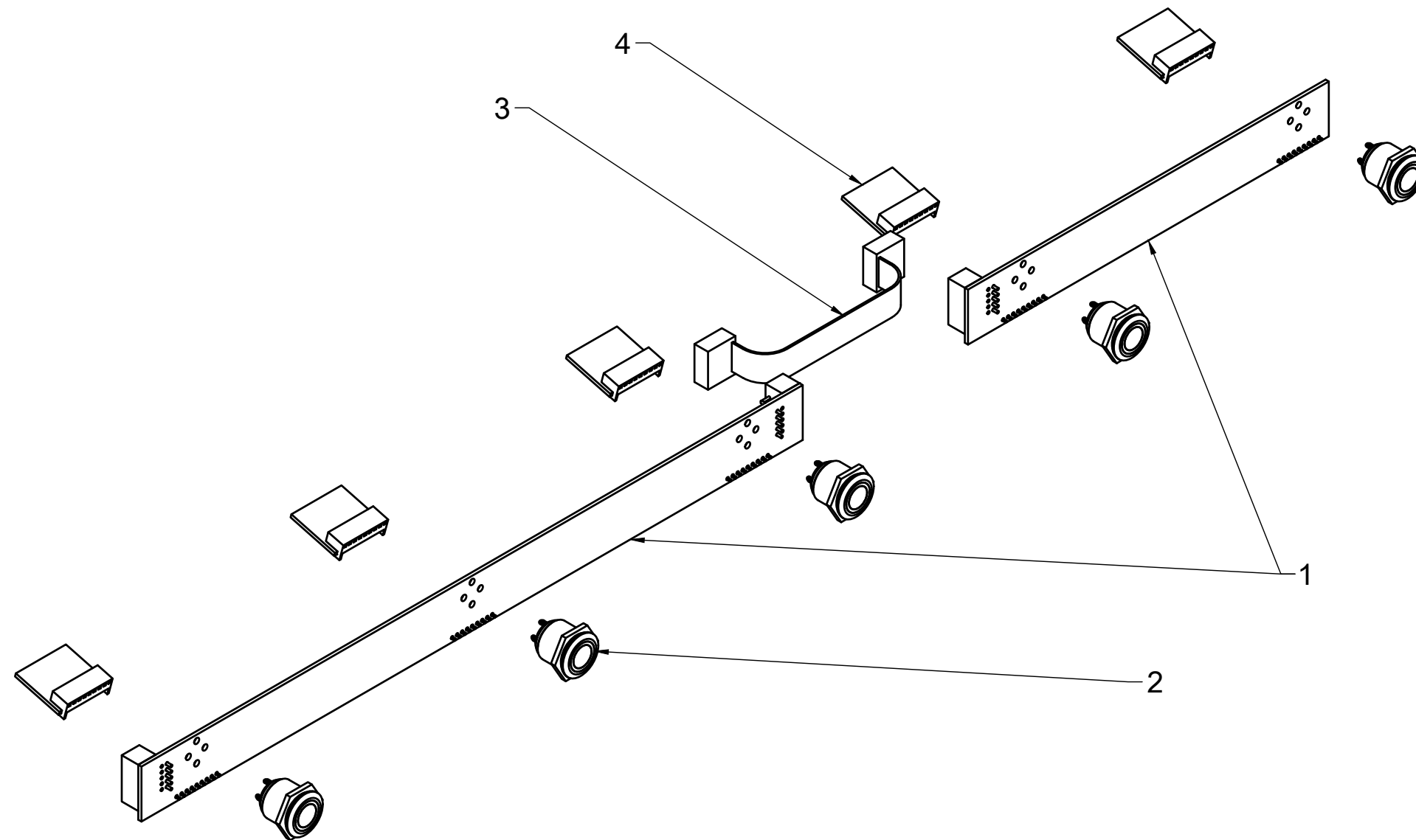
PARTS LIST			
ITEM	QTY	ITEM NUMBER	DESCRIPTION
1	2	100063	PS-0106
2	5	100062	BUTTON
3	1	1000170	RIBBON, SHORT
4	5	100064	PS-0101

B


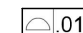
B

A

A



P O U R S T E A D Y
STEADY EQUIPMENT CORPORATION

TOLERANCE FEATURES OF SIZE: X.X ± .1 X.XX ± .01 X.XXX ± .001 ANGLE ± .5° OTHER: ALL OVER  	ALL UNITS ARE IN INCHES. PREPARED IN ACCORDANCE WITH ASME Y14.100 STANDARDS	No. PS1-5C REV.
	INITIAL DATE CREATE Donna kir 12/28/22 REVIEW APPROVE	NAME: 5C BUTTON ASSEMBLY PROPRIETARY AND CONFIDENTIAL: ALL INFORMATION WITHIN THIS DOCUMENT IS THE INTELLECTUAL PROPERTY OF STEADY EQUIPMENT CORPORATION SOLELY. THIS DOCUMENT SHALL NOT BE SHARED OR DISTRIBUTED WITHOUT THE EXPRESS WRITTEN CONSENT OF STEADY EQUIPMENT CORPORATION.

4

3

2

1

4

3

2

1

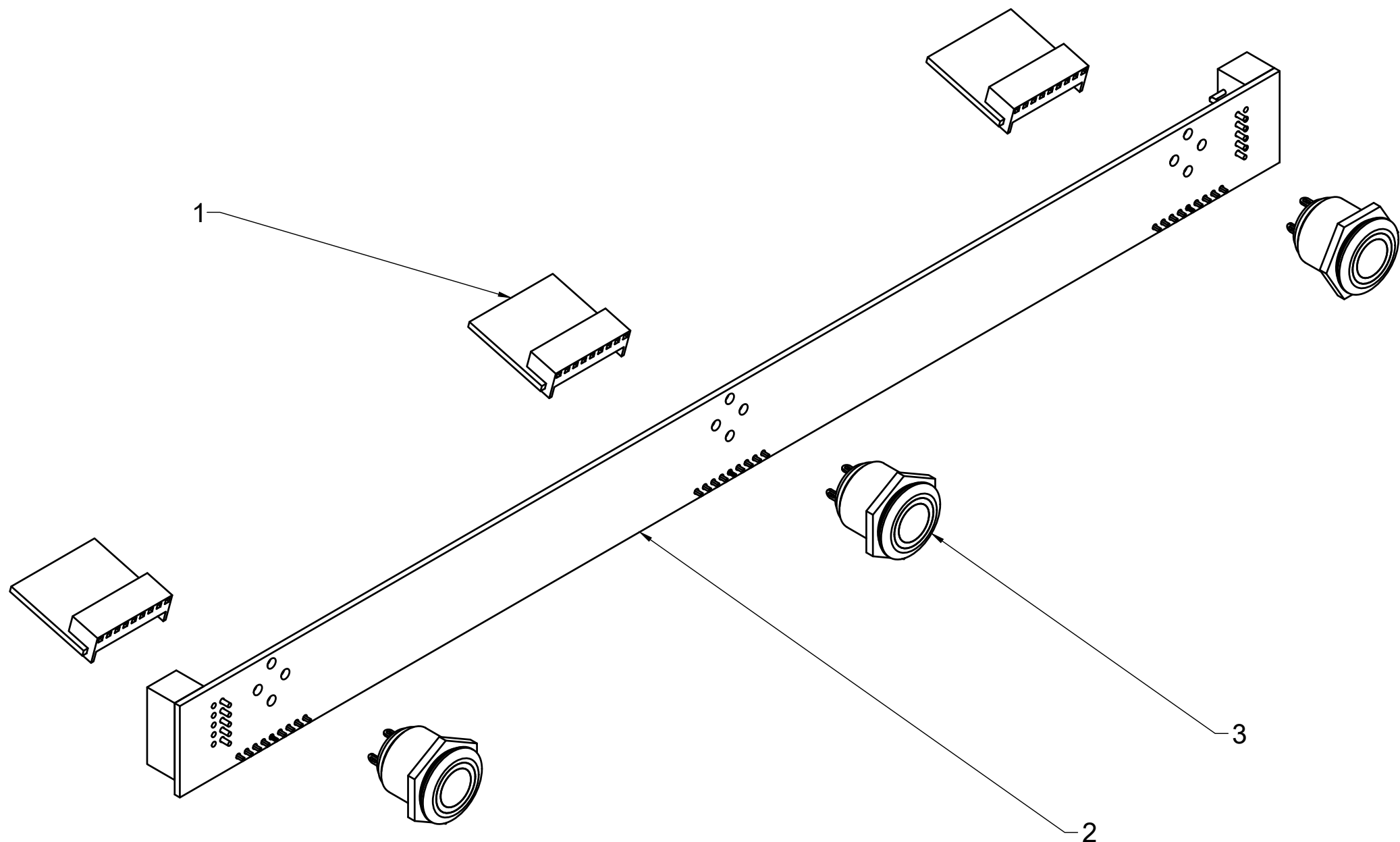
PARTS LIST			
ITEM	QTY	ITEM NUMBER	DESCRIPTION
1	3	1000064	PS-0101
2	1	1000063	PS-0106
3	3	1000062	BUTTON

B



B

A

A



P O U R S T E A D Y
STEADY EQUIPMENT CORPORATION

TOLERANCE FEATURES OF SIZE: X.X ± .1 X.XX ± .01 X.XXX ± .001 ANGLE ± .5° OTHER: ALL OVER  	ALL UNITS ARE IN INCHES. PREPARED IN ACCORDANCE WITH ASME Y14.100 STANDARDS	No. PS1-3C REV.
	INITIAL DATE CREATE Donna kirt 12/22 REVIEW APPROVE	NAME: 3C BUTTON ASSEMBLY PROPRIETARY AND CONFIDENTIAL: ALL INFORMATION WITHIN THIS DOCUMENT IS THE INTELLECTUAL PROPERTY OF STEADY EQUIPMENT CORPORATION SOLELY. THIS DOCUMENT SHALL NOT BE SHARED OR DISTRIBUTED WITHOUT THE EXPRESS WRITTEN CONSENT OF STEADY EQUIPMENT CORPORATION.

4

3

2

1

**POURSTEADY SPARE PARTS PRICE LIST
EFFECTIVE FEBRUARY 01, 2023**

Part Number	Name	Description	Distributor Price	Retail Price	Subassembly	Stock	QTY PS1-5c	QTY PS1-3c
1000001	drip tray 5		\$495.00	\$990.00			1	
1000001BL	drip tray 5 black		\$501.00	\$1,002.00			1	
1000002	end plate		\$255.30	\$510.60			2	2
1000002BL	end plate black		\$250.05	\$500.10			2	2
1200001	controller PCB assembly	2x iPos3602, 1x PS-0104, 1x beaglebone black	\$1,266.00	\$2,532.00	x		1	1
1000003	Motor Controller	iPos 3602	\$425.10	\$850.20			2	2
1000004	Main PCB	PS-0104	\$183.30	\$366.60		x	1	1
1000005	AMS Magnet		\$2.85	\$5.70			1	1
1000006	beaglebone black		\$157.50	\$315.00		x	1	1
1000007	cable assembly, flowmeter		\$15.00	\$30.00		x	1	1
1000008	cable assembly, marco ext		\$18.00	\$36.00		x	1	1
1200002	tilt motor assembly	1x tilt motor, 1x tilt encoder mount, 1x tilt motor mount, 1x tilt motor pulley, 1x PS-0105_tilt_asm, PLUS LABOR	\$466.42	\$932.84	x		1	1
1000009	cable assembly, tilt encoder	cable assembly, tilt encoder	\$71.07	\$142.14			1	1
1000010	filter rack 5		\$237.00	\$474.00			1	
1000010BL	filter rack 5 black		\$243.00	\$486.00			1	
1000011	power supply, USA 60W		\$57.15	\$114.30			1	1
1000012	rod 5		\$41.22	\$82.44			2	
1000014	tilt belt		\$15.18	\$30.36			1	1
1000015	tilt encoder mount		\$17.25	\$34.50			1	1
1000016	tilt motor		\$214.50	\$429.00			1	1
1000017	tilt motor mount		\$38.25	\$76.50			1	1
1000018	tilt pulley large		\$58.65	\$117.30			1	1
1000019	tilt pulley small		\$25.35	\$50.70			1	1
1000020	top cap		\$38.25	\$76.50			2	2
1000020BL	top cap black		\$38.25	\$76.50			2	2

**POURSTEADY SPARE PARTS PRICE LIST
EFFECTIVE FEBRUARY 01, 2023**

Part Number	Name	Description	Distributor Price	Retail Price	Subassembly	Stock	QTY PS1-5c	QTY PS1-3c
1000021	sheet end	stainless steel <i>powder coat pricing available upon request</i>	\$96.60	\$193.20			2	2
1000022	drip tray insert 5		\$170.85	\$341.70			1	
1200003	top cover assembly PS1-5c (stainless steel)	1x sheet top 5, 4x posts, 2x PS-0106, 5x PS-0101, 5x button, PLUS LABOR	\$921.75	\$1,843.50	x		1	
1200004	top cover assembly PS1-3c (stainless steel)	1x sheet top 3, 1x PS-0106, 3x PS-0101, 3x button, PLUS LABOR	\$576.00	\$1,152.00	x			1
1000023	rail cover 5		\$112.65	\$225.30			1	
1000023BL	rail cover 5 black		\$124.05	\$248.10			1	
1000024	mount, valve + flow		\$9.00	\$18.00			3	3
1000025	plate, bulkhead opposite		\$16.80	\$33.60			1	1
1000026	plate, bulkhead		\$32.85	\$65.70			1	1
1000027	valve		\$90.84	\$181.68		x	2	2
1000028	flowmeter, digmesa	includes replacement hose clamps	\$81.00	\$162.00		x	1	1
1000029	PS1-5c Box		\$20.82	\$41.64		x	1	
1200005	rail assembly PS1-5c	misc parts, price includes x motor	\$1,419.46	\$2,838.92	x		1	
1200006	rail assembly PS1-3c	misc parts, price includes x motor	\$1,334.98	\$2,669.96	x			1
1000030	x motor		\$191.70	\$383.40			1	1
1000031	cable assembly, X motor		\$88.80	\$177.60			1	1
1000085	x motor bracket		\$20.55	\$41.10			1	1
1000086	x encoder bracket		\$20.55	\$41.10			1	1
1000033	x motor pulley		\$29.94	\$59.88			1	1
1000034	x jackshaft belt		\$13.14	\$26.28			1	1
1000035	x jackshaft pulley		\$29.73	\$59.46			1	1
1000036	rail shaft motor		\$14.13	\$28.26			1	1
1000037	rail shaft idler		\$22.68	\$45.36			1	1
1000083	rail end idler		\$42.00	\$84.00			1	1

**POURSTEADY SPARE PARTS PRICE LIST
EFFECTIVE FEBRUARY 01, 2023**

Part Number	Name	Description	Distributor Price	Retail Price	Subassembly	Stock	QTY PS1-5c	QTY PS1-3c
1000084	rail end motor		\$42.00	\$84.00			1	1
1000039	bearing, 6mmx13mm		\$13.29	\$26.58			6	6
1000040	rail pivot shaft		\$22.26	\$44.52			1	1
1000041	x rail pulley		\$19.74	\$39.48			2	2
1000042	x belt main		\$35.61	\$71.22			1	1
1000043	rail tube 5		\$60.00	\$120.00			1	
1000081	rail tube 3		\$54.00	\$108.00				1
1000044	IGUS rail 5		\$104.16	\$208.32			1	
1000087	IGUS rail 3		\$63.21	\$126.42				1
1000045	standoff, rail cover		\$0.84	\$1.68			4	4
1000046	IGUS rail block		\$13.47	\$26.94			2	2
1000047	carriage base		\$50.25	\$100.50			1	1
1000048	belt clamp		\$10.50	\$21.00			1	1
1000049	carriage chain connector		\$34.35	\$68.70			1	1
1000051	e-chain bracket pair		\$13.50	\$27.00			1	1
1000052	e-chain link	21 per PS1 14 per PS1-3c	\$1.59	\$3.18			21	14
1000053	packaging, end caps, pair		\$29.76	\$59.52		x	1	1
1000054	panda wifi adapter		\$50.00	\$100.00		x	1	1
1000055	SD card		\$16.05	\$32.10			1	1
1000056	USB extension		\$25.47	\$50.94			1	1
1000057	ethernet cable, 1'		\$3.03	\$6.06			1	1
1000058	ethernet bulkhead		\$8.79	\$17.58			1	1
1000059	power cord, USA		\$8.85	\$17.70			1	1
1000060	sheet top 5	stainless steel powder coat pricing available upon request	\$338.85	\$677.70			1	
1000061	rod post		\$16.17	\$32.34			4	
1000062	button		\$29.28	\$58.56			5	3

**POURSTEADY SPARE PARTS PRICE LIST
EFFECTIVE FEBRUARY 01, 2023**

Part Number	Name	Description	Distributor Price	Retail Price	Subassembly	Stock	QTY PS1-5c	QTY PS1-3c
1000063	PS-0106	button backplane	\$34.41	\$68.82			2	1
1000064	PS-0101	button pcb light	\$30.60	\$61.20			5	3
1000066	fitting, bulkhead nut		\$1.44	\$2.88			1	1
1000067	fitting, bulkhead		\$9.00	\$18.00			1	1
1000068	fitting, reducer		\$5.25	\$10.50			1	1
1000069	fitting, tee		\$6.45	\$12.90			1	1
1000070	PS1-3C box		\$18.32	\$36.64		x		1
1000071	drip tray insert 3		\$101.55	\$203.10				1
1000072	rail cover 3		\$86.25	\$172.50				1
1000072BL	rail cover 3 black		\$86.25	\$172.50				1
1000073	rod 3		\$30.57	\$61.14				2
1000074	filter rack 3		\$172.50	\$345.00				1
1000074BL	filter rack 3 black		\$177.75	\$355.50				1
1000075	drip tray 3		\$398.25	\$796.50				1
1000075BL	drip tray 3 black		\$402.75	\$805.50				1
1000076	sheet top 3	stainless steel <i>powder coat pricing available upon request</i>	\$211.95	\$423.90				1
1000077	drain elbow		\$4.26	\$8.52			1	1
1000078	feed tubing + foam insulation		\$4.14	\$8.28		x	1	1
1000079	insulation		\$10.32	\$20.64		x	1	1
1000080	dump tubing		\$2.73	\$5.46			1	1
1000082	power supply, CE Standards	CE power supply	\$97.29	\$194.58				
1000173	power supply extension	CE Power Supply Extender	\$11.28	\$22.56			1	1
1000139	foot and foot nut assembly		\$2.10	\$4.20		x	4	4
1000117	sheet metal mount screws	QTY 12	\$0.51	\$1.02			1	1

**POURSTEADY SPARE PARTS PRICE LIST
EFFECTIVE FEBRUARY 01, 2023**

Part Number	Name	Description	Distributor Price	Retail Price	Subassembly	Stock	QTY PS1-5c	QTY PS1-3c
1000094	rail tubing silicone		\$3.12	\$6.24			1	1
1200007	sheet clamp set	per set: 2 long, 4 medium, 4 short	\$84.30	\$168.60	x		1	1
1000090	restrictor		\$9.99	\$19.98			1	1
1000108	nozzle		\$4.50	\$9.00			1	1