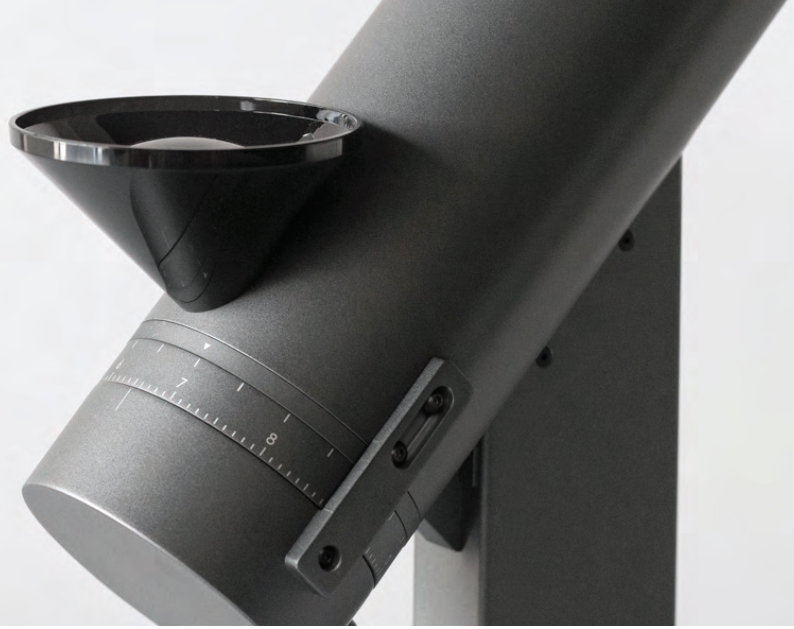




ACAIA ORBIT

Our first-ever coffee grinder, the Orbit lands with unique features to meet your coffee brewing needs. The grinder is single-dosing friendly with features like an automatic cleaning purge that helps to reduce retention when grinding. If you prefer to pair with the latest Acaia Lunar, you can also activate Orbit's grind-by-weight function and enjoy an effortless dosing experience. It is built and designed with Acaia's proprietary technology from the motor driver to the companion app, offering advanced control of RPM and overall energy savings.



FEATURES

SINGLE-DOSE

Weigh your whole beans and grind with minimum retention. Pull a perfect shot without waste.

64 MM BURRS

Available with Mazzer 33M 64 mm burrs or SSP Multi-Purpose burrs, the Orbit is perfect for espresso and filter brewing.

ADJUSTABLE RPM

Use the Orbit App to customize your grinding experience: adjust the grind speed between 600-1500 RPM, swap the Orbit button actions, save profiles for grind-by-weight or grind-by-time, and more.

ORBIT TOLERANCES

All Orbit parts are individually measured and tested during the quality control process. This is to ensure they meet our precise standards and allow for the best burr alignment. For example, our grinders must meet or exceed the following:
Burr mounting surfaces - 10 microns in flatness
Motor drive shafts - 20 microns in concentricity
Other critical parts - 20 micron tolerances

GRIND-BY-WEIGHT

Connect your Lunar scale to the Orbit. Grind precisely the right amount every time.

STEPLESS ADJUSTMENT

Orbit's 0.75 mm thread pitch allows you to fine-tune your grind settings to dial in your shot accurately, from light roast to dark roast coffee.

ENERGY EFFICIENT

Developed with our in-house technology over the years, Orbit is designed to minimize energy consumption while delivering exceptional industrial performance and smart grinding.

BURR ALIGNMENT

Following assembly, we conduct thorough testing on each grinder to guarantee optimal functionality, alignment, and grind quality. We use optical imaging software to assess ground coffee for an expected level of uniformity, and measure the distance between the burr lock point and burr touch point. Acceptable distances are < 1.5 marks for Mazzer 33M burrs and < 1 mark for SSP Multi-purpose burrs.



ORBIT CONTROL WITH THE APP

Experience precision and flexibility with the Acaia Orbit Grinder, enhanced by our user-focused Orbit App, allowing you to control your grind from your device.

Revolutionary RPM Profile

Craft an RPM profile with two speeds, smoothing the transition from one stage to the next for refined extraction.

Customizable Button Actions

Configure responsive buttons to perform specific functions like Pulse, Purge, and Reverse-And-Adjust for total control of your grinder's operation.

Personalize Your Purge

Customize purge duration and speed, ensuring every grind cycle starts optimally for consistent, flavorful results.

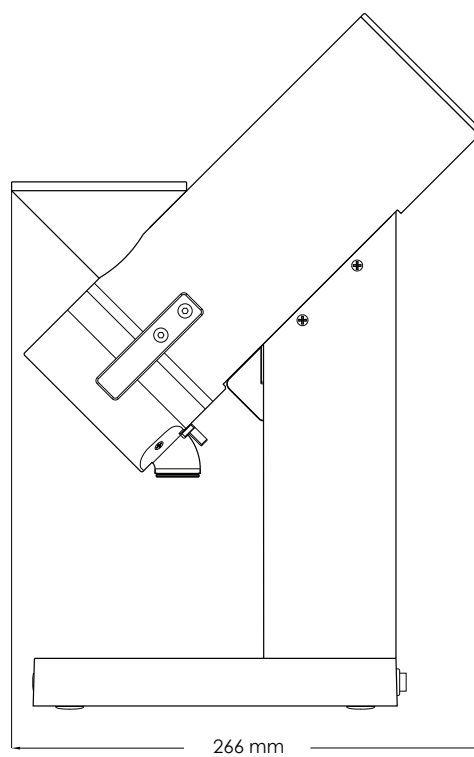
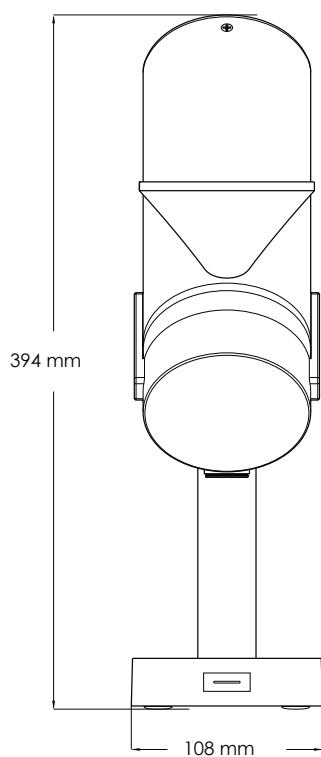
Adjustable Auto-Stop Function

This convenient feature stops the grinder upon completion, providing precision for any grind size, from espresso to drip coffee, without constant monitoring.

The Acaia Orbit App offers a range of settings to fine-tune the grinding process according to your exact preferences. From managing workflow to tweaking functionality, our aim is to make your grinding experience effortless yet precise. We're here to empower you to unlock the full potential of your coffee.

PRODUCT SPECIFICATIONS

Model	AOT004 / AOT005
Burrs	Mazzer 0033M / SSP Multi-Purpose
Product Weight	5600 g \pm 10 g
Product Dimensions	W: 108 mm L: 266 mm H: 394 mm
Rated Voltage	100 V - 240 V
Frequency	50 / 60 Hz
Motor	200 W Brushless DC Motor
Material	Aluminum, PC, Stainless Steel
Operating Ambient Temperature	0 - 40 °C
RPM Profile	600-1500 Adjustable RPM Profile
Duty Cycle	Recommended duty cycle for Orbit is 60 s running time with a rest time of 30 s
Connectivity	Bluetooth 5.0
Warranty	1 Year



PACKAGE INFORMATION

Model	AOT004 / AOT005
Burrs	Mazzer 0033M / SSP Multi-Purpose
Carton Dimensions	W: 500 mm H: 425 mm D: 260 mm
Carton Gross Weight	9.14 kg
CBM	0.053
EAN Code	0697566054211 / 0697566054228
UPC Code	697566054211 / 697566054228