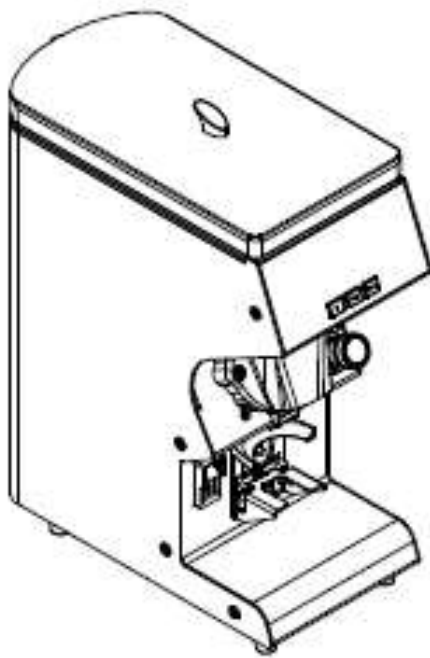


SPARE PARTS BOOK

MYONE



13/07/2023

Victoria Arduino

INSPIRED BY YOUR PASSION.



INSPIRED BY YOUR PASSION.

- T.01 **GRINDERS PARTS**
PARTI MACINADOSATORE

- T.02 **MOTOR + ELECTRONICS PARTS**
PARTI MOTORE + ELETTRONICA

» LEGEND :

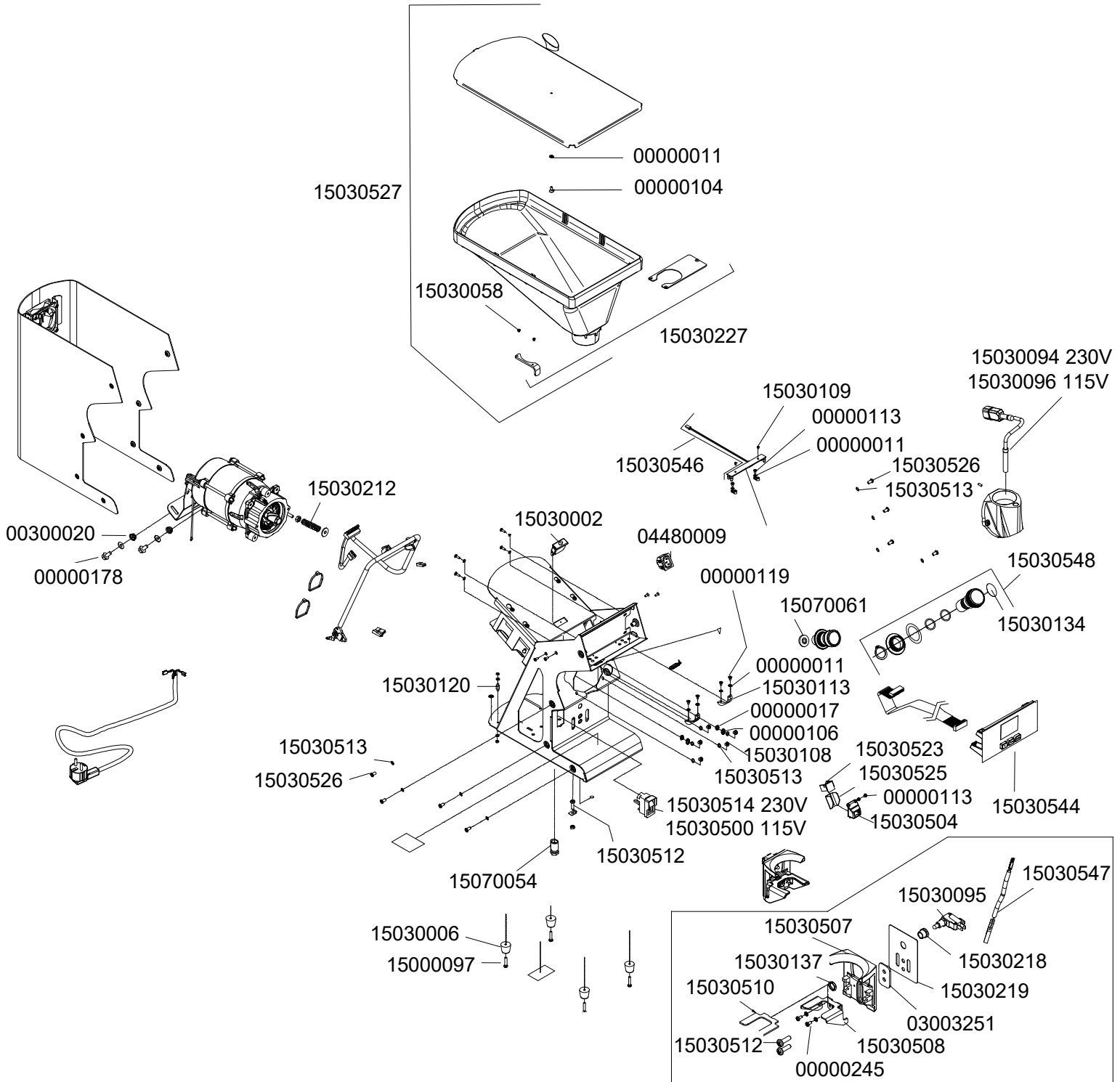
THE CODES WRITTEN IN BOLD REFER TO THE COMPONENTS
EMPLOYED CURRENTLY.

THE CODES USED BEFORE ARE WRITTEN IN CURSIVE WITH INDICATED,
ON THE SIDE, THE END OF VALIDITY DATE.

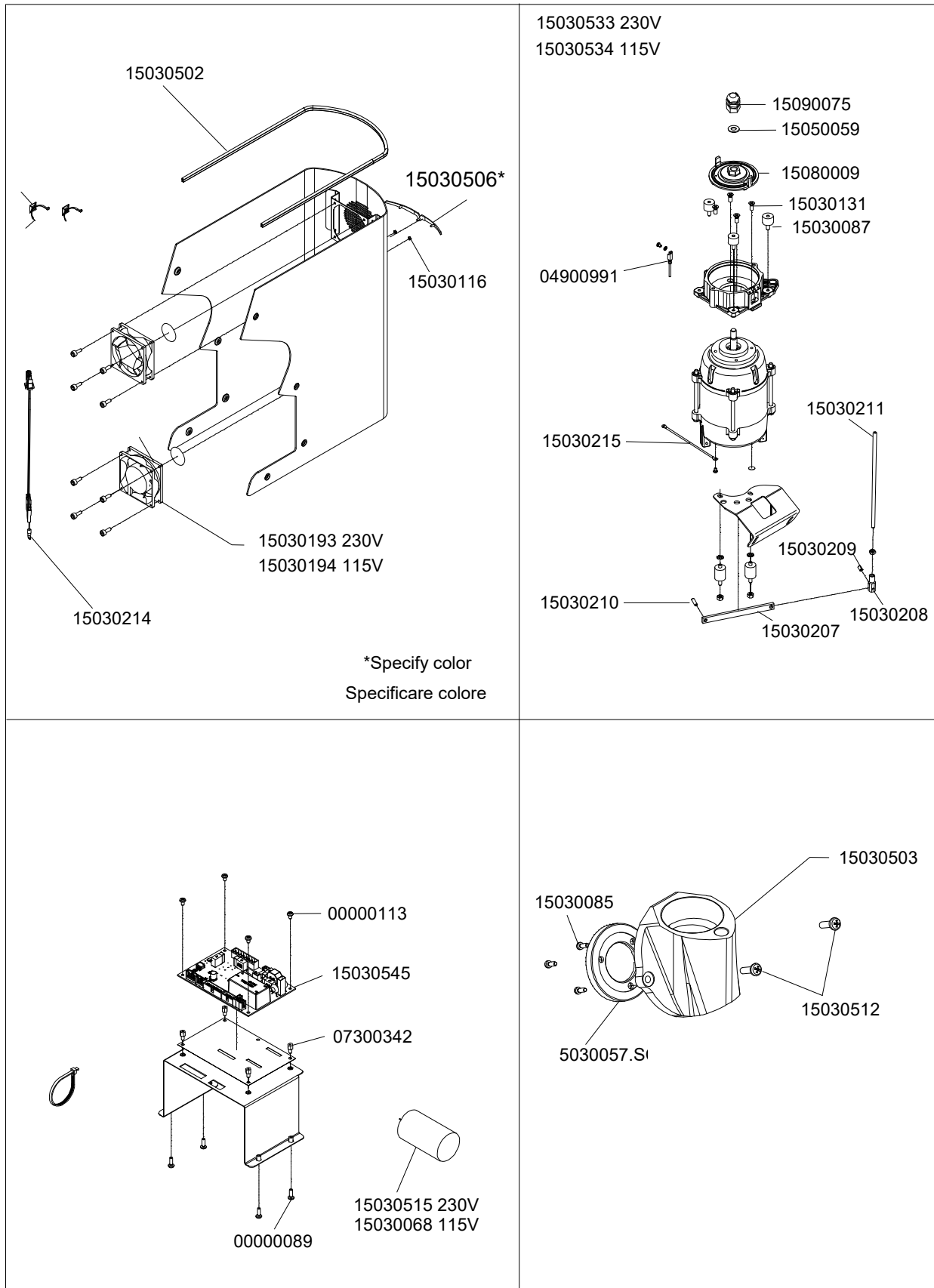
EXAMPLE:

03001531 - 01/09/2007

03001531



COD.	DESCRIPTION	DESCRIZIONE	VAL.
00000011	S/S KNURLED WASHER M4 UNI8842/A	RONDELLA INOX M4 ZIGRINATA UNI8842/A	
00000017	GALV BOLT AQ M6 HIGH h6 5587	DADO AQ M6 ALTO ZINC. h6 5587	
00000104	S/S CROSSHEAD COUNTERSUNK SCREW M4x10 DIN965	VITE INOX M4x10 TSP TCR DIN965	
00000106	KNURLED WASHER D6	RONDELLA ZIGRINATA DIAM 6	
00000113	S/S CROS SHEAD CAP SCREW M4x6 7985	VITE INOX M4x6 TC T.CR. 7985	
00000119	SS CROSS HEAD COUNTERSUNK SCREW M4x6 ISO 7046	VITE INOX M4x6 TSPTCR ISO 7046	
00000178	GALV FLANGED KNURLED HEX CAP SCREW 8.8 M6x16	VITE AQ 8.8 M6x16 TE FLANG. ZIGR. ZINC. BIANCO	
00000245	S/S SCREW M4X8 TC TCR DIN 7985	VITE INOX M4x8 TC TCR DIN 7985	
00300020	S/S SELF-LOCKING NUT LOW M6	DADO AUTOBLOC INOX M6 BASSO	
03003251	SCALE EXTENT SUPPORT VA388	LAMIERA SPESSORE SUPPORTO BILANCIA VA388	
04480009	BUILT-IN PLUG IEC 3POLE FASTON 6,3 10A FEMALE	PRESA IEC DA INCASSO 3 POLI FASTON 6,3 10A FEMMINA	
15000097	GALV CROSS HEAD SCREW M5X25 6060.0016	VITE AQ M5x25 TC. T.CR. ZINC. 6060.0016	
15030002	SAFETY MICROSWITCH MYTHOS 4110.0007	MICROSW SICUREZZA MYTHOS 4110.0007	
15030006	RUBBER FOOT MYTHOS 4100.0035	PIEDINO GOMMA MYTHOS 4100.0035	
15030058	S/S SCREW 3x5 TSP TCR 6060.0091	VITE INOX M3x5 TSP TCR 6060.0091	
15030094	HEAT. ELEMENT 220V+ PLUG MYT VA/2/MYONE4650.0100	RESISTENZA 230V + PRESA x MYT VA/2/MYONE 4650.0100	
15030095	MICROSWITCH ACTIVATION GRINDER MYTHOS ONE 4110	MICROSW ATTIV. MACIN. MYTHOS ONE 4110.0014	
15030096	HEAT. ELEMENT 110V+ PLUG MYT VA/2/MYONE4650.0200	RESISTENZA 110V + PRESA x MYT VA/2/MYONE 4650.0200	
15030108	SCREW AQ M6x8 TCEI RIBAS.BN1206 BRUNITA 6060.0116	VITE AQ M6x8 TCEI RIBAS.BN1206 BRUNITA 6060.0116	
15030109	S/S SCREW M3x6 TSP TCR 6060.0092	VITE INOX M3x6 TSP TCR 6060.0092	
15030113	LED LID MYTHOS ONE 4110.0012	COPERCHIO LED MYTHOS ONE 4110.0012	
15030120	SPACER THERMOSTAT ENGINE MYTHOS ONE 2501.0020	DISTANZIALE TERMOSTATO MOTORE MYTHOS ONE 2501.0	
15030134	HANDLE ADHESIVE LABEL GRINDER REGISTER E80	ETICHETTA REGOLAZ. MACINATURA SU POMELLO E80	
15030137	NUT FOR GUIDE NUT MICRO ACTIVATION GRINDER MYTH	DADO X DADO GUIDA MICRO ATTIV.MACIN. MYTHOS ONE2	
15030212	SHORT GRINDING REGULATOR SPRING ROD 6002.3708	MOLLA TIRANTE REG. MACINATURA CORTA 6002.3708	
15030218	GUIDE NUT MICRO ACTIVATION GRINDER MYTHOS 2 6050	DADO GUIDA MICRO ATTIV. MACIN. MYTHOS 2 6050.0019	
15030219	SCALE HOLES CLOSING MYTHOS 2 4600.0096	CHIUSURA FORI BILANCIA MYTHOS 2 4600.0096	
15030227	MYTHOS 2 HOPPER TAB	KIT GHIGLIOTTINA+LINGUETTA+VITI CAMPANA MYTHOS	
15030500	SWITCH 110V MYTHOS MY VA 1011.0054	INTERRUTTORE 110V MYTHOS MY VA1011.0054	
15030504	GRINDER NOZZLE 4650.0007ALR00-XP5	BOCCHETTONE BECCO USCITA NM2 LUCIDATO4650.0007A	
15030507	FORK 4650.0089A0R01-XP5	FORCELLA NM2/NM1 LUCIDATA4650.0089A0R01-XP5	
15030508	PORTAFILTER STAFF HOLDER 4650.0089LMR00-901	STAFFA PORTAFILTRO NM2/NM1 ACCIAIO INOX LUCIDO465	
15030510	FORK ADHESIVE RUBBER 6045.0013	GOMMA ADESIVA FORCELLA NUOVI MYTHOS6045.0013	
15030512	S/S SCREW CROSS CYL HEAD M6X16 6060.0169	VITE TCC 6X16 INOX(A2) ISO 7045-H6060.0169	
15030513	BURNISHED WASHER dn 10X thi 0.3 6061.0022BR	ROND. di RASAMENTO BRUNITA dn 10X sp0.36061.0022BR	
15030514	SWITCH 220VAC 1011.0055	INTERRUTTORE 220Vac1011.0055	
15030523	CLUMP CRUSHER NM1 4150.0027MYR00-XXL	CLUMP CRUSHER NM1 4150.0027MYR00-XXL	
15030525	COFFEE CHUTE S/S MYTHOS VA 75 4150.0084A0R00-901	SCIVOLO MYTHOS VA 75 INOX LUCIDO 4150.0084A0R00-901	
15030526	METRIC SCREW BN1206 M6x12 BLACK 10.9 6060.0191	VITE METRICA BN1206 M6x12 NERE 10.96060.0191	
15030527	COMPLETE HOPPER NM1/NM2 BLACK COVER 4650.1000A	CAMPANA COMPLETA NM1/NM2 COPERCHIO NERO4650.10	
15030544	PANEL COMMAND MYTHOS MY ONE4160.0020A0R00-XXX	PANN. COMANDI x MYTHOS MY ONE4160.0020A0R00-XXX	
15030546	LED MODULE MYONE 4160.0229	SCHEDA LED PU MYTHOS MYONE + CAV1144160.0229A0R0	
15030547	SWITCH CABLE MYTHOS MYONE CAV116	CAVO INTERRUTTORE MACIN. MYTHOS MYONE CAV116	
15030548	GRINDER REGISTER HANDLE NM2 RIC-POM. 4650-001	POMELLO REGISTRO MACINATURA NM2RIC-POM.4650-001	
15070054	CABLE CLAMP FOR THE PANEL MM. 13 6040.0023	FERMACAVO DA PANNELLO MM. 13 6040.0023	
15070061	ROD BUSHING POSITIONING - MDJ TEFLON 2501.0026	BOCCOLA CENTRAGGIO ASTA x MDJ TEFLON 2501.0026	



COD.	DESCRIPTION	DESCRIZIONE	VAL.
00000089	S/S CROSSHEAD CAP SCREW M4x12 DIN7985	VITE INOX M4x12 TC TCR DIN7985	
00000113	S/S CROS SHEAD CAP SCREW M4x6 7985	VITE INOX M4x6 TC T.CR. 7985	
04900991	GROUP TEMPERATURE PROBE PT1000 AURELIAII TFT	SONDA TEMPERATURA PT1000 GR. AURELIA II "DISPLAY A	
07300342	NICKEL PLATED CONTROL UNIT SUPPORT PIN	PERNO SUPPORTO CENTRAL. VIP NICHELATO	
15030057.SC	BURR PAIR D.75 MYTHOS LONG LIFE + BOX	COPPIA MACINE D.75 MYTHOS LONG LIFE + SCATOLA	
15030068	CAPACITOR 50mF x MYTHOS LOW-SPEED 110V 1012.0007	CONDENSATORE 50mF x MYTHOS LOW-SPEED 110V1012.0	
15030085	S/S SCREW M4x10 TCT(-) CUTTING HEAD 6060.0002 BURR	VITE INOX M4x10 TCT(-) TESTA TAGLIO 6060.0002FISS. MAC	
15030087	VIBRATION DAMPER D20xH15xL16 M6 M/F 4110.0010	ANTIVIBRANTE D20xH15xL16 M6 M/F 4110.0010	
15030116	SELF BLOCKING NUT M3 MYTHOS 6062.0011	DADO AUTOBLOC M3 MYTHOS 6062.0011	
15030131	S/S SCREW M6x16 TSP T.CR. 6060.0012	VITE INOX M6x16 TSP T.CR. 6060.0012	
15030193	FAN 230V MYTHOS 2 CABLED 4600.0420	VENTOLA 230V MYTHOS 2 CABLATA 4600.0420	
15030194	FAN 110V MYTHOS 2 CABLED 4600.0410	VENTOLA 110V MYTHOS 2 CABLATA 4600.0410	
15030207	MYTHOS LOW REGISTER AUCTION 2570.0005	ASTA REGISTRO MYTHOS LOW 2570.0005	
15030208	FORK REGISTER MDL / C- MCD - MYTHOS 2501.0013	FORCELLA REGISTRO MDL/C- MCD -MYTHOS 2501.0013	
15030209	ELASTIC PIN 5x12 6040.0019	SPINA ELASTICA 5x12 6040.0019	
15030210	ELASTIC PIN 5x20 6040.0001	SPINA ELASTICA 5x20 6040.0001	
15030211	TIE-ROD REG. MCD - MYTHOS LOW 6001.0005	TIRANTE REG. MCD - MYTHOS LOW 6001.0005	
15030214	CONNECTION CABLE FAN - GROUND MYTHOS 2 CAV42	CAVO COLL. VENTOLE + TERRA MYTHOS 2 CAV42	
15030215	EYELET CABLE 4.2 30cm GROUND CAV21	CAVO OCCHIELLO 4.2 30cm TERRA CAV21	
15030502	DAMPING GASKET 4110.0011v1509	GUARNIZIONE SMORZATRICE4110.0011v1509	
15030503	SUPERIOR BURR HOLDER D.75 4150.0005A0R00-XP5	PORTAMACINE SUP. DIA.75 NM1 LUC4150.0005A0R00-XP5	
15030506	LOGO VA 4650.0088VAR00-951	LOGO VICTORIA ARDUINO NM1/NM2 LUCIDATO4650.0088VA	
15030506.OTV	LOGO VA PAINT. BRASS	LOGO VICTORIA ARDUINO NM1/NM2 OTTONE VERN.	
15030506.RMV	LOGO VA PAINT. RED MAVERICK	LOGO VICTORIA ARDUINO NM1/NM2 ROSSO MAVERICK VE	
15030512	S/S SCREW CROSS CYL HEAD M6X16 6060.0169	VITE TCC 6X16 INOX(A2) ISO 7045-H6060.0169	
15030515	CAPACITOR MF. 16/450 1013.1600	CONDENSATORE MF.16/4501013.1600	
15030533	COMPLETE ENGINE MYTHOS VA D.75 220V	MOTORE COMPL. MYTHOS VA D.75 220V RIC-MO2.9057-001	
15030534	COMPLETE ENGINE MYTHOS VA D.75 110V	MOTORE COMPL. MYTHOS VA D.75 110V RIC-MO1.9057-001	
15030545	MAIN BOARD 220/100 V 4160.0220A0R00-XXX	SCHEDA ALIMENTAZ. 220/100V MYTHOS MYONE4160.0220A	
15050059	S/S WASHER M10 10,5x21 UNI6592 6061.0001	RONDELLA INOX M10 10,5x21 UNI6592 6061.0001	
15080009	INFERIOR BURR HOLDER 75 2520.0005-RIC	PORTAMACINA INFERIORE 75 2520.0005-RIC	
15090075	NUT-STOP BURR HOLDER	DADO FERMA PORTAMACINE 2501.0003-R04	



INSPIRED BY YOUR PASSION.

Simonelli Group s.p.a.
Via E. Betti, 1 - 62020 Belforte
del Chienti - (MC) Italy
Tel. +39 0733.950243 - Fax +39
0733.850247
e-mail: info@victoriaarduino.com
com www.victoriaarduino.com