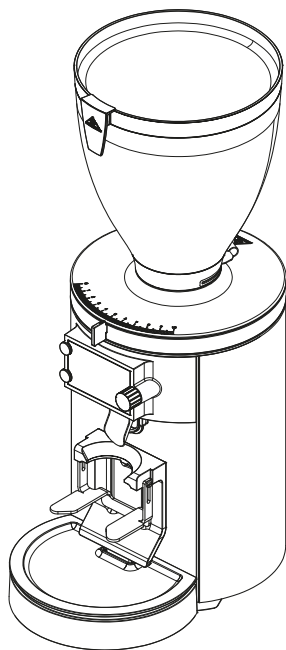


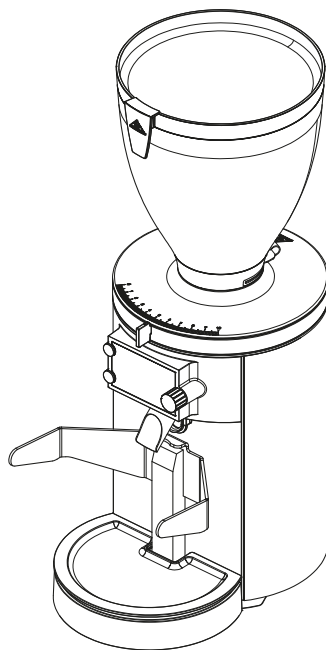
# E80 GbW F80 GbW

---

## OPERATING MANUAL



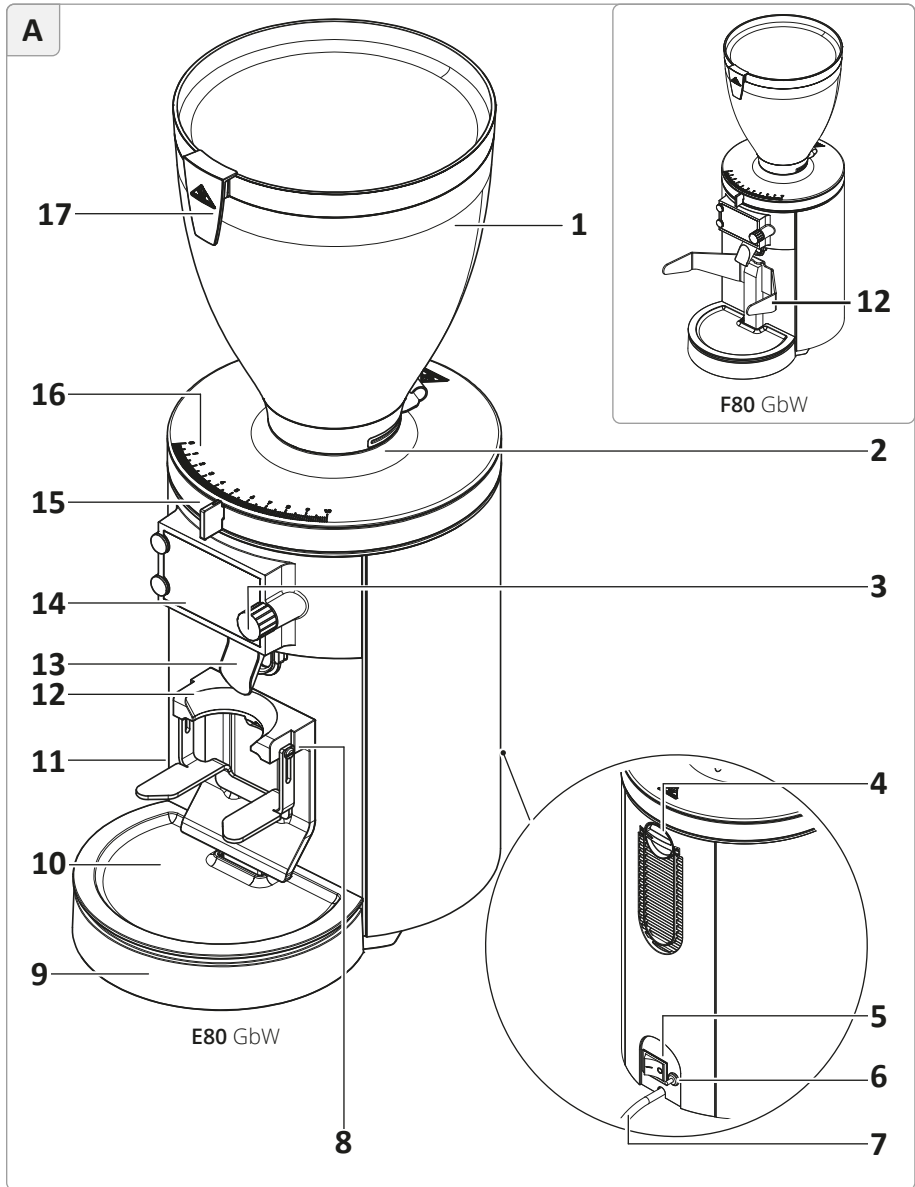
E80 GbW



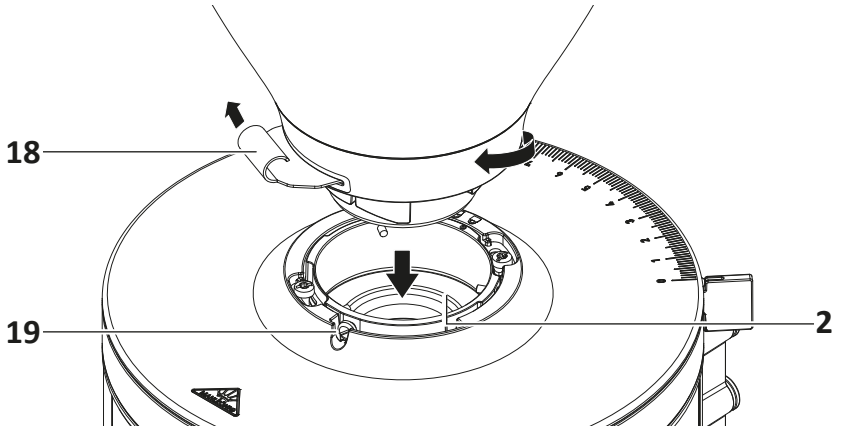
F80 GbW



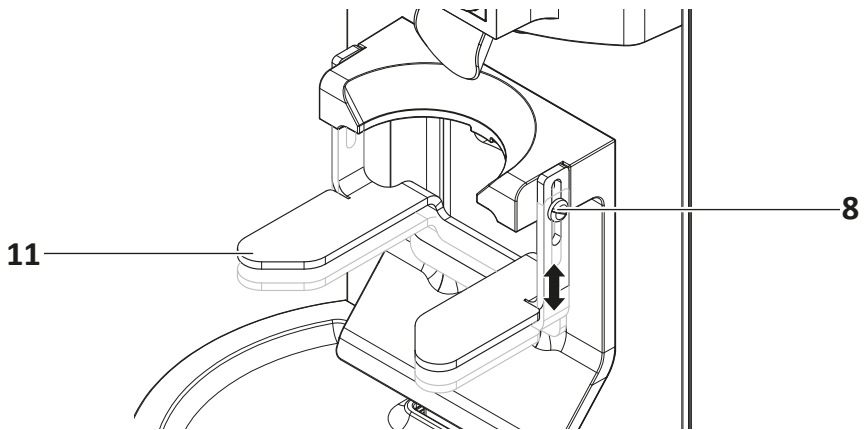
# Overview



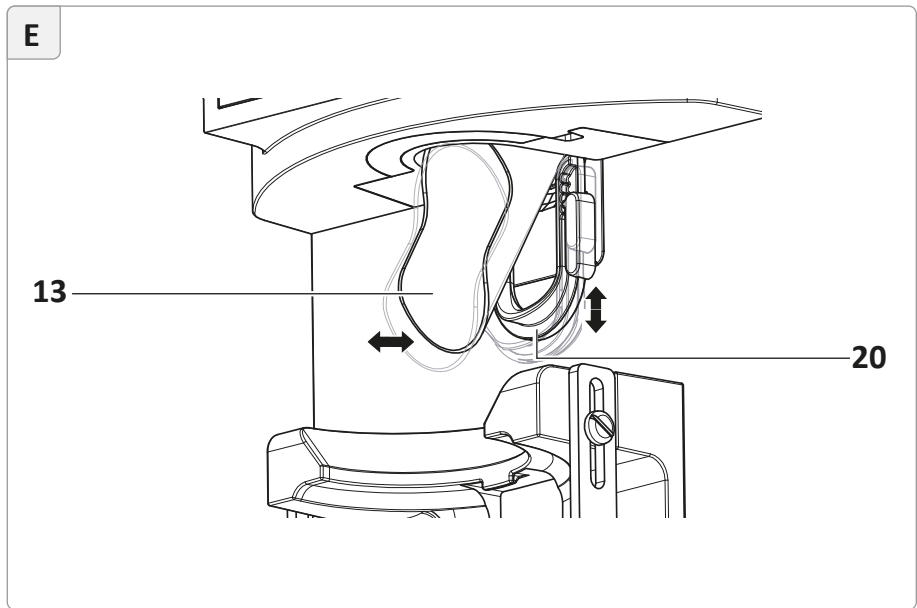
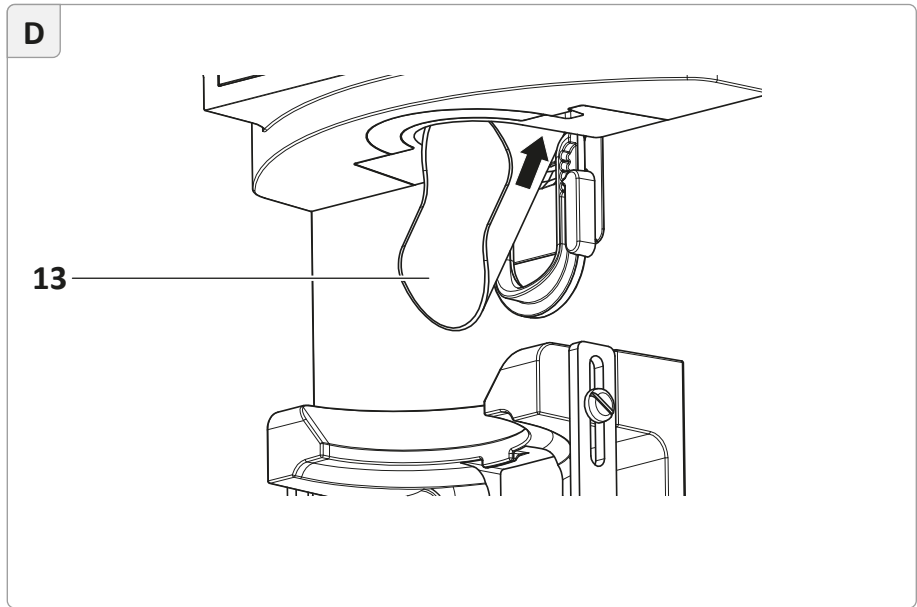
**B**



**C**

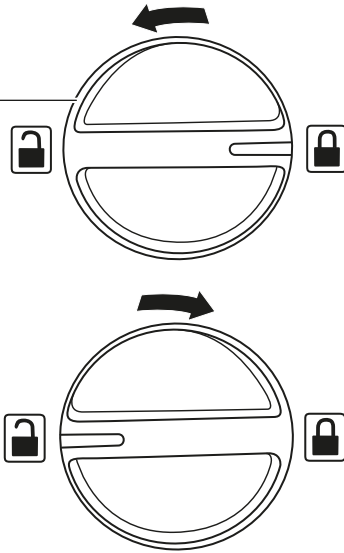


Not relevant for **F80** GbW.



F

4



G

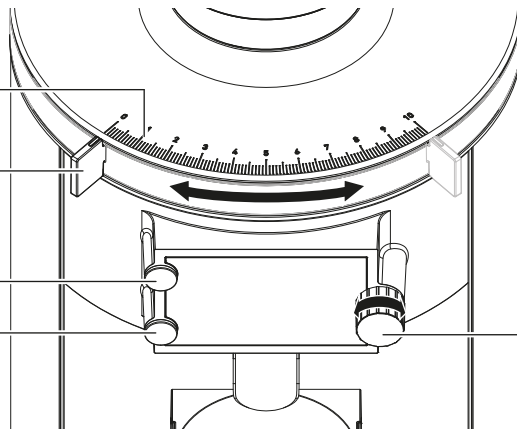
16

15

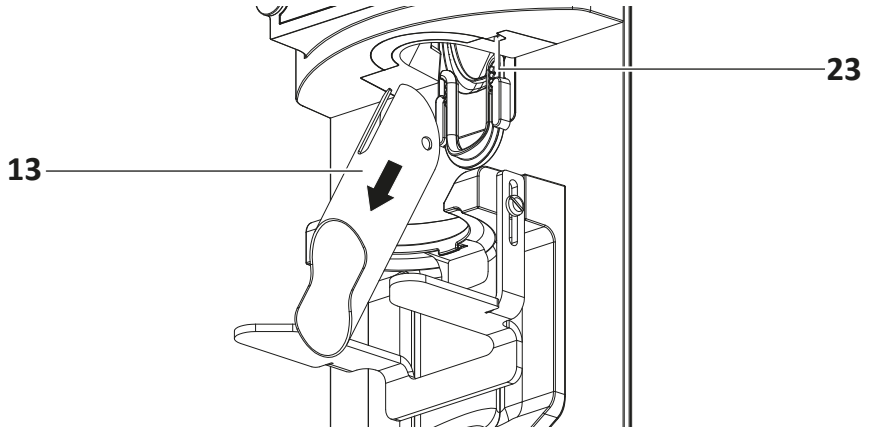
22

21

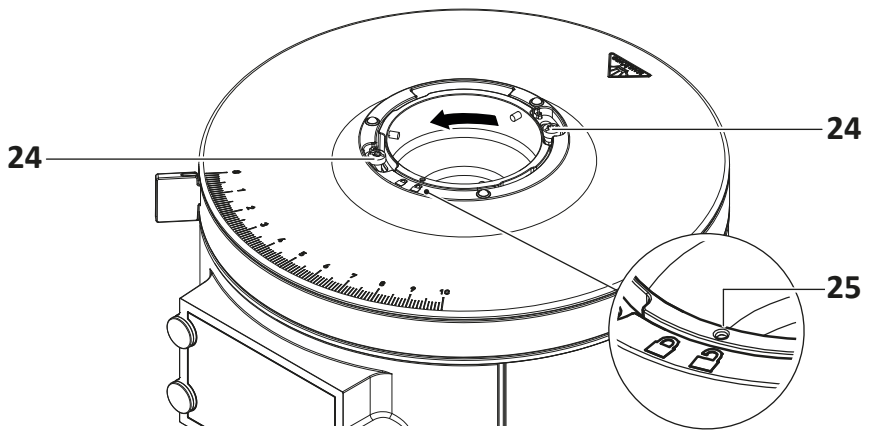
3



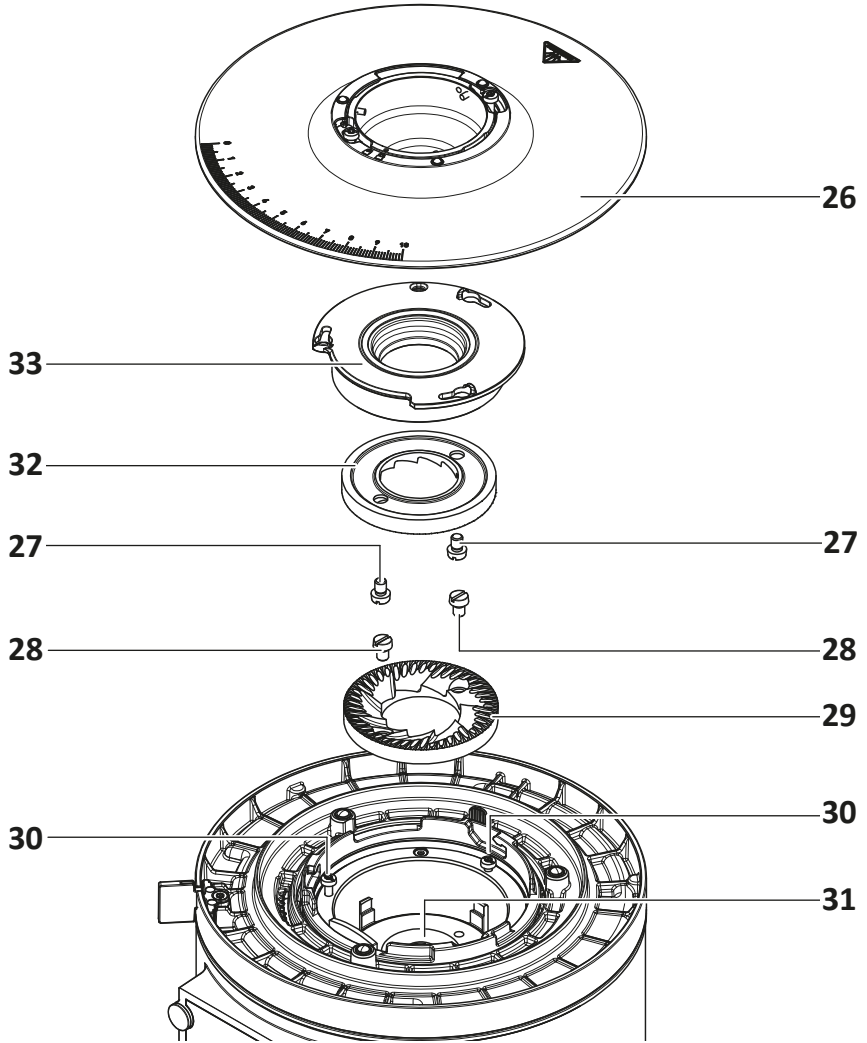
**H**



**I**

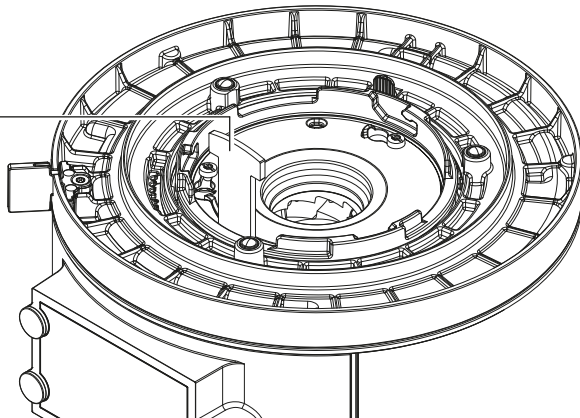


J



**K**

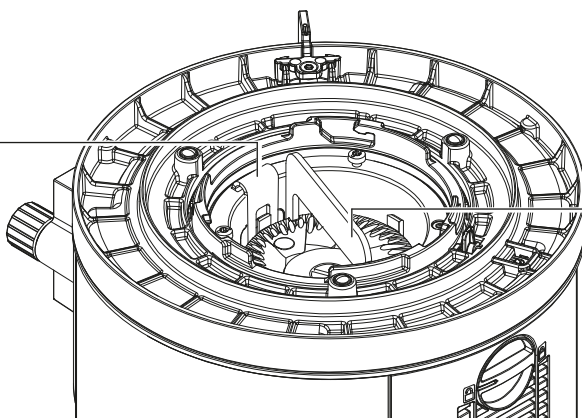
**34**



**L**

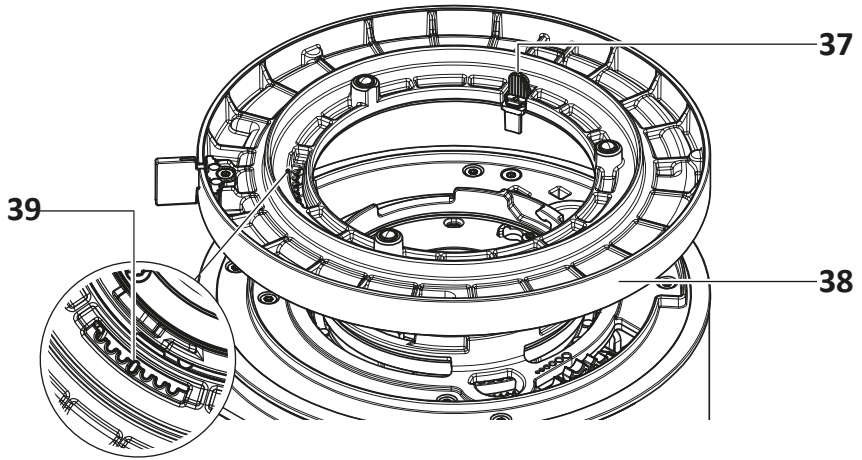
**35**

**36**

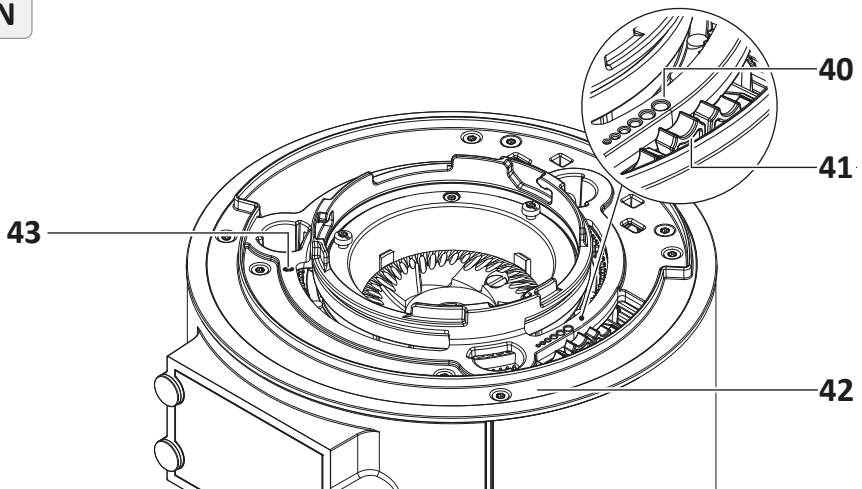




**M**



**N**



## Scope of delivery

<b>No.</b>	<b>Designation</b>	<b>No.</b>	<b>Designation</b>
1	Bean hopper (with lid)	24	Locking screws for grinder lid
2	Bean hopper intake	25	Lock/Unlock grinder lid
3	Controller	26	Grinder lid
4	Grinding degree lock	27	Screws for fixed grinding discs
5	On/Off switch	28	Screws for rotating grinding discs
6	Release button (Thermal overcurrent circuit-breaker)	29	Rotating grinding disc
7	Power cable	30	Locking screws for fixed disc flange
8	Screw for adjusting the portafilter support (left and right), 2x	31	Grinding disc carrier
9	Load cell cover	32	Fixed grinding disc
10	Drip tray	33	Fixed disc flange
11	Portafilter support	34	Flapper
12	Portafilter intake/basket holder	35	Locking tool for grinding disc change
13	Spout	36	Removal tool for grinding disc change
14	Display	37	Adjustment ring lock
15	Grinding degree slider	38	Adjustment ring
16	Grinding degree scale	39	Adjustment ring marker
17	Clip for the type of bean used	40	Vernier scale
18	Sliding valve	41	Zero adjustment of grinding discs
19	Locking screw for the bean container	42	Intermediate plate
20	Spout guide	43	Intermediate plate marker
21	Lower button		
22	Upper button		
23	Rescue button		

# Contents

<b>Overview .....</b>	<b>2</b>	Interrupting grinding .....	27
<b>Scope of delivery .....</b>	<b>10</b>	Rescue button grinding.....	27
<b>General Information .....</b>	<b>12</b>	Changing the coffee bean type...	28
Reading and retaining the operating manual .....	12	<b>Using the main menu .....</b>	<b>29</b>
Explanation of symbols used .....	12	Display/navigation symbols .....	29
<b>Safety.....</b>	<b>14</b>	Accessing and operating the main menu.....	30
Intended use .....	14	<b>Cleaning.....</b>	<b>31</b>
Safety information .....	14	Cleaning the grinder installation surface.....	32
<b>Before commissioning .....</b>	<b>17</b>	Cleaning the housing .....	32
Functioning and basic settings ...	17	Cleaning the spout system.....	33
Check the grinder and scope of delivery .....	18	Cleaning the bean hopper .....	33
Setting up the grinder and inserting the bean hopper .....	18	Cleaning the grinding mechanism with GRINDZ™ .....	34
Setting up the portafilter support and spout .....	19	Cleaning the grinding mechanism manually.....	35
Activating Portafilter Detection ...	20	Cleaning the flapper .....	36
Detecting the portafilters / filter baskets .....	21	<b>Maintenance .....</b>	<b>37</b>
<b>Operation .....</b>	<b>22</b>	Changing the grinding discs.....	37
Filling with coffee beans .....	23	Adjusting the grinding discs.....	38
Switching on the grinder .....	23	Changing the flapper .....	39
Setting the grinding degree .....	23	Calibrating the load cell .....	39
Selecting a recipe on a weight/time basis.....	24	<b>Troubleshooting .....</b>	<b>40</b>
Assigning a recipe on a weight/time basis.....	24	<b>Technical data.....</b>	<b>45</b>
Setting or changing the grinding weight/grinding time .....	25	<b>Disposal .....</b>	<b>46</b>
Starting grinding .....	26	Disposing of the packaging.....	46
		Disposing of the grinder .....	46
		<b>Maintenance and service ...</b>	<b>46</b>

## General Information

### Reading and retaining the operating manual



Before you start using the E80 GbW and F80 GbW grinders, carefully read through this original operating manual and the safety information. Only then will you be able to use the E80 GbW and F80 GbW safely and without danger. This operating manual is based on the standards and regulations in force in the European Union. Please also note the guidelines and laws of your specific country if abroad.

For better clarity, the E80 GbW/F80 GbW grinder will be referred to hereinafter only as "grinder".

Keep this operating manual for future reference.

Also pass on these original operating instructions to subsequent owners and users of the grinder.

### Explanation of symbols used

The following symbols and signal words are used in this operating manual, on the grinder and on the packaging.

---

#### **WARNING!**



This signal word/symbol indicates a hazard with a medium degree of risk which can lead to death or serious injury if not avoided.

---

#### **CAUTION!**



This signal word/symbol indicates a hazard with a low degree of risk which can lead to minor or moderate injury if not avoided.

---

#### **NOTE!**

This signal word warns of possible material damage.

---



This symbol indicates important information concerning operation or handling.



Declaration of Conformity:  
Products marked with this symbol fulfil all applicable community provisions of the European Economic Area.



ETL Listed seal of approval:  
Products marked with this symbol meet the requirements of electrical product safety in the United States of America.



Products marked with this symbol meet the criteria required by the NSF (National Sanitation Foundation) regarding cleanliness and hygiene in the food industry.



Products marked with this symbol are only permitted for use indoors.



This symbol indicates an electrical shock hazard.



This symbol indicates that the grinder conforms to protection class I.

## Safety

### Intended use

The grinder is only suitable for grinding whole roast coffee beans. Do not use the grinder for grinding other products or objects.

The grinder is intended for commercial use but not for continuous mass production. The grinder may only be serviced by trained personnel. However, it may be operated by other persons in a place where its use is supervised.

Any other use is not considered to comply with the intended use and can result in material damage or even personal injury. Do not make any changes to the grinder. The manufacturer or supplier cannot be held liable for any injury or damage resulting from the failure to comply with the safety instructions.

### Safety information

---

#### **WARNING!**

##### **Danger of electric shock!**

Improper use, incorrect electrical installation or an excessively high voltage can all lead to electric shock.

- Connect the grinder only if the mains voltage of the socket complies with the information indicated on the type plate.
- Connect the grinder only to a socket with good accessibility, so that you can disconnect it quickly from the power supply in the event of a fault.
- Do not use the grinder if you notice any visible damage or if the power cable or plug is faulty.
- If the grinder power cable is damaged, it must be replaced by the manufacturer or by qualified personnel, in order to avoid hazards.
- Do not operate the grinder without an earth connection.
- Only connect the grinder to a power supply with a 16 A slow fuse or 15 A overload protection (USA). Have the 16 A slow fuse or 15 A overload protection fitted by a qualified electrician if the power connection at the site of installation of the grinder is not secured in this way.

- Only install the grinder at places where the handling of the grinder can be supervised by trained personnel.
  - Do not operate the grinders above 2,000 metres.
  - Do not immerse the grinder or the power cable or power plug in water or any other liquids.
  - Do not clean the grinder with a water jet.
  - Do not clean the grinder with compressed air (e.g. with a compressed air gun).
  - Never touch the power plug with wet hands.
  - Never unplug the power plug from the wall socket by pulling on the power cable; always grip the plug itself.
  - Never use the power cable as a handle to carry the grinder.
  - Keep the grinder and power cable/power plug away from open flames and hot surfaces.
  - Position the power cable in such a way that it does not become a trip hazard.
  - Do not bend the power cable and do not place it over sharp edges.
  - Use the grinder in indoor areas only. Never operate the grinder in damp rooms or in the rain.
  - Keep children away from the grinder.
  - Ensure that children do not insert any objects into the grinder.
  - If you are not currently using the grinder, if you are cleaning it or if a fault occurs, switch the grinder off and remove the power plug from the socket.
  - Do not open the grinder casing; leave repairs to the experts. If repairs are required, please contact a specialist workshop. In the event of unauthorised repairs, faulty connection or incorrect operation, all liability and guarantee claims are excluded. Only parts that comply with the original appliance specifications may be used for repairs. This grinder contains electrical and mechanical parts that are essential for protection against potential hazards.
-

---

** WARNING!**

**Danger for children and persons with reduced physical, sensory or mental capabilities (e.g. partially disabled persons, older persons with limited physical and mental capabilities) or a lack of experience and knowledge (e.g. older children).**

- The grinder is not intended for use by children or people with limited physical, sensory or mental abilities or a lack of experience and knowledge. Children may not play with the grinder.
  - Do not leave the grinder unsupervised when in operation.
  - Do not let children play with the packaging film. Children can become entangled in it while playing and may suffocate.
  - Do not let children play with the small parts. These can be life-threatening if swallowed.
- 

** CAUTION!****Risk of tipping and injury!**

Incorrect handling of the grinder can result in injury.

- Position the power cable so that nobody can become entangled in it and cause the grinder to fall.
  - Place the grinder on a level and stable surface to prevent it from falling off.
-



## Before commissioning

### Functioning and basic settings

The grinder is equipped with the grind-by-weight technology (GbW) for dosing via weight control in real time. It also has a Disc Distance Detection (DDD) function which enables the grinding degree to be set on the basis of the distance between the grinding discs. Different portafilters and filter baskets can be automatically detected by weight by means of the Portafilter Detection (PFD) after insertion in the grinder (see chapter on “Detecting the portafilter/filter basket”). You can select the dosage quantity after the grinder has detected the inserted portafilter/filter basket. The quantities of ground coffee per shot, i.e. the dosage quantities, are defined in the grinder by the grinding weight or the grinding time.

The user can specify up to six different recipes (grinding weights/grinding times) and also has the possibility of controlling the grinding weight/grinding time manually (manual grinding).

The grinding process is started automatically when the portafilter/filter basket is inserted and either stops automatically after the defined grinding weight/grinding time has been reached or when the portafilter/filter basket is removed (manual grinding).



2 recipes and Manual Grinding are preset by default.



Single Shot: 12 g Espresso | Single Cup (300 ml) Filter: 18 g



Double Shot: 18 g Espresso | 1 litre Filter: 60 g



Manual Grinding: stops automatically when the portafilter/filter basket is removed from the portafilter intake.

\*The grinding time depends on the selected coffee bean type, the selected grinding degree and the mains frequency (see chapter on “Technical data”).

## Check the grinder and scope of delivery

### NOTE!

#### Risk of damage!

Take care when opening the packaging with a sharp knife or other pointed objects, otherwise the grinder may be damaged.

- Be very careful when opening the packaging.

1. Remove the grinder from the packaging.
2. Check that the delivery is complete (see **Fig. A, B, E, G, H, I, J, K, L, M** and **N**).
3. Check for damage to the grinder or the individual parts.  
If this is the case, do not use the grinder. Contact your supplier (see chapter on “Maintenance and service”).



Please note that the grinder is subjected to an extensive function test before delivery and may still contain residues of coffee powder.

## Setting up the grinder and inserting the bean hopper



You will need a slot screwdriver to fix the bean hopper (not included with delivery).

1. Place the grinder on a level, stable and vibration-free surface.
2. Make sure that the spout (**13**) is pushed up to the maximum and is securely locked in the spout locking mechanism (see **Fig. D**).
3. Make sure the grinder is switched off (On/Off switch (**5**) in position 0) and connect the grinder to the mains by inserting the mains plug in a properly installed earthed socket.
4. Insert the drip tray (**10**) in the corresponding housing recess under the spout.
5. Place the bean hopper (**1**) on the bean hopper intake.  
When placing the bean hopper, make sure to place the nose of the bean hopper in the corresponding recess of the bean hopper intake.
6. Push the bean hopper down into the bean hopper intake and turn the bean hopper clockwise to fix it to the grinder.

If the bean hopper cannot be fixed in place by turning it, it may not be positioned correctly. In this case, align the bean hopper correctly (see step 5) and then try again by pressing it down and turning it (see also the chapter on “Troubleshooting”).

7. Use a slot screwdriver to tighten the securing screw **(19)** for the bean hopper clockwise.



The grinder switches off automatically if the bean hopper is not attached.

## Setting up the portafilter support and spout



**ONLY RELEVANT FOR E80 GBW.**

You will need a slot screwdriver to adjust the portafilter support (not included with delivery).

Adjust the portafilter support **(11)** to the size of the portafilter of your coffee grinder (see **Fig. C**):

1. Make sure the grinder is switched off (On/Off switch **(5)** in position 0).
2. Use a screwdriver to unscrew the screws **(8)** for adjusting the portafilter support (left and right) by turning them anticlockwise.  
The portafilter support is lowered as far as it will go.
3. Insert the portafilter in the portafilter intake **(12)**.
4. Push the portafilter support upwards until the portafilter fits exactly between the portafilter support and the portafilter intake.



If the portafilter support does not fit, contact your supplier (see chapter on “Maintenance and service”).

5. Hold the portafilter support in position and fix it by tightening the screws for adjusting the portafilter support (left and right) clockwise with a slot screwdriver.
6. Push the spout guide **(20)** up or down in the locking mechanism to align the spout **(13)** in the optimum position for your portafilter (see **Fig. E**).  
Align the spout in such a way that the ground material falls from the spout into the centre of the inserted portafilter.

## Activating Portafilter Detection



Portafilter Detection (PFD) must be activated before it can be used for grinding.

1. Switch on the grinder by setting the On/Off switch **(5)** to the I position.  
The grinder is ready for operation as soon as the last selected recipe or the start screen appears on the display **(14)**.
2. Press the controller **(3)** twice to call up the main menu in the display.
3. Turn the controller to select the "Settings" menu item and confirm your selection by pressing the controller.
4. Turn the controller to select the "Portafilter Management" submenu and confirm your selection by pressing the controller.  
You are in the "Portafilter Management" submenu.
5. Activate the detection mode to use Portafilter Detection by pressing the controller.  
The Active symbol lights up green.
6. Exit the submenu by pressing the upper button **(22)**.  
You can now start detecting the portafilters/filter baskets.

## Detecting the portafilters / filter baskets



- Each portafilter/filter basket must be registered by means of Portafilter Detection (PFD) in a so-called "learning process", so that the grinder automatically detects different portafilters/filter baskets.
- You can save up to 6 portafilters/filter baskets with the grinder.
- The portafilter/filter basket can be assigned to a recipe and activated as soon as it has been registered.

1. Call the "Portafilter Management" submenu and proceed as described in steps 2–4 in the chapter on "Activating Portafilter Detection".
2. To register the portafilter/filter basket, select the "Add Portafilter" menu item by turning the controller **(3)** and confirming your selection by pressing the controller.

The prompt "Please insert portafilter" appears on the display **(14)**.

3. Push the portafilter/filter basket between the portafilter intake **(12)** and the portafilter support/basket holder **(11)** and release the portafilter/filter basket.

4. If the weight of the portafilter/filter basket appears on a green background on the display, the portafilter/filter basket has been successfully registered and you automatically return to the submenu.

If the warning 'PF scan failed' appears on the display, turn the controller to select the "Repeat" menu item and confirm your selection by pressing the controller. The portafilter/filter basket is registered again.

5. Remove the portafilter/filter basket.

You can assign the registered portafilter/filter basket to a recipe.

6. To register additional portafilters/filter baskets, turn the controller to select the "Add Portafilter" menu item, confirm your selection by pressing the controller and proceed as described in steps 2–4.

If you wish to overwrite a registered portafilter/filter basket, turn the controller to select the desired portafilter number in the "Portafilter Management" submenu and confirm your selection by pressing the controller.

You are now in the portafilter number submenu and can register the portafilter/filter basket.

7. Turn the controller to select the "Click to re-scan" menu item and confirm your selection by pressing the controller; proceed as described in step 3–4.

## Operation

---

### NOTE!

#### Danger of overheating!

Exceeding the maximum permissible operating cycle can cause the grinder to overheat.

- Do not exceed the maximum operating cycle (see chapter on “Technical data”).
  - Observe the recommended pause when the maximum permissible operating cycle is reached (see chapter “Technical data”).
- 



- The grinder has a thermal overcurrent circuit breaker that interrupts the grinder's circuit in the event of an electrical overload.

To start the grinder again, set the On/Off switch **(5)** to switch position **0** (Off).

Then press in the release button **(6)**.

You can now switch the grinder on again by setting the On/Off switch to switch position **I** and start up the grinder (see the chapter on “Troubleshooting”).

- The grinder also has a motor protector, which switches off the grinder when the motor becomes too hot. As soon as the motor has cooled down, the grinder can be put into operation again (see the chapter on “Troubleshooting”).
- 

### NOTE!

#### Risk of damage!

The operator has no influence on the thermal overcurrent circuit breaker. If the circuit breaker trips several times, it is essential to consult an authorised service partner, as the motor winding may be damaged.

---

## Filling with coffee beans

1. Remove the lid from the bean hopper **(1)**.
2. Fill the bean hopper with whole roasted coffee beans from above.



- The maximum filling quantity should be approx. 1 cm below the edge of the bean hopper.
- The minimum filling quantity should be approx. 1 cm above the finger guard, so that no dosage fluctuations occur.

3. Replace the lid on the bean hopper.
4. If required, open the bean hopper by pulling out the hopper slide **(18)** (see **Fig. B**).




Use the clip **(17)** on the lid of the bean hopper to attach a label or similar to the grinder to indicate the type of coffee beans currently being used.

## Switching on the grinder


1. Make sure that you have plugged the mains plug into a properly installed protective contact socket.
2. Switch on the grinder by setting the On/Off switch **(5)** to the I position. The grinder is ready for operation as soon as the last selected recipe or the symbol for manual grinding appears on the display **(14)**.

## Setting the grinding degree



- The grinding degree adjustment lock secures the grinding degree slider against unintentional adjustment of the grinding degree.
  - When the grinding degree lock is open, the grinding degree slider can be moved freely along the grinding degree scale. The finest setting is “0” and the coarsest setting is “10”.
1. If required, release the grinding degree adjustment lock by turning the grinding degree lock **(4)** anticlockwise to the  position (open) (see **Fig. F**).
  2. Move the grinding degree slider **(15)** to the required position, so that the marking on the slider points towards the desired grinding degree on the grinding degree scale **(16)** (see **Fig. G**).



- Decrease the grinding degree only when the grinder is in operation.
  - To avoid/eliminate imbalances when adjusting the grinding degree, we recommend that you first set a coarser grinding degree (about one step/unit above the desired grinding degree) and only then adjust the grinding degree slider down from there to the desired finer grinding degree.
3. If required, fix the grinding degree by turning the grinding degree lock anticlockwise to the  position (closed) (see **Fig. F**).

## Selecting a recipe on a weight/time basis

- Turn the controller **(3)** to select the desired recipe (see **Fig. G**).  
The symbol of the selected recipe and the corresponding grinding weight or grinding time are highlighted in the display **(14)**.

## Assigning a recipe on a weight/time basis



You can use the parameters Weight-based and Time-based to define the desired grinding mode, which is then automatically executed by the grinder.

1. Press the controller **(3)** twice to call up the main menu in the display **(14)**.
2. Turn the controller to select the “Edit recipes” menu item and confirm your selection by pressing the controller.
3. Turn the controller to select an existing recipe and confirm your selection by pressing the controller.
4. Select the first menu item “Time-based/Weight-based/Manual” in the recipe and confirm your selection by pressing the controller.
5. Select the desired grinding mode (Time-based/Weight-based/Manual) in the submenu and confirm the recipe setting by pressing the controller.



## Setting or changing the grinding weight/grinding time

Proceed as follows if you wish to set the grinding weight/grinding time of a new recipe or wish to change that of an existing recipe:

1. Select the desired recipe by turning the controller **(3)** (see chapter on “Selecting a recipe on a weight/time basis”).
2. Press the lower button **(21)**.  
The set grinding weight/grinding time flashes.
3. Turn the controller to set the desired grinding weight/grinding time.
4. Confirm the set grinding time by pressing the upper button **(22)** (✓ symbol) or discard the setting by pressing the lower button (✗ symbol).



If you do not make any settings (turn/press the controller) for more than 4 minutes, the setting/changing of the grinding weight/grinding time which has been started is cancelled.

## Starting grinding



- When grinding in the Portafilter mode, the grinder automatically calls up the appropriate recipe for the detected portafilter/filter basket.
- If Portafilter Detection (PFD) is deactivated for weight-based grinding, the weight of the portafilter/filter basket is detected and automatically zeroed as soon as you push the portafilter/filter basket between the portafilter intake and the portafilter support/basket holder and release it (the LED light changes from white to red during this process). The grinder starts the grinding process automatically and measures the weight of the grinding in real time.

## Grinding according to recipe

1. Select the desired recipe by turning the controller **(3)** (see chapter on “Selecting a recipe on a weight/time basis”).
2. Push the portafilter/filter basket between the portafilter intake **(12)** and the portafilter support/basket holder **(11)** and release the portafilter/filter basket.

The grinder automatically starts the grinding process with the set grinding weight/grinding time. During the grinding process, the remaining grinding weight/grinding time is shown in the display **(14)**. The red LED light indicates that the portafilter may not be touched.

3. The LED light changes to green, indicating that the grinding process has been completed.  
Remove the portafilter/filter basket.

## Manual grinding

1. Push the portafilter/filter basket between the portafilter intake **(12)** and the portafilter support/basket holder **(11)** and release the portafilter/filter basket.
2. Press the upper button **(22)** to start the grinding process manually.
3. Stop the grinding process by releasing the upper button.



Manual grinding via the upper button or the start button allows the smallest amounts of ground material to be added to a shot when grinding according to recipe.

## Interrupting grinding



Weight-based recipes cannot be interrupted, because the portafilter/filter basket is zeroed each time it is inserted in the portafilter intake and the grinding process starts again.

Grinding is automatically interrupted when you remove the portafilter/filter basket from the portafilter intake **(12)**. Grinding is continued when you push the portafilter/filter basket back into the portafilter intake.

1. Remove the portafilter/filter basket from the portafilter intake during grinding to interrupt grinding and stop the grinding time. The symbol of the selected recipe flashes.
2. Push the portafilter/filter basket back between the portafilter intake and the portafilter support/basket holder **(11)** before the preset break time has elapsed.

The suspended grinding process is continued automatically until the grinding time has elapsed.



- If you do not wish to continue the grinding process, press the controller **(3)**. The display jumps directly to the selected mode and the previously suspended time is deleted.
- The break time can be set via the menu.

## Rescue button grinding



In the event of a display failure, grinding is possible via a rescue button.

1. Use a thin screwdriver or similar tool to press the rescue button **(23)**. The grinder starts the grinding process.
2. Stop the grinding process by releasing the rescue button.









## Changing the coffee bean type





1. Close the bean hopper **(1)** by sliding in the funnel slide **(18)**.
2. Grind any coffee beans left in the grinding mechanism until the grinder runs empty.
3. Use a slot screwdriver to undo the securing screw **(19)** for the bean hopper.
4. Rotate the bean hopper anticlockwise to release it from the grinder and lift it upwards to remove it from the grinder.
5. Remove the remaining coffee beans from the bean hopper.
6. Remove any excess beans from the bean hopper intake **(2)** (see **Fig. B**).
7. Place the bean hopper on the bean hopper intake.  
When placing the bean hopper, make sure to place the nose of the bean hopper in the corresponding recess of the bean hopper intake.
8. Push the bean hopper down into the bean hopper intake and turn the bean hopper clockwise to fix it to the grinder.  
If the bean hopper cannot be fixed in place by turning it, it may not be positioned correctly. In this case, align the bean hopper correctly (see step 8) and then try again by pressing it down and turning it (see also the chapter on “Troubleshooting”).
9. Use a slot screwdriver to tighten the securing screw for the bean hopper clockwise.
10. Fill the bean hopper with the new coffee beans.
11. Open the bean hopper by pulling out the hopper slide.
12. Grind 2–3 shots to remove any residue of the old coffee beans, to warm up the machine and to avoid any fluctuations in the dosage.

## Using the main menu

You can use the main menu to retrieve appliance data and change certain settings.

### Display/navigation symbols

Symbol	Meaning
	“Warning & messages” menu item
	“Statistics” menu item
	“Edit recipes” menu item
	“Service” menu item
	“Settings” menu item
	Leave main menu/submenu
	Confirm selection
	Edit selection

Recipe symbols	Designation
	Bottomless portafilter
	Single portafilter (Single Shot)
	Double portafilter (Double Shot)
	Manual grinding

## Accessing and operating the main menu

1. Press the controller **(3)** twice to call up the main menu in the display **(14)**.
2. Turn the controller to select the desired recipe (see chapter on “Display/navigation symbols”).  
The symbol of the selected menu item is shown in the centre of the display.
3. Confirm your selection by pressing the controller to access the desired submenu or press the lower button **(21)** (**X** symbol) to exit the main menu.
4. Turn the controller to select a submenu item if required and confirm your selection by pressing the controller or press the lower button (**X** symbol) to exit the submenu.



If you take longer than 4 minutes to make or confirm a selection in the main menu or in a sub-menu, you will automatically be taken back to the home screen.

Entries that have been selected but not confirmed will not be saved.

## Cleaning

---

### **CAUTION!**

#### **Risk of injury!**

When moved, the grinder may fall down and injure you.

- Always place the grinder on a stable surface that is safe from tipping over.
  - If necessary, ask another person to help if the grinder is too heavy.
- 

### **NOTE!**

#### **Danger of short circuit!**

Water entering the grinder can cause a short circuit.

- Never immerse the grinder in water or other liquids.
  - Never clean the grinder with a water jet.
  - Ensure that no water or other liquids make their way into the casing.
- 

### **NOTE!**

#### **Risk of damage!**

Improper handling can cause damage to the grinder.

- Do not use any harsh cleaning products or sharp or metallic cleaning objects such as knives, metal scouring pads or similar. These can scratch the surface.
  - Do not clean the grinder with compressed air (e.g. with a compressed air gun).
  - Do not put the drip tray or the lid of the bean container into the dishwasher. The parts are not suitable for this and the colour may fade.
  - Do not lift the grinder by the bean hopper; lift only by the casing and always with both hands.
- 
-

## Cleaning the grinder installation surface

1. Switch off the grinder (On/Off switch **(5)** in the 0 position) and remove the power plug from the socket.
2. Lift the grinder by the housing using both hands and place it on a clean surface.
3. Clean the installation surface and the underside of the grinder with a damp cloth and dry the surfaces.  
The surfaces must be dry and free of oil and grease.
4. Place the grinder back on the cleaned surface.

## Cleaning the housing

1. Switch off the grinder (On/Off switch **(5)** in the 0 position) and remove the power plug from the socket.
2. Use a brush to clean the following grinder components:
  - the spout **(13)**,
  - the portafilter intake/basket holder **/(12)**,
  - the portafilter support **ONLY RELEVANT FOR E80 GBW (11)**,
  - the screws **(8)** for adjusting the portafilter support (left and right).
3. Pull the drip tray **(10)** forward and out of the grinder.  
Use a damp cloth to wipe down the casing and the drip tray as required, but at least once a week.
4. The load cell cover **(9)** is fixed to the grinder by means of a magnetic holder. Lift the cover upwards to remove it from the grinder.
5. Use a brush to remove ground coffee, etc. from the area of the load cell.
6. Re-attach all parts removed for cleaning.



## Cleaning the spout system



The manufacturer recommends using a brush with nylon bristles to clean the spout system.

1. Pull the spout **(13)** downwards out of the lock (see **Fig. H**).
2. Use a brush to clean the spout on the casing (spout locking mechanism).
3. Clean the spout with a damp cloth and then dry it.



Be careful not to damage the surface of the spout. Fine scratches can negatively impact the grinding result, as ground coffee adheres to the scratches, which can lead to dosage fluctuations.

## Cleaning the bean hopper



The bean hopper must be cleaned daily to remove any coffee oil residues as this can have a detrimental effect on the taste.

1. Close the bean hopper **(1)** by sliding in the funnel slide **(18)**.
2. Grind any coffee beans left in the grinding mechanism until the grinder runs empty.
3. Use a slot screwdriver to undo the securing screw **(19)** for the bean hopper.
4. Rotate the bean hopper anticlockwise to release it from the grinder and lift it upwards to remove it from the grinder.
5. Temporarily transfer the coffee beans to another container.
6. Use a damp cloth to clean the inside and outside of the bean hopper and allow it to dry.
7. Remove any excess beans from the bean hopper intake **(2)**.
8. Place the bean hopper on the bean hopper intake.  
When placing the bean hopper, make sure to place the nose of the bean hopper in the corresponding recess of the bean hopper intake.
9. Push the bean hopper down slightly into the bean hopper intake and turn the bean hopper clockwise to fix it to the grinder.

If the bean hopper cannot be fixed in place by turning it, it may not be positioned correctly. In this case, align the bean hopper correctly (see step 9) and then try again to fix it by turning (see also the chapter on “Troubleshooting”).

10. Use a slot screwdriver to tighten the securing screw **(19)** for the bean hopper clockwise.
11. Pour the coffee beans back into the bean hopper.
12. Open the bean hopper by pulling out the hopper slide.

## Cleaning the grinding mechanism with GRINDZ™



- The manufacturer recommends the use of GRINDZ™ grinder cleaner. You will find more information on GRINDZ™ at [www.mahlkoenig.de](http://www.mahlkoenig.de).
- The grinder should be cleaned every 2-5 days.

1. Close the bean hopper **(1)** by sliding in the funnel slide **(18)**.
2. Set the grinding degree to “10” (see chapter: “Setting the grinding degree”).
3. Grind any coffee beans left in the grinding mechanism until the grinder runs empty.
4. Use a slot screwdriver to undo the securing screw **(19)** for the bean hopper.
5. Rotate the bean hopper anticlockwise to release it from the grinder and lift it upwards to remove it from the grinder.
6. Pour the grinder cleaner into the grinding mechanism directly from above. Observe the quantities specified by the manufacturer for the grinder cleaner you are using.
7. Remove any excess grinder cleaner from the bean hopper intake **(2)**.
8. Replace the bean hopper on the bean hopper intake.  
When placing the bean hopper, make sure to place the nose of the bean hopper in the corresponding recess of the bean hopper intake.
9. Push the bean hopper down into the bean hopper intake and turn the bean hopper clockwise to fix it to the grinder.  
If the bean hopper cannot be fixed in place by turning it, it may not be positioned correctly. In this case, align the bean hopper correctly (see step 9) and then try again by pressing it down and turning it (see also the chapter on “Troubleshooting”).
10. Use a slot screwdriver to tighten the securing screw for the bean hopper clockwise.
11. Open the bean hopper by pulling out the hopper slide.
12. Place a bowl under the spout **(13)** to collect the grinder cleaner.

13. Press the upper button **(23)** to start the grinding process and keep it pressed down until the grinder cleaner has been completely ground.
14. Grind approximately the same amount of coffee beans as you did grinder cleaner, in order to remove leftover cleaning particles.  
Reset the grinding degree to the desired setting during the grinding process.
15. Dispose of the ground grinder cleaner and the ground coffee beans in the commercial/domestic waste.

## Cleaning the grinding mechanism manually



- The grinder should be cleaned every 2-5 days.
  - Manual cleaning of the grinding mechanism is an alternative to cleaning it with GRINDZ™.
  - Wear gloves when cleaning the grinding mechanism manually.
  - The grinding discs do not have to be removed from the grinding disc carriers for cleaning.
1. Remove the bean hopper **(1)** from the grinder (see chapter “Cleaning the bean hopper”, steps 1–4).
  2. Switch off the grinder (On/Off switch **(5)** in the 0 position) and remove the power plug from the socket.
  3. Use a slot screwdriver to unscrew the two securing screws of the grinder lid (see **Fig. I, 24**) 1–2 turns.
  4. Push the bean hopper intake downwards and turn it anticlockwise as far as it will go.  
You can now lift off the grinder lid **(26)**.
  5. Use a slot screwdriver to unscrew the three securing screws of the fixed disc flange **(30)** 1–2 turns (see **Fig. J**).
  6. Turn the fixed disc flange **(33)** clockwise as far as it will go and remove it from the grinding chamber upwards in a parallel motion so that it does not become tilted.
  7. Clean the fixed grinding disc **(32)** on the fixed disc flange and the rotating grinding disc **(29)** in the grinding chamber with a soft wire brush; use a wire brush for the fine grinders and the screw holes and screw heads.
  8. Remove the excess ground coffee from the grinding chamber with a hand-held vacuum cleaner.

9. Place the fixed disc flange on the grinding chamber.  
We recommend cleaning the flapper **(34)** during this step (see “Cleaning the flapper”, steps 2–4).
10. Turn the fixed disc flange anticlockwise and tighten the three securing screws with a slot screwdriver.
11. Place the grinder lid on the grinder, turn the bean hopper intake clockwise as far as it will go and tighten the securing screws on the grinder lid.
12. Place the bean hopper on the grinder (see chapter “Cleaning the bean hopper”, steps 7–13).

## Cleaning the flapper



The flapper should be cleaned every 2-5 days.

1. Remove the grinder lid **(26)**; proceed as described in the chapter on “Cleaning the grinding mechanism manually”, steps 1–5.
2. Remove the flapper **(34)** from the recess in the built-in grinder.
3. Clean the flapper with lukewarm water and then dry it.
4. Replace the flapper in its recess in the built-in grinder.
5. Replace the grinder lid on the grinder; proceed as described in the chapter on “Cleaning the grinding mechanism manually”, steps 12–14.

# Maintenance

## Changing the grinding discs



- The grinding discs should be changed after grinding around 1500 kg of coffee beans. The weight in kg depends on the grinding degree, coffee bean type, degree of roasting and condition of the grinding discs.
- Wear gloves when changing the grinding discs. The manufacturer recommends using the “tool for grinding disc change” to change the discs (available as an optional accessory).
- After the grinding discs have been changed, the manufacturer recommends adjustment of the grinding discs (see the chapter on “Adjusting the grinding discs”) and calibration of the Disc Distance Detector.

1. Proceed as described in the chapter on “Cleaning the grinding mechanism manually”, steps 1–7.
2. Use a slot screwdriver to undo the two screws of the fixed grinding disc **(32)** and remove them from the fixed disc flange **(33)**.
3. Remove the flapper **(34)** from the recess in the built-in grinder and insert the locking tool **(35)** for grinding disc change in the grinder in such a way that the grinding disc carrier **(31)** is fixed (see **Fig. L**).
4. Undo the two screws of the rotating grinding disc on the grinding disc carrier and use the removal tool **(36)** to remove the grinding disc from the grinding chamber.  
Guide the removal tool into the grinding chamber from above. Place the recess of the removal tool under the grinding disc, so that it is slightly offset. Guide the removal tool into the centre of the grinding disc and remove the grinding disc by lifting it upwards.
5. Remove the excess ground coffee from the grinding chamber with a hand-held vacuum cleaner.  
Make sure that the grinding disc carrier is completely clean.
6. Place the new rotating grinding disc on the grinding disc carrier and use a slot screwdriver to tighten the two screws.
7. Remove the locking tool. Replace the flapper in its recess in the built-in grinder.

8. Use a wire brush to clean the fixed disc flange and the screw holes. Make sure that the fixed disc flange is completely clean.
9. Place the new fixed grinding disc on the fixed disc flange and use a slot screwdriver to tighten the two screws.
10. Place the fixed disc flange on the grinding chamber; proceed as described in the chapter on “Cleaning the grinding mechanism manually”, steps 10–14.

## Adjusting the grinding discs

1. Remove the grinder lid **(26)**; proceed as described in the chapter on “Cleaning the grinding mechanism manually”, steps 1–5.
2. If required, remove any excess beans from the grinding chamber.
3. Set the grinding degree slider **(15)** on the grinding degree scale to “0”.
4. Push the adjustment ring lock **(37)** back and remove the adjustment ring **(38)** from the grinder upwards (see **Fig. M**).
5. Use a slot screwdriver to rotate the grinding discs by turning the screw of the grinding disc carrier **(31)** in a clockwise direction. Repeat this process several times during the adjustment.
6. Turn the zero adjustment **(41)** towards the lowest point on the Vernier scale **(40)**.  
If you can hear a grinding noise, the distance between the grinding discs is at its smallest.
7. Turn the zero adjustment towards the highest point on the Vernier scale in small steps until you can no longer hear a grinding noise.  
The grinding discs have been zeroed in.
8. Place the adjustment ring on the grinder.  
The marking on the intermediate plate **(42, 43)** and the deepest groove of the marking on the adjustment ring **(38, 39)** must lie flat on top of each other (see **Fig. M** and **N**). Push the adjustment ring lock back, so that the adjustment ring engages in the intermediate plate.
9. Place the grinder lid on the grinder; proceed as described in the chapter on “Cleaning the grinding mechanism manually”, steps 12–14.

## Changing the flapper



Change the flapper if it is porous, deformed or very dirty.

1. Remove the grinder lid **(26)**; proceed as described in the chapter on “Cleaning the grinding mechanism manually”, steps 1–5.
2. Remove the flapper **(34)** from the recess in the built-in grinder and insert the new flapper.
3. Place the grinder lid on the grinder; proceed as described in the chapter on “Cleaning the grinding mechanism manually”, steps 12–14.

## Calibrating the load cell



The manufacturer recommends calibrating the load cell with a 1 kg calibration weight (available as an optional accessory):

- at six-monthly intervals (if handled correctly),
  - after the portafilter support/basket holder has been readjusted,
  - after the grinder has been relocated.
1. Use a brush to remove any ground coffee, etc. from the portafilter intake **(12)**, the portafilter support/basket holder **(11)**, the spout **(13)** and the load cell cover **(9)** (see chapter on “Cleaning the casing”).
  2. Turn the controller **(3)** to select the “Service” menu item (☞ symbol). Confirm your selection by pressing the controller.
  3. Select the “Calibrate load cell” menu item in the service menu and confirm your selection by pressing the controller.
  4. Follow the instructions on the display **(14)**.
  5. Place the 1 kg calibration weight on the portafilter support/basket holder as soon as the prompt appears on the display.
  6. Continue following the instructions on the display.
  7. Remove the calibration weight from the portafilter support/basket holder when the message that calibration has been completed appears on the display.

## Troubleshooting

Fault	Cause	Remedy
The grinder is not grinding, the display is not lit up.	<ul style="list-style-type: none"> <li>The power plug is not plugged into a socket.</li> </ul>	<ul style="list-style-type: none"> <li>→ Insert the power plug into a properly installed socket.</li> </ul>
	<ul style="list-style-type: none"> <li>The bean hopper has not been inserted.</li> </ul>	<ul style="list-style-type: none"> <li>→ Insert the bean hopper (see chapter on "Setting up the grinder and inserting the bean hopper").</li> </ul>
	<ul style="list-style-type: none"> <li>The overcurrent protection switch has been triggered.</li> </ul>	<ul style="list-style-type: none"> <li>→ Check whether the release button of the circuit breaker has popped out. Push it back in if necessary. Contact your service partner if the circuit breaker pops out repeatedly (see chapter on "Maintenance and service").</li> </ul>
	<ul style="list-style-type: none"> <li>The electrical fuse has tripped.</li> </ul>	<ul style="list-style-type: none"> <li>→ Check the electrical fuse. If required, restore the fuse to its original state or replace it. Check whether other loads are connected to this fuse and if so, pull out their plugs. Contact your service partner if the fuse repeatedly trips (see chapter on "Maintenance and service").</li> </ul>




Fault	Cause	Remedy
The grinder is making noise but not grinding.	<ul style="list-style-type: none"> <li>The grinding mechanism is clogged.</li> </ul>	<p>→ Release the grinding degree adjustment lock and set the grinding degree to "8". Start the grinding process. The grinder will clear itself. Then set the desired grinding degree setting to the desired grinding degree during operation.</p>
	<ul style="list-style-type: none"> <li>Ground coffee has built up in the grinder because of overdosing in the portafilter/ filter basket.</li> </ul>	<p>→ Clean the spout system (see chapter on "Cleaning the spout system"). Release the grinding degree adjustment lock and set the grinding degree to "10". Start the grinding process. The grinder will clear itself. Then set the desired grinding degree setting to the desired grinding degree during operation.</p>
	<ul style="list-style-type: none"> <li>The grinding degree is too fine.</li> </ul>	<p>→ Release the grinding degree adjustment lock and set the grinding degree to "10". Start the grinding process. The grinder will clear itself. Then set the desired grinding degree setting to the desired grinding degree during operation.</p>
	<ul style="list-style-type: none"> <li>A foreign object has got into the grinding mechanism.</li> </ul>	<p>→ Clean the grinding mechanism as described in the chapter on "Cleaning" and remove the foreign object in the process. If the foreign object cannot be removed, contact your service partner (see chapter on "Maintenance and service").</p>

Fault	Cause	Remedy
The grinder is not grinding, the display is permanently red.	<ul style="list-style-type: none"> <li>The grinder is not measuring.</li> </ul>	<ul style="list-style-type: none"> <li>→ The load cell must be calibrated (see chapter on “Calibrating the load cell”).</li> </ul>
The grinder is not grinding fine enough.	<ul style="list-style-type: none"> <li>The grinding discs are worn out or require readjustment.</li> </ul>	<ul style="list-style-type: none"> <li>→ Clean/change the grinding discs or adjust the grinding discs (see chapter on “Cleaning/changing the grinding discs; “Adjusting the grinding discs”).</li> </ul>
The grinder does not grind continuously or the grinding process stops intermittently.	<ul style="list-style-type: none"> <li>The start button is faulty.</li> </ul>	<ul style="list-style-type: none"> <li>→ Contact your supplier (see chapter on “Maintenance and service”).</li> </ul>
The grinder is weighing incorrectly/ imprecisely.	<ul style="list-style-type: none"> <li>The load cell has misadjusted.</li> <li>The installation location is not stable (e.g. windy, vibrations).</li> </ul>	<ul style="list-style-type: none"> <li>→ The scales must be calibrated (see chapter on “Calibrating the load cell”).</li> <li>→ Place the grinder on a level surface which is protected and vibration-free.</li> </ul>
The grinder is not dosing into the centre of the inserted portafilter support/filter basket	<ul style="list-style-type: none"> <li>The spout is not correctly aligned with the portafilter support/filter basket.</li> </ul>	<ul style="list-style-type: none"> <li>→ Correctly align the spout with the portafilter support/filter basket in use (see chapter on “Setting up the portafilter support/basket holder and spout”).</li> </ul>

Fault	Cause	Remedy
The grinder's dispensing accuracy is decreasing.	• The ambient conditions have changed, e.g. the installation location.	→ The scales must be calibrated (see chapter on "Calibrating the load cell").
	• The calibration interval has been exceeded.	→ The scales must be calibrated (see chapter on "Calibrating the load cell").
	• The spout is clogged. Too much ground coffee has been deposited in solid form inside the grinder.	→ Remove the spout or use a brush to clean the spout from the outside with the grinder switched off. Release the grinding degree adjustment lock and set the grinding degree to "10". Start the grinding process. The grinder will clear itself. Then set the desired grinding degree setting to the desired grinding degree during operation.
	• The grinder spout is damaged.	→ Contact your service partner (see chapter on "Maintenance and service").
	• The flapper is dirty.	→ Clean the flapper (see chapter on "Cleaning the flapper").
	• The flapper is faulty.	→ Change the flapper (see chapter on "Changing the flapper").
The bean hopper cannot be attached.	• There are beans in the bean hopper intake.	→ Remove the beans from the bean hopper intake.

Fault	Cause	Remedy
The grinder lid cannot be attached.	• The fixed disc flange is not mounted correctly.	→ Align the fixed disc flange correctly (see chapter on “Cleaning the grinding discs”).
	• The adjustment ring is not mounted correctly.	→ Align the adjustment ring correctly (see chapter on “Zeroing the grinding degree”).

## Technical data

Model:	E80 GbW / F80 GbW
Voltage / frequency:	100 V; 50/60 Hz 110–127 V; 60 Hz 220–240 V; 50/60 Hz
Protection type:	IPX1
Protection class:	I 
Fuse:	16 A, slow-blowing/15 A
Idle speed:	
50 Hz:	1 400 rpm
60 Hz:	1 700 rpm
Sound emission value (during grinding):	70 dBA
Grinding output (fine–coarse):	6–8 g/s*
Max. permitted operating cycle:	
100 V; 50/60 Hz:	10 double espressos/min (3 sec. on/3 sec. off)
110–127 V; 60 Hz:	10 double espressos/min (3 sec. on/3 sec. off)
220–240 V; 50/60 Hz:	10 double espressos/min (3 sec. on/3 sec. off)
Recommended pause:	3 seconds
Max. grinding time:	10 min in continuous operation
Max. daily output:	90 kg
Dimensions (B × T × H):	233 × 340 × 630 mm
Weight (net):	15 kg
Max. hopper filling quantity:	1.8 kg

\*The grinding time depends on the selected coffee bean type, the selected grinding degree and the mains frequency.

## Disposal

### Disposing of the packaging



Dispose of the packaging by correctly sorting the recyclable materials. Dispose of card and cardboard as waste paper and film as recyclable material.

### Disposing of the grinder



Old appliances may not be thrown into commercial/domestic waste! As a consumer, you are required **by law to dispose of old equipment separately from commercial/household waste**, e.g. at a collection point in your municipality/district, if you can no longer use your grinder. This ensures that old appliances are recycled professionally and negative impacts on the environment are avoided. For this reason, electrical appliances are labelled with the symbol opposite.

## Maintenance and service

In the event of service or maintenance, contact an Authorized Service Center for Mahlkönig products. Customer Service can answer your questions about repairing and maintaining your product and spare parts.

Exploded views and information on spare parts can also be found at:

[www.mahlkoenig.de](http://www.mahlkoenig.de)

[www.mahlkoenig.de/retailers](http://www.mahlkoenig.de/retailers)



Our application consulting team will be happy to help you with questions concerning our products and their accessories.

Please be sure to quote the article and serial number as stated on the grinder type plate for all enquiries and spare parts orders.

The version of the grinder is displayed in the service menu.

In case of service, please inform your dealer.

**HEMRO**

Global Coffee Grinding Solutions

**Hemro International AG**

Länggenstrasse 34 | 8184 Bachenbülach, Switzerland

**Tel.:** +41 44 864 18 00 | **Fax:** +41 44 864 18 01

[info@hemrogroup.com](mailto:info@hemrogroup.com) | [www.hemrogroup.com](http://www.hemrogroup.com)