

MIX COUNTERTOP MULTI-TEMP WATER BOILERS/ PUSH BUTTON



MIX PB3 - 110v / 220v 1001870US/1000870US	MIX PB8 1000875US	DIMENSIONS
		
<ul style="list-style-type: none"> > 0.8 or 2.1 gallon options > Up to 70% more energy-efficient > Removable drip tray 	<ul style="list-style-type: none"> > 7.5 gallons output per hour > 156 cups per hour 	

SEE TABLE FOR
PRODUCT DIMENSIONS

PROGRAMMABLE FOR ON-DEMAND AND ACCURATE WATER DELIVERY IN THREE SEPARATE TEMPERATURES AND VOLUMES.

BOILERS

NAME ORDER CODE	POWER @ 230V	IMMEDIATE DRAW OFF	DIMENSIONS (D x W x H inches)	NEMA	TAP TO COUNTER (inches)	PLUMBING REQS
MIX PB3 - 220v 1000870US	2.8kW	0.8 GAL	17 x 8.2 x 16.5	L6-20P	5	3/8" Compression or 3/8" John Guest
MIX PB3 - 110v 1001870US	1.4kW @ 110v			5-15p		
MIX PB8 - 220v 1000875US	2.8kW	2.1 GAL	17 x 8.2 x 23.3	L6-20P		

PACKAGING

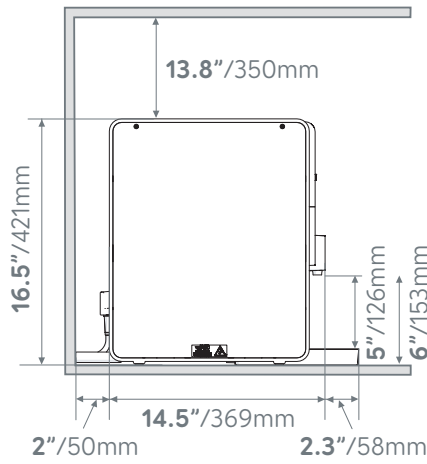
NAME ORDER CODE	PACKED WEIGHT	PACKAGING DIMENSIONS (L x W x H inches)	QTY / PALLET
MIX PB3 - 220v 1000870US	25lb	17.7 x 11.4 x 21.2	24
MIX PB3 - 110v 1001870US			
MIX PB8 - 220v 1000875US	30.8lb	17.7 x 11.4 x 27.5	18

MIX COUNTERTOP MULTI-TEMP WATER BOILERS/ PUSH BUTTON

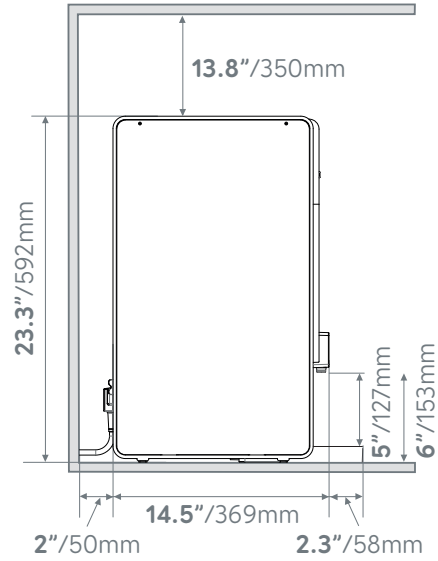


MIX PB3 & MIX PB8

MIX PB3 1000870US
MIX PB3 (110v) 1001870US



MIX PB8 1000875US



VENTILATION REQUIREMENTS

50mm/1.9" clearance required at each side and back of machine if installed in an enclosed cabinet.

ELECTRICAL INSTALLATION PROCEDURE

When installing the machine, always observe the local regulations and standards. The appliance is supplied with a NEMA L6-20P moulded power cord. A suitable mains power supply socket should be available within easy access of the appliance so that it can be disconnected easily after install.

PLUMBING INSTALLATION PROCEDURE

- Ensure that the equipment is installed according to local plumbing & water regulations.
- Mains water pressure required (limits): 14.5 - 145psi (100 - 1000kPa, 0.1 - 1MPa).
- Requires inline water filter within your water specifications.
- The machine is supplied with a 3/8" Compression or 3/8" John Guest.
- Turn on the water to flush any impurities, dust etc from the inlet hose and water pipe. Allow several litres through. Especially for new installations.
- Connect the hose to the inlet valve of the boiler. Make sure a sealing washer is fitted.
- Turn on water and check for leaks.

OPERATING BOILER FOR THE FIRST TIME

- Check that all installation procedures have been carried out.
- Ensure water valve is on.
- Plug boiler into suitable socket.
- Turn on the power switch.
- The "Wait" progress circle will be visible on the screen and the machine will fill to a safe level, above the elements, before heating.
- The "Ready" tick will come up on screen when the machine is full and up to normal operating temperature (approx. 10/20 mins.).
- The boiler is now ready for use - the display will show the button settings and the "Ready" status tick.
- The Boiler may now be used to dispense Hot Water to the preset factory settings.

NOTE: Because the boiler is electronically controlled no priming is necessary. The element cannot switch on until a safe level of water is reached.