



# G4 GEMX™ IntelliFresh® Coffee Brewing System with FreshTrac® Satellite



Style varies. Model G4GEMXSIFT shown.

## READ AND SAVE THESE INSTRUCTIONS

**NOTICE TO INSTALLER:** Please leave this booklet with the machine.

Key Features/Specifications/System Requirements..... FS69

Important Safeguards .....IS2

Important Safeguards (EC Directives).....IS15

Installation Instructions (General)..... II2

Installation Instructions (Leveling, Water Supply, Electrical) ..... II14

Operating Instructions ..... OI51

IntelliFresh® Features ..... IF2

Cleaning Instructions (Brewer) ..... CI1

Cleaning Instructions (Satellite)..... CI29

Programming Guide ..... PG1

Rough-In Drawing..... RD71

Rough-In Drawing (Satellite) ..... RD72

Illustrated Parts/Recommended Parts.....IP120

Illustrated Parts/Recommended Parts (Tank Assembly, Twin, 3 Element) .....IP26

Illustrated Parts/Recommended Parts (Tank Assembly, Twin, Dual Element).....IP197

Illustrated Parts/Recommended Parts (Tank Assembly, Single, 220-240 Volt, Dual Element).....IP31

Illustrated Parts/Recommended Parts (Tank Assembly, Single, 120/220 Volt).....IP32

Illustrated Parts/Recommended Parts (Tank Assembly, Single, 200-240 Volt, Single Element) .....IP194

Electrical Schematic (G4GEMXSIFT63)..... ES1

Electrical Schematic (G4GEMXTIFT10)..... ES38

Electrical Schematic (G4GEMXSIFT30)..... ES39

Electrical Schematic (G4GEMXSIFT31)..... ES147

Electrical Schematic (G4GEMXTIFT30)..... ES40

Electrical Schematic (G4GEMXSIFT33)..... ES150

Electrical Schematic (G4GEMXTIFT33)..... ES151

Electrical Schematic (G4GEMXTIFT38)..... ES155

Electrical Schematic (G4GEMXTIFT39)..... ES161

Electrical Schematic (GEM3XIFT)..... ES108

Electrical Schematic (GEM3XIFT30)..... ES133

Troubleshooting Guide (General) ..... TG3

Troubleshooting Guide (SSR Circuit) ..... TG7

Troubleshooting Guide (Intellifresh Circuit) ..... TG35

Troubleshooting Guide (Diagnostics) ..... TG11

Error Codes ..... EC1

Product Warranty..... PW1

**Contact Information**

**Wilbur Curtis Co., Inc.**

6913 Acco Street | Montebello, CA 90640 US

Phone: 323-837-2300 | Toll Free: 800-421-6150

Email: [cstrassistance@wilburcurtis.com](mailto:cstrassistance@wilburcurtis.com) | Web: [www.wilburcurtis.com](http://www.wilburcurtis.com)

For the latest specifications and information go to [www.wilburcurtis.com](http://www.wilburcurtis.com)

Toll Free: 800-995-0417 | Monday - Friday 5:30 A.M. - 4:00 P.M. PT

Email: [techsupport@wilburcurtis.com](mailto:techsupport@wilburcurtis.com)

Due to continued product improvement, the products illustrated/photographed in this guide may vary slightly from the actual product.

## Key Features

- Generation Four (G4) Digital Control Module – provides precise control over all aspects of brewing: time, temperature, volume plus specialty coffee needs from pre-infusion to pulse-brewing to water bypass. Large, 4.3" touch screen with icon-driven interface, streamlines operation. On-screen instructions provide fast, intuitive training; reduces service calls.
- Built-in Self Diagnostic System – Includes real-time feedback of the brewing process and energy saving mode.
- Field selectable for 0.5, 1.0 or 1.5 gal. (1.9, 3.8 or 5.7 L) batch brewing.
- IntelliFresh® Technology – Temperature and time information follows the satellite.
- LED notification of freshness timing.
- Industry's most effective mineral tolerant design.

## Specifications (Selected Models)

### Electrical Supply Requirements

| MODEL #       | DESCRIPTION                        | PHASE | VOLTS     | AMPS        | HEATING CONFIG | WIRE                | WATTS       | HERTZ    | CAPACITY                                |
|---------------|------------------------------------|-------|-----------|-------------|----------------|---------------------|-------------|----------|---|
| G4GEMXSIFT30x | Single, 1.5 Gal. w/IntelliFresh    | 1 PH  | 230 V     | 19.2 A      | 2 X 2000 W     | 2W + G              | 4426 W      | 50/60 Hz | 12.0 gal./hr.<br>[45.4 L/hr.]           |
| G4GEMXSIFT31x | Single, 1.5 Gal. w/IntelliFresh    | 1 PH  | 220-240V  | 11.9-13.0A  | 1 X 2500 W     | 2W + G<br>(1/N/PE)  | 2624-3122 W | 50/60 Hz | 9.0 gal./hr.<br>[34.1 L/hr.]            |
| G4GEMXSIFT33x | Single, 1.5 Gal. w/IntelliFresh    | 1 PH  | 200 V     | 15.0 A      | 1 X 3500 W     | 2W + G              | 2990 W      | 50/60 Hz | 9.0 gal./hr.<br>[34.1 L/hr.]            |
| G4GEMXSIFT63x | Single, 1.5 Gal. with IntelliFresh | 1 PH  | 120/220 V | 13.5/13.5 A | 2 X 1600 W     | 2W/3W + G           | 1650/2800 W | 50/60 Hz | 4.5/10.0 gal./hr.<br>[17.0/37.9 L/hr.]  |
| G4GEMXTIFT10x | Twin, 1.5 Gal. with IntelliFresh   | 1 PH  | 220 V     | 23.0/34.0 A | 3 X 2500 W     | 3W + G              | 5100/7500 W | 50/60 Hz | 15.0/21.0 gal./hr.<br>[56.8/79.5 L/hr.] |
| G4GEMXTIFT30x | Twin, 1.5 Gal. w/IntelliFresh      | 1 PH  | 230 V     | 24.2 A      | 2 X 2500 W     | 2W + G              | 5574 W      | 50/60 Hz | 15.0 gal./hr.<br>[56.8 L/hr.]           |
| G4GEMXTIFT33x | Twin, 1.5 Gal. w/IntelliFresh      | 1 PH  | 200 V     | 17.5 A      | 2 X 2000 W     | 2W + G              | 3500 W      | 50/60 Hz | 10.0 gal./hr.<br>[37.9 L/hr.]           |
| G4GEMXTIFT38x | Twin, 1.5 Gal. w/IntelliFresh      | 3 PH  | 380-415 V | 11.7-12.8A  | 3 X 2500 W     | 4W + G<br>(3P/N/PE) | 7715-9202 W | 50/60 Hz | 30.0 gal./hr.<br>[113.5 L/hr.]          |
| G4GEMXTIFT39X | Twin, 1.5 Gal. w/Intellifresh      | 3 PH  | 380-415 V | 11.7-12.8A  | 3 X 2500 W     | 3W + G<br>(3P/PE)   | 7715-9202 W | 50/60 Hz | 30.0 gal./hr.<br>[113.5 L/hr.]          |

### Dimensions

### Water Supply Requirements

| MODEL #   | HEIGHT              | WIDTH               | DEPTH               | SHIP WEIGHT           | SHIP CUBE                              | WATER CONNECTOR | WATER PRESSURE                 | MIN. FLOW RATE       |
|---|---------------------|---------------------|---------------------|-----------------------|--|-----------------|--------------------------------|----------------------|
| G4GEMXSIFT30x<br>G4GEMXSIFT31x<br>G4GEMXSIFT33x<br>G4GEMXSIFT63x                  | 31.87"<br>[81.0 cm] | 10.50"<br>[26.7 cm] | 22.68"<br>[57.6 cm] | 51.0 lb.<br>[23.1 kg] | 7.0 cu. ft.<br>[0.20 m <sup>3</sup> ]  | 3/8" flare      | 20 - 90 psi<br>[138 - 620 kPa] | 1.0 gpm<br>[3.8 Lpm] |
| G4GEMXTIFT10x<br>G4GEMXTIFT30x<br>G4GEMXTIFT33x<br>G4GEMXTIFT38x<br>G4GEMXTIFT39X | 31.87"<br>[81.0 cm] | 18.17"<br>[46.1 cm] | 22.68"<br>[57.6 cm] | 85.0 lb.<br>[38.6 kg] | 10.9 cu. ft.<br>[0.31 m <sup>3</sup> ] | 3/8" flare      | 20 - 90 psi<br>[138 - 620 kPa] | 2.0 gpm<br>[7.6 Lpm] |

Following are the factory default settings for the IntelliFresh brewer:

- Brew Temperature = 200°F [92°C]
- Water Bypass = On LARGE and MEDIUM brew only
- Brew Volume = Large-Medium-Small
- Energy Save Mode = Off
- Quality Timer = 120 Minutes
- Warmer Auto-Off = 18 Hours

**Symbols**



This is the safety alert symbol. It is used to alert you to potential physical injury hazards. Obey all safety messages that follow this symbol to avoid possible injury or death.



**DANGER** - Indicates a hazardous situation which, if not avoided, will result in death or serious injury.



**WARNING** - Indicates a hazardous situation which, if not avoided, could result in death or serious injury.



**CAUTION** - Indicates a hazardous situation which, if not avoided, could result in minor or moderate injury.



**NOTICE** - Indicates a situation which, if not avoided, could result in property damage.



**IMPORTANT** - Provides information and tips for proper operation.



**SANITATION REQUIREMENTS**



**WARNING** - This product can expose you to chemicals including Acrylamide and Bisphenol A (BPA), which are known to the State of California to cause cancer and birth defects or other reproductive harm. For more information visit [www.P65Warnings.ca.gov](http://www.P65Warnings.ca.gov).

**Important Safeguards/Conventions**



**WARNING:**

- Make sure that this appliance is installed and grounded according to the INSTALLATION INSTRUCTIONS by qualified personnel before attempting to use it. Failure to follow the INSTALLATION INSTRUCTIONS could result in personal injury or void the warranty.
- This appliance is designed for commercial use. Any service other than cleaning and preventive maintenance should be performed by an authorized Wilbur Curtis service technician.
- To reduce the risk of fire or electric shock, DO NOT open the service panels. There are no user serviceable parts inside.
- Keep hands, arms and other items away from hot surfaces of the unit during operation.
- Clean the appliance and any dispensers completely before using them for the first time according to the CLEANING INSTRUCTIONS. Clean them regularly as instructed in the CLEANING INSTRUCTIONS.
- Use this appliance only for its intended use, brewing/dispensing hot and/or cold beverages/water.
- This appliance is not intended for use by persons (including children) with reduced physical, sensory or mental capabilities or lack of experience and knowledge, unless they have been given supervision or instruction concerning use of the appliance by a person responsible for their safety. Children should be supervised to ensure that they do not play with the appliance.
- Avoid spillage onto the power (mains) connector.

## CE Requirements

- This appliance must be installed in locations where it can be overseen by trained personnel.
- For proper operation, this appliance must be installed where the temperature is between 5°C to 35°C.
- This appliance is not suitable for outdoor use.
- This appliance shall not be tilted more than 10° for safe operation.
- An electrician must provide electrical service as specified in conformance with all local and national codes. For safe use, an all-pole disconnection must be incorporated into the fixed wiring in accordance with the wiring rules outlined in clause 7.12.2 of IEC 60335 for meeting the minimum electrical safety of this standard.
- This appliance must not be cleaned by water jet.
- This appliance can be used by persons aged from 18 years and above if they have been given supervision or instruction concerning use of the appliance in a safe way and if they understand the hazards involved.
- Keep the appliance and its cord out of reach of children aged less than 18 years.
- Appliances can be used by persons 18 years and above with reduced physical, sensory or mental capabilities or lack of experience and knowledge if they have been given supervision or instruction concerning use of the appliance in a safe way and understand the hazards involved.
- Children under the age of 18 years should be supervised to ensure they do not play with the appliance.
- If the power cord is ever damaged, it must be replaced by the manufacturer or authorized service personnel with a special cord available from the manufacturer or its authorized service personnel in order to avoid a hazard.
- Machine must not be immersed for cleaning.
- Cleaning and user maintenance shall not be made by children unless they are older than 18 years and supervised.
- This appliance is intended to be used in household and similar applications such as:
  - staff kitchen areas in shops, offices and other working environments;
  - by clients in hotels, motels and other residential type environments;
  - bed and breakfast type environments.
- This appliance not intended to be used in applications such as:
  - farm houses
- Access to the service areas permitted by Authorized Service personnel only.
- The A-Weighted sound pressure level is below 70 dBA.

## Disposal of Equipment

- This product contains plastic, metal and electronic components and is considered e-waste. At the end of its life, this product must not be disposed of in normal household waste but can be instead delivered to a collection point for recycling electric and electronic appliances, consult with the local municipality for proper disposal guidelines.

### European Regulations and Directives

- This appliance meets the requirements of all applicable regulations in Regulation 1907/2006/EU (REACH), Directive 2011/65/EU (ROHS) and its amendment (EU) 2015/863, Directive 2012/19/EU (WEEE), Directive 2014/30/EU (EMC), Directive 2006/42/EC (Machinery) and Directive 2014/35/EU (LVD).
- The declaration of conformity is included with this appliance. The appliance bears the CE mark.
- This appliance is subject to the directive on waste electrical and electronic equipment (WEEE/ EU directive). Do not dispose of this appliance in domestic waste. Contact your local governing authorities for information on disposal requirements.
- Any modifications to equipment that are not approved by the Wilbur Curtis Company will render this declaration invalid.





**WARNING:** Installation is to be performed only by a qualified installer.



**WARNING:** Improper electrical connection may result in an electric shock hazard or damage the unit. This appliance must be properly grounded.



**NOTICE:** DO NOT connect this appliance to a hot water supply. The water inlet valve is not rated for hot water. Do not exceed the maximum water pressure stated in the **SPECIFICATIONS** section.



**IMPORTANT:** Observe all governing codes and ordinances.

## Installation Instructions

### Installation Requirements

- A secure surface capable of supporting the weight of the appliance.
- For units without an attached cord set attached or dual voltage units set up for use with 220 - 240 Volts: Appropriately sized, UL listed, grounding type power cable to meet the electrical specifications for the appliance. If you have questions about the correct cable size and length, consult a qualified installer. If the appliance will be hard wired to a junction box, the power cable must be long enough so that the unit can be moved for cleaning underneath.
- A grounded electrical connection to an electrical circuit that meets the electrical specifications of the appliance (see **SPECIFICATIONS**). The circuit must be protected by the appropriate sized circuit breaker. If you are not certain that the existing circuit meets the requirements for your unit, consult a licensed electrician.
- A water filtration system is required to maintain trouble-free operation. Wilbur Curtis Co., Inc. recommends a Wilbur Curtis approved water filter. See the Curtis Equipment Catalog for a full line of Wilbur Curtis approved water filters.
- Potable water supply line connection from the water filter capable of supplying the minimum flow rate required by the specifications. The water supply line must be able to connect to the flare fitting on the back of the unit. See the **SPECIFICATIONS** section for the correct size. The water line should also be capable of being controlled by a shut off valve. Do not connect the water line to a saddle valve or needle valve.

IEC requires the following water connection:

- 1 A quick disconnect or additional coiled tubing (at least two times the depth of the appliance) is required so that it can be moved for cleaning underneath.
- 2 This equipment is to be installed with adequate back-flow protection to comply with applicable federal, state and local codes.
- 3 Water pipe connections and fixtures directly connected to a potable water supply shall be sized, installed and maintained in accordance with federal, state and local codes.

The International Plumbing Code of the International Code Council and the Food and Drug Administration (FDA) Food Code manual, direct that this equipment must be installed with adequate back-flow prevention in compliance with federal, state and local codes. For units installed outside of the U.S.A., make sure that the installation is in compliance with the applicable plumbing/sanitation code for your area.

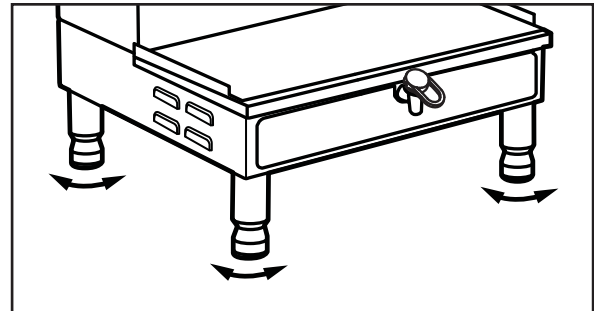
**Installation**

**Leveling**



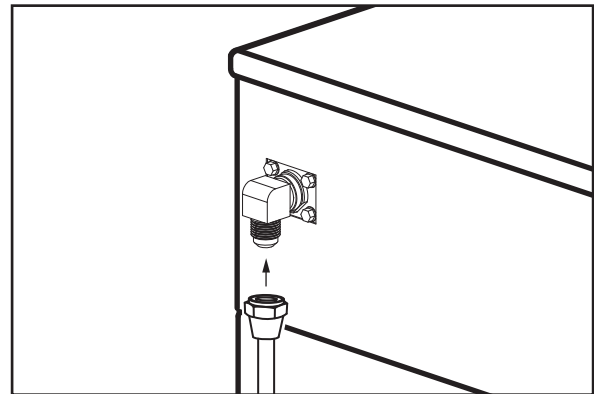
**WARNING:** Use the leveling legs to level the brewer only. Do not use them to adjust brewer height. Do not extend them higher than necessary.

- 1 Position the brewer on the counter top. Level it left to right and front to back by turning the bottom of the legs.



**Connect the Water Supply**

- 2 Flush the water supply line prior to installation to purge air and debris from the water filter and tubing.
- 3 Connect the water supply line to the flare fitting on the back of the brewer. Leave the water supply valve closed until the power is connected.



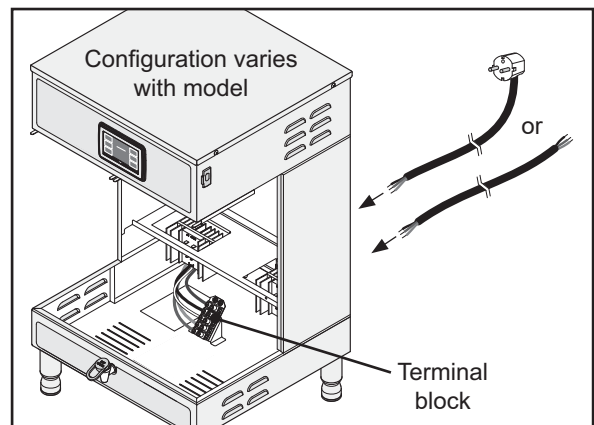
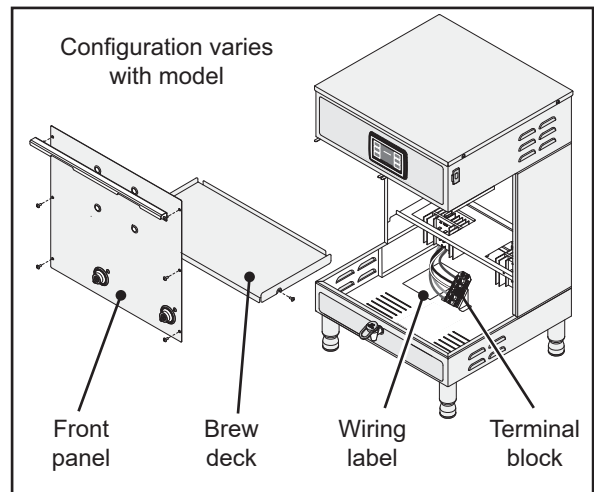
**Setting Up 120/220 Volt Units for 220-240 Volt**



**WARNING:** Do not connect the power cord to the power supply until instructed to do so.

**Operation**

- 4 Remove the front cover.
- 5 Loosen the strain relief on the back of the brewer.
- 6 Disconnect the existing power cable from the terminal block and remove.
- 7 Feed the 220-240 Volt power cable through the strain relief, into the brewer. The brewer may be wired for connection directly to a junction box or for use with a power plug that connects to an electrical outlet meeting the brewer **SPECIFICATIONS**.
- 8 Disconnect and cap the jumper wire between the “C” and “N” terminals on the terminal block.
- 9 Connect the wires on the power cable to the terminal block inside the brewer according to the **ELECTRICAL SCHEMATIC**.
- 10 Tighten the strain relief and replace the front cover.





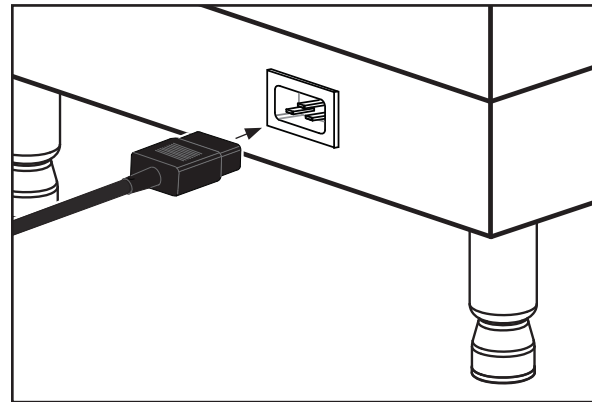
**Connecting the Brewer Wiring (Units That Come from the Factory Without a Power Cord Attached)**



**WARNING:** Do not connect the power cord to the power supply until instructed to do so.

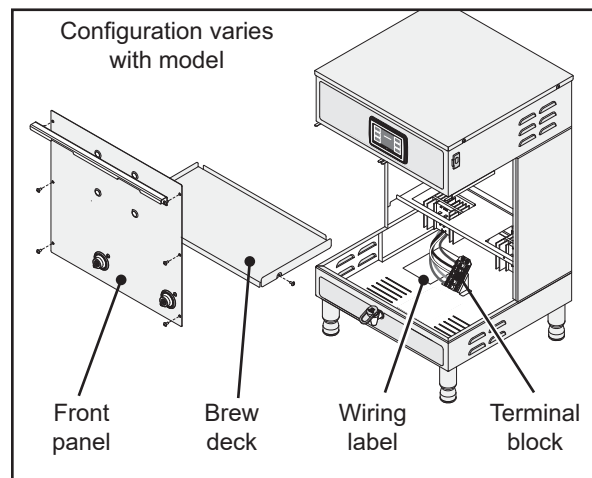
**Brewers With Power Connector Mounted to the Back**

- 11 Connect a C20 IEC power cord (not supplied) compatible with the electrical outlet installed in the facility and that meets specifications.

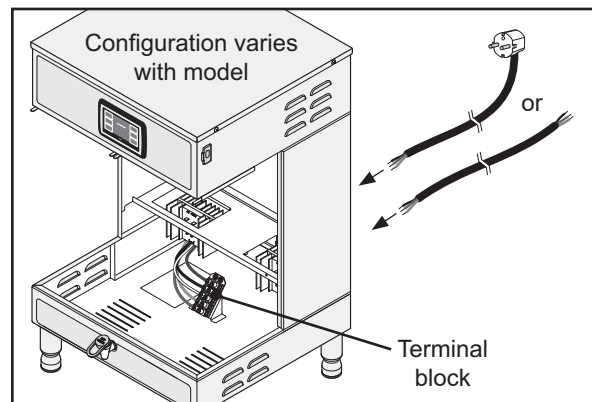


**Brewers With Strain Relief Mounted to the Back**

- 12 Remove the front cover by removing the screws that hold it in place.
- 13 Loosen the strain relief on the back of the brewer.



- 14 Feed the power cable into the brewer. The brewer may be wired for connection directly to a junction box or for use with a power plug that connects to an electrical outlet meeting the brewer **SPECIFICATIONS**.



- 15 Connect the wires on the power cable to the terminal block inside the brewer as specified. See the **ELECTRICAL SCHEMATIC**.

- 16 Tighten the strain relief and replace the front cover.

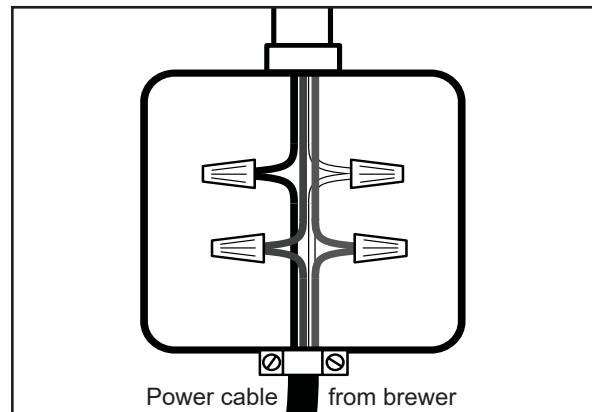
**Electrical Connection**

**Connection to a Junction Box**



**WARNING:** Turn off power to the junction box at the circuit breaker panel and lock out and tag the circuit breaker before connecting the power cable to the junction box.

- 17 Connect the power cable wires to the terminals in the junction box and replace the cover. See the **ELECTRICAL SCHEMATIC** for the power supply requirements.



Connection to an Electrical Outlet

- 18 If not already installed, install the appropriate type of power plug for your locality. Consult local electrical codes to determine the approved type of power plug for your region.
- 19 Connect the power plug to the electrical outlet.



**WARNING:** Connect the power cord only to the appropriate type and size electrical outlet. If it is not compatible, either have the cord replaced or have the electrical outlet upgraded by a licensed electrician. Do not use an extension cord. Do not use a power cord/plug that is damaged.

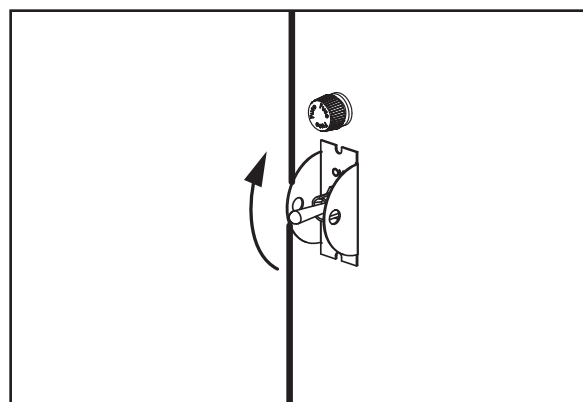
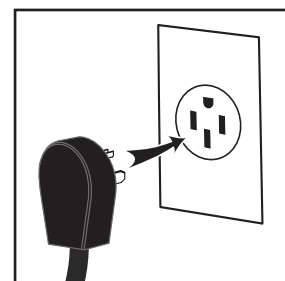
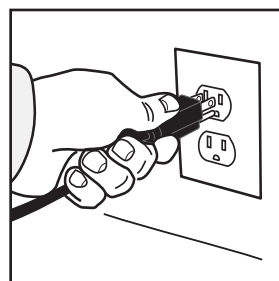
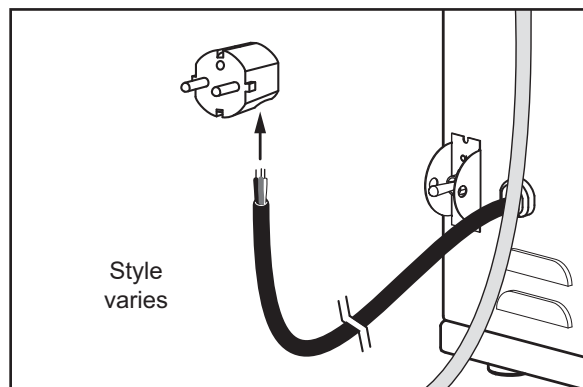
**Power Up the Brewer**

- 20 Turn on the water supply valve.
- 21 Make sure that the circuit breaker supplying power to the unit is on.
- 22 Turn the toggle switch on the back of the brewer to the ON position. The water tank will start to fill. While the tank is filling, inspect the water supply line for leaks.
- 23 Go to the **PROGRAMMING GUIDE** section and program the brewer for the correct model and batch number.
- 24 When the water level in the tank rises to the correct volume, the heating elements will turn on automatically. Depending on the incoming water temperature and the electrical specifications, the water tank typically requires 20 to 30 minutes to reach the factory set operating temperature. When the water has heated, "Ready to Brew" should be on the display.



**IMPORTANT:** When operating the brewer at higher elevations, reduce the factory set operating temperature (200°F/92°C) by 2°F/1°C for each 1000 ft./300 m of elevation above 4000 ft./1200 m. See the **PROGRAMMING GUIDE** section.

- 25 Before brewing for the first time, dispense 12 oz./350 ml of hot water through the hot water faucet to help purge air from the tubing inside the brewer.
- 26 Brew a cycle of at least 12 oz./350 ml, to purge any remaining air from the tubing. See **OPERATING INSTRUCTIONS**. During the initial brew cycle and whenever the filter is replaced, you may hear the sounds of air being purged from the filter, tubing and water tank.

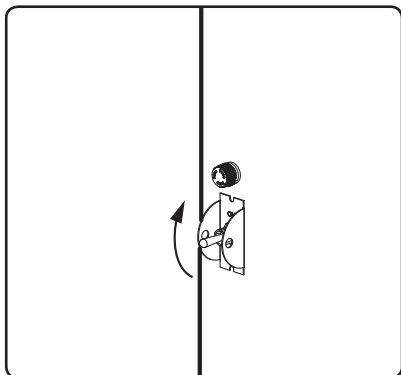


### Brewing Instructions

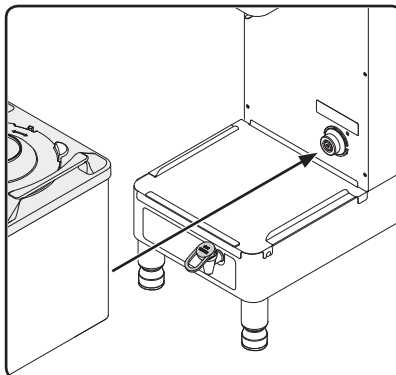
**WARNING - TO AVOID SCALDING, AVOID SPLASHING.** Keep body parts clear of the brewer during brewing. Do not remove the brew basket while “Brewing” appears on the display.

**NOTICE -** Only use GEM3XIFT IntelliFresh® satellites on GEMX™ series IntelliFresh brewers.

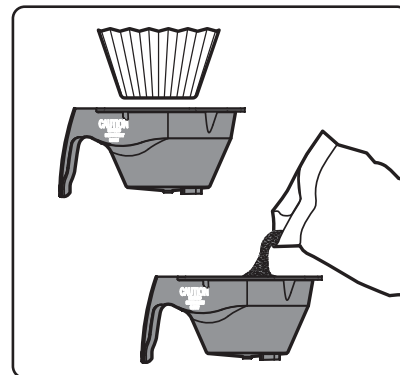
The G4 GEMX Intellifresh brewer is factory preset for optimal performance.



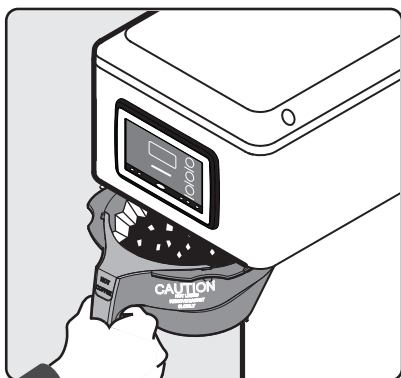
1 The brewer should be ON. Confirm this at the rear toggle switch. “Ready to brew” should be on the display.



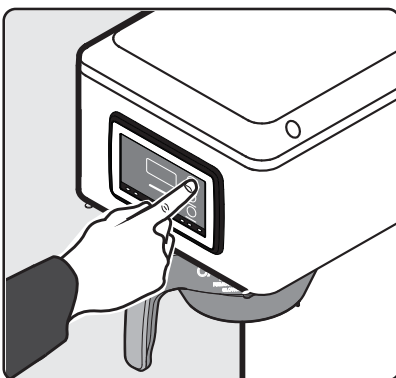
2 Place an empty IntelliFresh satellite under the brew basket. Make sure the satellite is pushed all the way back against the front cover and is making contact with the electrical socket.



3 Insert a clean paper filter into the brew basket. Fill with the proper amount of ground coffee. Level the coffee in the filter.



4 Slide the filled brew basket into the brew rails under the control panel. Slide it all the way back until it stops.



5 Hold your finger on the appropriate brew icon. As soon as you hear the click of the brew valve, lift your finger. Brewing will begin.

| ENTER BREW CODE |   |    |
|-----------------|---|----|
| 1               | 2 | 3  |
| 4               | 5 | 6  |
| 7               | 8 | 9  |
| Del             | 0 | OK |

6 If a keypad appears on the display, the brew code feature is enabled (default is off). **Brewing will start immediately after you enter the brew code.** See the *PROGRAMMING GUIDE* to set up/disable the brew code.

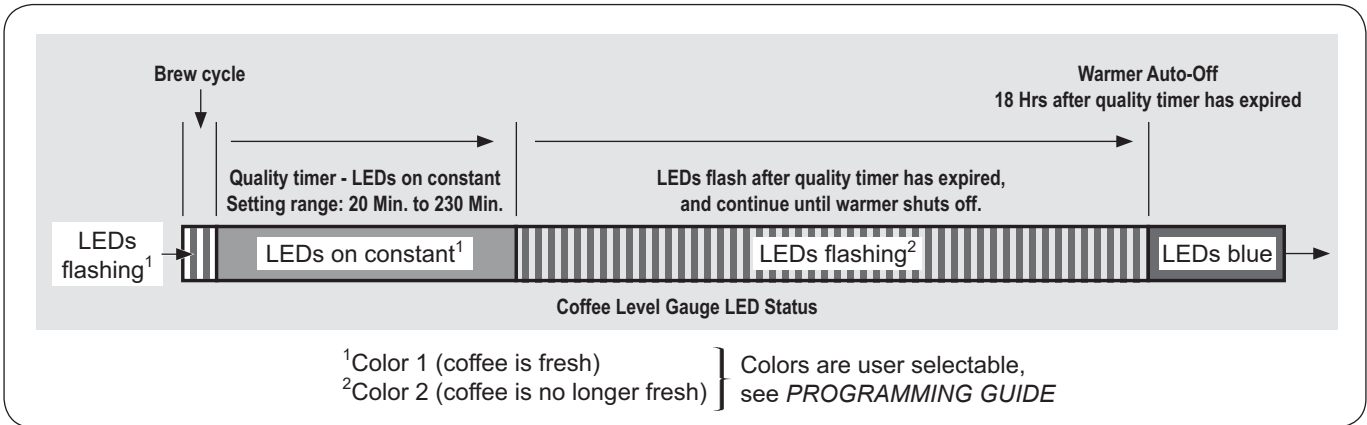
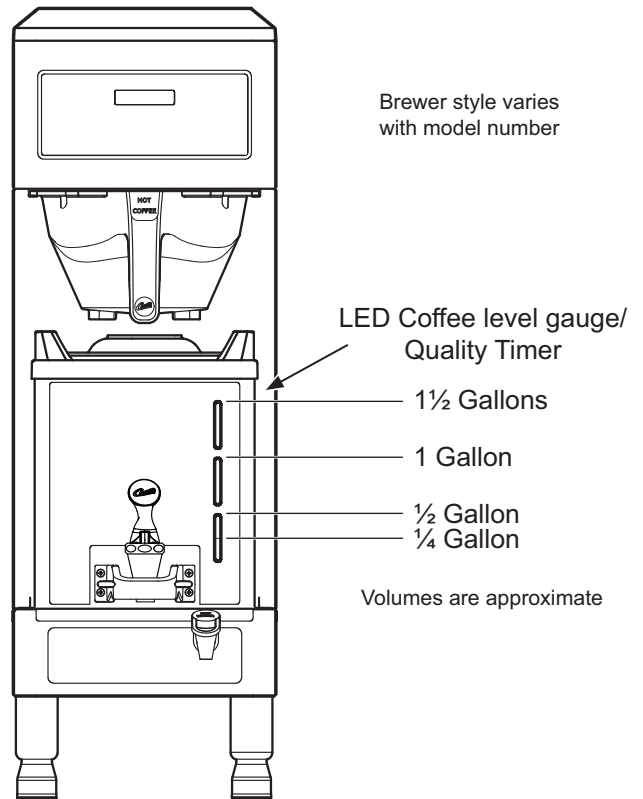
The brewer will brew coffee based on the settings programmed into the universal control module (UCM). To change the settings, see the *PROGRAMMING GUIDE* section.

**IntelliFresh Function and Features**

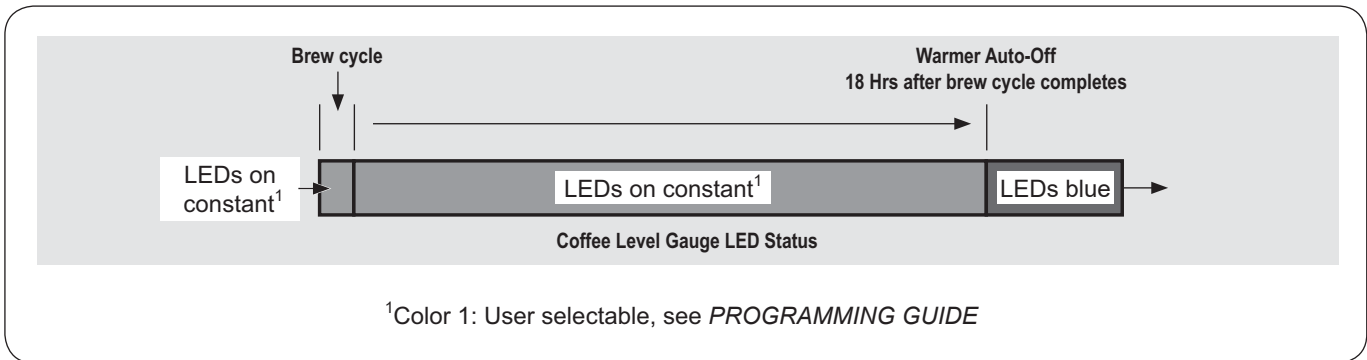
The LED coffee level gauge on the front of the dispenser is also the indicator for the IntelliFresh Quality Timer system. When the quality timer is set to on (default), it alerts you to when the coffee has exceeded the programmed freshness time. The Quality Timer is activated via a signal sent through corresponding connectors from the brewer to the dispenser. When the warmer (automatically) shuts off, the coffee level gauge turns blue, provided there is still coffee in the dispenser. Otherwise the LEDs turn off completely.

See the **PROGRAMMING GUIDE** to change the Quality Timer settings, including freshness (quality) time and LED color.

**i NOTE:** After the brew cycle is complete, if the GEMX dispenser is transferred from the brewer to a Curtis IntelliFresh warmer stand, the following dispenser settings will remain the same: Quality Timer, Warmer Default (heat setting) and dispenser (Intellifresh) Color Scheme.



**LED Coffee Level Gauge - Intellifresh Quality Timer ON**



**LED Coffee Level Gauge - Quality Timer OFF**



**WARNING: HOT SURFACES** - To avoid injury, allow the brewer and dispenser(s) to cool before cleaning.



**NOTICE** - Do not use cleaning liquids, compounds or powders containing chlorine (bleach) or corrosives. These products promote corrosion and will damage the finishes. **USE OF THESE PRODUCTS WILL VOID THE WARRANTY.**

---

### Cleaning The Brewer - Daily

---



**WARNING:** DO NOT immerse the brewer in water or any other liquid.

---

**The brewer should be OFF.** Turn the brewer off by flipping the rear toggle switch to the OFF position.

- 1 Remove the dispenser(s). Wipe exterior brewer surfaces with a damp cloth to remove spills and debris.
- 2 Remove the brew basket(s) and clean them in a mild detergent solution. Use a soft bristled brush for hard to clean areas. Rinse with clean water, then dry.
- 3 Wipe the spray head area with a cloth soaked in a mild detergent solution. Rinse with a cloth soaked with clean water removing any residual detergent. Use a clean, soft cloth to dry.
- 4 Dump out the drip tray(s) (if applicable). Rinse with clean water, then dry with a soft, clean cloth.

### Cleaning The Brewer - Weekly

**The brewer should be OFF.** Turn the brewer off by flipping the rear toggle switch to the OFF position.

- 1 Remove the spray head(s), unscrewing counterclockwise from the dome plate.
- 2 Thoroughly clean and rinse the dome plate area.
- 3 Clean the brew basket rails with a brush soaked with a mild detergent solution. Rinse the area with a cloth soaked with clean water, removing any residual detergent.
- 4 Dry the area with a soft, clean cloth.
- 5 Reattach the spray head(s).

## Cleaning the Dispenser (Daily)

The following cleaners are required to properly maintain the dispenser:

- Mild solution of dish-washing detergent and warm water
- TABZ™ Z95 Coffee Equipment Cleaner Tablets (Curtis PN WC-79000)
- One-Pro Beverage Equipment Cleaner (Curtis PN WC-79001)



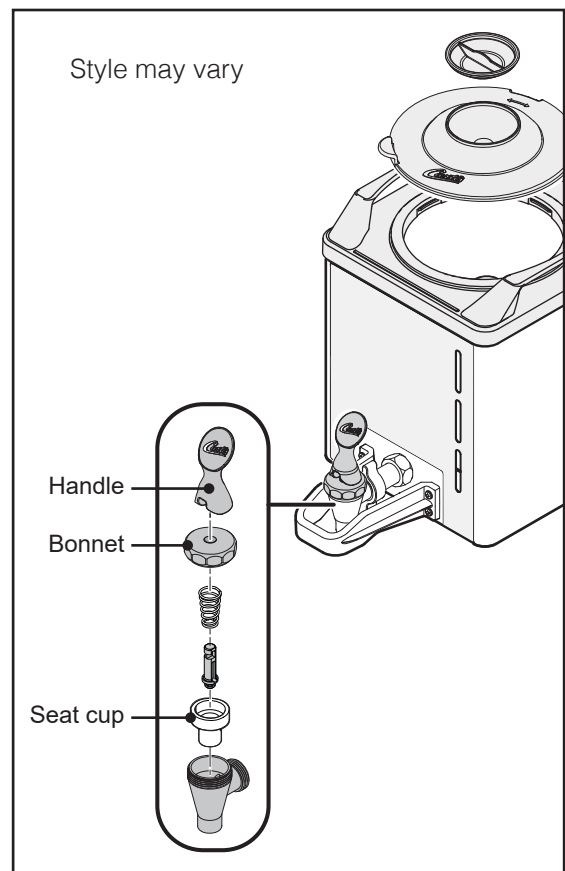
**WARNING:** DO NOT immerse the dispenser in water or any other liquid. Do not place the dispenser in a dishwasher. Doing so will void the warranty. Do not use harsh powders or cleansers containing chlorine. Do not use a wire brush or scouring pad to clean inside the liner. **To avoid damage, DO NOT use a brush to clean the faucet or the inside of the faucet shank (outlet).**



**IMPORTANT:** Clean the dispenser daily to avoid the build up of coffee oil residue on the Intellifresh® sensors inside the liner. Residue build up may cause the Intellifresh indicator to malfunction.

### Cleaning the Liner

- 1 Remove the dispenser from the brewer and remove the lid. Set the lid aside. Rinse out the liner.
- 2 **Wash** - Prepare a mild solution of detergent and warm water. Wipe the exterior surfaces of the dispenser with a sponge moistened with the detergent solution to remove spills and debris. Fill the liner with the detergent solution. Take a soft nylon brush and scrub out the stainless steel liner.
- 3 **Rinse** - Rinse out the liner with clean, warm water.
- 4 **Sanitize** - Drop one TABZ Z95 tablet into the liner. Fill to the top with hot water (122°F/50°C min.). Stir the contents. Allow the liner to soak for 5 to 10 minutes.
- 5 Open the faucet and drain out the dispenser (to clean the faucet shank).
- 6 Fill the liner to the top with clean, warm water and drain through the faucet (to rinse the faucet shank).
- 7 Fill the liner to the top with water a second time and drain through the faucet.
- 8 Disassemble the faucet - Unscrew the handle/bonnet assembly from the top of the faucet and remove it. Inspect the seat cup for wear. Replace the seat cup if it is damaged.
- 9 **Air Dry** - Turn the dispenser upside down and allow to air dry.

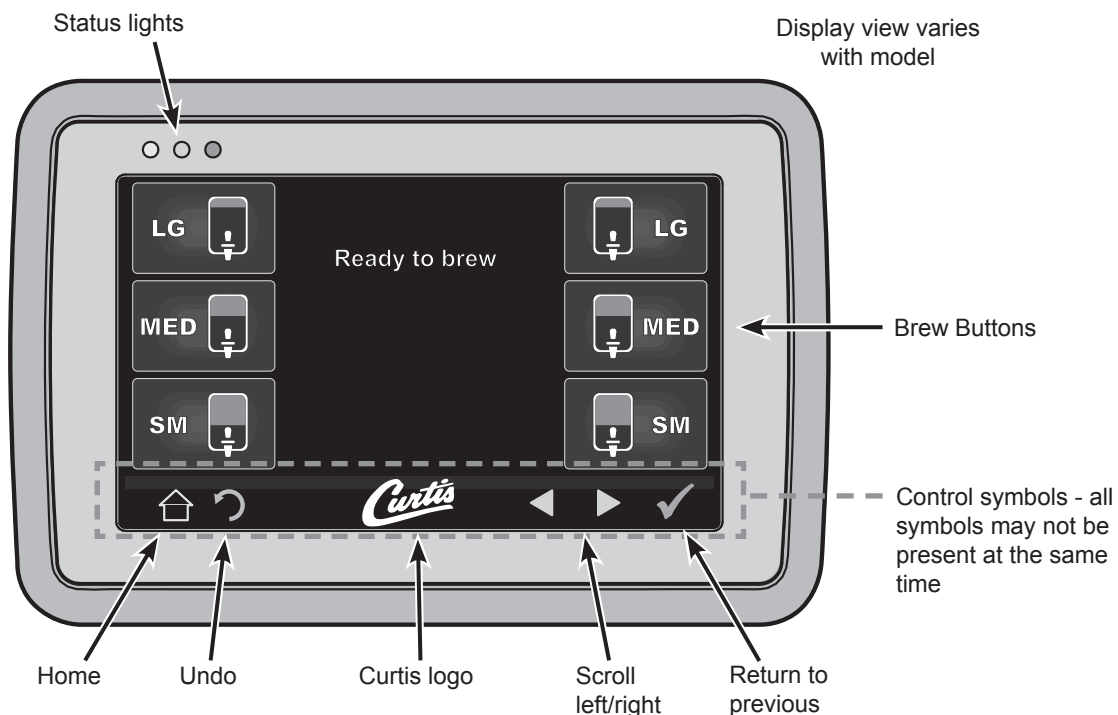


continued...

### Touchscreen Control Module Overview

The touchscreen turns on whenever the rear toggle switch is on. The symbol buttons on the screen control operation and programming. Pressing the on-screen symbols and buttons with your finger tip activates the various functions. The default screen, as well as additional control buttons are shown below.

There are two methods for changing the default settings on G4 brewers. The settings can be programmed manually using the brewer touch screen (see below), or automatically using the USB (Universal Serial Bus) data port on the side of the brewer (see *Automatic Programming - USB*).



### Manual Programming Mode

- 1 Tap the (white) Curtis logo on the touchscreen five (5) times to enter programming mode.

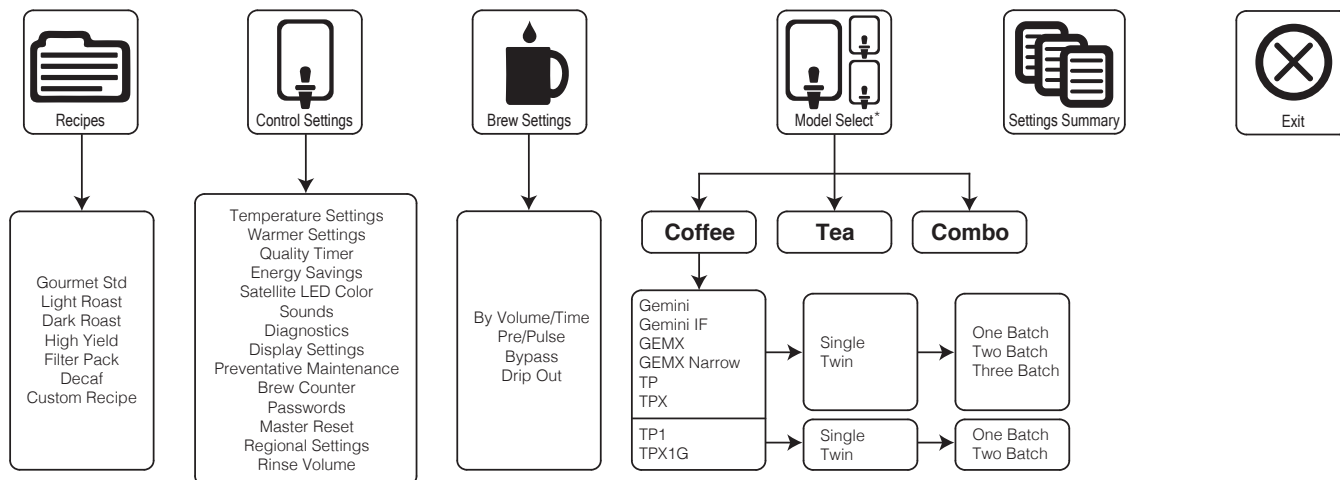
| ENTER ACCESS CODE |   |    |
|-------------------|---|----|
| 1234              |   |    |
| 1                 | 2 | 3  |
| 4                 | 5 | 6  |
| 7                 | 8 | 9  |
| Del               | 0 | OK |



- 2 The ACCESS CODE screen will appear. The default pass code is 1 2 3 4. Once the code is entered, press OK. The MAIN MENU screen will appear. The access code can be reset in the Control Settings sub-menu, under Passwords.
- 3 The MAIN MENU screen contains a series of sub-menu icons. The icons vary based on the model selected under the Model Select sub-menu. For the brewer to operate properly, the model selected must match the model series on the brewer model number label affixed to the outside of the machine.

### Manual Programming Mode (cont.)

Shown below and on the following pages are the sub-menus available for the programming MAIN MENU. The icons and programming options that appear vary based on the brewer model selected under Model Select.



\*Only models covered by this user guide are shown.

### Recipes Menu

Select from the following coffee types: Gourmet STD (standard), Light Roast, Dark Roast, High Yield, Filter Pack, Decaf., or Custom Recipes. The factory default setting is Gourmet STD. Selecting the coffee type sets the temperature and various brew settings for the brewer, shown in the *Brew Settings* section, to the factory recommended settings for the type of coffee being brewed. If desired, the individual brew settings may be changed once the coffee type is selected to meet your brewing needs.

**IMPORTANT:** If you change any of the brewer settings on the following pages, some or all of them may be modified if you change the coffee type afterward using the Recipes menu.

| Recipe Default Brew Settings<br>(all models except G4TP1 and G4TPX1 series) |             |            |              |               |              |              |
|---|-------------|------------|--------------|---------------|--------------|--------------|
|   | Temperature | Pulse Brew | Bypass Large | Bypass Medium | Bypass Small | Pre-Infusion |
| Gourmet STD   | 200°F/92°C  | C          | 35%          | 10%           | 0%           | OFF          |
| Light Roast   | 200°F/92°C  | C          | 45%          | 15%           | 0%           | OFF          |
| Dark Roast  | 196°F/91°C  | OFF        | 25%          | 5%            | 0%           | 60/60        |
| High Yield  | 192°F/89°C  | OFF        | 35%          | 10%           | 0%           | 60/60        |
| Filter Pack   | 200°F/92°C  | C          | 0%           | 0%            | 0%           | OFF          |
| Decaf   | 200°F/92°C  | C          | 0%           | 0%            | 0%           | OFF          |

| Recipe Default Brew Settings<br>(G4TP1 and G4TPX1 series) |             |            |              |              |              |
|---|-------------|------------|--------------|--------------|--------------|
|   | Temperature | Pulse Brew | Bypass Large | Bypass Small | Pre-Infusion |
| Gourmet STD   | 200°F/92°C  | C          | 10%          | 0%           | OFF          |
| Light Roast   | 200°F/92°C  | C          | 15%          | 0%           | OFF          |
| Dark Roast  | 196°F/91°C  | OFF        | 5%           | 0%           | 60/60        |
| High Yield  | 192°F/89°C  | OFF        | 10%          | 0%           | 60/60        |
| Filter Pack   | 200°F/92°C  | C          | 0%           | 0%           | OFF          |
| Decaf   | 200°F/92°C  | C          | 0%           | 0%           | OFF          |

continued...



## Control Settings Menu

**Temperature** - sets the brewing temperature of the water held in the water tank. The factory default setting is 200°F/92°C. The setting range is 160°F to 206°F (71°C to 97°C).

### Warmer Settings (some models)

- **Auto-Off (G4GEMS/G4GEMT series)** - adjusts the time that elapses before the dispenser warmer shuts off automatically. The factory default setting is Disabled. The setting range is 1 to 12 hours.
- **Auto-Off (G4GEMSIF/G4GEMTIF series)** - adjusts the time that elapses before the dispenser warmer shuts off automatically. The factory default setting is 10 hours.
- **Power Setting (All G4 Gemini series)** - sets the warmer power level. The factory default setting is MED. The available settings are HIGH (100%), MED (85%) or LOW (70%).

**Quality Timer (G4GEMSIF/G4GEMTIF and G4GEMX series only)** - adjusts the Intellifresh® quality timer. The factory default setting is 2 hours. It notifies the user that the coffee is no longer fresh. The setting range is 20 minutes to 4 hours for G4GEMSIF/G4GEMTIF series and 20 minutes to 3 hours, 50 minutes for G4GEMX series.

**Energy Save Mode** - saves energy during periods of non-use. The factory default setting is No Change (energy saver off). The setting options are No Change, turn off the heating element after four hours of non-use or reduce the heating element temperature to 140°F (60°C) after four hours of non-use.

**Satellite Color (G4GEMX series models only)** - changes the color scheme of the dispenser. The default setting color is white when the quality timer is on, red when it is off.

**Sounds** - turns the beeper heard each time a button is pressed, on or off. The factory default setting is On.

**Diagnostics** - runs the system auto-test. See the *Troubleshooting Guide* for more details.

## Display Settings

- **Brew Timer** - turns the brew timer on the display on and off. The factory default setting is Show.
- **Quality Timer (G4GEMSIF/G4GEMTIF and G4GEMX series only)** - Turns the quality timer display on and off. The factory default setting is Show.
- **Rinse Server Message** - turns the “Rinse Server before Brewing” message display on and off. The factory default setting is Show.
- **Warmer Icon (G4GEMSIF/G4GEMTIF and G4GEMX series only)** - turns the warmer icon on and off. It appears on the display when the warmer is on. The factory default setting is Show.
- **Screen saver** - turns the display screen saver on and off. The factory default setting is Off.
- **Display Name** - changes the company name on the display. The factory default is blank.
- **Brew button icon** - switches the brew button icons that appear on the display (Original or bags, the factory default setting is Original).

## Preventive Maintenance

- **Maintenance Interval** - turns on/off and adjusts the preventive maintenance brew monitor. The factory default setting is Disabled. When Enabled, it measures the number of gallons brewed before the maintenance reminder appears on the display. The setting range is 1000 to 20,000 gal. (75,700 L).
- **Service Telephone Number** - sets the service phone number that appears on the display when the UCM detects an error condition. The factory default is 1-800-000-0000.

**Brew Counter** - When accessed, this feature displays the total number of brew cycles and the resettable brew cycle counter (number of brew cycles since last reset).

continued...

## Control Settings Menu (cont.)

### Passwords

- **Programming Password** - changes the programming menu password. Always active. The factory default is 1234.
- **Brew Password** - turns the brew access password feature on and off and is used to create the brew password. This feature prevents brewing by unauthorized persons. The factory default setting is Disabled. When Enabled, an access code keypad appears on the screen when the brew button is pressed. The correct access code must be entered before brewing will proceed.
- **USB Password** - turns the USB screen access password on and off and is used to create the USB access password. This feature prevents access by unauthorized persons to the USB programming screens. The factory default setting is Disabled. When Enabled, an access code keypad appears on the screen when the user attempts to access the USB menus.

**Master Reset** - resets the brewer universal control module (UCM) to the factory default settings.

### Regional Settings

- **SI/US** - switches the brewer unit settings between US and metric. The factory default setting is US.
- **Language** - changes the language that appears on the display. The factory default setting is English.

**Rinse Volume** - turns the dispenser rinse options on and off. The factory default setting is Disabled. The setting range for rinse volume is 8 oz. to 32 oz.

### Brew Settings Menu

When you first enter the Brew Settings programming menu, you will be asked to select (press) a BREW button to change the settings for. To program more than one BREW button, finish programming the first, then **reenter the Brew Settings menu to program the second.**

**Brew by Volume (G4TP1 and G4TPX1 series)** - adjusts the volume brewed. The factory default settings (Gourmet STD setting) are LARGE 132 oz.  $\pm 6$  oz./3.9 L  $\pm 177$  ml and SMALL 64 oz.  $\pm 4$  oz./1.9 L  $\pm 118$  ml. With a dispenser in place, press START to begin. When the desired volume is reached, press STOP. The brew volume is now set.

**Brew by Volume (all models except G4TP1 and G4TPX1 series)** - adjusts the volume brewed. The factory default settings (Gourmet STD setting) are LARGE 200 oz.  $\pm 8$  oz./5.9 L  $\pm 236$  ml, MEDIUM 132 oz.  $\pm 4$  oz./3.9 L  $\pm 118$  ml, SMALL 64 oz.  $\pm 4$  oz./1.9 L  $\pm 118$  ml. With a dispenser in place, press START to begin. When the desired volume is reached, press STOP. The brew volume is now set.

**Brew by Time (G4TP1 and G4TPX1 series)** - adjusts the amount of coffee brewed by time rather than by volume. The factory default settings [Gourmet STD setting] are LARGE: 3 min.-32 sec. and SMALL: 1 min.-52 sec.

**Brew by Time (all models except G4TP1 and G4TPX1 series)** - adjusts the amount of coffee brewed by time rather than by volume. The factory default settings [Gourmet STD setting] are LARGE: 5 min.-25 sec., MEDIUM: 3 min.-32 sec. and SMALL: 1 min.-52 sec.

**Pre-Infusion** - sets the brewer pre-infusion time (Pulse Brew must be Off to access, the factory default setting [Gourmet STD setting] is Off). Pre-Infusion increases control of coffee clarity and extraction. When turned On, the setting range is 10 to 60 seconds.

continued...

**Brew Settings Menu (cont.)**

**Pulse Brew** - selects the pulse brew pattern (Pre-Infusion must be off to access, the factory default setting [Gourmet STD setting] is C). The pulse brew pattern selected “tunes” or changes the flavor of the coffee. If energy saver mode is on, after pressing the brew button, the brew cycle will start when the water in the tank reaches brewing temperature.

| Setting | Description   |
|---------|---|
| A       | Toward the beginning of brew cycle: 4 cycles of 10 seconds on and 10 seconds off, then on until end of brew cycle.  |
| B       | Starts towards ends of brew cycle. 4 cycles of 10 seconds off and 4 cycles of 10 seconds on. Ends when brew cycle ends.   |
| C       | Starts at beginning of brew cycle. 5 cycles of 25 seconds on and 20 seconds off, then on until end of brew cycle.   |
| D       | Manually set. Starts at beginning of brew cycle. Number of pulses is adjustable from 1 to 12. Pulse on time and off time are both adjustable from 5 to 150 seconds. |
| E       | Manually set. Starts at beginning of brew cycle. Number of pulses is adjustable from 1 to 12. Pulse on time and off time are both adjustable from 1 to 150 seconds. |

**Pulse Brew Guidelines**

- Filter pack type coffees typically extract better with the A and B pulse setting.
- Decaffeinated coffees typically extract better with the B pulse setting.
- High-yield coffees typically extract better with the C pulse setting. Of course, any of the A, B or C settings may be used to suit your taste profile.
- Settings D and E are manual pulse counts.

**By-Pass (G4TP1 and G4TPX1 series)** - helps control extraction for larger brews. The factory default settings [Gourmet STD] are LARGE 10% and SMALL 0%. By-pass reduces contact time to avoid extraction of undesirable bitter and harsh flavor compounds. The setting range is 0% to 50%.

**By-Pass (all models except G4TP1 and G4TPX1 series)** - helps control extraction for larger brews. The factory default settings [Gourmet STD] are LARGE 35%, MEDIUM 10% and SMALL 0%. By-pass reduces contact time to avoid extraction of bitter and harsh flavor compounds. The setting range is 0% to 50%.

**Drip-out Mode** - sets the drip-out mode timer. After water stops flowing, it allows additional time for the water to drain from the brew basket before “Brewing” disappears from the display. The factory default setting is two minutes. This feature reduces the chance that the brew basket will be removed too early. The setting range is 0 seconds to 15 minutes.

**Model Select Menu**

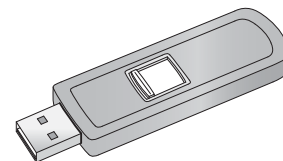
**Batch Size** - The model number and single/twin settings are set at the factory and should remain set to match the model number label affixed to the unit. However, this sub-menu can be used by the end user to select the number of brew buttons (batch size) that appear on the display. Upon entering the Model Select menu, select the correct model number and single/twin setting, then select the batch size.

| Batch Size (Brew Buttons Displayed) |                |                          |
|-------------------------------------|----------------|--------------------------|
|                                     | TP1 and TPX1   | All other models         |
| Three Batches                       | NA             | Large<br>Medium<br>Small |
| Two Batches                         | Large<br>Small | Large<br>Small           |
| One Batch                           | Large          | Large                    |

## Automatic Programming - USB

Using the USB connection and a flash drive easily reprograms the settings by simply copying data.

A flash drive can copy all of the settings from one identical G4 brewer to another. Doing so eliminates the need to program each step individually using the touchscreen. This process also makes it easy to quickly standardize the program settings on multiple G4 brewers.



Use a flash drive that supports USB 2.0 or above and has a type-A USB connection. The storage capacity must be 2 GB minimum.

**i** **IMPORTANT:** The flash drive must be completely blank. Erase any existing files on the drive before starting the following process.

### Uploading the Software to the Flash Drive

- 1 Make sure the brewer is on. Check to make sure that the brewer you are copying settings from is programmed as desired.
- 2 Open the cover on the USB port and insert the connector on the empty flash drive. The port is located on the right side panel of the brewer, near the top. The universal control module (UCM) will upload all of the setup data onto the flash drive. The yellow LED icon on the top left of the touchscreen will light indicating that data is transferring. This process will only take a second to complete.

### Downloading the Software to the Brewer from the Flash Drive

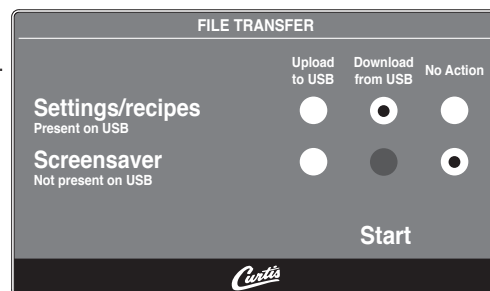
- 1 Select the (identical) brewer you wish to make program changes to. The brewer must be on.
- 2 Plug the loaded flash drive into the USB port on the brewer. The data copied from the first brewer will automatically download, overwriting all the settings that were on the second brewer.
- 3 The red LED on the top left of the touchscreen will indicate that the download is in process. This will only take a second.
- 4 Once the download is complete, the UCM will reboot so that the changes take effect.
- 5 Remove the flash drive. The download is complete. The data on the flash drive can continue to be downloaded into as many identical brewers as needed.

### USB File Transfer

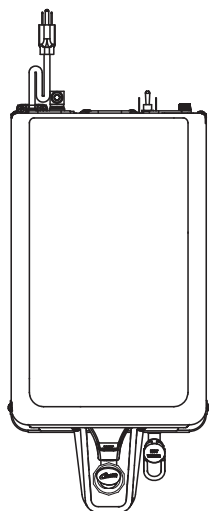
This screen will be present whenever the USB flash drive is inserted, provided the brewer is not currently brewing.

The default action is “No Action”. The UCM will always create a backup on the flash drive before downloading settings/recipes or a screen-saver.

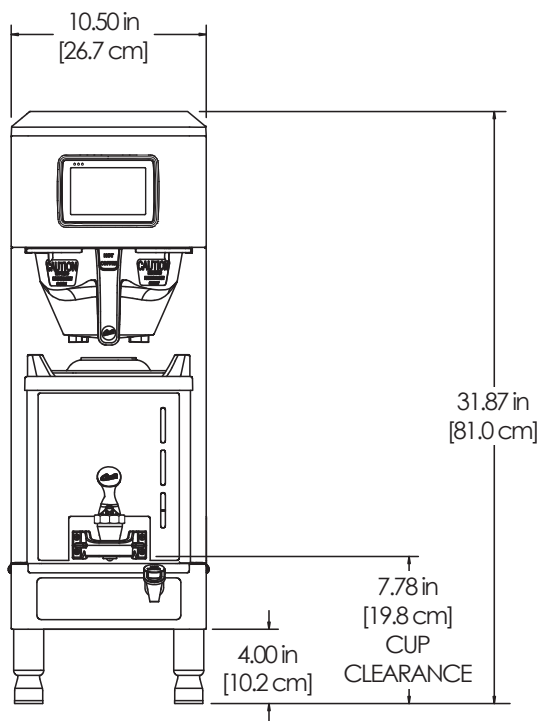
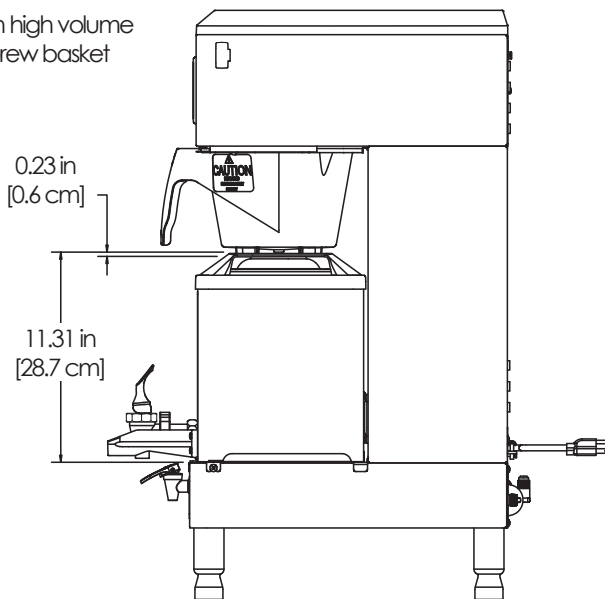
If a firmware update is present on the flash drive, the firmware update procedure will be started before the screen is shown.



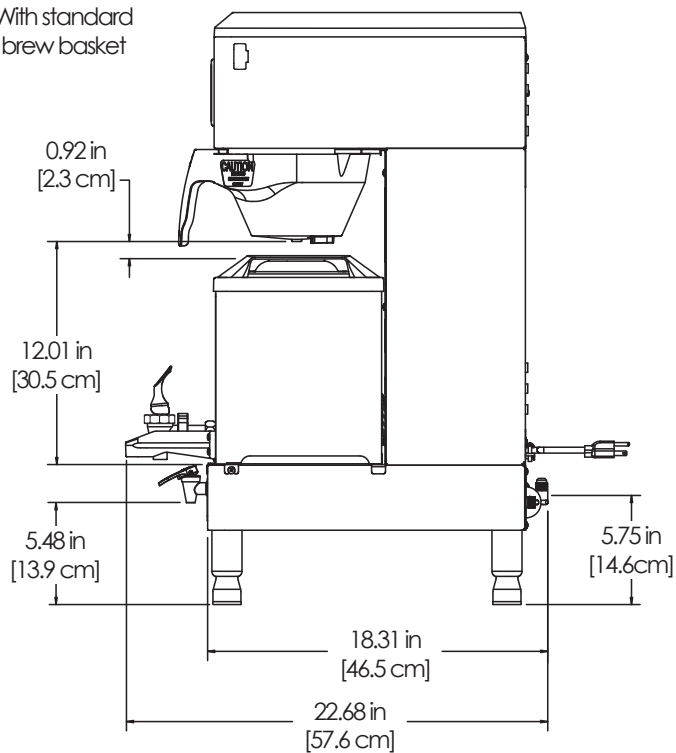
G4GEMXSIFT - Single Coffee Brewer



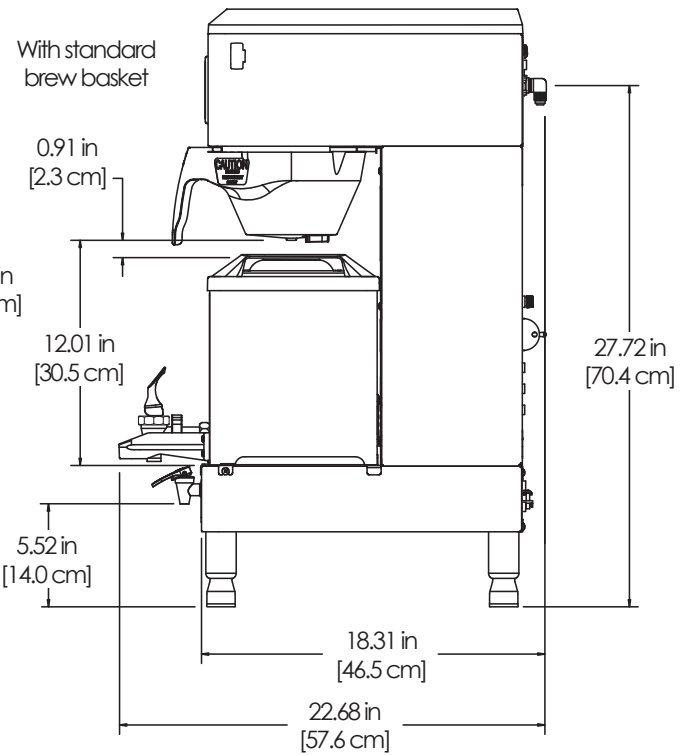
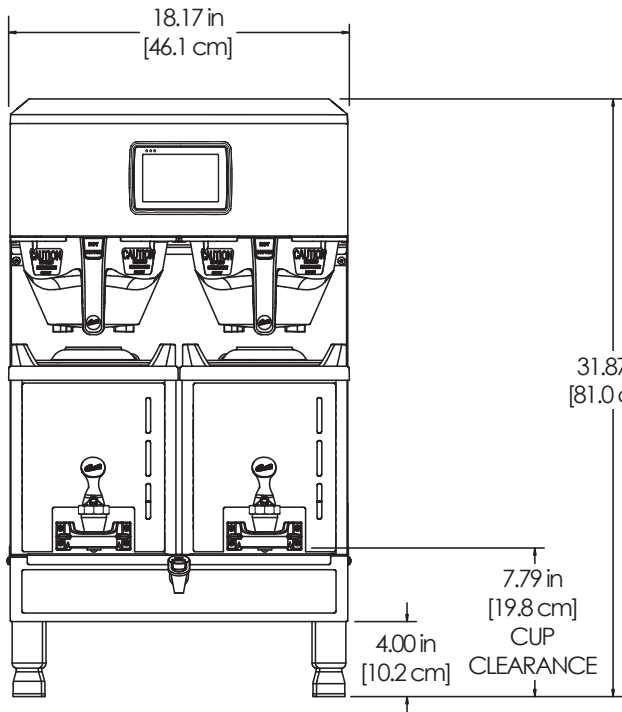
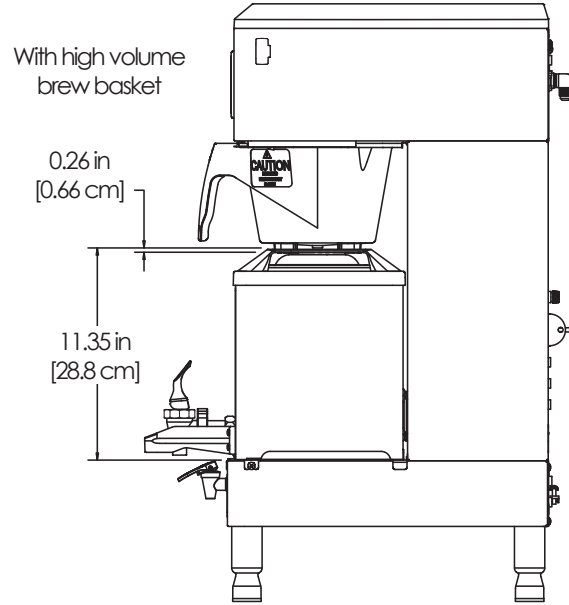
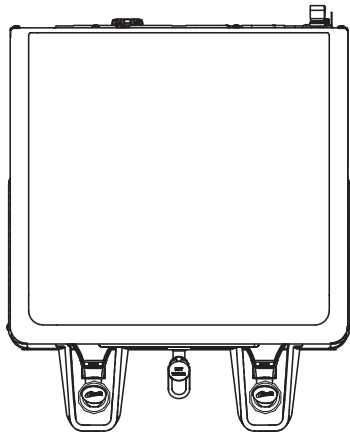
With high volume brew basket



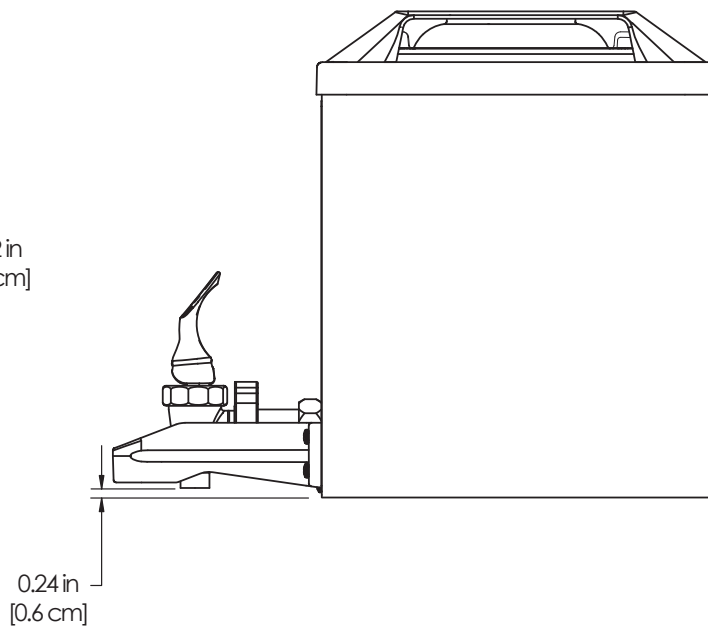
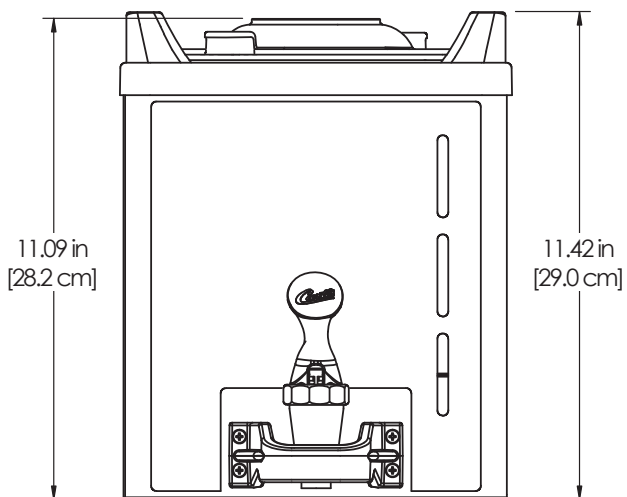
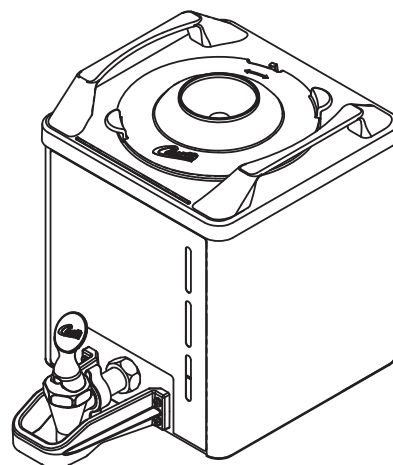
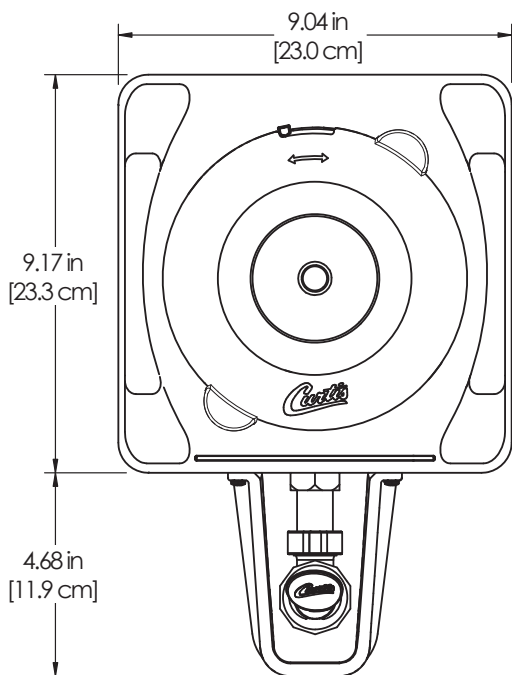
With standard brew basket



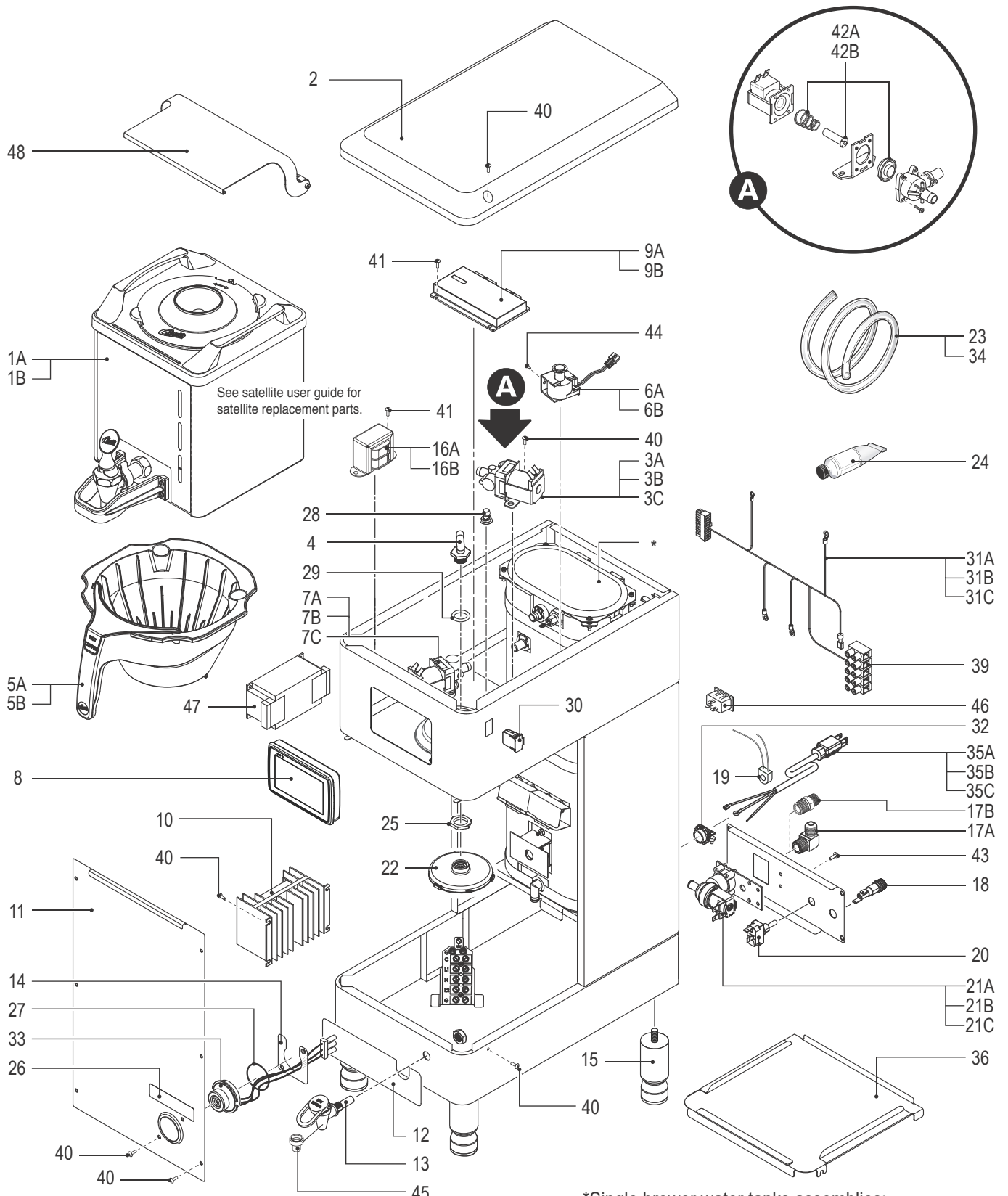
G4GEMXTIFT - Twin Coffee Brewer



GEM3XIFT - Dispenser



G4GEMXSIFT - Main Chassis - Exploded View



\*Single brewer water tanks assemblies:  
 - 220-240 Volt, dual element, see section IP31  
 - 120/220 Volt, see section IP32  
 - 200-240 Volt, single element, see section IP194



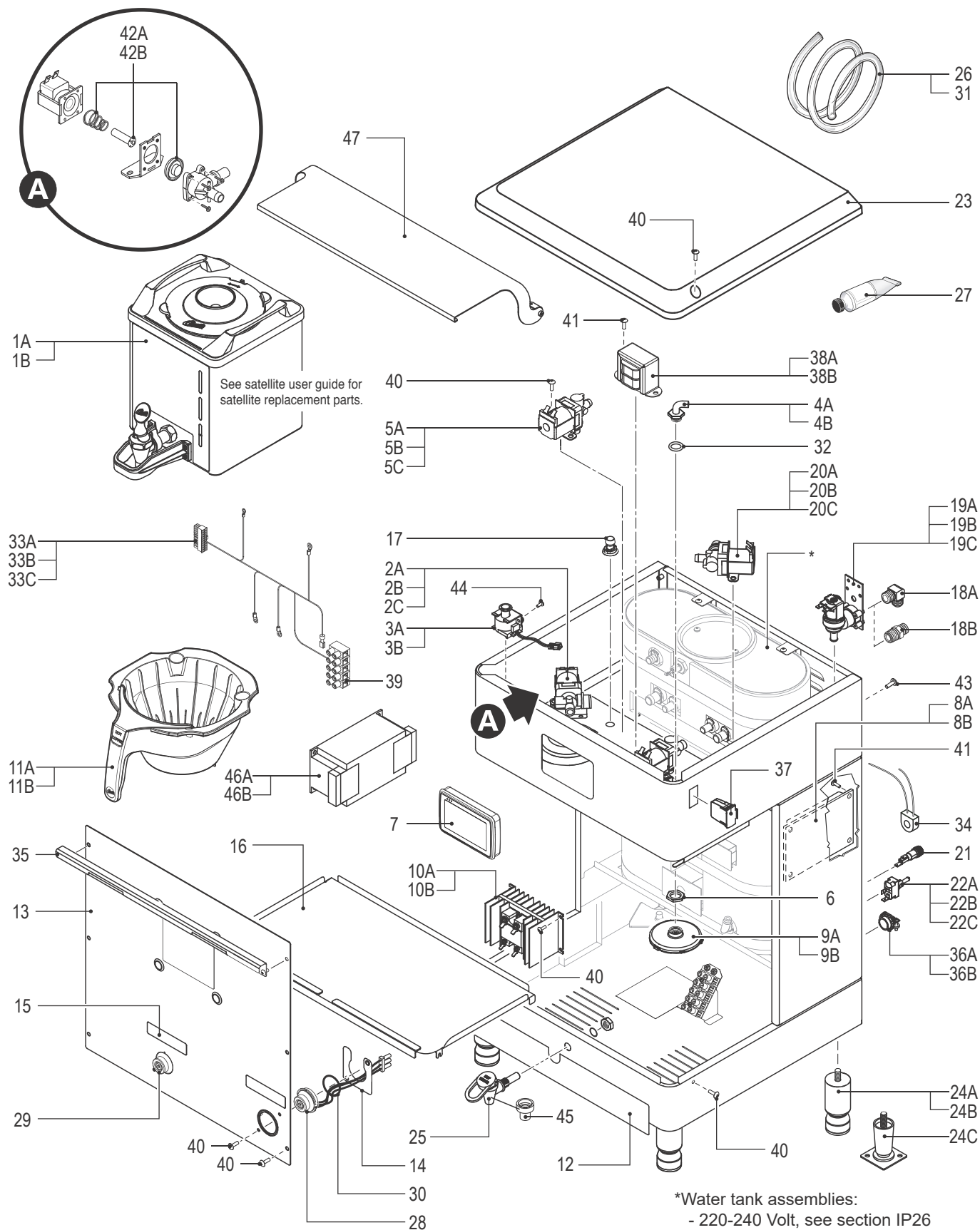
G4GEMXSIFT - Main Chassis - Parts List

| ITEM #                 | PART #       | DESCRIPTION   |
|------------------------|--------------|---|
| 1A <sup>a</sup>        | GEM3XIFT     | SATELLITE, GEMX   |
| 1B <sup>b,c,d,e</sup>  | GEM3XIFT30   | SATELLITE SERVER, 1-1/2 GAL. 82W 230V .36 2W+G 1PH 50/60HZ          |
| 2                      | WC-66115     | COVER, TOP GEMXSIFT   |
| 3A <sup>a</sup>        | WC-820WDR*   | VALVE, DUMP RIGHT 120V 12W W/INTERNAL RESISTOR & DIODE              |
| 3B <sup>b,c,e</sup>    | WC-854       | VALVE, BREW DUMP RIGHT 240V 12W GEM12D/ TP/TPC                      |
| 3C <sup>d</sup>        | WC-12023     | VALVE, DUMP RIGHT 200V 12W 50/60HZ                                  |
| 4                      | WC-2977K*    | KIT, SPRAYHEAD FITTING METAL  |
| 5A                     | WC-3417-P    | BREW CONE,ASSY W/SPLASH POCKET BRWN STYLIZED GEMIN HOT COFFEE       |
| 5B                     | WC-3422-P    | BREW CONE,ASSY W/SPLASH POCKET BRWN STYLIZED HIGH VOLUME (OPTIONAL) |
| 6A <sup>a</sup>        | WC-442       | SOLENOID, LOCK BREW CONE RIGHT/LEFT 120V TP2T/TP2S/GEMSS/GEM        |
| 6B <sup>b,c,d,e</sup>  | WC-446       | SOLENOID, LOCK BREW CONE RIGHT 220V THERMOPRO/GEMTS                 |
| 7A <sup>a</sup>        | WC-844-101   | VALVE, BY-PASS, NON-ADJUSTABLE WITH RESTRICTOR (WC-2945)            |
| 7B <sup>b,c,e</sup>    | WC-844-102   | VALVE, BY-PASS, 220V NON-ADJUSTABLE W/ RESTRICTOR (WC-2945)         |
| 7C <sup>d</sup>        | WC-12025     | VALVE, BY-PASS 200V 12W 50/60HZ                                     |
| 8                      | WC-10000     | CONTROL MODULE, TOUCH SCREEN G4                                     |
| 9A <sup>a</sup>        | WC-10001     | CONTROL MODULE, UPM 120/220V G4                                     |
| 9B <sup>b,c</sup>      | WC-10038     | CONTROL MODULE, UPM 220V G4GEMTIF30/ G4GEMSF30                      |
| 10                     | WC-8559*     | RELAY, SOLID STATE 280V/40A W/ HEATSINK AND QUICK DISCONNECTS       |
| 11                     | WC-58395     | COVER, FRONT  |
| 12                     | WC-390353    | LABEL, BOTTOM DECK GEMXSIFT/ G4GEMXSIFT CURTIS                      |
| 13                     | WC-1809-P*   | FAUCET, PS/HPS SERIES HOT WTR 1/2-20 UNF AP/ALP                     |
| 14                     | WC-61963     | PLATE, HOLDER IF CONNECTORS GEMTIF                                  |
| 15                     | WC-3528*     | LEG, 4" ADJUSTABLE 3/8-16 THRD ITALIAN STYLE                        |
| 16A <sup>a</sup>       | WC-589-101   | TRANSFORMER,120VAC-24V 4.8A W/ LEADS & MOLEX CONNECTOR              |
| 16B <sup>b,c,d,e</sup> | WC-589-102   | TRANSFORMER,240VAC- 24V 4.8VA W/LEADS & MOLEX CONNECTOR             |
| 17A                    | WC-2402P-P*  | ELBOW, 3/8"FL x 3/8" NPT PLATED                                     |
| 17B                    | WC-29149     | FITTING, ADAPTER 3/8IN MNPT X G3/8 BSPP SS                          |
| 18                     | WC-1501      | FUSE, HOLDER ASSY W/5A FUSE   |
| 19                     | WC-14045-101 | CURRENT SENSOR ASSY G4  |
| 20                     | WC-103*      | SWITCH, TOGGLE NON-LIT DPST 25A 125/250VAC RESISTIVE                |

- <sup>a</sup> 120/220 Volt units
- <sup>b</sup> 220-240 Volt dual element units
- <sup>c</sup> 220-240 Volt single element units
- <sup>d</sup> 200 Volt single element units
- <sup>e</sup> G4GEMXSIFT31A1000-005

| ITEM #                | PART #        | DESCRIPTION  |
|-----------------------|---------------|--|
| 21A <sup>a</sup>      | WC-847*       | VALVE, INLET 2 GPM 120V 10W GEN USE BROWN BODY   |
| 21B <sup>b,c,e</sup>  | WC-883        | VALVE, INLET 2 GPM 240V 6W   |
| 21C <sup>d</sup>      | WC-12026      | VALVE, INLET 2GPM 200V 9W  |
| 22                    | WC-29050*     | SPRAYHEAD, AMBER ADVANCED FLOW   |
| 23                    | WC-5310*      | TUBE, 5/16 ID x 1/8W SILICONE  |
| 24                    | WC-5231*      | COMPOUND, HEAT SINK 5OZ  |
| 25                    | WC-4213-P     | NUT, 5/8 LOCK PLATED   |
| 26                    | WC-38504      | LABEL, WARNING SHOCK HAZARD INTELLI-FRESH  |
| 27                    | WC-43133      | O-RING, 1.424ID X 1.630 OD X .103 WALL GEMIF's   |
| 28                    | WC-29044-101  | SLEEVE, OVERFLOW   |
| 29                    | WC-4320       | O'RING, 0.4871.D.x 0.693OD x0.103CS BUNA-N #112  |
| 30                    | WC-10008      | UNIVERSAL HOST ADAPTER USB   |
| 31A <sup>a</sup>      | WC-13463      | HARNESS ASSY, G4GEMSS10/G4GEMS IF (INCLUDES TERMINAL BLOCK)                                    |
| 31B <sup>b</sup>      | WC-13463-101  | HARNESS, ASSY G4GEMSF30 (INCLUDES TERMINAL BLOCK)  |
| 31C <sup>c,d</sup>    | WC-13463-103  | HARNESS ASSY, G4GEMXSIFT31   |
| 32 <sup>a,b</sup>     | WC-1412       | CORD GRIP, 3/4" FOR METAL CORD TO .81"OD   |
| 33                    | WC-571K-R     | KIT, IF CONNECTOR- RIGHT   |
| 34                    | WC-5350       | TUBE, 1/2 ID x 1/8W SILICONE GEN USE   |
| 35A <sup>a</sup>      | WC-1200       | CORD, 14/3 SJTO 6' BLK W/PLUG  |
| 35B <sup>b</sup>      | WC-1250       | CORD, 4mm <sup>2</sup> 90°C 49A 450/750V 6 FT LG W/ FERRULES ONE END                           |
| 35C <sup>e</sup>      | WC-1256       | CORD, 1.5mm <sup>2</sup> X 3 W/GB-2099 & C19 CHINA   |
| 36                    | WC-65042-101  | DECK, SATELLITE W/A  |
| 39                    | WC-314        | POWER BLOCK, 5 STATION   |
| 40                    | WC-4426       | SCREW, 8-32x3/8 PH HEAD TRUSS  |
| 41                    | WC-4514       | SCREW, 8-32x3/8 PAN HEAD PH SS   |
| 42A                   | WC-37132-101  | KIT, VALVE REPAIR FOR DELTROL WC-820WDR, WC-821WDR, WC-844WDR (NEWER UNITS)                    |
| 42B                   | WC-37132      | KIT, VALVE REPAIR FOR INVENSYS WC-820WDR,WC-821WDR, WC-844WDR                                  |
| 43                    | WC-4616       | SCREW, 1/4-20 x 1/2 PHILLIPS PAN HEAD STAINLESS STEEL  |
| 44                    | WC-4412       | SCREW, 10-32x3/16" PH PN HD MS SS  |
| 45                    | WC-1806       | SEAT CUP, SILICONE USE ON WC-1809 FAUCET   |
| 46 <sup>c,d,e</sup>   | WC-1522       | SOCKET, POWER INLET 16A/250V SNAP-IN   |
| 47 <sup>b,c,d,e</sup> | WC-596K       | KIT, NOISE FILTER EMI 250V/30A 1PH   |
| 48                    | WC-62098-102K | KIT COVER PIVOTING FRONT DISPLAY (G4)GEMXSIFT (OPTIONAL ACCESSORY, INCLUDES MOUNTING HARDWARE) |

G4GEMXTIFT - Main Chassis - Exploded View



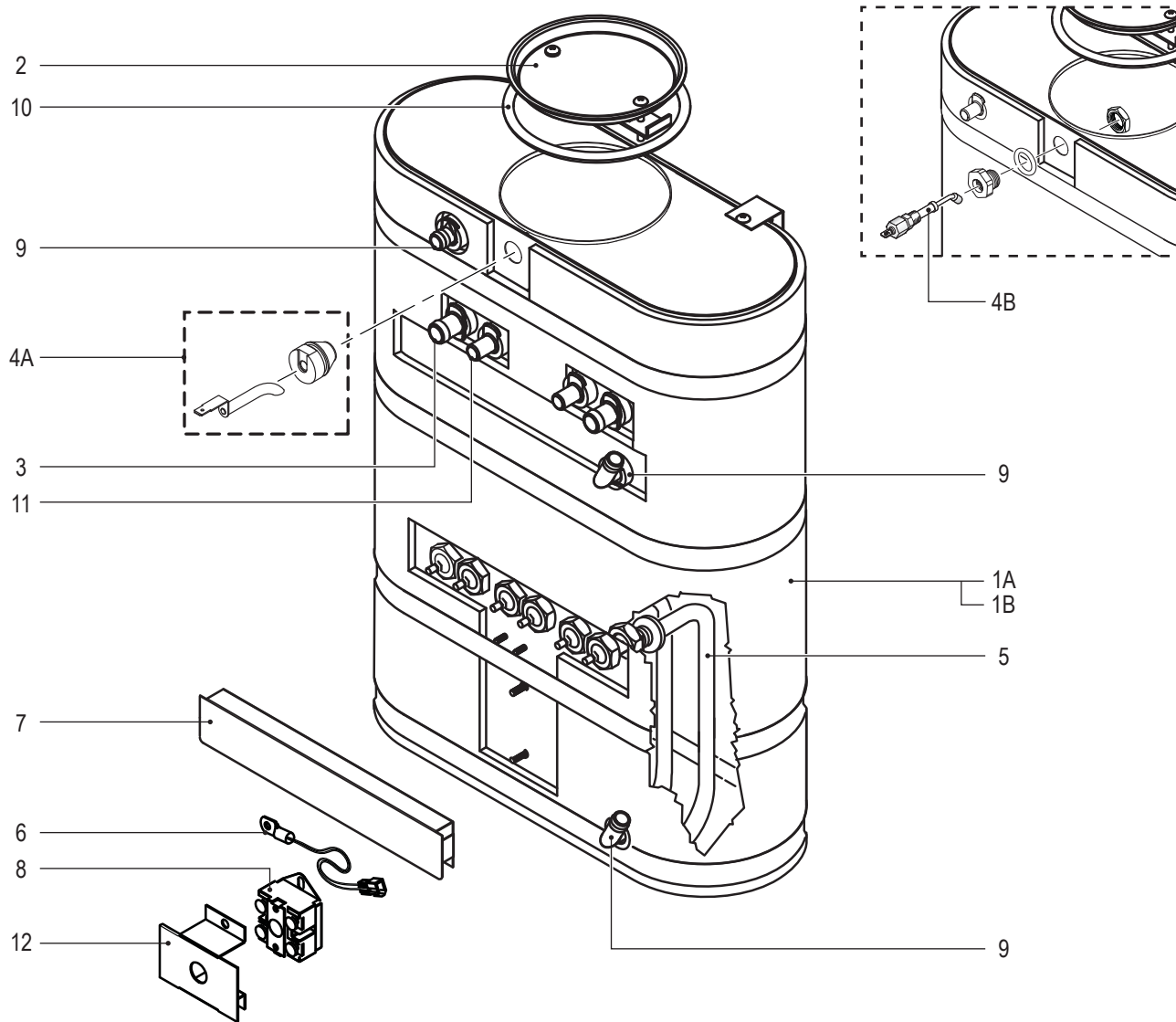
## G4GEMXTIFT - Main Chassis - Parts List

| ITEM #                 | PART #       | DESCRIPTION   | ITEM #                 | PART #       | DESCRIPTION  |
|------------------------|--------------|---|------------------------|--------------|--|
| 1A <sup>a</sup>        | GEM3XIFT     | SATELLITE, GEMX   | 22A <sup>a</sup>       | WC-102*      | SWITCH, TOGGLE NON-LIT SPST 15A 125/6A 250VAC RESISTIVE  |
| 1B <sup>b,c,d</sup>    | GEM3XIFT30   | SATELLITE SERVER, 1-1/2 GAL. 82W 230V .36 2W+G 1PH 50/60HZ          | 22B <sup>b,c,d</sup>   | WC-103*      | SWITCH, TOGGLE NON-LIT DPST 25A 125/250VAC RESISTIVE   |
| 2A <sup>a</sup>        | WC-821WDR*   | VALVE, DUMP LEFT 120V 12W W/INTERNAL RESISTOR & DIODE               | 22C <sup>e</sup>       | WC-173*      | SWITCH, ROCKER 3PST 480V/30A 50/60HZ   |
| 2B <sup>b,e</sup>      | WC-853       | VALVE, BREW DUMP LEFT 240V 12W GEM12D/ TP/TPC                       | 23                     | WC-66112     | COVER, TOP GEMXTIFT  |
| 2C <sup>c,d</sup>      | WC-12024     | VALVE, DUMP LEFT 200V 12W 50/60HZ                                   | 24A <sup>a,b,d,e</sup> | WC-3528*     | LEG, 4" ADJUSTABLE 3/8-16 THRD ITALIAN STYLE   |
| 3A <sup>a</sup>        | WC-442       | SOLENOID, LOCK BREW CONE RIGHT/LEFT 120V TP2T/TP2S/GEMSS/GEM        | 24B                    | WC-3543      | LEG, 6" ADJUSTABLE 3/8-16 THRD ITALIAN STYLE (REPLACES OLDER 6" LEGS, WC-3516)                 |
| 3B <sup>b,c,d</sup>    | WC-446       | SOLENOID, LOCK BREW CONE RIGHT 220V THERMOPRO/GEMTS                 | 24C <sup>c</sup>       | WC-3512T     | LEG, 2 1/2" ADJUSTABLE SATIN WITH TIE DOWNS  |
| 4A <sup>a,b,d,e</sup>  | WC-2977K*    | KIT, SPRAYHEAD FITTING METAL  | 25                     | WC-1809-P*   | FAUCET, PS/HPS SERIES HOT WTR 1/2-20 UNF AP/ALP  |
| 4B <sup>c</sup>        | WC-2962-102* | FITTING, SPRAYHEAD ASSY PLATED                                      | 26                     | WC-5310*     | TUBE, 5/16 ID x 1/8W SILICONE GEN USE  |
| 5A <sup>a</sup>        | WC-844-101*  | VALVE, BY-PASS, NON-ADJUSTABLE WITH RESTRICTOR (WC-2945)            | 27                     | WC-5231*     | COMPOUND, HEAT SINK 5OZ  |
| 5B <sup>b,e</sup>      | WC-844-102   | VALVE, BY-PASS, 220V NON-ADJUSTABLE W/ RESTRICTOR (WC-2945)         | 28                     | WC-571K-R    | KIT, IF CONNECTOR- RIGHT   |
| 5C <sup>c,d</sup>      | WC-12025     | VALVE, BY-PASS 200V 12W 50/60HZ                                     | 29                     | WC-571K-L    | KIT, IF CONNECTOR- LEFT  |
| 6                      | WC-4213-P    | NUT, 5/8 LOCK PLATED  | 30                     | WC-43133     | O-RING, 1.424ID X 1.630 OD X .103 WALL GEMIF's   |
| 7                      | WC-10000     | CONTROL MODULE, TOUCH SCREEN G4                                     | 31                     | WC-5350*     | TUBE, 1/2 ID x 1/8W SILICONE GEN USE   |
| 8A <sup>a</sup>        | WC-10001     | CONTROL MODULE, UPM 120/220V G4                                     | 32                     | WC-4320      | O'RING, 0.4871.D.x 0.693OD x0.103CS BUNA-N #112  |
| 8B <sup>b,c,d,e</sup>  | WC-10038     | CONTROL MODULE, UPM 220V G4GEMTIF30/ G4GEMSIF30                     | 33A <sup>a</sup>       | WC-13450     | HARNESS ASSY, COMPLETE G4TP2T (INCLUDES TERMINAL BLOCK)  |
| 9A                     | WC-29050*    | SPRAYHEAD, AMBER ADVANCED FLOW                                      | 33B <sup>b,c,d</sup>   | WC-13450-101 | HARNESS ASSY COMPLETE G4TP2T G4TPC2T/ G4GEMT/G4TP1T-30'S (INCLUDES TERMINAL BLOCK)             |
| 9B                     | WC-29025*    | SPRAYHEAD, PURPLE ADVANCE FLOW                                      | 33C <sup>e</sup>       | WC-13450-103 | HARNESS ASSY COMPLETE G4GEMXTIFT38/ G4TPX1T38 (INCLUDES TERMINAL BLOCK)                        |
| 10A <sup>a,b,c,d</sup> | WC-8559*     | RELAY, SOLID STATE 280V/40A W/ HEATSINK AND QUICK DISCONNECTS       | 34                     | WC-14045-101 | CURRENT SENSOR ASSY G4   |
| 10B <sup>e</sup>       | WC-8559-102* | RELAY, SOLID STATE 480V/50A (RELAY + HEATSINK)                      | 35                     | WC-61954     | PLATE, BREW CONE STOP SSTL GEMTIF  |
| 11A                    | WC-3417-P*   | BREW CONE,ASSY W/SPLASH POCKET BRWN STYLIZED GEMIN HOT COFFEE       | 36A <sup>a,b,c</sup>   | WC-1412      | CORD GRIP, 3/4" FOR METAL CORD TO .81"OD   |
| 11B                    | WC-3422-P    | BREW CONE,ASSY W/SPLASH POCKET BRWN STYLIZED HIGH VOLUME (OPTIONAL) | 36B <sup>d,e</sup>     | WC-1523      | CORD GRIP, 25MM THREAD PLASTIC   |
| 12                     | WC-390349    | LABEL, BOTTOM DECK GEMXTIFT/G4GEMXTIFT CURTIS                       | 37                     | WC-10008     | UNIVERSAL HOST ADAPTER USB   |
| 13                     | WC-61960     | COVER, FRONT W/A  | 38A <sup>a</sup>       | WC-589-101   | TRANSFORMER,120VAC-24V 4.8A W/ LEADS & MOLEX CONNECTOR   |
| 14                     | WC-61963     | PLATE, HOLDER IF CONNECTORS GEMTIF                                  | 38B <sup>b,c,d,e</sup> | WC-589-102   | TRANSFORMER,240VAC- 24V 4.8VA W/LEADS & MOLEX CONNECTOR  |
| 15                     | WC-38504     | LABEL, WARNING SHOCK HAZARD INTELLI-FRESH                           | 39                     | WC-314       | POWER BLOCK, 5 STATION   |
| 16                     | WC-65042     | DECK, SATELLITE WA  | 40                     | WC-4426      | SCREW, 8-32x3/8 PH HEAD TRUSS  |
| 17                     | WC-29044-101 | SLEEVE, OVERFLOW  | 41                     | WC-4514      | SCREW, 8-32x3/8 PAN HEAD PH SS   |
| 18A                    | WC-2402-P*   | ELBOW, 3/8"FL x 3/8" NPT PLATED                                     | 42A                    | WC-37132-101 | KIT, VALVE REPAIR FOR DELTROL WC-820WDR, WC-821WDR, WC-844WDR (NEWER UNITS)                    |
| 18B                    | WC-29149     | FITTING, ADAPTER 3/8IN MNPT X G3/8 BSPP SS                          | 42B                    | WC-37132     | KIT, VALVE REPAIR FOR INVENSYS WC-820WDR,WC-821WDR, WC-844WDR                                  |
| 19A <sup>a</sup>       | WC-847*      | VALVE, INLET 2 GPM 120V 10W GEN USE BROWN BODY                      | 43                     | WC-4616      | SCREW, 1/4-20 x 1/2 PHILLIPS PAN HEAD STAINLESS STEEL  |
| 19B <sup>b,e</sup>     | WC-883       | VALVE, INLET 2 GPM 240V 6W  | 44                     | WC-4412      | SCREW, 10-32x3/16" PH PN HD MS SS  |
| 19C <sup>c,d</sup>     | WC-12026     | VALVE, INLET 2GPM 200V 9W   | 45                     | WC-1806      | SEAT CUP, SILICONE USE ON WC-1809 FAUCET   |
| 20A <sup>a</sup>       | WC-820WDR*   | VALVE, DUMP RIGHT 120V 12W W/INTERNAL RESISTOR & DIODE              | 46A <sup>b,c,d</sup>   | WC-596K      | KIT, NOISE FILTER EMI 250V/30A 1PH   |
| 20B <sup>b,e</sup>     | WC-854       | VALVE, BREW DUMP RIGHT 240V 12W GEM12D/ TP/TPC                      | 46B <sup>e</sup>       | WC-597       | FILTER, NOISE EMI 480V/20A 3PH-DELTA   |
| 20C <sup>c,d</sup>     | WC-12023     | VALVE, DUMP RIGHT 200V 12W 50/60HZ                                  | 47                     | WC-62098K    | KIT COVER PIVOTING FRONT DISPLAY (G4)GEMXTIFT (OPTIONAL ACCESSORY, INCLUDES MOUNTING HARDWARE) |
| 21                     | WC-1501*     | FUSE, HOLDER ASSY W/5A FUSE   |                        |              |  |

\* Recommended parts to stock

<sup>a</sup> Model G4GEMXTIFT10A1000, <sup>b</sup> Model G4GEMXTIFT30A1000, <sup>c</sup> Model G4GEMXTIFT30A1033, <sup>d</sup> Model G4GEMXTIFT33A1000, <sup>e</sup> Model G4GEMXTIFT38A1000

WC-62033 - Tank Assembly



WC-62033 - Tank Assembly - Parts List

| ITEM #          | PART #     | DESCRIPTION  |
|-----------------|------------|--|
| 1A              | WC-54287   | TANK, ASSY TPS1T/GEMTS                                       |
| 1B              | WC-62033   | TANK, COMPLETE GEMTS W/ULTEM FITTINGS                        |
| 2               | WC-37008   | KIT, TANK LID ROUND (INCLUDES GASKET)                        |
| 3*              | WC-37357   | KIT, STRAIGHT PLASTIC FITTING AND BUSHING 12MM               |
| 4A <sup>1</sup> | WC-5528K   | KIT, WATER LEVEL PROBE, SILICONE                             |
| 4B <sup>2</sup> | WC-5502-01 | KIT, PROBE, ASSY WATER LEVEL W/HEX FITTING, O-RING & NUT     |
| 5*              | WC-934-04  | KIT,ELEMENT HEATING 2.5KW 220V W/ JAM NUT & SILICONE WASHERS |

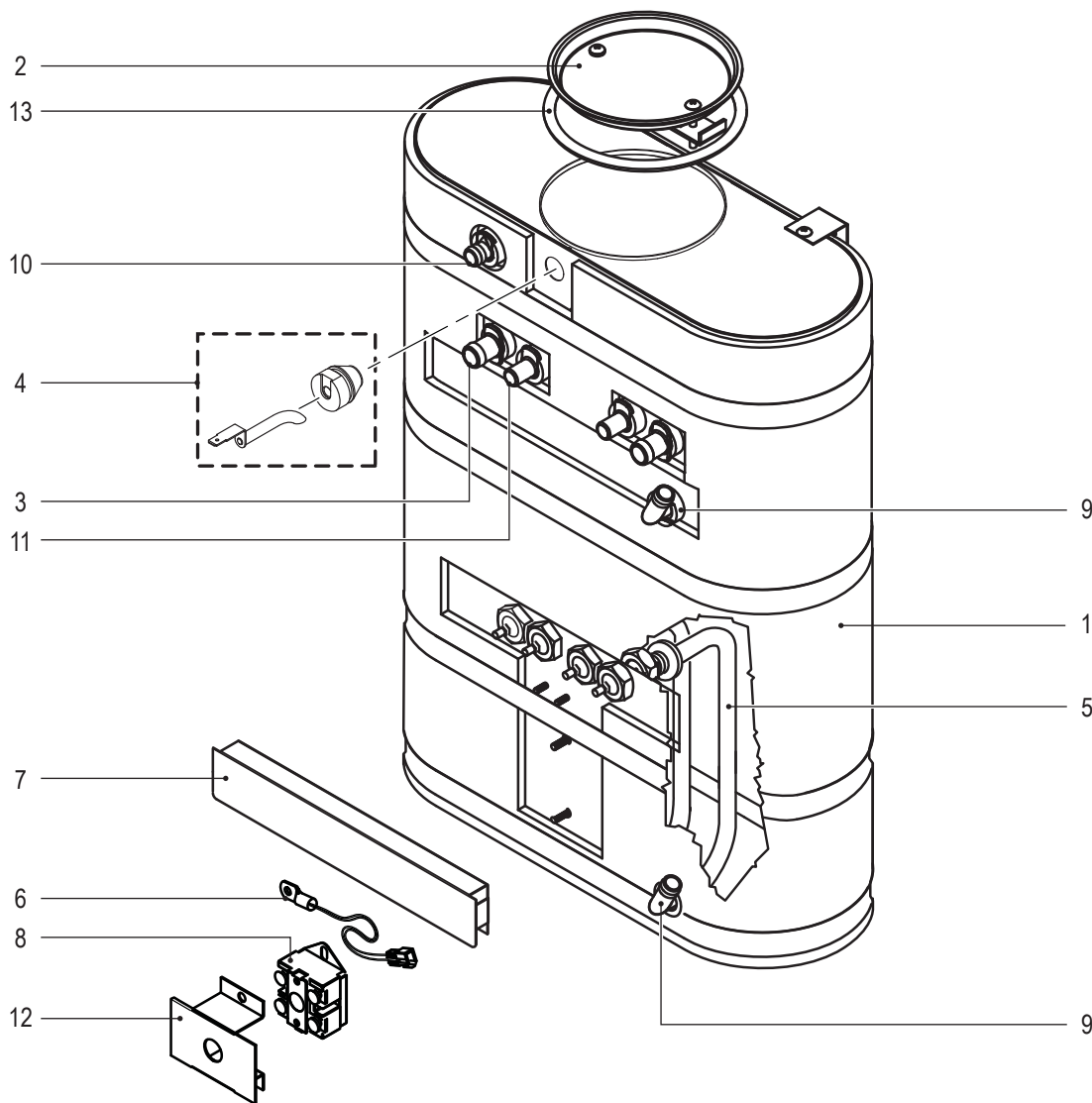
| ITEM # | PART #      | DESCRIPTION                                       |
|--------|-------------|---|
| 6*     | WC-1438-101 | SENSOR, TEMPERATURE TANK                          |
| 7*     | WC-4382     | GUARD, SHOCK HTNG ELMNT DOUBLE                    |
| 8*     | WC-522      | THERMOSTAT, HI LIMIT HEATER CONTROL DPST 277V 40A |
| 9*     | WC-37365    | KIT, FITTING TANK INLET                           |
| 10*    | WC-43067    | SILICONE TANK LID O-RING, 4-1/2" I.D. X Ø.285     |
| 11*    | WC-37317    | KIT, STRAIGHT FITTING & BUSHNG 8MM GEN USE        |
| 12*    | WC-43055    | GUARD, SHOCK RESET THERMOSTAT (WC-522)            |

<sup>1</sup> Units built 01/04/2019 and later.

<sup>2</sup> Units built before 01/04/2019. Replaces WC-5527.

\* Recommended parts to stock.

WC-54287-103 - Tank Assembly



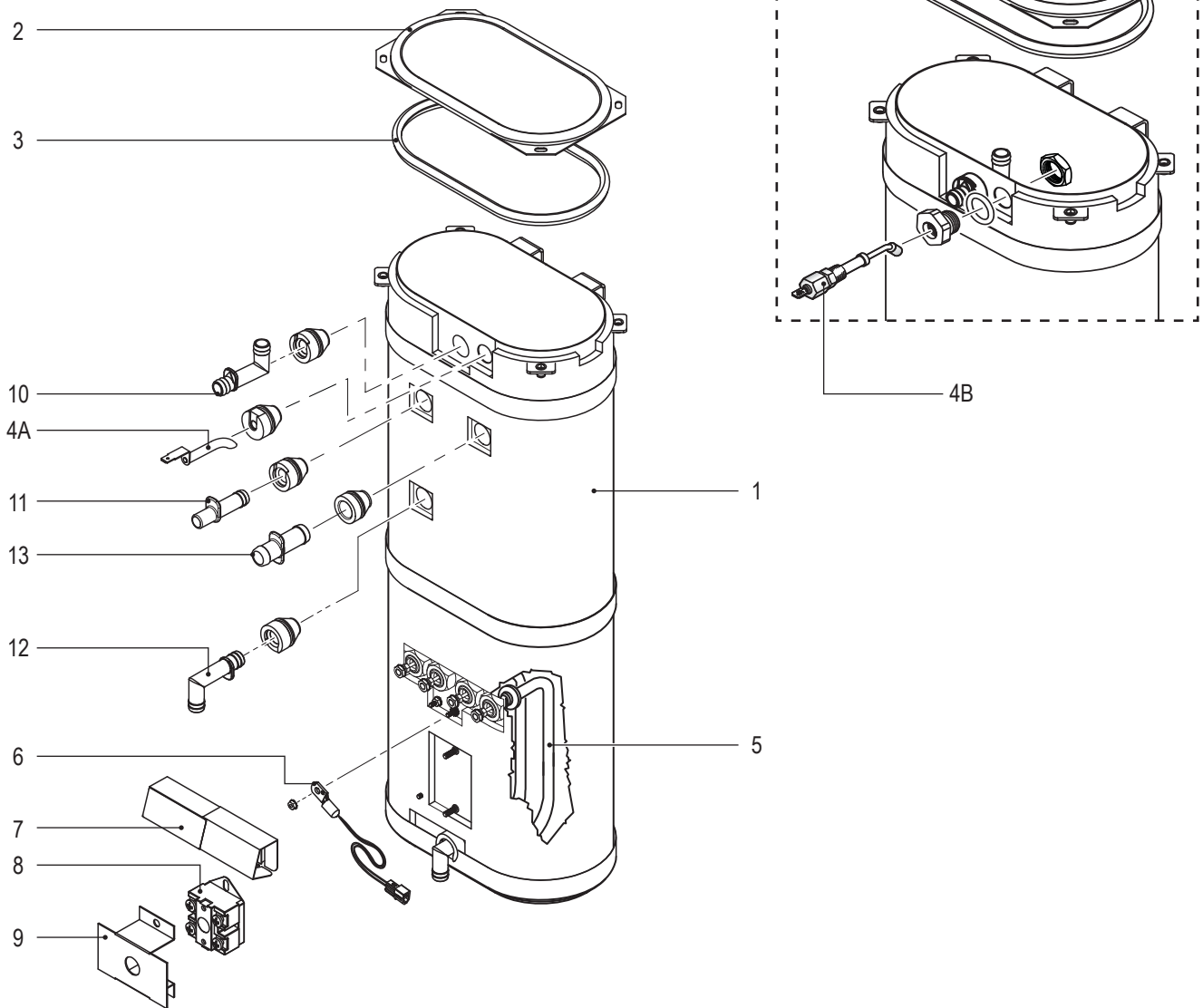
WC-54287-103 - Tank Assembly - Parts List

| ITEM # | PART #       | DESCRIPTION   |
|--------|--------------|---|
| 1      | WC-54287-103 | TANK, ASSY TPS1T/GEMTS                                      |
| 2      | WC-37008     | KIT, TANK LID ROUND (INCLUDES GASKET)                       |
| 3*     | WC-37357     | KIT, STRAIGHT PLASTIC FITTING AND BUSHING 12MM              |
| 4      | WC-5528K     | KIT, WATER LEVEL PROBE, SILICONE                            |
| 5*     | WC-906-04    | KIT, ELEMENT, HEATING 2KW 220V W/ JAM NUT & SILICONE O-RING |
| 6*     | WC-1438-101  | SENSOR, TEMPERATURE TANK                                    |
| 7*     | WC-4382      | GUARD, SHOCK HTNG ELMNT DOUBLE                              |

| ITEM # | PART #   | DESCRIPTION                                       |
|--------|----------|---|
| 8*     | WC-522   | THERMOSTAT, HI LIMIT HEATER CONTROL DPST 277V 40A |
| 9*     | WC-37365 | KIT, FITTING TANK INLET                           |
| 10*    | WC-37266 | KIT, FITTING TANK OVERFLOW                        |
| 11*    | WC-37317 | KIT, STRAIGHT FITTING & BUSHING 8MM GEN USE       |
| 12*    | WC-43055 | GUARD, SHOCK RESET THERMOSTAT (WC-522)            |
| 13*    | WC-43067 | SILICONE TANK LID O-RING, 4-1/2" I.D. X Ø.285     |

\* Recommended parts to stock.

WC-62035 - Tank Assembly



WC-62035 - Tank Assembly - Parts List

| ITEM #          | PART #      | DESCRIPTION   | ITEM # | PART #   | DESCRIPTION                                       |
|-----------------|-------------|---|--------|----------|---|
| 1               | WC-62035    | TANK, COMPLETE GEMSS W/ULTEM FITTINGS                       | 8*     | WC-522   | THERMOSTAT, HI LIMIT HEATER CONTROL DPST 277V 40A |
| 2               | WC-5853-102 | COVER, TOP HEATING TANK GEN USE                             | 9*     | WC-43055 | GUARD, SHOCK RESET THERMOSTAT (WC-522)            |
| 3*              | WC-43062    | GASKET, TANK LID  | 10*    | WC-37266 | KIT, FITTING TANK OVERFLOW                        |
| 4A <sup>1</sup> | WC-5528K    | KIT, WATER LEVEL PROBE, SILICONE                            | 11*    | WC-37317 | KIT, STRAIGHT FITTING & BUSHING 8mm GEN USE       |
| 4B <sup>2</sup> | WC-5502-01  | KIT, PROBE, ASSY WATER LEVEL W/HEX FITTING, O-RING & NUT    | 12*    | WC-37365 | KIT, FITTING TANK INLET                           |
| 5*              | WC-906-04   | KIT, ELEMENT, HEATING 2KW 220V W/ JAM NUT & SILICONE O-RING | 13*    | WC-37357 | KIT, STRAIGHT PLASTIC FITTING AND BUSHING 12MM    |
| 6*              | WC-1438-101 | SENSOR, TEMPERATURE TANK                                    |        |          |   |
| 7*              | WC-4394     | GUARD, SHOCK/HEATING ELEMENT FOR SINGLE HEATING ELEMENT     |        |          |   |

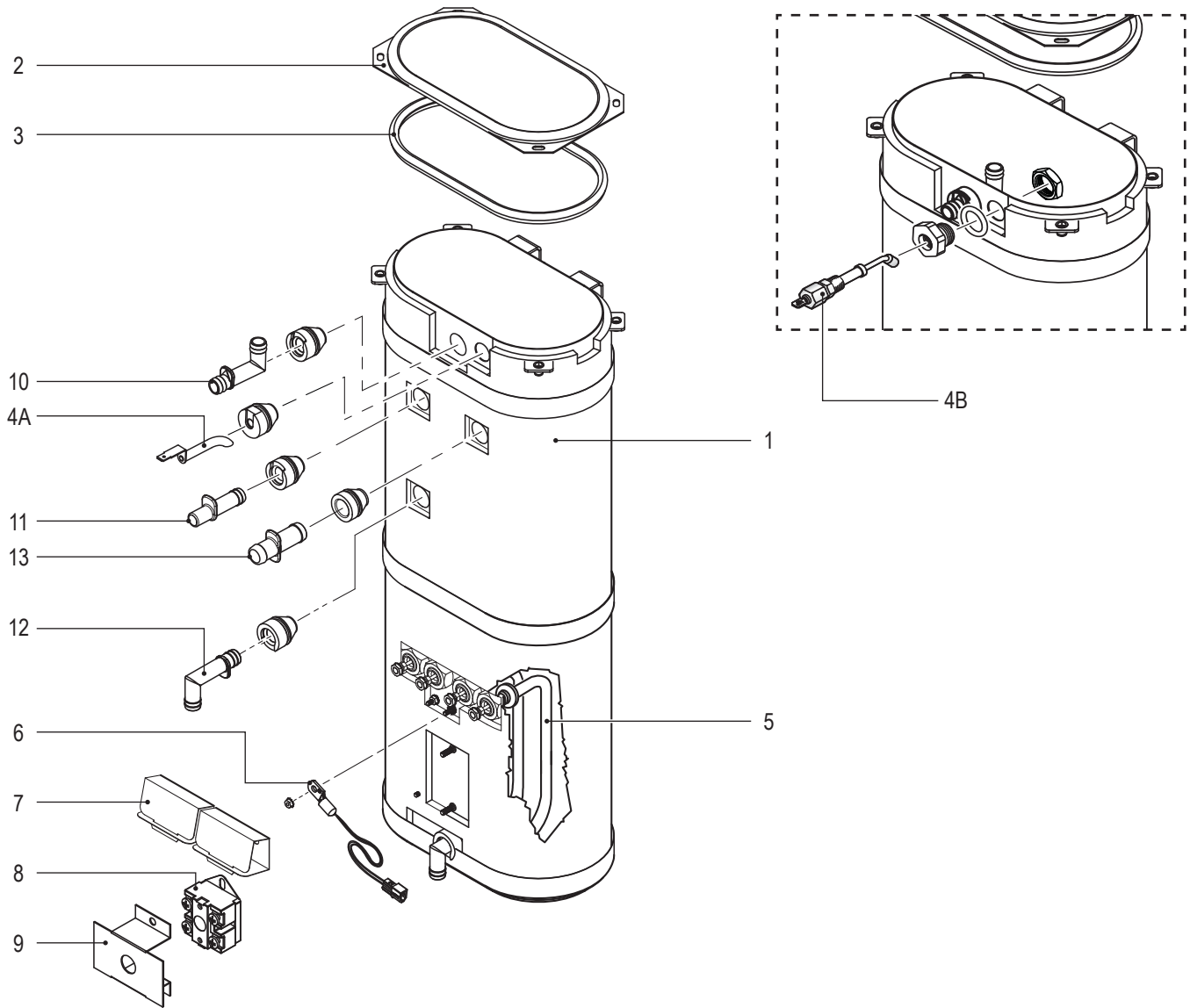
<sup>1</sup> Units built 01/04/2019 and later.

<sup>2</sup> Units built before 01/04/2019. Replaces WC-5527.

• Recommended parts to stock.



WC-62034 - Tank Assembly



WC-62034 - Tank Assembly - Parts List

| ITEM #          | PART #      | DESCRIPTION  |
|-----------------|-------------|--|
| 1               | WC-62034    | TANK, COMPLETE GEMSS DV W/ ULTEM FITINGS                     |
| 2               | WC-5853-102 | COVER, TOP HEATING TANK GEN USE                              |
| 3*              | WC-43062    | GASKET, TANK LID   |
| 4A <sup>1</sup> | WC-5528K    | KIT, WATER LEVEL PROBE, SILICONE                             |
| 4B <sup>2</sup> | WC-5502-01  | KIT, PROBE, ASSY WATER LEVEL W/HEX FITTING, O-RING & NUT     |
| 5*              | WC-904-04   | KIT, ELEMENT, HEATING 1.6KW120V W/ JAM NUT & SILICONE O-RING |
| 6*              | WC-1438-101 | SENSOR, TEMPERATURE TANK                                     |
| 7*              | WC-4394     | GUARD, SHOCK/HEATING ELEMENT FOR SINGLE HEATING ELEMENT      |

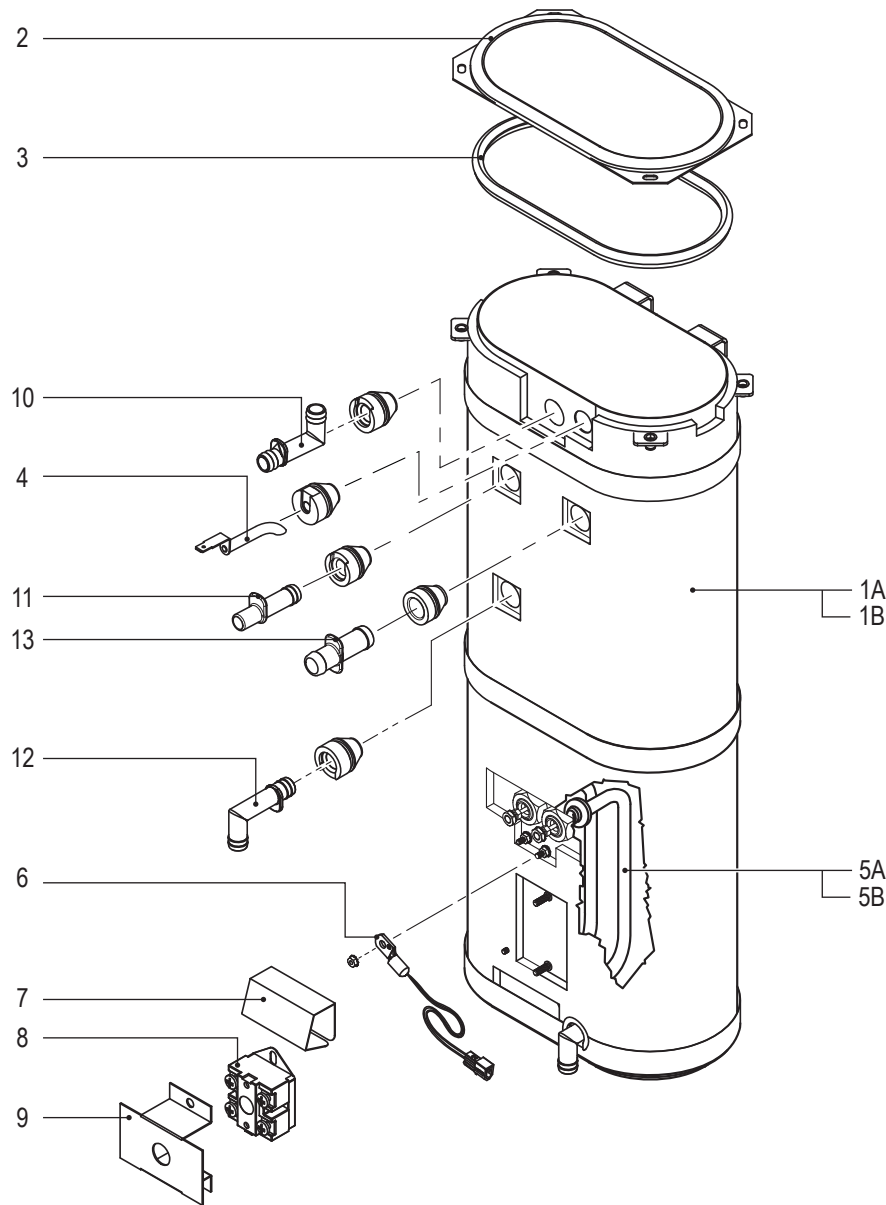
| ITEM # | PART #   | DESCRIPTION                                       |
|--------|----------|---|
| 8*     | WC-522   | THERMOSTAT, HI LIMIT HEATER CONTROL DPST 277V 40A |
| 9*     | WC-43055 | GUARD, SHOCK RESET THERMOSTAT (WC-522)            |
| 10*    | WC-37266 | KIT, FITTING TANK OVERFLOW                        |
| 11*    | WC-37317 | KIT, STRAIGHT FITTING & BUSHING 8mm GEN USE       |
| 12*    | WC-37365 | KIT, FITTING TANK INLET                           |
| 13*    | WC-37357 | KIT, STRAIGHT PLASTIC FITTING AND BUSHING 12MM    |

<sup>1</sup> Units built 01/04/2019 and later.

<sup>2</sup> Units built before 01/04/2019. Replaces WC-5527.

• Recommended parts to stock.

WC-62035-31/WC-54299-33 - Tank Assembly



Parts List

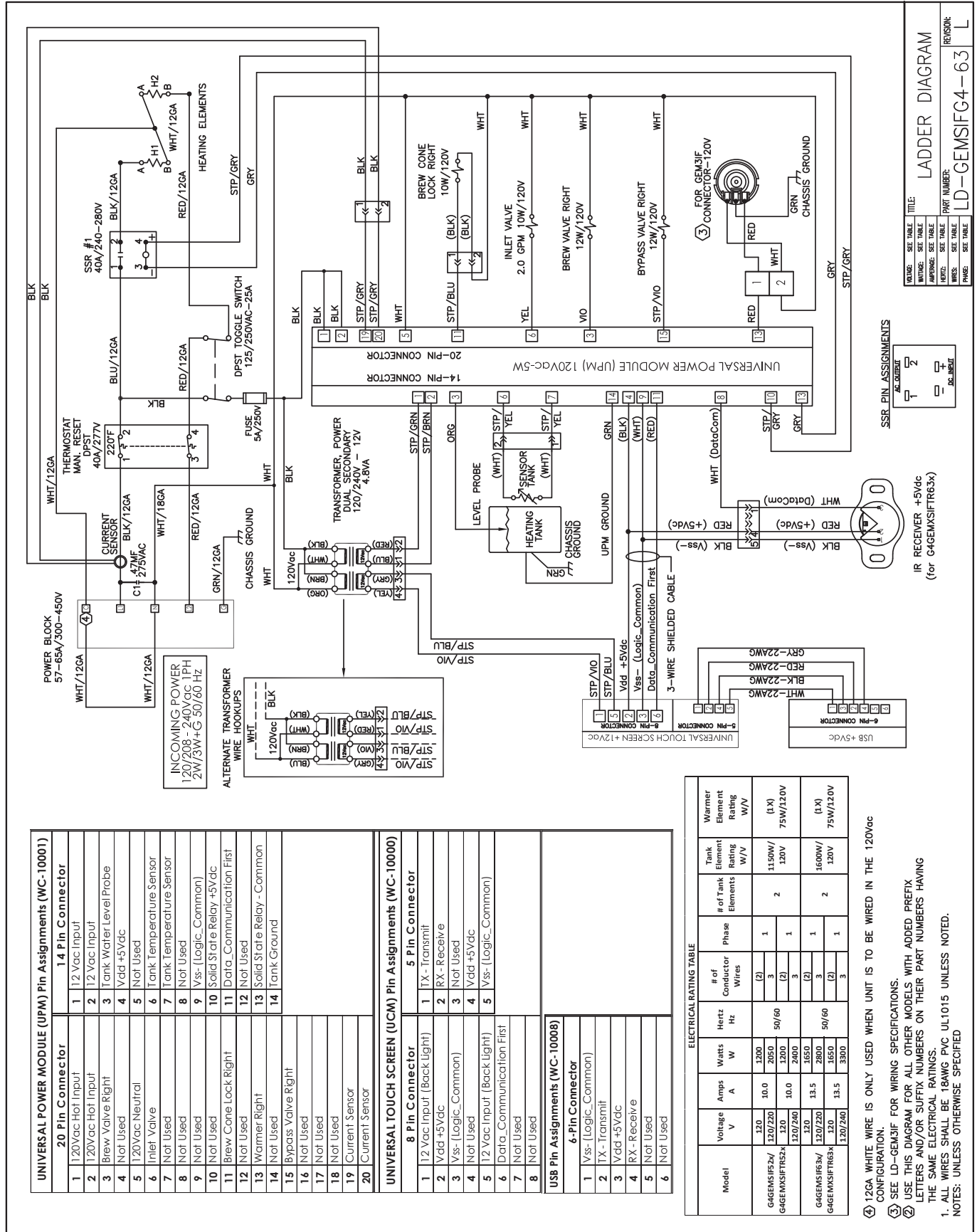
| ITEM # | PART #      | DESCRIPTION  |
|--------|-------------|--|
| 1A     | WC-62035-31 | TANK, COMPLETE (1)2500W/220V                                 |
| 1B     | WC-54299-33 | TANK, ASSY (1) 3500W/220V                                    |
| 2      | WC-5853-102 | COVER, TOP HEATING TANK GEN USE                              |
| 3*     | WC-43062    | GASKET, TANK LID   |
| 4      | WC-5528K    | KIT, WATER LEVEL PROBE, SILICONE                             |
| 5A*    | WC-934-04   | KIT,ELEMENT HEATING 2.5KW 220V W/ JAM NUT & SILICONE WASHERS |
| 5B     | WC-922-04   | KIT,ELEMENT HEATING 3.5KW 220V W/JAM NUTS & SILICONE WASHERS |
| 6*     | WC-1438-101 | SENSOR, TEMPERATURE TANK                                     |

| ITEM # | PART #   | DESCRIPTION   |
|--------|----------|---|
| 7*     | WC-4394  | GUARD, SHOCK/HEATING ELEMENT FOR SINGLE HEATING ELEMENT |
| 8*     | WC-522   | THERMOSTAT, HI LIMIT HEATER CONTROL DPST 277V 40A       |
| 9*     | WC-43055 | GUARD, SHOCK RESET THERMOSTAT (WC-522)                  |
| 10*    | WC-37266 | KIT, FITTING TANK OVERFLOW                              |
| 11*    | WC-37317 | KIT, STRAIGHT FITTING & BUSHING 8mm GEN USE             |
| 12*    | WC-37365 | KIT, FITTING TANK INLET                                 |
| 13*    | WC-37357 | KIT, STRAIGHT PLASTIC FITTING AND BUSHING 12MM          |

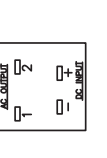
\* Recommended parts to stock



G4GEMSIF63A1000, G4GEMSIF63B1000



|                     |                             |
|---------------------|-----------------------------|
| VALUE: SEE TABLE    | TITLE: LADDER DIAGRAM       |
| WIRING: SEE TABLE   | PART NUMBER: LD-GEMSIFG4-63 |
| APPROVAL: SEE TABLE | REVISION: L                 |
| NOTES: SEE TABLE    |                             |
| PHASE: SEE TABLE    |                             |

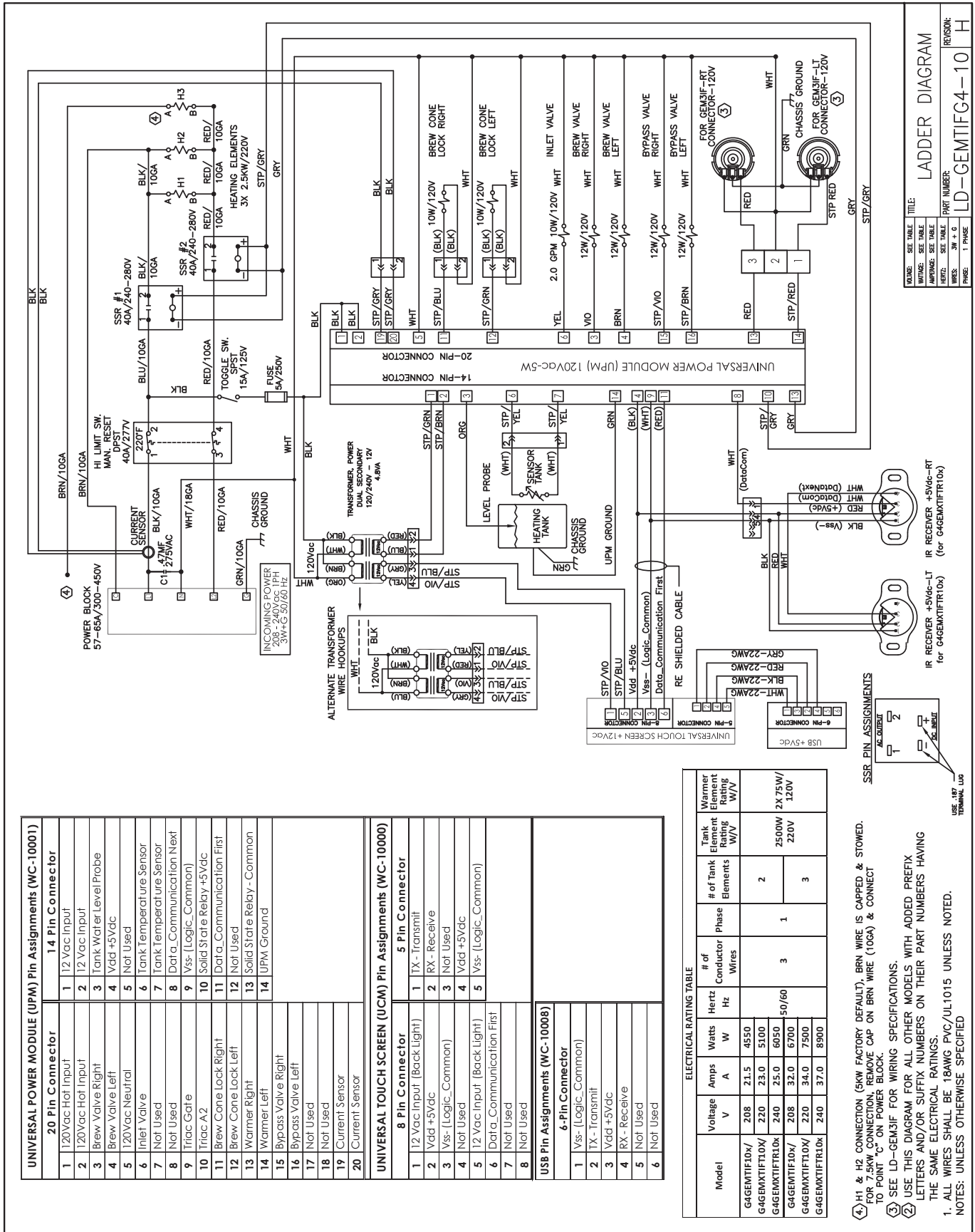


| UNIVERSAL POWER MODULE (UPM) Pin Assignments (WC-10001)        |                            |
|--|----------------------------|
| <b>20 Pin Connector</b>  |                            |
| 1  | 12 Vac Input               |
| 2  | 12 Vac Input               |
| 3  | Tank Water Level Probe     |
| 4  | Vdd +5Vdc                  |
| 5  | Not Used                   |
| 6  | Tank Temperature Sensor    |
| 7  | Not Used                   |
| 8  | Not Used                   |
| 9  | Vss (Logic, Common)        |
| 10   | Solid State Relay +5Vdc    |
| 11   | Data, Communication First  |
| 12   | Not Used                   |
| 13   | Solid State Relay - Common |
| 14   | Tank Ground                |
| 15   | Bypass Valve Right         |
| 16   | Not Used                   |
| 17   | Not Used                   |
| 18   | Not Used                   |
| 19   | Current Sensor             |
| 20   | Current Sensor             |
| <b>UNIVERSAL TOUCH SCREEN (UCM) Pin Assignments (WC-10000)</b> |                            |
| <b>8 Pin Connector</b>   |                            |
| 1  | 12 Vac Input (Back Light)  |
| 2  | Vdd +5Vdc                  |
| 3  | Vss (Logic, Common)        |
| 4  | Not Used                   |
| 5  | 12 Vac Input (Back Light)  |
| 6  | Data, Communication First  |
| 7  | Not Used                   |
| 8  | Not Used                   |
| <b>USB Pin Assignments (WC-10008)</b>                          |                            |
| <b>6-Pin Connector</b>   |                            |
| 1  | Vss (Logic, Common)        |
| 2  | TX - Transmit              |
| 3  | Vdd +5Vdc                  |
| 4  | RX - Receive               |
| 5  | Not Used                   |
| 6  | Not Used                   |

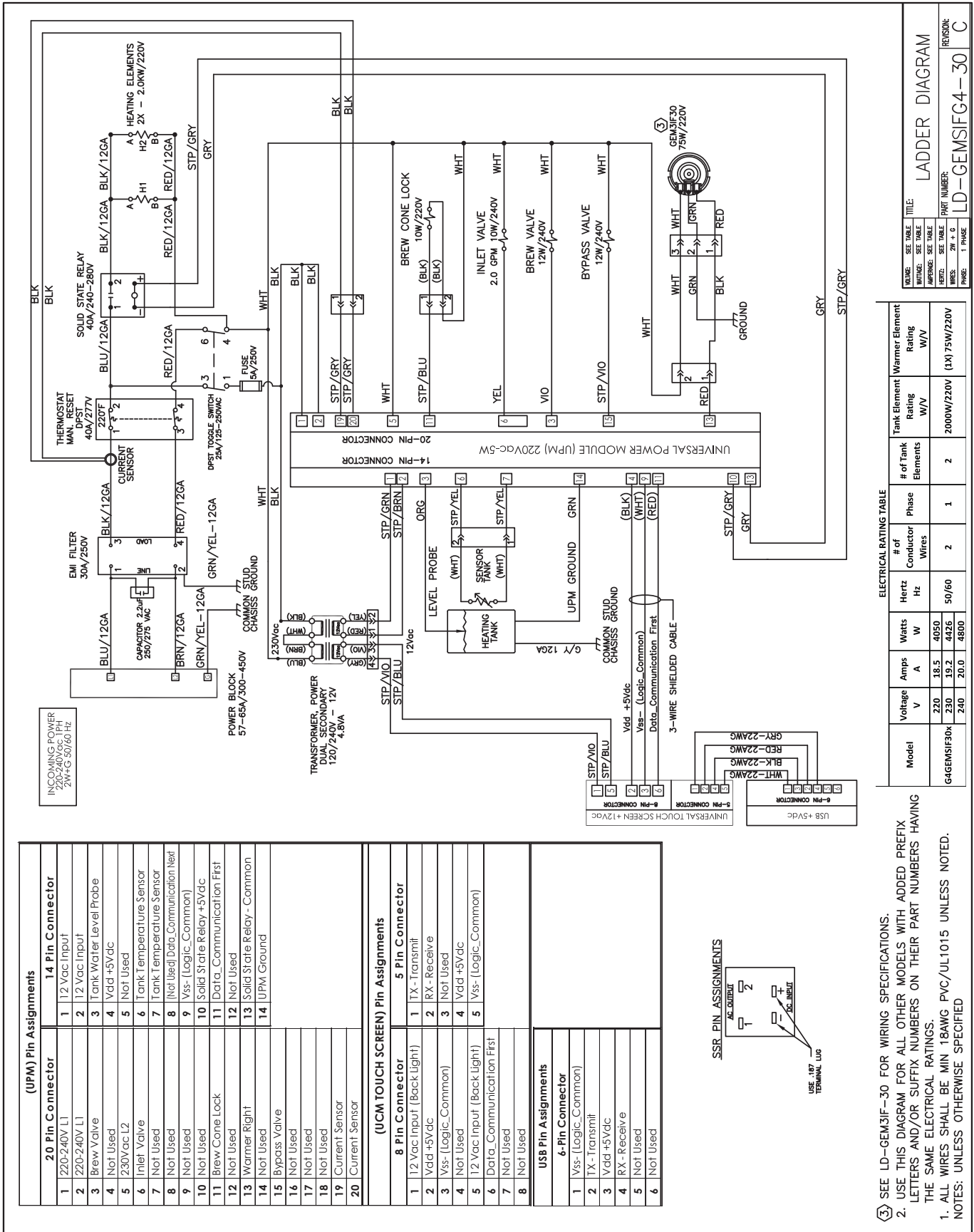
| Model              | Voltage V | Amps A | Watts W | Hertz Hz | # of Conductor Wires | Phase | # of Tank Elements | Tank Element Rating W/V | Warmer Element Rating W/V |
|--------------------|-----------|--------|---------|----------|----------------------|-------|--------------------|-------------------------|---------------------------|
| G4GEMSF63A/120/220 | 120       | 10.0   | 1200    | 50/60    | (2)                  | 1     | 2                  | 1150W/120V              | (1X)                      |
| G4GEMSF63B/120/240 | 120       | 10.0   | 1200    | 50/60    | (2)                  | 1     | 2                  | 120V                    | (1X)                      |
| G4GEMSF63A/120/220 | 120       | 13.5   | 1650    | 50/60    | (2)                  | 1     | 2                  | 1600W/120V              | (1X)                      |
| G4GEMSF63B/120/240 | 120       | 13.5   | 1650    | 50/60    | (2)                  | 1     | 2                  | 120V                    | (1X)                      |
|                    |           |        | 3300    |          | 3                    |       |                    |                         |                           |

- 12GA WHITE WIRE IS ONLY USED WHEN UNIT IS TO BE WIRED IN THE 120Vac CONFIGURATION.
  - SEE LD-GEMJIF FOR WIRING SPECIFICATIONS.
  - USE THIS DIAGRAM FOR ALL OTHER MODELS WITH ADDED PREFIX LETTERS AND/OR SUFFIX NUMBERS ON THEIR PART NUMBERS HAVING THE SAME ELECTRICAL RATINGS.
  - ALL WIRES SHALL BE 18AWG PVC UL1015 UNLESS NOTED.
- NOTES: UNLESS OTHERWISE SPECIFIED

G4GEMTIF10A1000, G4GEMTIF10B1000

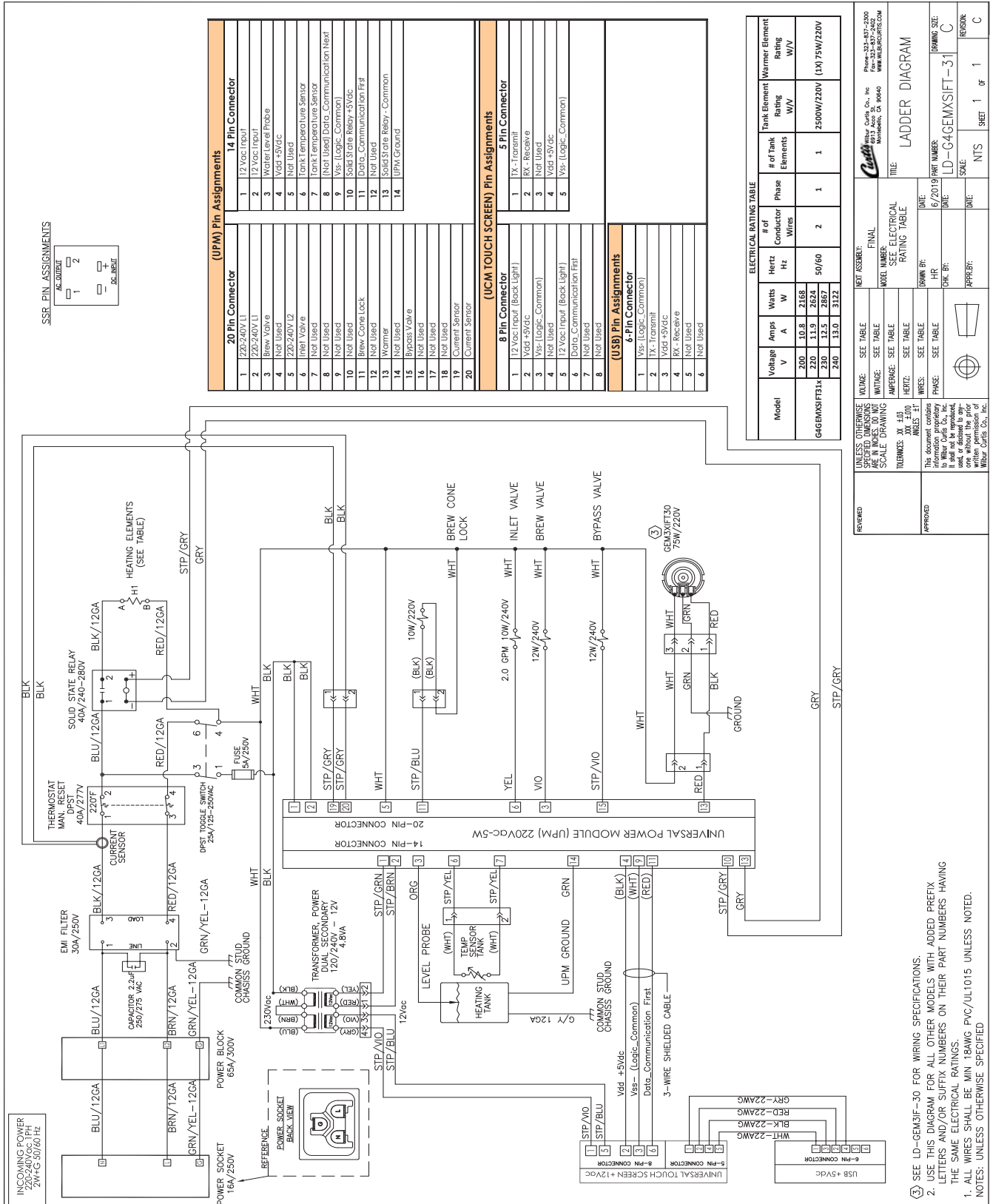


G4GEMSIF30A1000, G4GEMXSIF30A1000

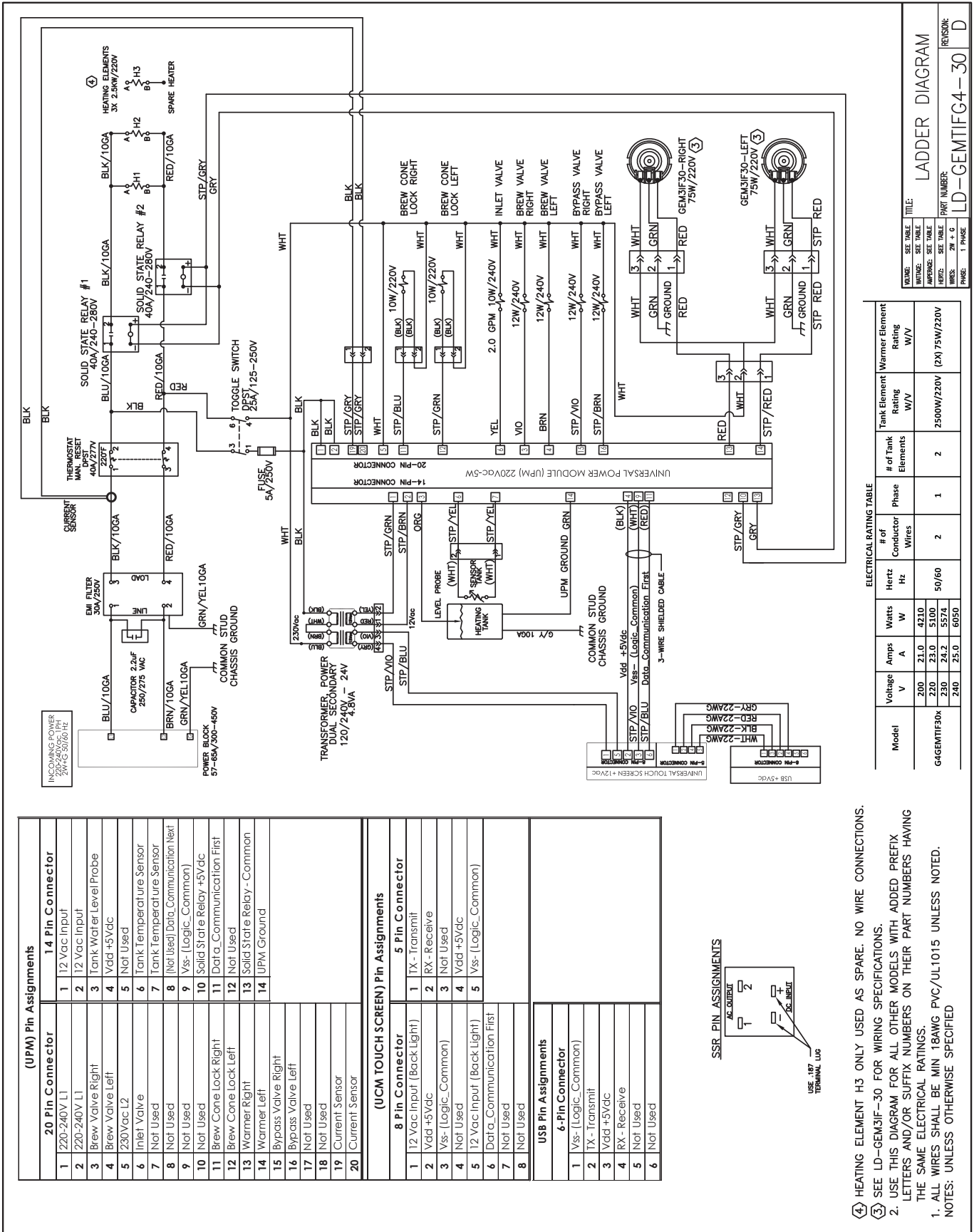


3. SEE LD-GEM3IF-30 FOR WIRING SPECIFICATIONS.  
 2. USE THIS DIAGRAM FOR ALL OTHER MODELS WITH ADDED PREFIX LETTERS AND/OR SUFFIX NUMBERS ON THEIR PART NUMBERS HAVING THE SAME ELECTRICAL RATINGS.  
 1. ALL WIRES SHALL BE MIN. 18AWG PVC/UL1015 UNLESS NOTED.  
 NOTES: UNLESS OTHERWISE SPECIFIED

G4GEMXSIFT31x - 220-240Vac INTERNATIONAL MODEL



G4GEMTIF30A1000, G4GEMXTIF30A1000



|                   |                             |
|-------------------|-----------------------------|
| NAME: SEE TABLE   | TITLE: LADDER DIAGRAM       |
| WIRING: SEE TABLE | PART NUMBER: LD-GEMTIFG4-30 |
| REV: SEE TABLE    | REVISION: D                 |
| WIRING: 2W + G    |                             |
| PHASE: 1 PHASE    |                             |

| Model       | Voltage V | Amps A | Watts W | Hertz Hz | # of Conductor Wires | Phase | # of Tank Elements | Tank Element Rating W/V | Warmer Element Rating W/V |
|-------------|-----------|--------|---------|----------|----------------------|-------|--------------------|-------------------------|---------------------------|
| G4GEMTIF30A | 200       | 21.0   | 4210    | 50/60    | 2                    | 1     | 2                  | 2500W/220V              | (2X) 75W/220V             |
|             | 230       | 21.0   | 5100    |          |                      |       |                    |                         |                           |
|             | 230       | 24.2   | 5574    |          |                      |       |                    |                         |                           |
|             | 240       | 25.0   | 6050    |          |                      |       |                    |                         |                           |

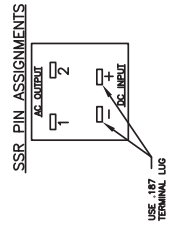
| (UPM) Pin Assignments   |                                      |
|-------------------------|--------------------------------------|
| <b>20 Pin Connector</b> | <b>14 Pin Connector</b>              |
| 1 220-240V L1           | 1 12 Vac Input                       |
| 2 220-240V L1           | 2 12 Vac Input                       |
| 3 Brew Valve Right      | 3 Tank Water Level Probe             |
| 4 Brew Valve Left       | 4 Vdd +5Vdc                          |
| 5 230Vac L2             | 5 Not Used                           |
| 6 Inlet Valve           | 6 Tank Temperature Sensor            |
| 7 Not Used              | 7 Not Used                           |
| 8 Not Used              | 8 [Not Used] Data Communication Next |
| 9 Not Used              | 9 Vss (Logic, Common)                |
| 10 Not Used             | 10 Solid State Relay +5Vdc           |
| 11 Brew Cone Lock Right | 11 Data, Communication First         |
| 12 Brew Cone Lock Left  | 12 Not Used                          |
| 13 Warmer Right         | 13 Solid State Relay - Common        |
| 14 Warmer Left          | 14 UPM Ground                        |
| 15 Bypass Valve Right   |                                      |
| 16 Bypass Valve Left    |                                      |
| 17 Not Used             |                                      |
| 18 Not Used             |                                      |
| 19 Current Sensor       |                                      |
| 20 Current Sensor       |                                      |

| (UCM TOUCH SCREEN) Pin Assignments |                        |
|------------------------------------|------------------------|
| <b>8 Pin Connector</b>             | <b>5 Pin Connector</b> |
| 1 12 Vac Input (Back Light)        | 1 TX - Transmit        |
| 2 Vdd +5Vdc                        | 2 RX - Receive         |
| 3 Vss (Logic, Common)              | 3 Not Used             |
| 4 Not Used                         | 4 Vdd +5Vdc            |
| 5 12 Vac Input (Back Light)        | 5 Vss (Logic, Common)  |
| 6 Data, Communication First        |                        |
| 7 Not Used                         |                        |
| 8 Not Used                         |                        |

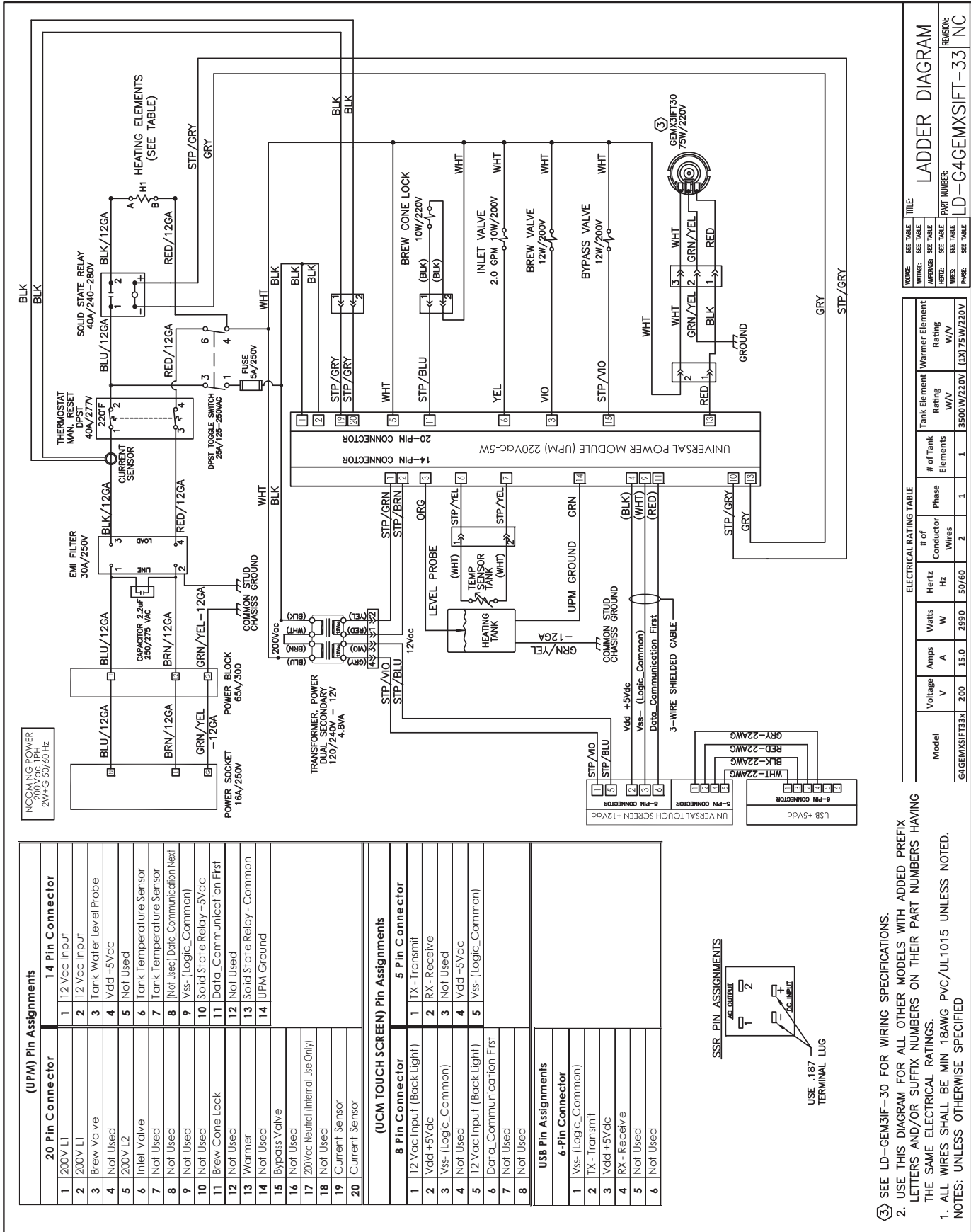
  

| USB Pin Assignments    |  |
|------------------------|--|
| <b>6-Pin Connector</b> |  |
| 1 Vss (Logic, Common)  |  |
| 2 TX - Transmit        |  |
| 3 Vdd +5Vdc            |  |
| 4 RX - Receive         |  |
| 5 Not Used             |  |
| 6 Not Used             |  |



- HEATING ELEMENT H3 ONLY USED AS SPARE. NO WIRE CONNECTIONS.
- SEE LD-GEM3IF-30 FOR WIRING SPECIFICATIONS.
- USE THIS DIAGRAM FOR ALL OTHER MODELS WITH ADDED PREFIX LETTERS AND/OR SUFFIX NUMBERS ON THEIR PART NUMBERS HAVING THE SAME ELECTRICAL RATINGS.
- ALL WIRES SHALL BE MIN 18AWG PVC/UL1015 UNLESS NOTED. NOTES: UNLESS OTHERWISE SPECIFIED

G4GEMXSIFT-33



**(UPM) Pin Assignments**

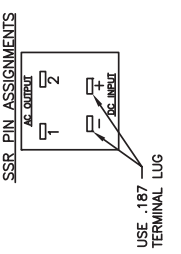
| 20 Pin Connector |                                    | 14 Pin Connector |                                    |
|------------------|------------------------------------|------------------|------------------------------------|
| 1                | 200V L1                            | 1                | 12 Vac Input                       |
| 2                | 200V L1                            | 2                | 12 Vac Input                       |
| 3                | Brew Valve                         | 3                | Tank Water Level Probe             |
| 4                | Not Used                           | 4                | Vdd +5Vdc                          |
| 5                | 200V L2                            | 5                | Not Used                           |
| 6                | Inlet Valve                        | 6                | Tank Temperature Sensor            |
| 7                | Not Used                           | 7                | Tank Temperature Sensor            |
| 8                | Not Used                           | 8                | [Not Used] Data Communication Next |
| 9                | Not Used                           | 9                | Vss- (Logic, Common)               |
| 10               | Not Used                           | 10               | Solid State Relay +5Vdc            |
| 11               | Brew Cone Lock                     | 11               | Data, Communication First          |
| 12               | Not Used                           | 12               | Not Used                           |
| 13               | Warmer                             | 13               | Solid State Relay - Common         |
| 14               | Not Used                           | 14               | UPM Ground                         |
| 15               | Bypass Valve                       |                  |                                    |
| 16               | Not Used                           |                  |                                    |
| 17               | 200Vac Neutral (Internal Use Only) |                  |                                    |
| 18               | Not Used                           |                  |                                    |
| 19               | Current Sensor                     |                  |                                    |
| 20               | Current Sensor                     |                  |                                    |

**(UCM TOUCH SCREEN) Pin Assignments**

| 8 Pin Connector |                           | 5 Pin Connector |                      |
|-----------------|---------------------------|-----------------|----------------------|
| 1               | 12 Vac Input (Back Light) | 1               | TX - Transmit        |
| 2               | Vdd +5Vdc                 | 2               | RX - Receive         |
| 3               | Vss- (Logic, Common)      | 3               | Not Used             |
| 4               | Not Used                  | 4               | Vdd +5Vdc            |
| 5               | 12 Vac Input (Back Light) | 5               | Vss- (Logic, Common) |
| 6               | Data, Communication First |                 |                      |
| 7               | Not Used                  |                 |                      |
| 8               | Not Used                  |                 |                      |

**USB Pin Assignments**

| 6-Pin Connector |                      |
|-----------------|----------------------|
| 1               | Vss- (Logic, Common) |
| 2               | TX - Transmit        |
| 3               | Vdd +5Vdc            |
| 4               | RX - Receive         |
| 5               | Not Used             |
| 6               | Not Used             |



**ELECTRICAL RATING TABLE**

| Model         | Voltage V | Amps A | Watts W | Hertz Hz | # of Conductor Wires | Phase | # of Tank Elements | Tank Element Rating W/V  | Warmer Element Rating W/V |
|---------------|-----------|--------|---------|----------|----------------------|-------|--------------------|--------------------------|---------------------------|
| G4GEMXSIFT33A | 200       | 15.0   | 2990    | 50/60    | 2                    | 1     | 1                  | 3500W/220V (LX) 75W/220V |                           |

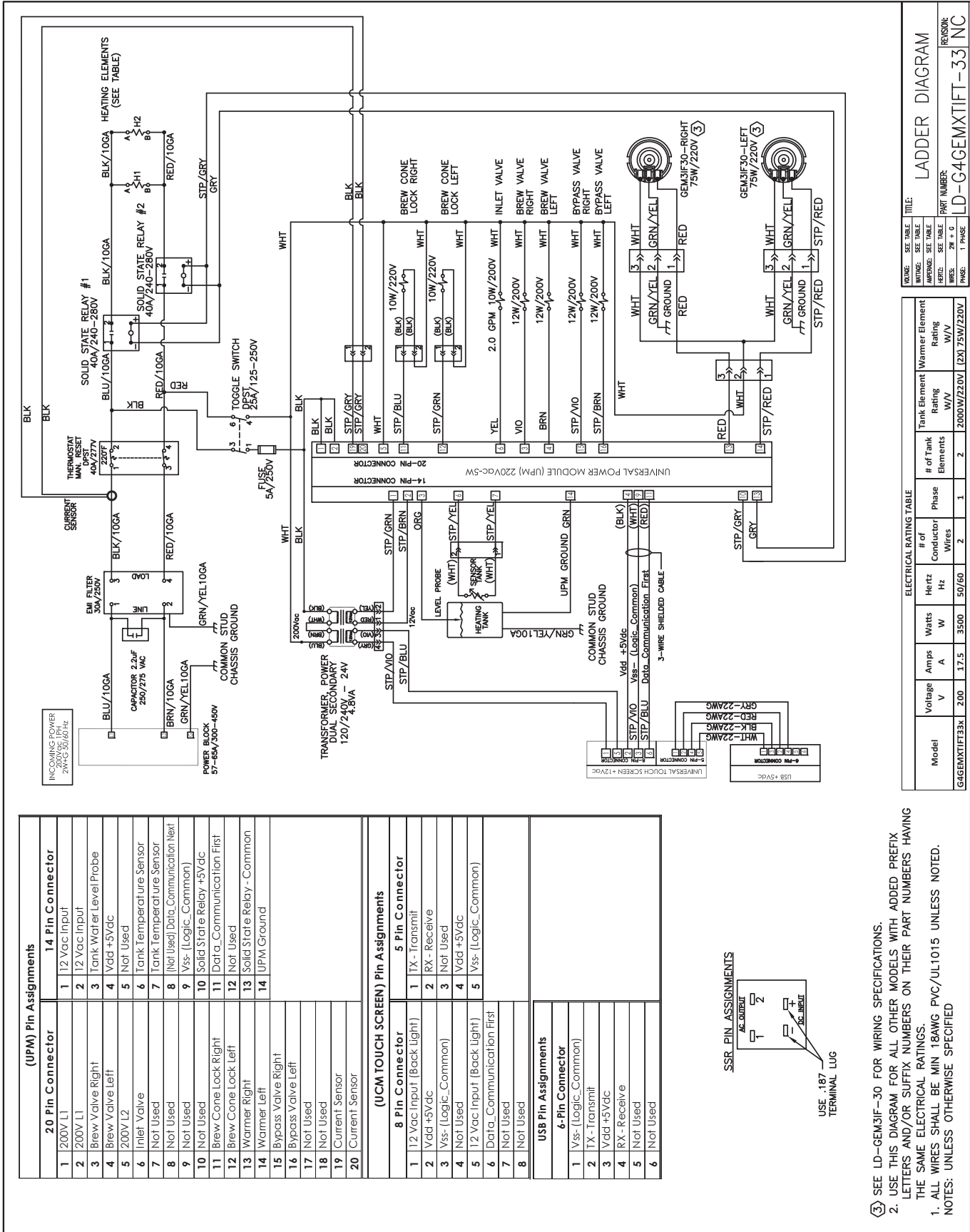
**LADDER DIAGRAM**

| VALUE       | SEE TABLE | TITLE            |
|-------------|-----------|------------------|
| WIRING      | SEE TABLE | LADDER DIAGRAM   |
| AMPAGE      | SEE TABLE |                  |
| HERTZ       | SEE TABLE |                  |
| PHASE       | SEE TABLE |                  |
| PART NUMBER |           | LD-G4GEMXSIFT-33 |
| REVISION    |           | NC               |

- SEE LD-GEM3F-30 FOR WIRING SPECIFICATIONS.
- USE THIS DIAGRAM FOR ALL OTHER MODELS WITH ADDED PREFIX LETTERS AND/OR SUFFIX NUMBERS ON THEIR PART NUMBERS HAVING THE SAME ELECTRICAL RATINGS.
  - ALL WIRES SHALL BE MIN. 18AWG PVC/UL1015 UNLESS NOTED. NOTES: UNLESS OTHERWISE SPECIFIED

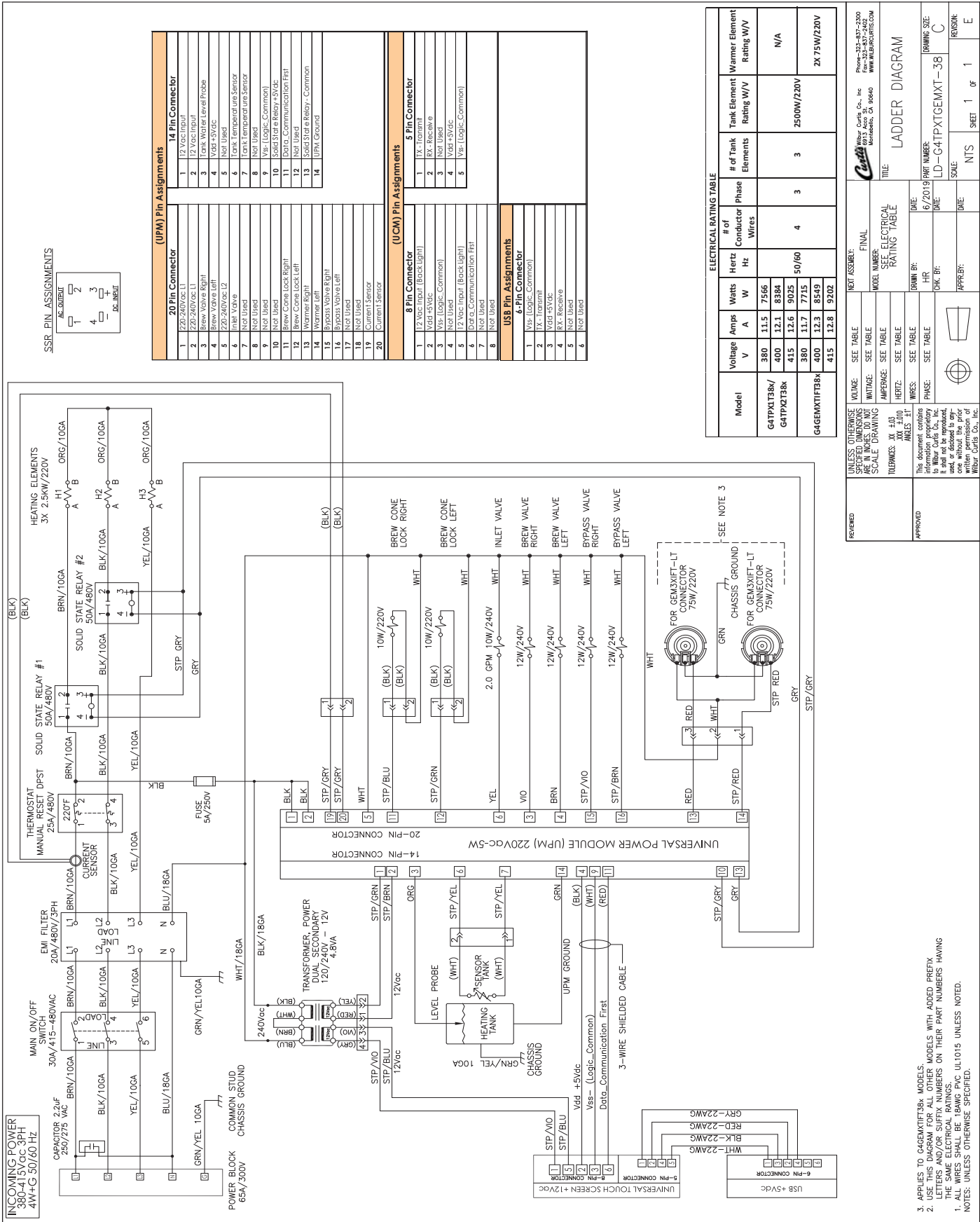


G4GEMXTIFT-33



SEE LD-GEM3JF-30 FOR WIRING SPECIFICATIONS.  
 USE THIS DIAGRAM FOR ALL OTHER MODELS WITH ADDED PREFIX LETTERS AND/OR SUFFIX NUMBERS ON THEIR PART NUMBERS HAVING THE SAME ELECTRICAL RATINGS.  
 1. ALL WIRES SHALL BE MIN 18AWG PVC/UL1015 UNLESS NOTED.  
 NOTES: UNLESS OTHERWISE SPECIFIED

G4GEMXTIFT38, G4TPX1T38, G4TPX2T38



SSR PIN ASSIGNMENTS



**(UPM) Pin Assignments**

| Pin | Assignment    |
|-----|---------------|
| 1   | 220-240Vdc L1 |
| 2   | 12 Vac Input  |
| 3   | 220-240Vdc L2 |
| 4   | 12 Vac Input  |
| 5   | 220-240Vdc L1 |
| 6   | 12 Vac Input  |
| 7   | 12 Vac Input  |
| 8   | Not Used      |
| 9   | Not Used      |
| 10  | Not Used      |
| 11  | Not Used      |
| 12  | Not Used      |
| 13  | Not Used      |
| 14  | UPM Ground    |

**(UCM) Pin Assignments**

| Pin | Assignment     |
|-----|----------------|
| 1   | TX - Transmit  |
| 2   | RX - Receive   |
| 3   | Not Used       |
| 4   | Not Used       |
| 5   | Not Used       |
| 6   | Not Used       |
| 7   | Not Used       |
| 8   | Not Used       |
| 9   | Not Used       |
| 10  | Not Used       |
| 11  | Not Used       |
| 12  | Not Used       |
| 13  | Not Used       |
| 14  | Not Used       |
| 15  | Not Used       |
| 16  | Not Used       |
| 17  | Not Used       |
| 18  | Not Used       |
| 19  | Current Sensor |
| 20  | Current Sensor |

**USB Pin Assignments**

| Pin | Assignment    |
|-----|---------------|
| 1   | TX - Transmit |
| 2   | RX - Receive  |
| 3   | Not Used      |
| 4   | Not Used      |
| 5   | Not Used      |
| 6   | Not Used      |

**ELECTRICAL RATING TABLE**

| Model                 | Voltage V | Amps A | Watts W | Hertz Hz | # of Wires | Phase | # of Tank Elements | Tank Element Rating W/V | Warmer Element Rating W/V |
|-----------------------|-----------|--------|---------|----------|------------|-------|--------------------|-------------------------|---------------------------|
| G4TPX1T38X/G4TPX2T38X | 380       | 11.5   | 7566    | 50/60    | 4          | 3     | 3                  | 2500W/220V              | N/A                       |
| G4GEMXTIFB38X         | 415       | 12.6   | 9025    | 50/60    | 4          | 3     | 3                  | 2500W/220V              | N/A                       |
| G4GEMXTIFB38X         | 415       | 12.3   | 8549    | 50/60    | 4          | 3     | 3                  | 2500W/220V              | N/A                       |
| G4GEMXTIFB38X         | 415       | 12.8   | 9202    | 50/60    | 4          | 3     | 3                  | 2500W/220V              | N/A                       |

**REVISION**

| REV | DATE    | DESCRIPTION     |
|-----|---------|-----------------|
| 1   | 6/20/19 | INITIAL RELEASE |
| 2   | 6/20/19 | REVISION 1      |
| 3   | 6/20/19 | REVISION 2      |

**UNLESS OTHERWISE SPECIFIED, DIMENSIONS ARE IN INCHES. DO NOT SCALE DRAWING.**

**APPROVED**

**REVISION**

**DATE**

**DESCRIPTION**

**SCALE**

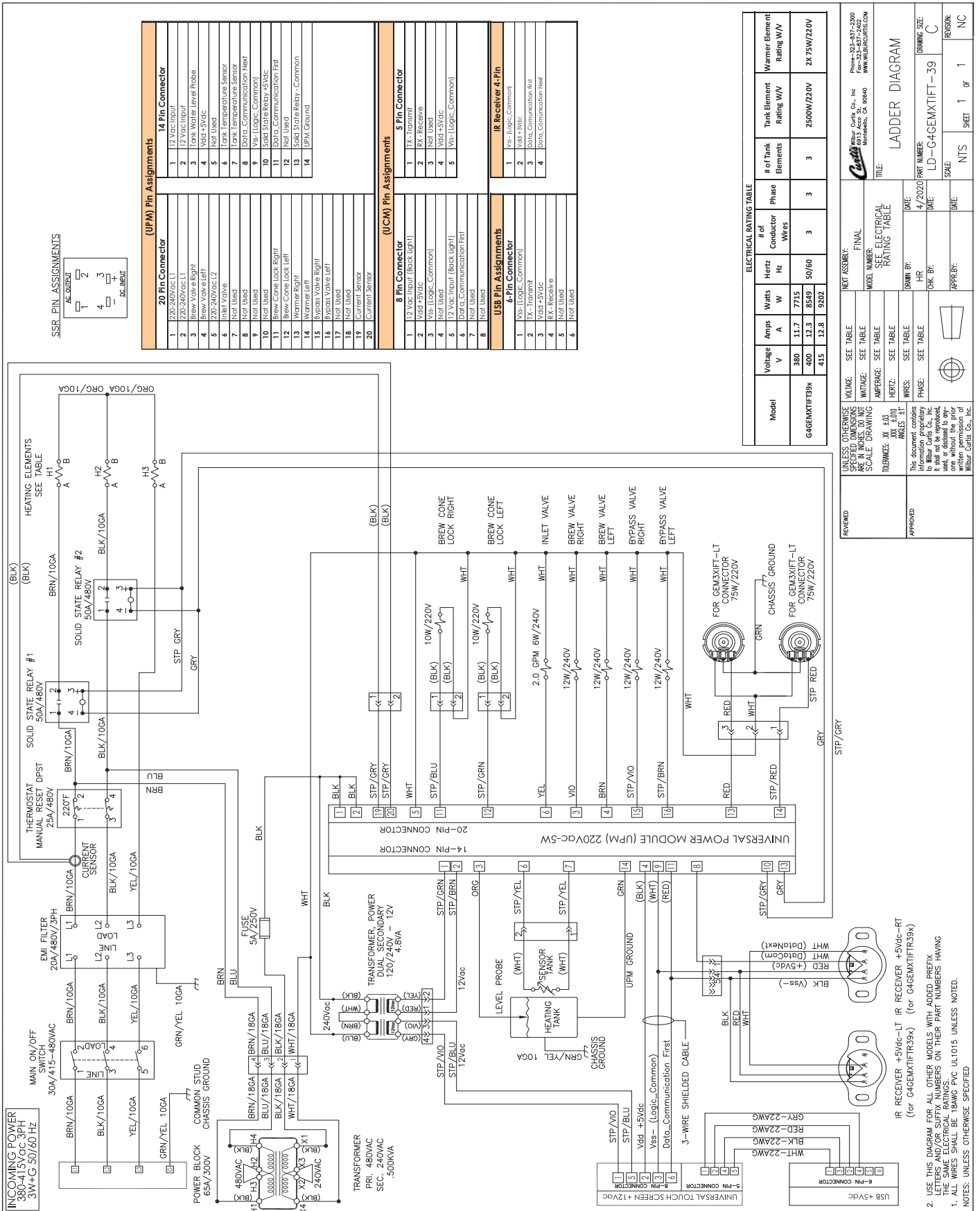
**SHEET** 1 of 1

**REVISION** E

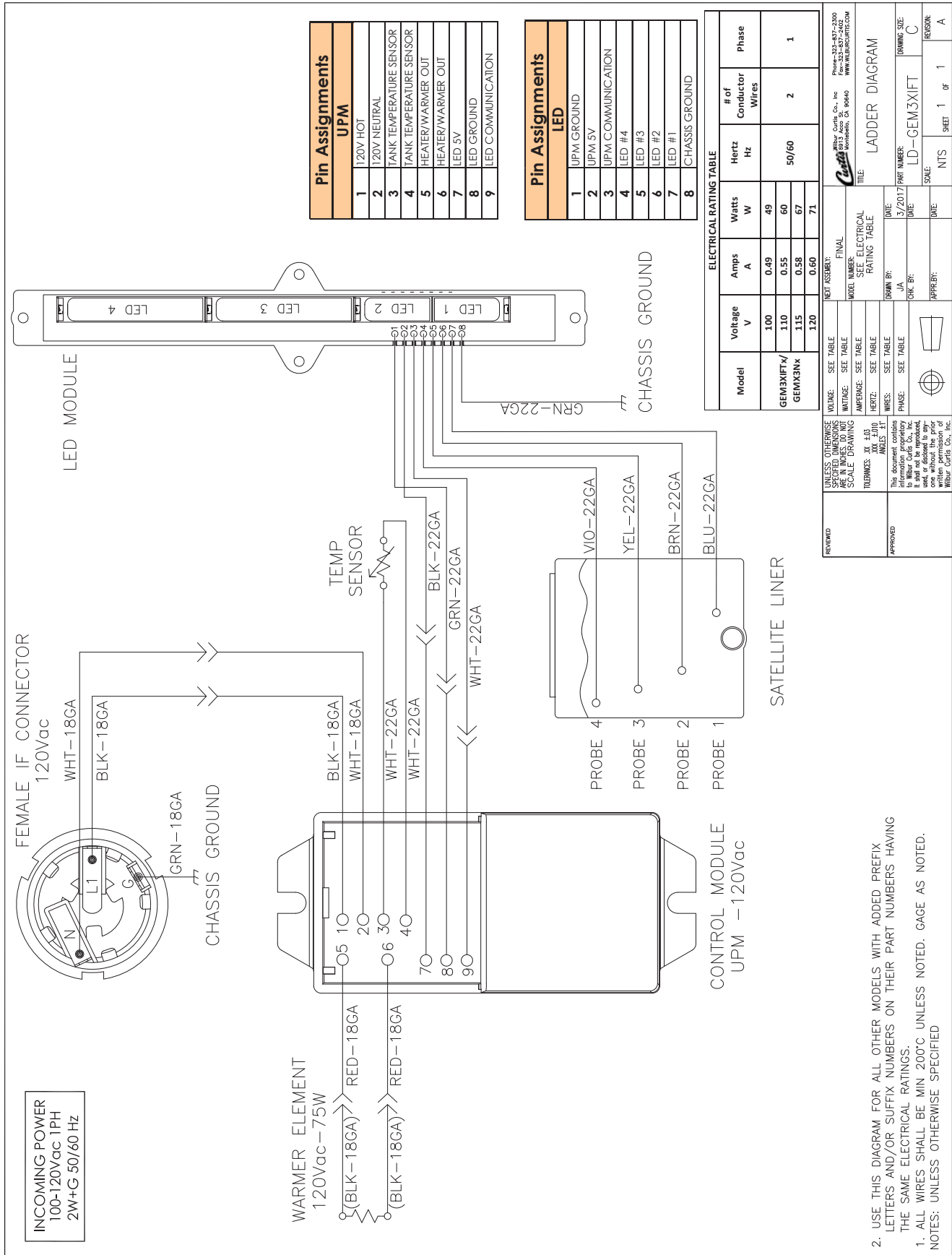
- APPLIES TO G4GEMXTIFB38X MODELS.
- USE THIS DIAGRAM FOR ALL OTHER MODELS WITH ADDED PREFIX LETTERS AND/OR SUFFIX NUMBERS ON THEIR PART NUMBERS HAVING THE SAME ELECTRICAL RATINGS.
- ALL WIRES SHALL BE 18AWG PVC UL1015 UNLESS NOTED. NOTES: UNLESS OTHERWISE SPECIFIED.



G4GEMXTIFT39

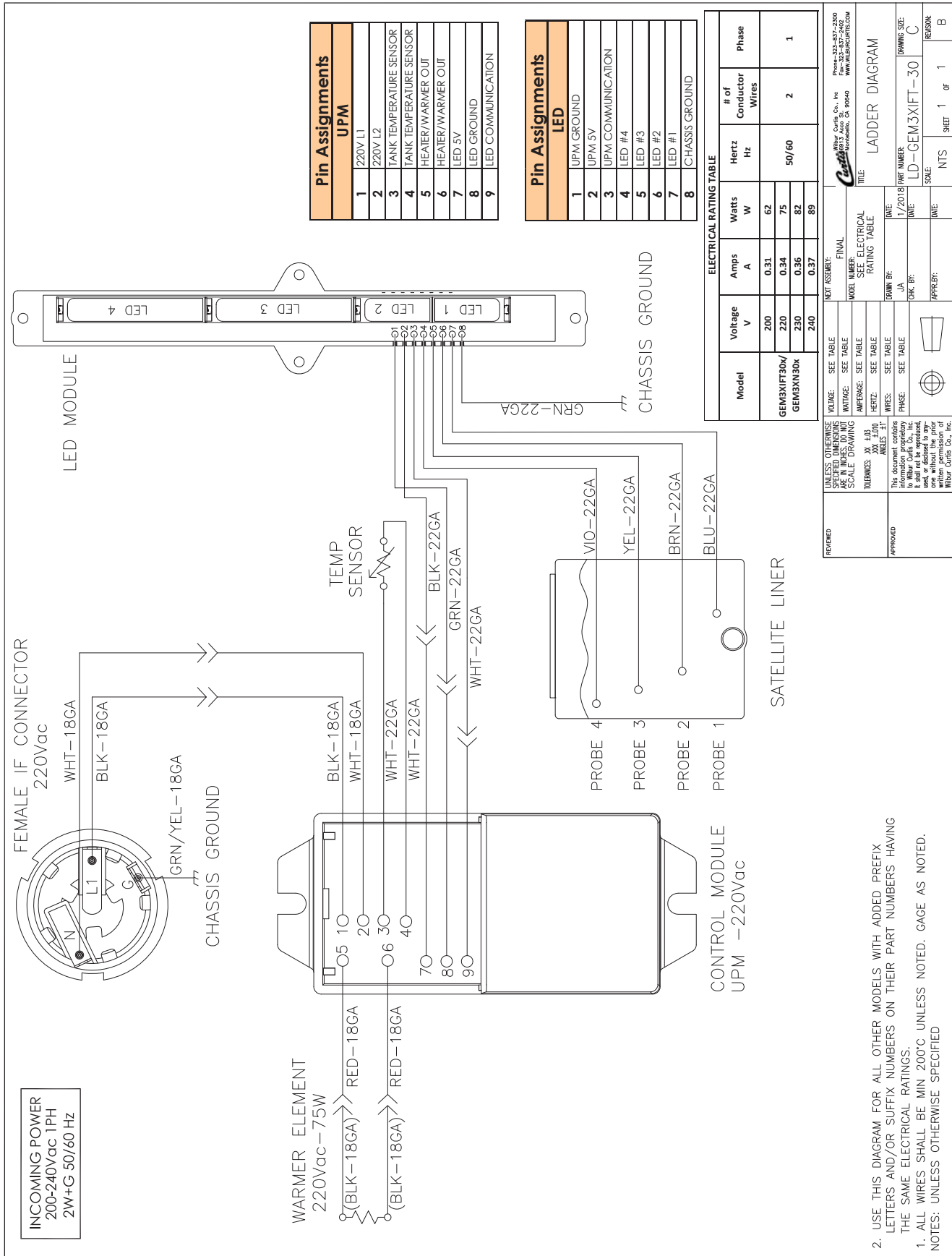


GEM3XIFT



2. USE THIS DIAGRAM FOR ALL OTHER MODELS WITH ADDED PREFIX LETTERS AND/OR SUFFIX NUMBERS ON THEIR PART NUMBERS HAVING THE SAME ELECTRICAL RATINGS.
1. ALL WIRES SHALL BE MIN 200°C. UNLESS NOTED. GAGE AS NOTED. NOTES: UNLESS OTHERWISE SPECIFIED

GEM3XIFT30



**WARNING:**

**Electric Shock Hazard** - the following procedures are to be performed only by a qualified service technician. Turn off power when replacing components. Neither Wilbur Curtis Co., Inc. nor the seller can be held responsible for the interpretation of this information, or any liability in connection with its use.

**Scald and Burn Hazard** - keep body parts clear of hot surfaces during troubleshooting.



**IMPORTANT:** If it is necessary to replace the G4 universal power module (UPM), always check all inlet, dump (brew), bypass\* and dilution\* valve coils for a short and replace the valve as necessary, before replacing the module. See the **Valve Test Procedure**, below to test for defective valves. \*Some units do not have this function, see the ELECTRICAL SCHEMATIC.

**Troubleshooting Guidelines**

- If an error message appears on the display, consult the ERROR CODES section before troubleshooting.
- A brewer that is not level may not function properly. Make sure the brewer is properly leveled before proceeding.
- This troubleshooting guide identifies some, but not all, of the possible causes for common problems that can occur.
- Use this troubleshooting guide along with the appropriate ELECTRICAL SCHEMATIC.

**Valve Test Procedure**

Use a digital multi-meter to measure the resistance of valve coils.

Measure the resistance across the valve coil terminals with the wiring harness disconnected. Reverse the meter leads on the terminals and measure the resistance in the opposite direction. A resistance of less than 100 ohms, in either direction, indicates a shorted coil. The valve must be replaced.

If a shorted coil is not detected, test for an open coil:

- 1 Reconnect the valve terminals to the wiring harness.
- 2 Power up the brewer and test the valve using the diagnostics in section TG11.

**Water Not Hot Enough**

- 1 If the water heats, but is not hot enough, first check for the correct temperature setting on the control panel. Reprogram as necessary.
- 2 If the temperature setting is OK, and the actual water temperature does not match setting on the control panel, replace the temperature sensor.

**Water Heats More Slowly Than Usual**

- 1 Check for power across the terminals of the heating element(s). If power is being supplied, disconnect the heating element(s) and check for continuity. Replace a heating element if the resistance is too high (nominal resistance is 13 Ohms).
- 2 If there is no power to the heating element(s), check the wiring to any element that does not have the proper voltage across it. Also check for corroded connections anywhere between the power cord and the heating element(s).

**Dispenser Overflows During Brewing**

- 1 Check to make sure the control module (UCM) brew, bypass\* and dilution\* levels are set properly.
- 2 Check for a missing spray head. Replace as needed.
- 3 Make sure the dispenser is empty before starting the brew cycle. If not, empty it before brewing.

\*Some units do not have this function, see the ELECTRICAL SCHEMATIC.

### No Power - Display Not Lit

- 1 Make sure the circuit breaker to the circuit supplying power to the brewer is not tripped and is turned on.
- 2 On brewers with a power plug, make sure it is connected to the power receptacle.
- 3 Make sure that the main power toggle switch on the back panel is turned ON.
- 4 Verify that all wires from the power cord are properly connected inside the unit. Check to make sure the wires are not burned/overheated. Check chassis ground.
- 5 Check the low voltage input to the universal control module (UCM) from the transformer (see the ELECTRICAL SCHEMATIC). If there is power into the UCM, but the display is blank, the UCM is probably bad.
- 6 If there is no power into the UCM, trace the circuit back (using the wiring diagram) to the power cord to find out where power is lost. If there is power into the thermostat reset switch, but not out, see step 7.
- 7 If there is power into the thermostat reset switch, but not out, check to make sure that the water tank is not empty. If the tank is empty, the reset switch has probably opened up due to a low water level, go to **Water Tank Does Not Fill**. If there is water in the tank, but no power out, push in on the reset switch button to see if it restores power. If power is restored, check to make sure that the switch is not opening up at the wrong temperature (the switch should not open up at normal water temperatures). If there is still no power through the switch after pushing the button, replace the thermostat reset switch.

### Brewer Does Not Start When Brew Button is Pressed

- 1 If **Brewing** appears on the display, check for faulty wiring and connections between the universal power module (UPM) and the valves.
- 2 If **Brewing** does not appear on the display, check for a faulty universal control module (UCM) or universal power module (UPM).

### Sensor Error Message

This error indicates a malfunction (open circuit) in the temperature sensor system. Once the malfunction is corrected, the error message must be cleared. To reset the brewer and return to normal operation, turn the toggle switch on the back of the brewer to the OFF position for 5 seconds, then back ON.

- 1 Check the resistance across the leads of the temperature sensor while it is disconnected from the universal power module (UPM). If an open circuit is measured (resistance above 200 k), replace the sensor.
- 2 If the sensor resistance is less than 200 k check the sensor wires for corrosion and reconnect them to the UPM. Afterward, if the error message comes back after resetting the control and power modules, replace the UPM.

### Water Tank Overfills

- 1 Turn the toggle switch on the back of the brewer ON and OFF. If water continues to flow when the switch is in both positions, replace the inlet valve.
- 2 If water stop flowing to the water tank when the toggle switch is turned OFF and continues when the switch is turned back ON, remove the orange wire from the water probe on the tank. While power is ON, short the end of the orange wire to the metal surface on the outside of the tank. If the water tank stops filling when the orange wire is shorted to the tank, check for a corroded connection at the water probe.
- 3 If water does not stop flowing when the orange wire is shorted to the tank, check the tank ground connection and the continuity of the orange wire connecting to the universal power module (UPM). If both are OK, replace the UPM.

## Water Tank Does Not Fill



**IMPORTANT:** No water or low water in the tank can cause the tank to overheat, resulting in the thermostat reset switch opening. If after correcting a tank fill problem there is no power to the control panel, push the reset switch button to reset.

- 1 Check to make sure the water supply is turned on. Check for a plugged water supply line or plugged inlet valve.
- 2 If there are no plugs in the water supply line, check for power across the inlet valve terminals. If power is being supplied, but there is no water flow, replace the inlet valve.
- 3 If power is not being supplied to the inlet valve, check the wires between the universal power module (UPM) and the inlet valve. Check for corroded connections.
- 4 If the wiring between the UPM and the inlet valve is OK, but there is no power to the inlet valve, remove the orange wire from the water tank probe. If the water tank starts to fill, replace the water probe. If the water tank does not start to fill, replace the UPM.

## Coffee/Tea Too Strong

See *Dispenser Not Filled To Normal Level During Brewing*.

## Dispenser Not Filled To Normal Level During Brewing

- 1 Check to make sure that the universal control module (UCM) brew, bypass\* and dilution\* levels are set properly.
- 2 Check to make sure that the flow rate and water pressure from the water supply line meet the minimum specifications for the brewer. See the SPECIFICATIONS section.
- 3 Check to make sure that the spray head is clean and free of debris. Clean or replace as needed. Also make sure that the spray head is correctly aligned and that the tubing is routed properly to allow for maximum water flow (no kinks).
- 4 Remove the brew basket and place a large container under the dump (brew) and dilution outlet points. Run a brew cycle and confirm that the dump (brew) valve, bypass\* valve and dilution\* valve open during the brew cycle. Check for flow through any exit point that is slow or non-existent. Not all valves open at the same time. If flow is restricted, check for obstructions in the related tubing or valve. If there are no obstructions, but flow through one particular valve is slow, it can be assumed that the particular valve is not opening all the way and should be replaced. If water does not flow at all through a particular valve during the brew cycle, check to make sure that power is being supplied to the valve in question. Replace any valve that is not opening when power is applied to the terminals. If power is not being supplied to the valve, check the wiring between the valve and the universal power module (UPM). If the wiring is OK, replace the UPM.

\*Some units do not have this function, see the ELECTRICAL SCHEMATIC.

## Dispenser Overflows All Of The Time

- 1 Check to see if water continues to flow from the spray head, the bypass\* outlet or the dilution\* spout when the toggle switch is turned OFF. Replace any valve that is stuck open.  
\*Some units do not have this function, see the ELECTRICAL SCHEMATIC.
- 2 If one or more of the valves mentioned in step 1 turns on when the toggle switch on the back is ON and turns off when the switch is OFF, replace the universal power module (UPM).

**No Water/Tea Flows From Brewer During Brewing**

- 1 Make sure that the water supply is turned on.
- 2 Check to see if the water in the tank is level with the water tank probe? If not, see *Water Tank Does Not Fill*.
- 3 If the water tank is full, the water is hot and power is on, but NO water flows during a brew cycle, the problem is usually a bad universal power module (UPM). Run a brew cycle and check for power from the UPM to the dump (brew), bypass\* and dilution\* valves. If there is no power output, replace the UPM.  
\*Some units do not have this function, see the ELECTRICAL SCHEMATIC.

**Low Water Flow Warning**

See *Water Level Error Message*.

**Water Level Error Message**

Water level fill error or overflow. This error message occurs when the inlet valve solenoid has been on too long during initial fill or tank refill, See the ERROR CODES section for the maximum times allowed. Once the malfunction is corrected, the error message must be cleared. To reset the unit and return to normal operation, turn the toggle switch on the back of the brewer to the OFF position for 5 seconds, then back ON.

- 1 Check to make sure that the flow rate from the water supply line meets the minimum flow rate specifications for the brewer. Also check the water pressure. See the SPECIFICATIONS section.
- 2 Check for blockage at the inlet valve inlet or outlet. Check for blockage in the tubing between the inlet valve and the water tank.
- 3 Check the water probe wire for an open condition or corroded connections.
- 4 If the probe connections are OK, cycle power to the unit by turning the rear toggle switch OFF, then ON. Check to see if power is applied to the inlet valve terminals. If power is applied to the terminals, but there is not water flow, replace the inlet valve.
- 5 Check for power from the universal power module (UPM) to the inlet valve. If the wiring is OK, replace the UPM.

**“Internal Error 1” Message on Display**

Check the wiring harness that connects from pins 4, 9 and 11 of the 14-pin connector on the universal power module (UPM) to pins 2, 3 and 6 of the 8-pin connector on the universal control module (UCM).

**“Internal Error 2” Message on Display**

The universal power module (UPM) and universal control module (UCM) have a mismatch in their settings. A firmware update is needed. See *PROGRAMMING GUIDE*.



### Water Does Not Heat At All

- Check to see if the water level in the tank is in contact with the water level probe. If not, see *Tank Does Not Fill*. The water will not heat unless it is in contact with the probe.
- If the water heats, but is not hot enough, see *Water Not Hot Enough*.
- If **Ready to brew** appears on the display, but the water is not hot, check the resistance across the leads of the temperature sensor. If the resistance is less than 10 k and the water is not hot, replace the temperature sensor. If the sensor resistance is above 10 k when the water is cool, replace the universal power module (UPM).

If **Heating...** appears on the display, but the water is not hot, follow the steps below. The following steps are performed with the rear toggle switch in the ON position.

- 1 Check for power across the terminals of the heating element(s). If power is being supplied, remove the wires and check for an open heating element.
- 2 If there is no power to the element(s), trace the circuit back (using the ELECTRICAL SCHEMATIC) to the power cord to find out where power is lost. If there is power into the solid state relay(s) (SSRs) but not out, see the following step. On units having two SSRs, be sure to check both.
- 3 If there is power into a SSR, but not out, check for 5 Vdc (nominal\*) across the + and - pins of the SSR(s). If there is 5 Vdc across the + and - pins of the SSR(s), but no (or low) output voltage at a SSR output terminal, replace the SSR. If 5 Vdc is not being supplied from the UPM, but **Heating...** appears on the display, check the wiring from the UPM to the SSR(s). If the wiring is OK, replace the UPM.

### Water Too Hot (Boiling or Excessive Steaming)



**IMPORTANT:** Before proceeding, make sure that the control panel temperature is adjusted to compensate for higher elevations. The factory setting is 200°F. Reduce the temperature setting two degrees for every 1000 feet of elevation above 4000 feet.

- 1 If **Over Temp Sensor** or **Ready to Brew** appears on the display and the water is too hot, go to *Over Temp Sensor Error Message*.
- 2 If the display reads **Heating** constantly, first check to make sure that the temperature sensor is attached tightly to the tank and that heat sink compound was used. A properly mounted sensor should have a resistance of around 7 k when the water is hot. If not, replace the sensor.
- 3 Check to see if the universal power module (UPM) constantly has +5 Vdc (nominal) output to the solid state relay (SSR), regardless of the resistance of the temperature sensor. If so, the UPM is probably bad.
- 4 If the UPM is working properly, check for a shorted SSR.

### Over Temp Sensor Error Message

This error message indicates that the universal control module (UCM) has detected a water overheating problem. The universal power module (UPM) is reading a water temperature in the tank above 210°F. If the water temperature is too hot, but **Heating...** appears on the display, see *Water Too Hot*. Once the malfunction causing the error is corrected, the error message must be cleared. To reset the brewer and return to normal operation, turn the toggle switch on the back of the brewer to the OFF position for 5 seconds, then back on.

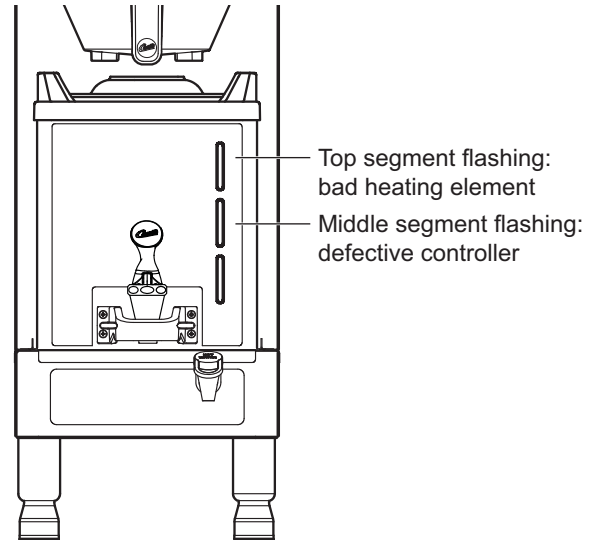
- 1 Check for 5 Vdc (nominal) across the + and - pins of the solid state relay (SSRs). If no power is applied to the SSR and the heating elements are always on, replace the SSR. On units having two SSRs, check both.
- 2 Turn off power to the brewer and allow the water tank to cool. Once cool, turn power back on while monitoring the voltage across the + and - pins of the SSR(s). During normal operation, the voltage should be 5 Vdc, until the water is hot, then drop to below 1 Vdc. The universal power module (UPM) should be replaced if the voltage reads 5 Vdc constantly even though **Ready to brew** or **Over Temp Sensor** appears on the display.
- 3 If the UPM is operating normally, check for a false over-temp error caused by the temperature sensor. Check the resistance across the leads of the temperature sensor. If the resistance is less than 10 k when the water is cool, replace the temperature sensor.



### Dispenser Does Not Heat

**NOTE:** The dispenser heating element is designed to keep brewed coffee hot, but is not of sufficient wattage to reheat cold coffee.

- 1 First check to see if one of the LED bars on the dispenser is flashing an error code. The top LED bar flashing red indicates a bad heating element. The middle LED bar flashing red indicates a defective sensor circuit on the controller (replace the controller).
- 2 Check to see if the Intellifresh® LED on the front of the dispenser comes on at the beginning of the brew cycle. If neither the LED nor the warmer come on, then it can be assumed that there is no power to the dispenser. Make sure that power is being supplied to the Intellifresh (IF) connector on the brewer when the BREW button is pressed. The voltage varies based on the model, see the *ELECTRICAL SCHEMATIC*. If power is present at the connector, check the connector contacts. If power is not present at the IF connector, trace the circuit back to the control module to see if it is supplying power to the IF connector.
- 3 Check the contacts on the dispenser IF connector to make sure that they are making good contact with the connector on the brewer.
- 4 If the dispenser is receiving power from the IF connector and there are no error codes, suspect the controller.



### None of the LED Bars Light, Regardless of Coffee Level (Warmer is Working OK)

**NOTE:** If the dispenser is empty, the LED bars will not light.

- 1 Check for chassis ground, UPM ground and UPM 5 Volts into the LED array (see LED pin assignment on dispenser schematic).
- 2 If power and ground are being supplied to the LED array and none of the LED sections come on when the dispenser is full, the LED array is probably bad.

### Some LED Bars Do Not Light

Short the probe wire for the LED section that is not working to ground. If the section lights, check the probe connection. If the section does not light, the LED array is bad.

### One or More LED Bars are Constantly On Regardless of Coffee Level

- 1 Clean the inside of the dispenser according to the *CLEANING INSTRUCTIONS* section to remove any residue build-up that may be causing a malfunction.
- 2 Check for a probe wire that is shorted to ground.
- 3 If the probe wires are OK, suspect the LED array.

### IntelliFresh Feature Does Not Work (Warmer OK)

- 1 Check to make sure that the UCM IntelliFresh settings on the brewer are correct.
- 2 Check the continuity of the UPM/LED communication wire.
- 3 Replace the LED module. If the IntelliFresh feature does not work properly after replacing the LED module, the dispenser UPM module is probably bad.

**Overview**

The G4 control module diagnostics can be used to detect electrical circuit failures in the brewer. When a circuit failure is identified, the individual components and wiring in the circuit must be checked to determine the exact cause of the failure using the ELECTRICAL SCHEMATIC. If a failure is not detected using the diagnostics, troubleshoot the problem according to the symptoms listed in other sections of this TROUBLESHOOTING GUIDE.

The diagnostics can also be used to help diagnose certain mechanical failures. See the following steps.

**Using the Diagnostics**

- 1 Enter programming mode by tapping the (white) Curtis logo on the touchscreen five (5) times.
- 2 Enter the access code, then press **OK** (the default code is 1 2 3 4).
- 3 The **MAIN MENU** screen will appear. Press **Control Settings**.
- 4 Press **Diagnostics**. When prompted, place an empty container under the brew basket, then press **OK**.
- 5 Press a button to test the desired circuit or **Auto Test** to test all circuits. If a button is highlighted green the circuit has passed the (electrical) test. If the button is highlighted red, the circuit has failed the test.

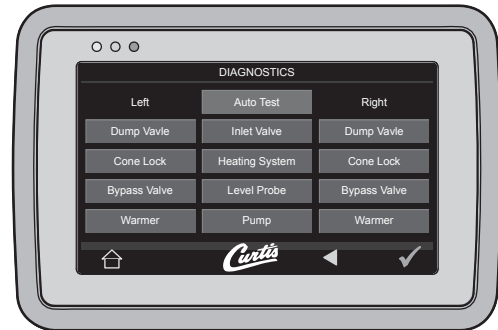
If the circuit tested fails, check to make sure that power is being supplied to the component during normal operation. If power is supplied, and it does not operate, replace the component. If power is not being supplied, check the wiring and the UPM.

If a valve circuit passes the test, check for a mechanical failure by listening for the valve to “click” when the test button is pressed. To check for a failed pump, run a brew cycle and check for fluid flow through the pump.

Display view varies with model



Curtis logo



Diagnostics Screen

Button layout varies based on model

**Warning Messages - Allows Brewer to Continue Brewing**

| MESSAGE DISPLAY        | WARNING DESCRIPTION                        | CAUSE   |
|------------------------|--|---|
| Maintenance Required   | Maintenance Required                       | Brew count "Gallons Since Reset" exceeds programmed preventative maintenance period.  |
| Low Water Flow Warning | Low Water Flow                             | If the Inlet valve remains on longer than XX seconds (during the brew cycle only) and repeats TWICE during that brew cycle. It shall clear upon the next brew and if the same low flow exists again, it will re-appear. XX = Alpha 20 secs; Gem/TP Twin 40 secs; Gem/TP Single 30 secs. |
| Internal Error 2       | UPM-UCM have a mismatch in their settings. | UPM-UCM have a mismatch in their settings, firmware update needed.  |

**Error Messages - Brewer Will Stop Brewing**

| MESSAGE DISPLAY   | ERROR DESCRIPTION       | CAUSE  |
|-------------------|-------------------------|--|
| Water Level Error | Fill run error/Overflow | The water inlet valve has either been open for more than 10 minutes on the initial tank fill or has been open for 120 seconds on large brewers and 30 seconds on CGC, Seraphim® tea, or combo brewers in normal operation. |
| Sensor Error      | Open Sensor             | Break in the temperature thermistor circuit or short circuit.  |
| Over Temp. Error* | Excess Temperature      | The sensor is reading that the temperature in the heating tank has risen above 210°F, or the sensor has shorted to ground.   |
| Internal Error 1  | UPM-UCM Communication   | Break in the UPM-UCM communication circuit.  |

\* This error is disabled on CGC and Seraphim® models.

**Configuration Error Message - Brewer Will Not Function Properly**

| MESSAGE DISPLAY     | ERROR DESCRIPTION  | CAUSE  |
|---------------------|--|--|
| Configuration Error | UPM software revision does not support the model selected. | The universal power module (UPM) has an old software version and is not compatible with the brewer model in which it has been installed. |

Wilbur Curtis Co., Inc. certifies that its products are free from defects in material and workmanship under normal use. The following limited warranties and conditions apply:

- 3 years, parts and labor, from original date of purchase on digital control boards
- 2 years, parts, from original date of purchase on all other electrical components, fittings and tubing
- 1 year, labor, from original date of purchase on all other electrical components, fittings and tubing

Additionally, Wilbur Curtis Co., Inc. warrants its grinding burrs for four (4) years from the date of purchase. Stainless steel components are warranted for two (2) years from the date of purchase against leaking or pitting. Replacement parts are warranted for ninety (90) days from the date of purchase or for the remainder of the limited warranty period of the equipment in which the component is installed.

All in-warranty service calls must have prior authorization. For authorization, call the Technical Support Department at 800-995-0417. Additional conditions may apply. Go to [www.wilburcurtis.com](http://www.wilburcurtis.com) to view the full product warranty information.

## CONDITIONS & EXCEPTIONS

The warranty covers original equipment at time of purchase only. Wilbur Curtis Co., Inc., assumes no responsibility for substitute replacement parts installed on Curtis equipment that have not been purchased from Wilbur Curtis Co., Inc. Wilbur Curtis Co., Inc. will not accept any responsibility if the following conditions are not met. The warranty does not cover:

- **Adjustments and cleaning:** *The resetting of safety thermostats and circuit breakers, programming and temperature adjustments are the responsibility of the equipment owner. The owner is responsible for proper cleaning and regular maintenance of this equipment.*
- **Replacement of items subject to normal use and wear:** *This shall include, but is not limited to, spray heads, faucets, light bulbs, shear disks, "O" rings, gaskets, silicone tubing, silicone elbows, canister assemblies, whipper chambers and plates, mixing bowls, agitation assemblies and whipper propellers.*

The warranty is void under the following circumstances:

- **Improper operation of equipment:** *The equipment must be used for its designed and intended purpose and function.*
- **Improper installation of equipment:** *This equipment must be installed by a professional technician and must comply with all local electrical, mechanical and plumbing codes.*
- **Improper voltage:** *Equipment must be installed at the voltage stated on the serial plate supplied with this equipment.*
- **Improper water supply:** *This includes, but is not limited to, excessive or low water pressure and inadequate or fluctuating water flow rate.*
- **Damaged in transit:** *Equipment damaged in transit is the responsibility of the freight company and a claim should be made with the carrier.*
- **Abuse or neglect (including failure to periodically clean or remove lime accumulations):** *The manufacturer is not responsible for variation in equipment operation due to excessive lime or local water conditions. The equipment must be maintained according to the manufacturer's recommendations.*
- **Unauthorized repair or modification:** *This equipment must be serviced only by qualified service technicians, using factory specified parts to factory specifications.*
- **Modified/Missing Serial Tag:** *The serial number label (tag) must not be defaced or removed.*

**Repairs and/or Replacements** are subject to Curtis' decision that the workmanship or parts were faulty and the defects showed up under normal use. All labor shall be performed during regular working hours. Overtime charges are the responsibility of the owner. Charges incurred by delays, waiting time, or operating restrictions that hinder the service technician's ability to perform service is the responsibility of the owner of the equipment. This includes institutional and correctional facilities. Wilbur Curtis Co., Inc. will allow up to 100 miles, round trip, per in-warranty service call.

**Return Merchandise Authorization (RMA):** All claims under this warranty must be submitted to the Wilbur Curtis Technical Support Department prior to performing any repair work or return of this equipment to the factory. **All returned equipment must be properly re-packaged in the original carton and received by Curtis within 45 days following the issuance of a RMA.** No units will be accepted if they are damaged in transit due to improper packaging. **NO UNITS OR PARTS WILL BE ACCEPTED WITHOUT A RETURN MERCHANDISE AUTHORIZATION (RMA). THE RMA NUMBER MUST BE MARKED ON THE CARTON OR SHIPPING LABEL. All warranty claims must be submitted within 60 days of service. Invoices will not be processed or accepted without a RMA number. Any defective parts must be returned in order for warranty invoices to be processed and approved.** All in-warranty service calls must be performed by an authorized service agent. Call the Wilbur Curtis Technical Support Department to find an agent near you.